

## PRODUCT SPECIFICATIONS

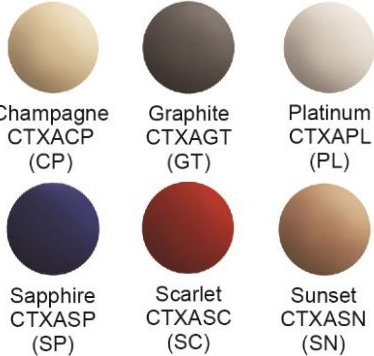
Elkay Crosstown® Stainless Steel 33-7/8" x 17" x 9" Double Bowl Farmhouse Sink for Interchangeable Apron. Sink is manufactured from 16 gauge 304 Stainless Steel with a Polished Satin finish, Rear Center drain placement, and Sound Guard. Interchangeable Aprons are sold separately.

<b>Installation Type:</b>	Apron Front
<b>Material:</b>	304 Stainless Steel
<b>Special Features:</b>	Interchangeable Apron
<b>Finish:</b>	Polished Satin
<b>Gauge:</b>	16
<b>Sound Deadening:</b>	Sound Guard
<b>Number of Bowls:</b>	2
<b>Sink Dimensions:</b>	35-7/8" x 20-5/16" x 9"
<b>Bowl 1 Dimensions:</b>	16-7/16" x 17" x 9"
<b>Bowl 2 Dimensions:</b>	16-7/16" x 17" x 9"
<b>Drain Size:</b>	3-1/2" (89mm)
<b>Drain Location:</b>	Rear Center
<b>Minimum Cabinet Size:</b>	36"
<b>Mounting Hardware:</b>	Part # 54300008 included

**Special Note:** Apron(s) for Crosstown Farmhouse Sink with Interchangeable Apron feature sold separately.

## Interchangeable Apron Color Options (sold separately)

### Stainless Steel:



### Fireclay:



\*Apron sold separately.

## AMERICAN PRIDE. A LIFETIME TRADITION.

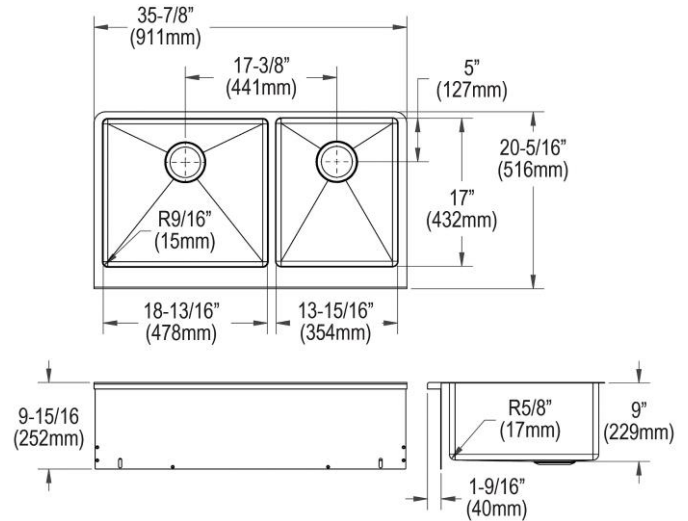
Like your family, the Elkay family has values and traditions that endure. For almost a century, Elkay has been a family-owned and operated company, providing thousands of jobs that support our families and communities.

## Product Compliance: ASME A112.19.3/CSA B45.4



Sinks are listed by IAPMO® as meeting the applicable requirements of the Uniform Plumbing Code®, International Plumbing Code®, and National Plumbing Code of Canada.

[Clean and Care Manual \(PDF\)](#)  
[Installation Instructions \(PDF\)](#)  
[Warranty \(PDF\)](#)



PART: \_\_\_\_\_ QTY: \_\_\_\_\_

PROJECT: \_\_\_\_\_

CONTACT: \_\_\_\_\_

DATE: \_\_\_\_\_

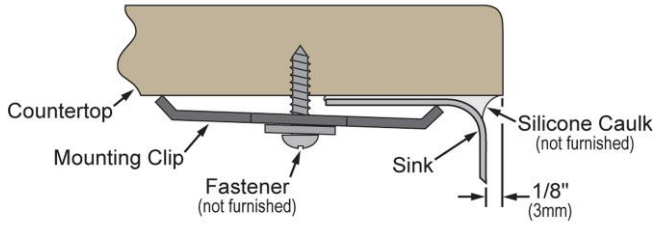
NOTES: \_\_\_\_\_

APPROVAL: \_\_\_\_\_

*In keeping with our policy of continuing product improvement, Elkay reserves the right to change product specifications without notice. Please visit [elkay.com](http://elkay.com) for the most current version of Elkay product specification sheets. This specification describes an Elkay product with design, quality, and functional benefits to the user. When making a comparison of other producers' offerings, be certain these features are not overlooked.*

#### Installation Profile:

1/8" OVERHANG



Designed to affix to the underside of any solid surface countertop.

#### OPTIONAL ACCESSORIES

Bottom Grid:	CTXFBG1816, CTXFBG1316
Drain:	LKDD, LK99S, LK35
Faucet:	LKAV4061, LKEC2031, LKEC2037, LKAV4032

In keeping with our policy of continuing product improvement, Elkay reserves the right to change product specifications without notice. Please visit [elkay.com](http://elkay.com) for the most current version of Elkay product specification sheets. This specification describes an Elkay product with design, quality, and functional benefits to the user. When making a comparison of other producers' offerings, be certain these features are not overlooked.