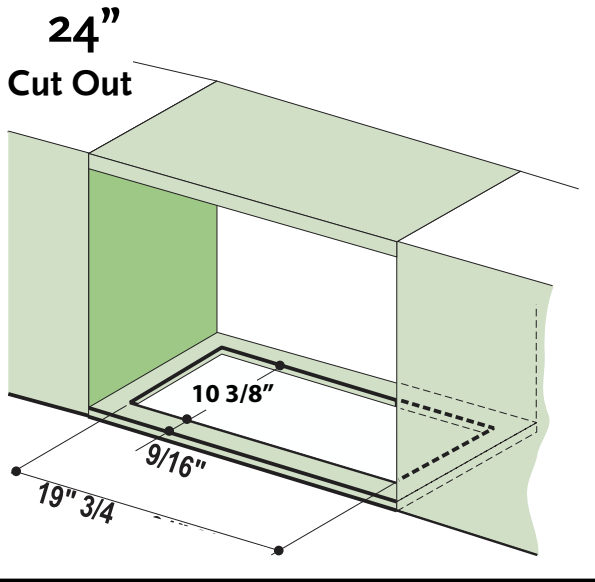
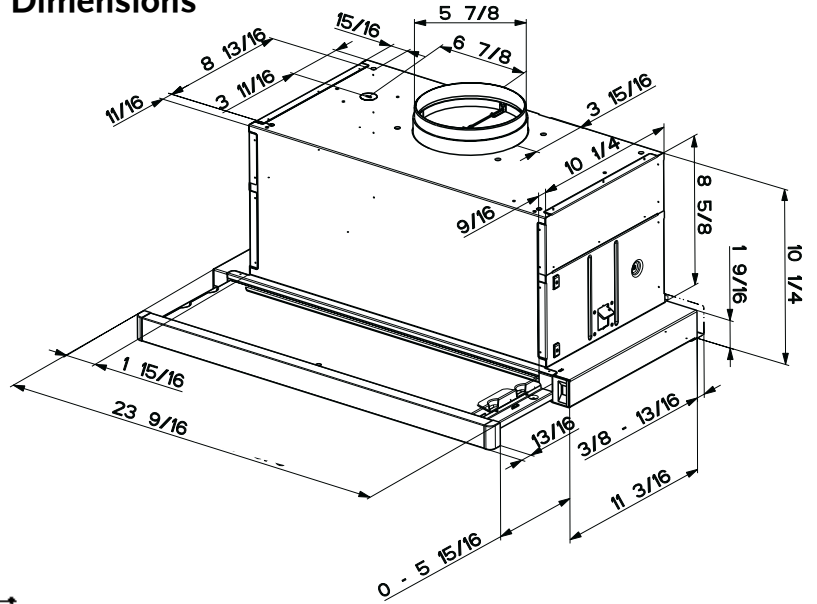


CRIS24SS

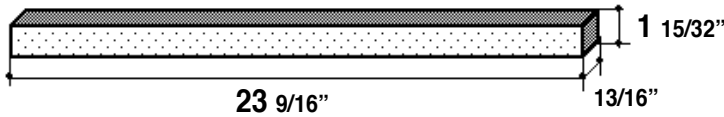
Dimensional Diagrams 24" (see installation instructions for more information)



24" Product Dimensions



Custom Front Panel Dimensions



Feature Chart

Size / CFM	24" / 300 CFM
Cabinet Cut Out	19 3/4" (W) x 10 3/8" (D)
Convertible to Recirculating	Yes - charcoal kit required (#FILTER1)
Controls	3 Speed Slider
Lighting	2 X 20 (W) Halogen
Ducting Top	6" Round
Ducting Direct Rear Vent	N/A
Grease Filters (front and rear)	Yes - (2) dishwasher safe mesh filters
Auto On / Off	Yes - fan / lights on w/ pull out
Integrate front panel	Yes - Use your own custom front
Stainless Steel Front Panel	Yes
Make Up Air Compliant	Yes - 300 cfm
Built In Mounting Hardware	Yes - EasySnap Mounting Clips
AC Input / AC Power	(120 V - 60 hz) / (Max 190 W at 1.8 A)
Green Energy Saver Mode	Yes
Annual Electricity Costs	\$2.35 / Year *



WARNING! Product specifications are subject to change without notification. Consult the installation instructions before you begin installing this range hood.