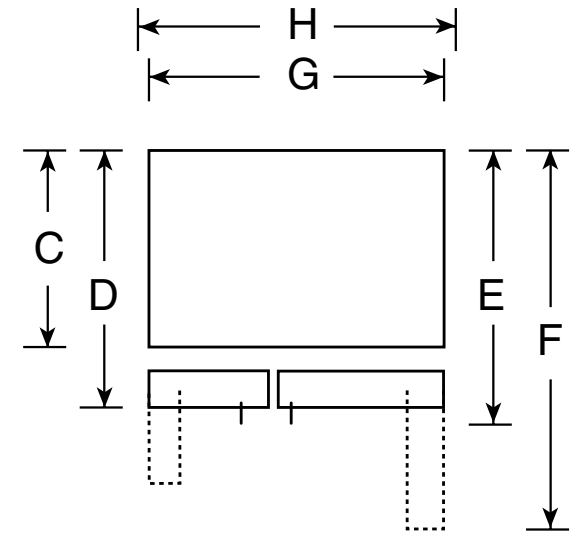
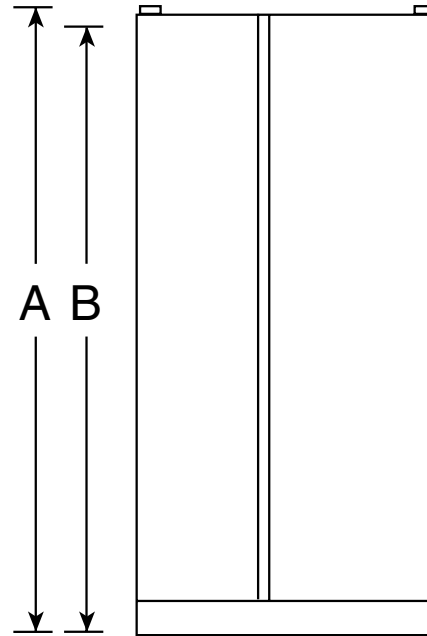


GSL22JGD

GE® ENERGY STAR® 21.9 Cu. Ft. CleanSteel™ Side-By-Side Refrigerator with Dispenser

Dimensions and Installation Information (in inches)

Overall Dimensions	Height to top of hinge (in.) A	67-1/2
	Height to top of case (in.) B	66-1/2
	Case depth without door (in.) C	28
	Case depth less door handle (in.) D	31-1/4
	Case depth with door handle (in.) E	33-5/8
	Depth with fresh food door open 90° (in.) F	49-3/8
	Width (in.) G	33-1/2
	Width with door open 90° inc. door handle (in.) H	36
Air	Each side (in.)	1/8
	Top (in.)	1
	Back (in.)	1



For answers to your Monogram,® GE Profile™ or GE® appliance questions, visit our website at geappliances.com or call GE Answer Center® service, 800.626.2000.



imagination at work



Listed by
Underwriters
Laboratories



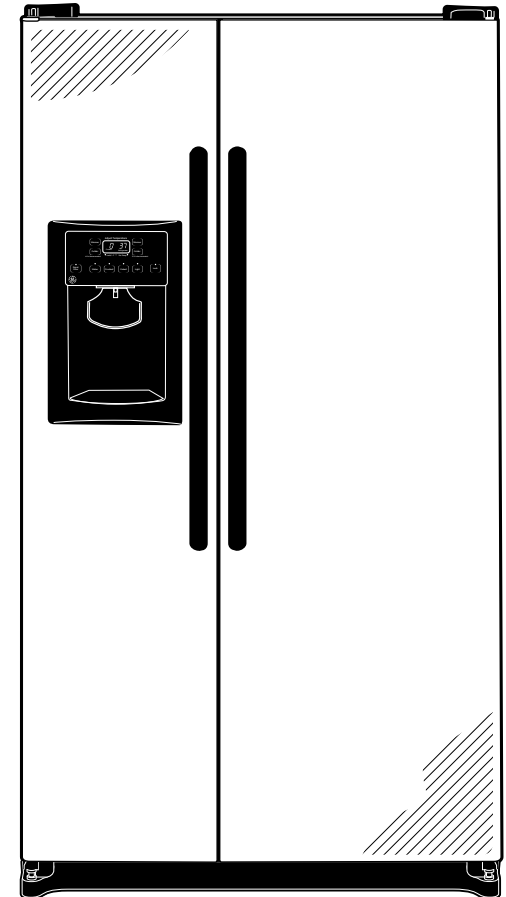
As an ENERGY STAR® partner, GE has determined that this product meets the ENERGY STAR guidelines for energy efficiency.

GSL22JGD

GE® ENERGY STAR® 21.9 Cu. Ft. CleanSteel™ Side-By-Side Refrigerator with Dispenser

Features and Benefits

- CleanSteel™ exterior - CleanSteel™ looks like stainless and resists fingerprints, smudges and smears
- ClimateGuard System - Monitors temperatures and adjusts cooling to help maintain freshness
- External temperature controls with child lock and UltraFlow64 - Adults can control the temperature and dispense 64 ounces of filtered water per minute
- Adjustable-humidity drawer - Adjustable humidity controls keep fresh produce fresh
- Adjustable-temperature drawer - Helps keep your favorite food items cold and ready to eat
- Snack drawer - Conveniently stores favorite foods and allows for quick, easy access
- Adjustable gallon door bins - Offers ideal space for storing gallon containers in the door
- Adjustable, slide-out spillproof glass shelves - Adjustable shelves are designed to make clean up quick and easy
- GE water filtration - six month filter - Removing impurities means fresh-tasting water for your family
- FrostGuard™ technology - Controlled defrosting keeps frozen foods from feeling the burn
- AutoEnergy saver - Senses door openings and adjusts refrigeration operation cycles accordingly
- NeverClean™ condenser - Sealed compartment keeps coils clean and simplifies maintenance
- Model GSL22JGDLS - CleanSteel™



imagination at work



As an ENERGY STAR® partner, GE has determined that this product meets the ENERGY STAR guidelines for energy efficiency.