

C1365C/B

FEATURES

Five elements and five bridging options accommodate widest possible variety of pan sizes

40% faster temperature response than gas or electric

Can be installed flush with countertop for smooth, continuous surface

Efficiently transfers heat, because energy is supplied directly to the cookware

Incredible cooking control, with lightning fast high heat and very low lows

Magnetic induction technology provides fast and perfectly distributed heat

Rigorously tested in our U.S. manufacturing facilities for decades of use

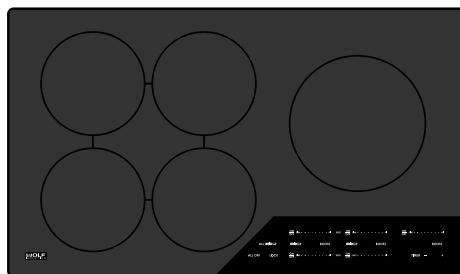
Exceptional 24/7 support from our Customer Care team in Madison

Cookware heats up fast, yet cooktop stays relatively cool for safety

Cookware sensing guards against hot burners being left on



TOP CONFIGURATION



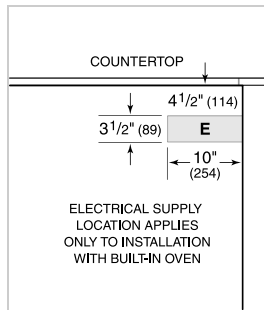
COOKTOP SPECIFICATIONS

- 2 - 2100 W Element
- 2 - 2100 W Element with 3000 W Boost
- 1 - 2600 W Element with 3700 W Boost

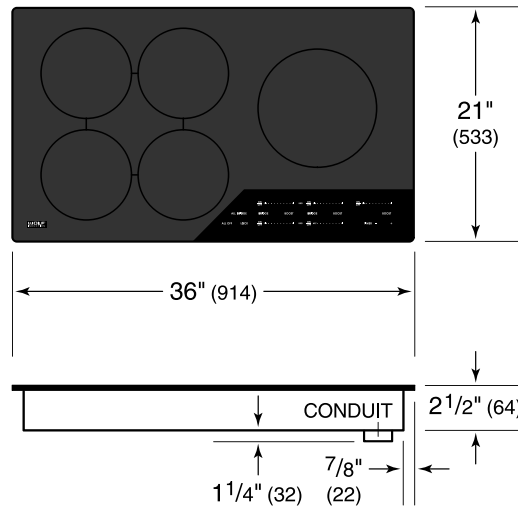
PRODUCT SPECIFICATIONS

Model	CI365C/B
Dimensions	36"W x 2 1/2"H x 21"D
Weight	61 lb
Electrical Supply	3-wire, 240/208 VAC, 60 Hz
Electrical Service	50 amp dedicated circuit
Conduit Length	4 feet

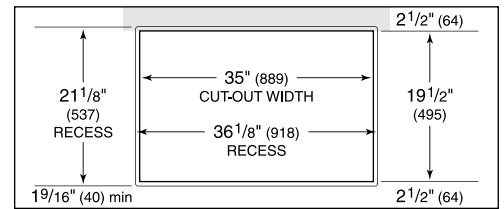
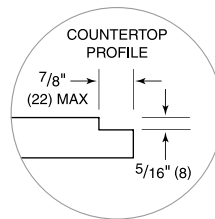
ELECTRICAL



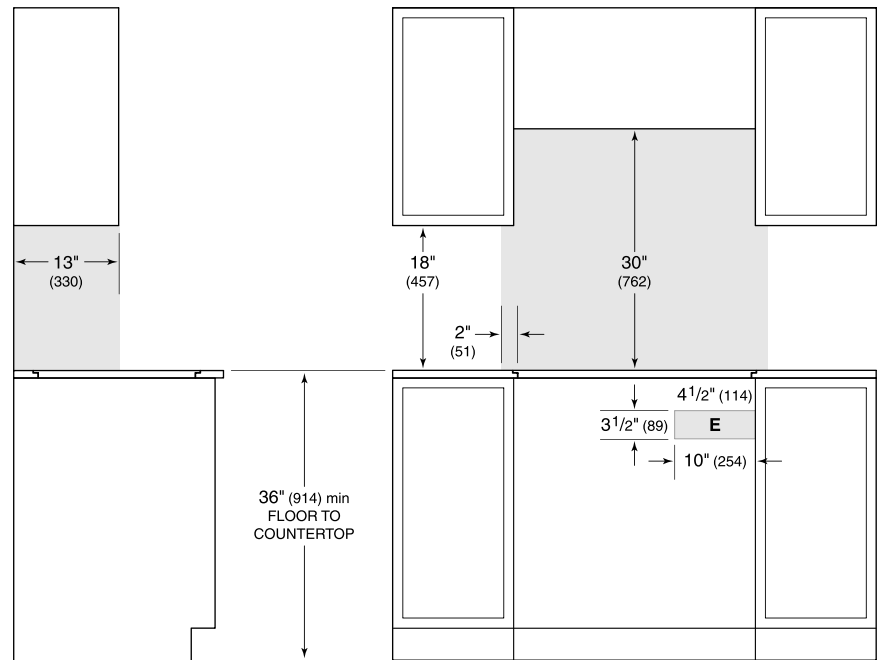
DIMENSIONS



FLUSH INSTALLATION



COUNTERTOP CUT-OUT



SIDE VIEW

FRONT VIEW

NOTE: Shaded area above countertop indicates minimum clearance to combustible surfaces, combustible materials cannot be located within this area. Electrical supply location only applies to installations with built-in oven. Outside corner radius 7/16" (11).