



Buy it for looks. Buy it for life.®

# Specifications

## FAUCET DESCRIPTION

- Metal construction with various finishes identified by suffix
- 1/2" IPS connections will accept standard ball nose connection for 3/8" tubing
- Includes matching traditional side spray

## OPERATION

- Lever style handles
- Maximum handle rotation angle is 90° to full on for either handle
- Hot side counterclockwise to open (clockwise to close)
- Cold side clockwise to open (counterclockwise to close)
- Will operate with less than 5 lbs. of force

## FLOW

- Aerator is limited to 2.2 gpm (8.3 L/min).

## CARTRIDGE

- 1224 cartridge design
- Nonmetallic, nonferrous and stainless steel material

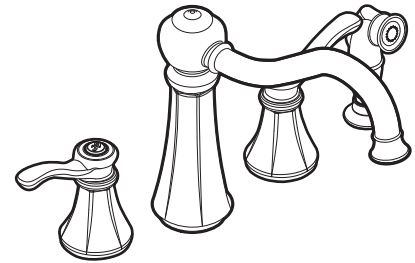
## STANDARDS

- Third party certified to CSA B-125.1, ASME A112.18.1 and all applicable requirements referenced therein including NSF61/9
- Contains no more than 0.25% weighted average lead content
- Complies with California Proposition 65 and with the Federal Safe Drinking Water Act

- ADA  for lever handles

## WARRANTY

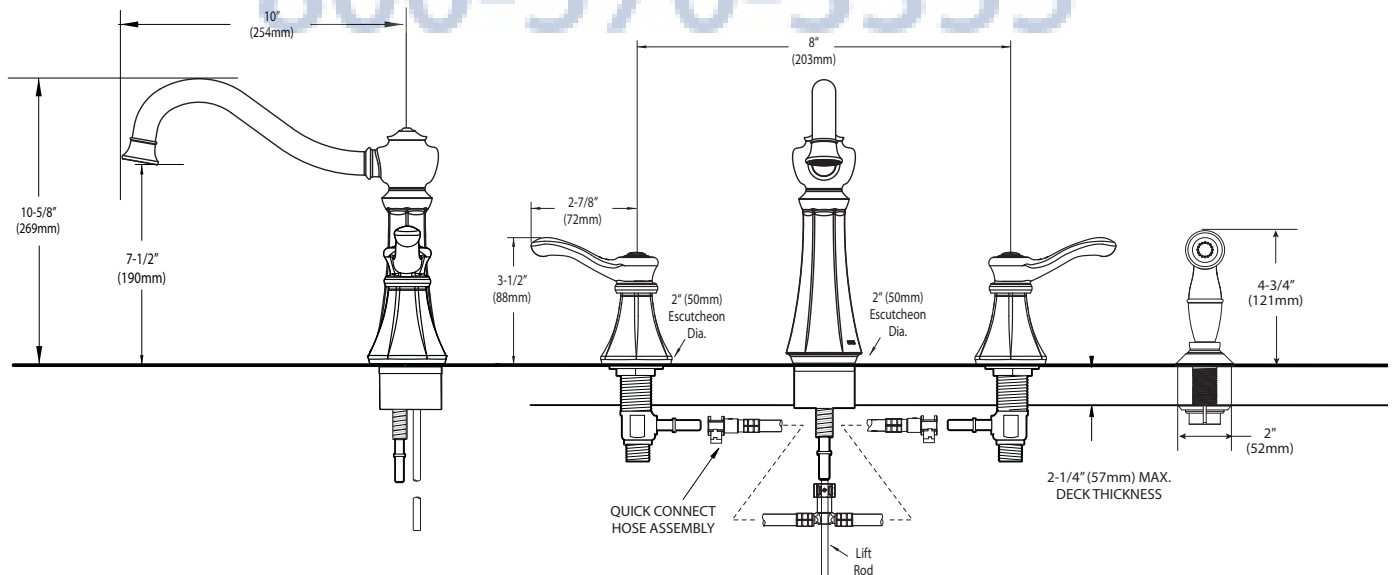
- Lifetime limited warranty against leaks, drips and finish defects to the original consumer purchaser
- 5 year warranty if used in commercial installations



## Vestige™ Two Handle Kitchen Faucet with Side Spray

Models: CA7068

Spout, Handle, & Hose Spray install through deck holes a minimum of 1-1/4" (32mm) in diameter.



## CRITICAL DIMENSIONS

(DO NOT SCALE)

FOR MORE INFORMATION CALL: 1-800-BUY-MOEN

www.moen.com

Rev. 8/09

Hydrolock® is a registered trademark of COOPER STANDARD AUTOMOTIVE INC.