



Buy it for looks. Buy it for life.®

Specifications

DESCRIPTION

- Metal construction with various finishes identified by suffix
- 1/2" IPS connections
- Includes waste assembly as noted

OPERATION

- Knob style handles
- Rotate either handle counterclockwise to open and clockwise to close

FLOW

- Flow is limited to 1.5 gpm max (5.7L/min) at 60 psi, for products made before October 2008 flow is limited to 2.2 gpm max (8.3 L/min)

CARTRIDGE

- 1224 cartridge design
- Nonmetallic and stainless steel material

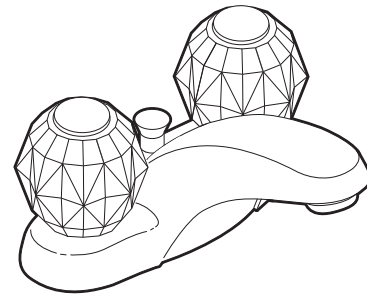
STANDARDS

- Third party certified to: WaterSense,® CSA B-125.1, ASME A112.18.1 and all applicable requirements referenced therein including NSF61/9
- Contains no more than 0.25% weighted average lead content
- Complies with California Proposition 65 and with the Federal Safe Water Drinking Act

WARRANTY

- Lifetime limited warranty against leaks, drips and finish defects to the original consumer purchaser
- 5 year warranty if used in commercial installations

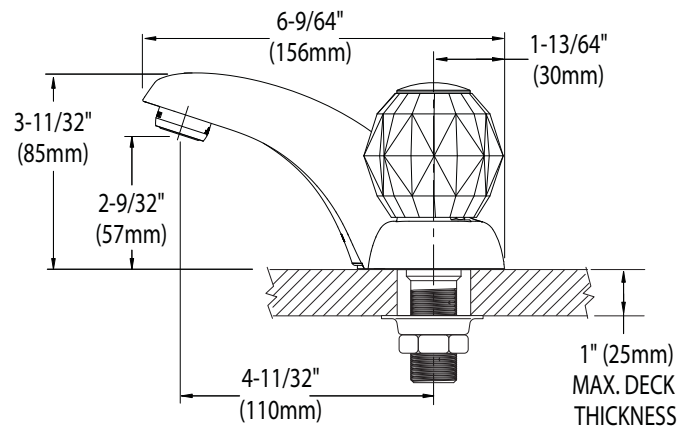
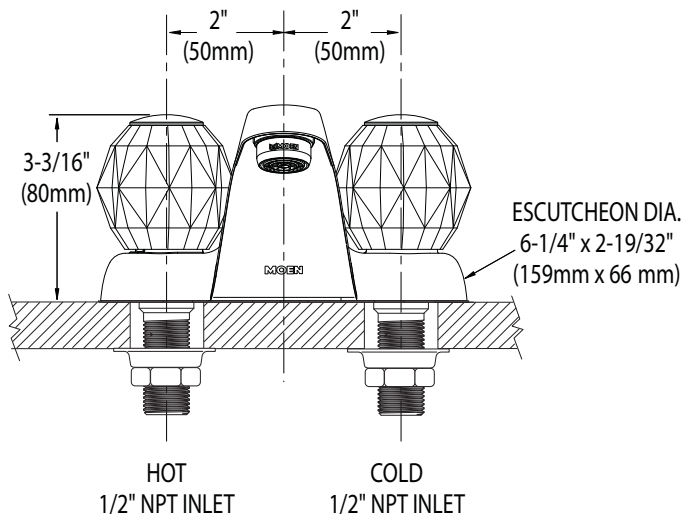
NOTE: 50/50 or metal waste assembly models are designed to be installed through 3 - 1" dia. holes 2" on center Models less waste assembly are designed to install through 2 - 1" min. dia. holes 4" on center



CHATEAU®
Two-Handle 4" Lavatory Faucet
With Metal Waste Assembly
Model: CA4920 series

With 50/50 Waste Assembly
Bulk Pack Model:
 CA64920 series, CA64919 series

Less Waste Assembly
Model: CA4900
Bulk Pack :
 CA64900



CRITICAL DIMENSIONS

(DO NOT SCALE)