

TABLE OF CONTENTS

IMPORTANT SAFETY INSTRUCTIONS	2
SAFETY PROCEDURES	3
PRECAUTIONS FOR RECEIVING AND STORING HOOD	3
<hr/>	
WALL HOODS	
INSTALLATION - REMOVABLE BACK PANEL	4,5
CFM300 - 6" ROUND COLLAR	6
CFM600 - 8" ROUND COLLAR	7
CFM600 - 8" TRANSITION	8
CFM1200 - 10" TRANSITION	9
ISLAND HOODS	
INSTALLATION	10
DUCT COVER INSTALLATION	11
DUCT WORK INSTALLATION	12
CFM600 - 8" TRANSITION	13
CFM1200 - 10" TRANSITION	14
REMOTE FAN - ROOF OR WALL MOUNTED	15
VOLUMETRIC FLOW RATE GRAPHS	16
<hr/>	
WIRING DIAGRAM - WALL AND ISLAND HOODS	17
HOOD FEATURES	18
BAFFLE FILTERS - GREASE TROUGHS - HALOGEN LIGHTS	19
CLEANING RECOMMENDATIONS	20

**PLEASE READ COMPLETE INSTRUCTIONS BEFORE PROCEEDING.
INSTALLATION MUST COMPLY WITH ALL LOCAL CODES.**

IMPORTANT: Save these instructions for the Local Electrical Inspector's use.
INSTALLER: Please leave these instructions with this unit for the owner.
OWNER: Please retain these instructions for future reference.
SAFETY Turn power circuit OFF at the service panel and lock panel door
WARNING: before wiring this unit.

IMPORTANT SAFETY INSTRUCTIONS

CAUTION - TO REDUCE THE RISK OF FIRE, ELECTRIC SHOCK, OR INJURY TO PEOPLE, OBSERVE THE FOLLOWING:

1. Use this rangehood only in the manner intended by the manufacturer. If you have any questions, contact the manufacturer - Prizer Hoods.
2. Before servicing or cleaning the unit, switch power off at service panel and lock the service disconnecting means to prevent power from being switched on accidentally. When the service disconnecting means cannot be locked, attach a tag to the service panel to indicate power has been switched off for maintenance.
3. Install this rangehood only with remote fan models rated maximum 12.8A or in-hood fans manufactured by Prizer Hoods, models CFM300, CFM600, CFM1200.

CAUTION - TO REDUCE THE RISK OF A RANGETOP GREASE FIRE:

1. Never leave cooktop surface unattended while on high setting.

Boilovers cause smoke and greasy spillovers may ignite. Heat oils slowly on low or medium settings.
2. Hood fan should always be **ON** when cooking on high heat or when flambeing foods (i.e. Crepes Suzette, Cherries Jubilee, Peppercorn Beef Flambe.)
3. Clean in-hood fans frequently. Do not allow grease to accumulate on fan or baffle filters.
4. Always use cookware appropriate for the size of the surface element.

CAUTION - TO REDUCE THE RISK OF INJURY TO PEOPLE, IN THE EVENT OF A RANGETOP GREASE FIRE, OBSERVE THE FOLLOWING:

1. **SMOTHER FLAMES** with a tight-fitting lid, cookie sheet, or other metal tray. Immediately turn the gas burner OFF.
2. **PREVENT BURNS.** If gas flames do not extinguish immediately; **EVACUATE AND CALL THE FIRE DEPARTMENT.**
3. **NEVER PICK UP A FLAMING PAN** as you may sustain burns.
4. **NEVER USE WATER,** wet dish-cloths or towels as a violent steam explosion will occur.
5. Use fire extinguisher **ONLY** if:
 - You know you have a class ABC extinguisher, and you already know how to operate it.
 - The fire is small and contained in the area where it started.
 - The fire department is being called.
 - You can fight the fire with your back to an exit.

CAUTION: FOR GENERAL VENTILATION USE ONLY. DO NOT USE TO EXHAUST HAZARDOUS OR EXPLOSIVE MATERIALS OR VAPOR.

SAFETY PROCEDURES FOR INSTALLING YOUR NEW PRIZER HOOD (continued)

CAUTION - TO REDUCE THE RISK OF FIRE, ELECTRIC SHOCK, OR INJURY TO PEOPLE, OBSERVE THE FOLLOWING:

CAUTION - FOR GENERAL VENTILATION USE ONLY. DO NOT USE TO EXHAUST HAZARDOUS OR EXPLOSIVE MATERIALS OR VAPORS.

- A. Installation work and electrical wiring must be done by a qualified installer in accordance with all applicable codes and standards, including fire rated construction.
- B. Sufficient air is needed for proper combustion and gas exhaustion through the flue (duct cover) of fuel burning cooktop to prevent backdrafting. Follow the equipment manufacturer's guidelines and safety standards such as those published by the National Fire Protection Association (NFPA), and the American Society for Heating, Refrigeration and Air Conditioning Engineers (ASHRAE), and the local code authorities.
- C. When cutting/drilling into a wall or ceiling, avoid damage to electrical wiring and other hidden utilities.
- D. In-hood or in-line fans must be vented to the outdoors.
- E. If a ventilation unit is to be installed over a tub or shower, it must be marked as appropriate for the application and be connected to a GFCI (Ground Fault Circuit Interrupter) - protected branch circuit.
- F. NEVER place a control switch where it can be reached from a tub or shower.
- G. **CAUTION - TO REDUCE THE RISK OF FIRE WITHIN WALLS OR ROOFS, USE ONLY METAL DUCTWORK.**
- H. Install this hood in accordance with all requirements specified by the manufacturer of your cooktop/range.
- I. Install this hood using required clearance from cooking surface to combustible material specified in cooktop installation instructions.

READ AND SAVE

UPON RECEIVING YOUR HOOD...

- The high degree of craftsmanship in the construction and finish of your hood requires careful handling to ensure proper installation.
- Do not remove your hood from its carton until you are ready to hang it.
- Do not store your hood anywhere other than within the carton. If it is necessary to remove your hood from the carton, place it on a blanket or padded area that will protect your hood from scratches or indentations.
- Do not lift the hood by its utensil rail. Place your fingers under the lower reveal of the hood. Grasp firmly and lift.
- Wearing cotton gloves are preferred. They will protect the surface from fine scratches and eliminate fingerprints.
- Remove all rings, watches, belt buckles, and jackets (snaps-zippers) to prevent scratches on the hood.
- If applicable, do not remove the cotton flannel from your hood until the installation process is complete. It will be necessary to remove only a small portion on the back-side for a wall mounted hood in order to position in place.
- Located within the hood cavity (behind the baffle filters) are component parts and halogen bulbs.

WALL HOOD INSTALLATION - REMOVABLE BACK PANEL

1. The hood is shipped with the removable back panel and the transition.

Note: The transition is shipped upside down within the hood. It must be removed then reinstalled.
(See Figures 1 through 3)

2. To detach the removable back panel and transition from the hood, remove four (4) screws from the top and four (4) screws from the back of the unit. (See Figure 1)
3. Detach the transition from the removable back panel removing four (4) screws. These shipping screws are needed for re-attaching the transition to the removable back panel.
4. Secure the transition to the top of the removable back panel, using the four (4) screw provided. Use duct tape to seal the joints of the transition and the top of the removable back panel. (See Figure 2)
5. To detach the removable back panel/transition from the hood unit, remove four (4) screws from the top and four (4) screws from the back of the unit. (See Figure 1)
6. Secure the back side of the removable back panel to the wall stud. (See Figure 3)
7. Using the wire harness from the remote fan, connect it to the molex plug within the hood cavity.

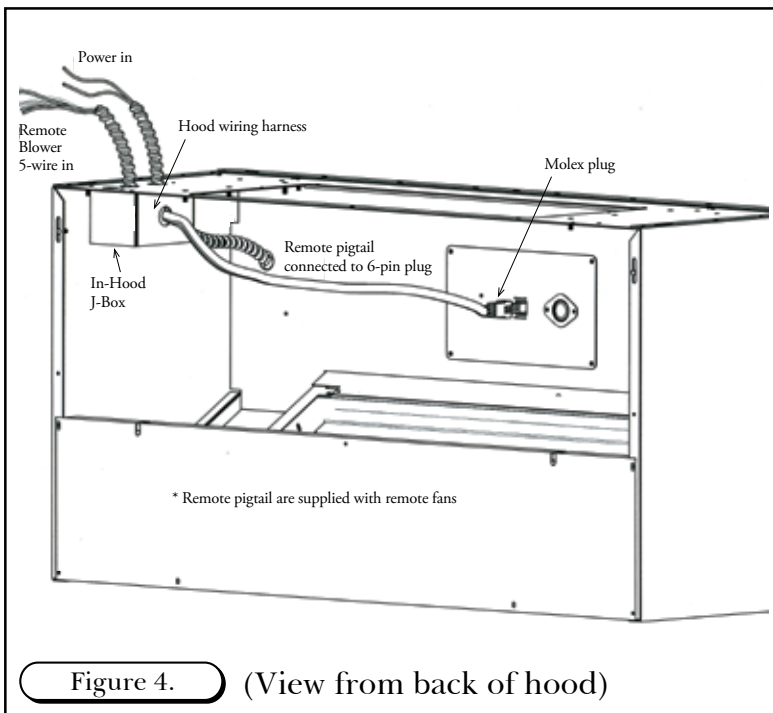
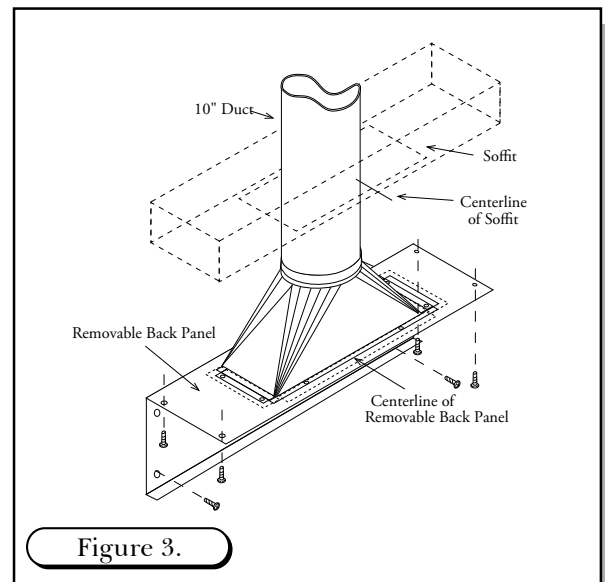
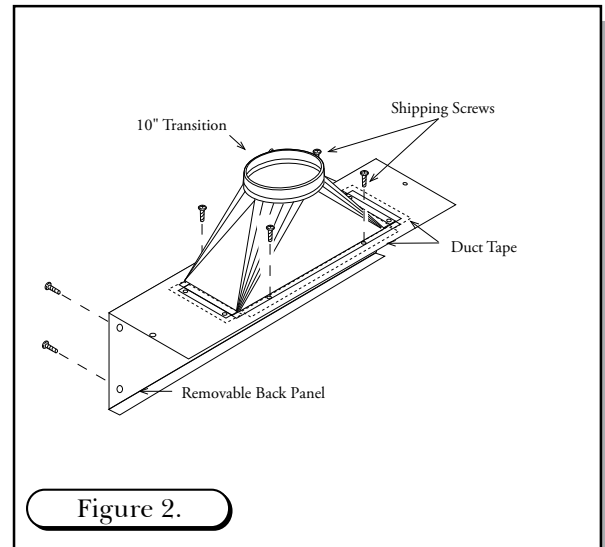
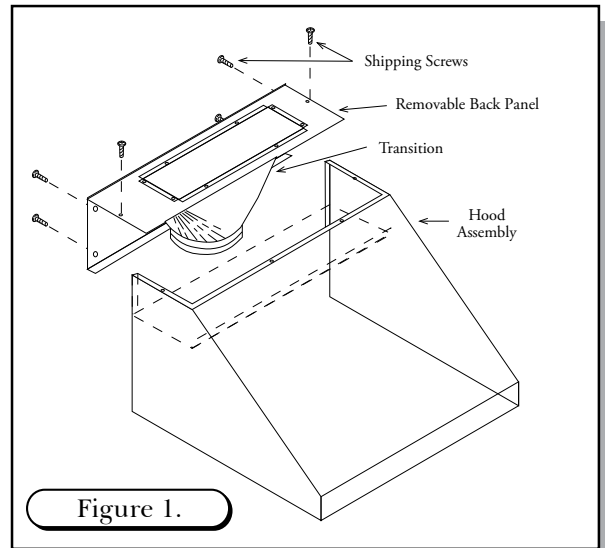
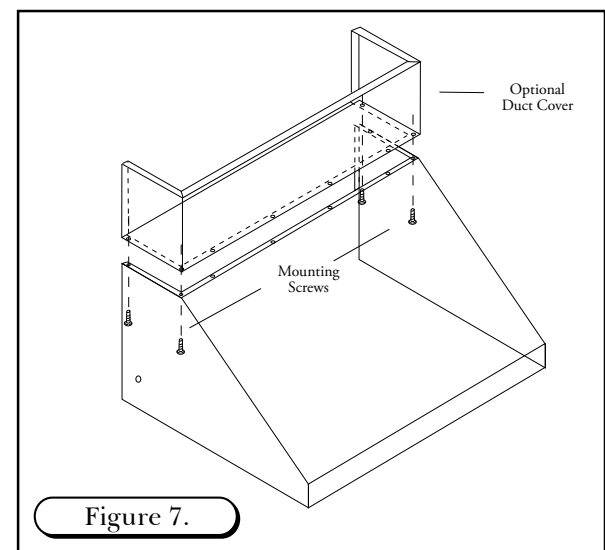
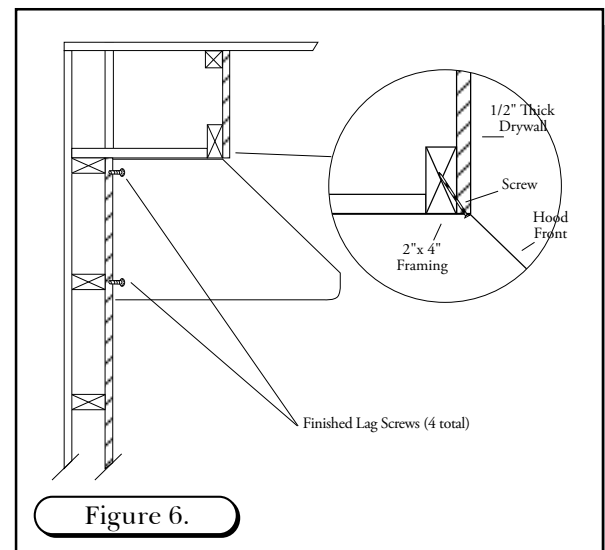
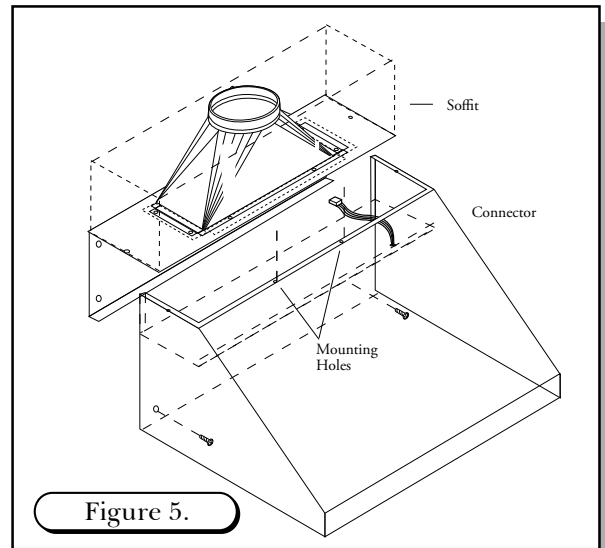


Figure 4. (View from back of hood)

WALL HOOD INSTALLATION - (continued)

1. Attach the hood to the removable back panel by aligning the welded studs on the removable back panel with the slotted holes on the back of the hood. (See Figure 5)
2. Using the screws provided, secure the hood assembly to the removable back panel. (See Figure 5)
3. Add 2"x4" wood framing block to aid in securing the top and rear of the hood to the wall. (See Figure 6)
4. To mount CFM300, CFM600 and CFM1200 fans within wall hoods. (See Figures 8, 9, 10, 11) (Page 6-9)
5. Install the fan by aligning the fan holes with the welded studs on the removable back panel. Tighten the fan to the panel using the hex nuts provided. (See Figures 8, 9, 10, 11) (Page 6-9)
6. Connect the "Molex" from the fan to the "Molex" plug on the hood. (See Figure 4.) (Page 4)
7. Attach three wires: black, white and green (#16 AWG) in 1/2" conduit from the service panel to the hood junction box. Power supply must be rated for 120v, 60Hz, 15 amps (minimum). (See Page 17)
8. Remove junction box and selected "knockout". Then install the strain relief (conduit) connector in the removable back panel hole. (See Pages 6, 7, 8, 9)
9. Remove the junction box from the rough-in plate. Connect black wire to power supply black wire, white wire to power supply white wire, and green wire to power supply green wire. (See Pages 6, 7, 8, 9)
10. Place all wiring connectors inside junction box and reinstall removable back panel.



OPTIONAL DUCT COVER

1. Install the hood as described in "Hood Rough-In Plate Mount"

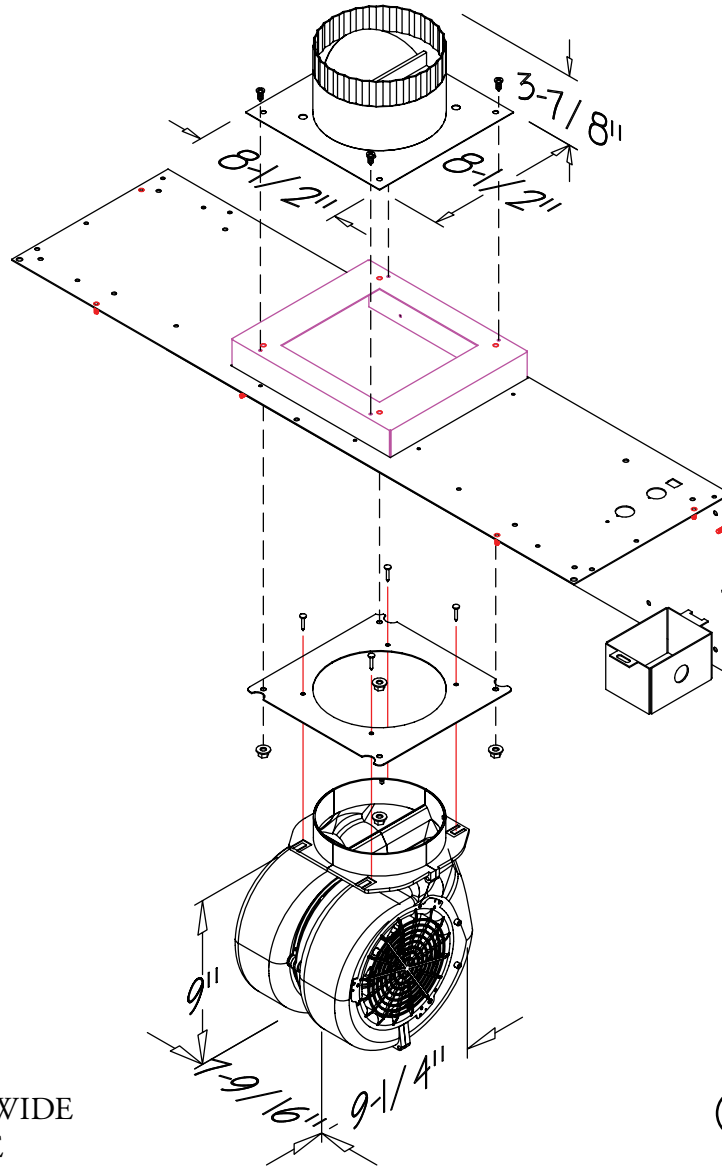
Note: Be sure to allow enough room for duct cover width on the top section of the rough-in plate.

2. Slide Duct Cover into opening.
3. Attach Duct Cover from the inside of the hood through filter opening using the screws provided. (See figure 7)

Note: Do not completely tighten screws until all components have been installed. At this point, check the alignment of the duct to the hood. First tighten the four corners to secure the duct, then tighten the remaining screws.

CFM 300 IN-HOOD FAN

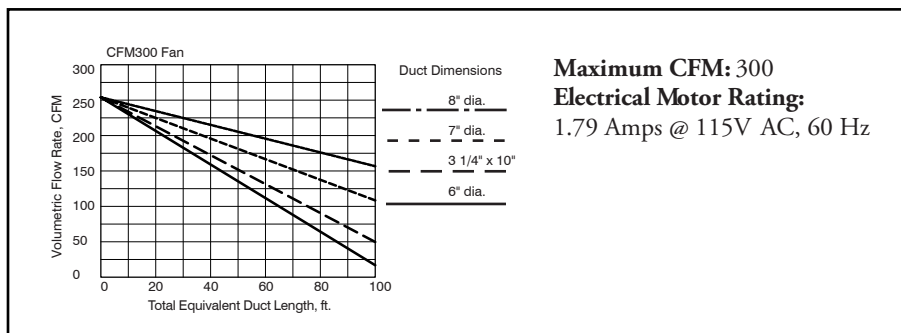
WALL APPLICATION - 6" ROUND COLLAR



COMPATIBLE WITH:

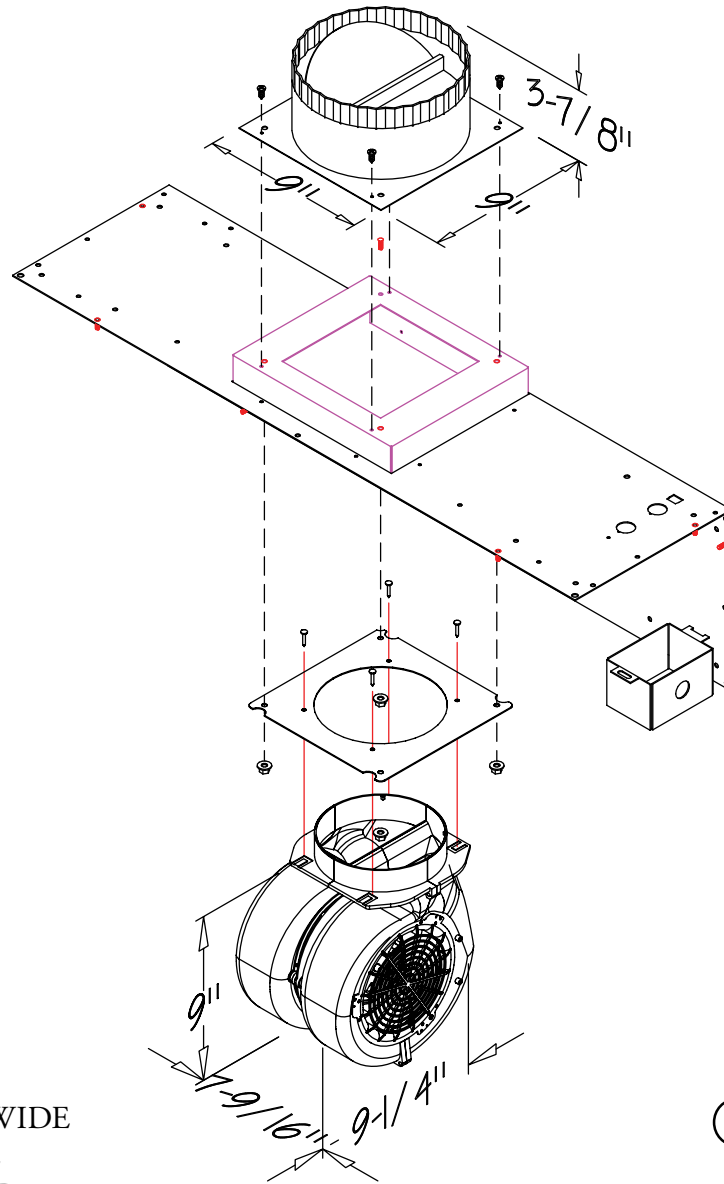
- LOW PROFILE
- SANTA FE 10" TALL
- PRO METAL LINER 28" WIDE
- METAL LINER 28" WIDE
- COMPACT METAL LINER

Figure 8.



CFM 600 IN-HOOD FAN

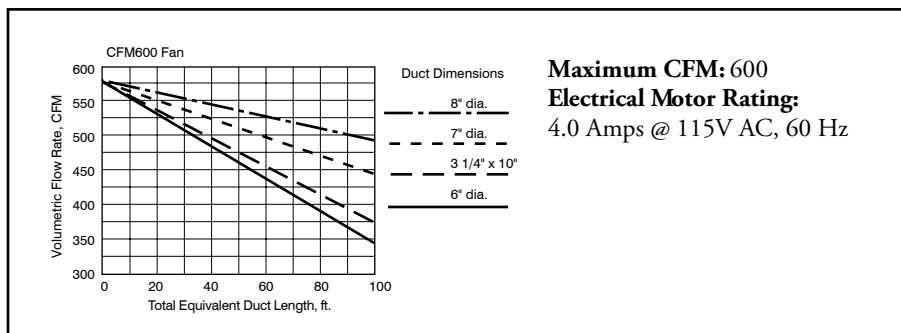
WALL APPLICATION - 8" ROUND COLLAR



COMPATIBLE WITH:

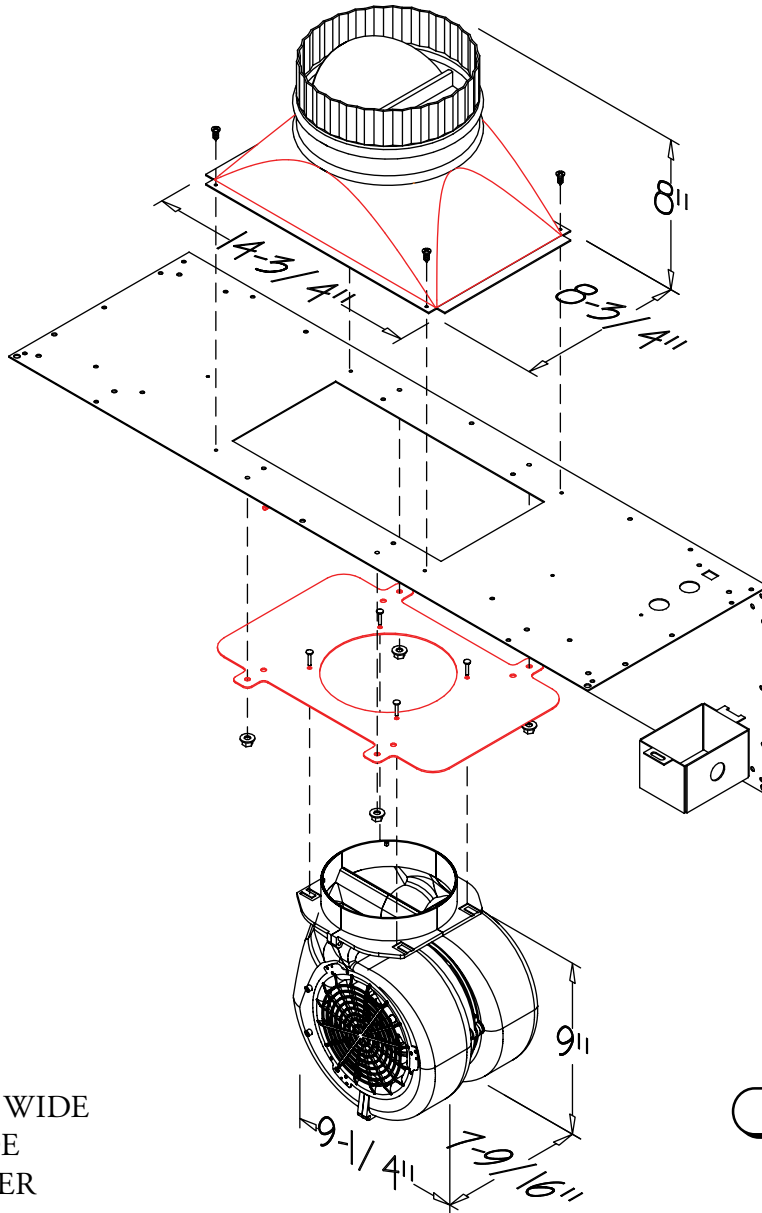
- LOW PRO-FILE
- SANTA FE 10" TALL
- PRO METAL LINER 28" WIDE
- METAL LINER 28" WIDE
- COMPACT METAL LINER

Figure 9.



CFM 600 IN-HOOD FAN

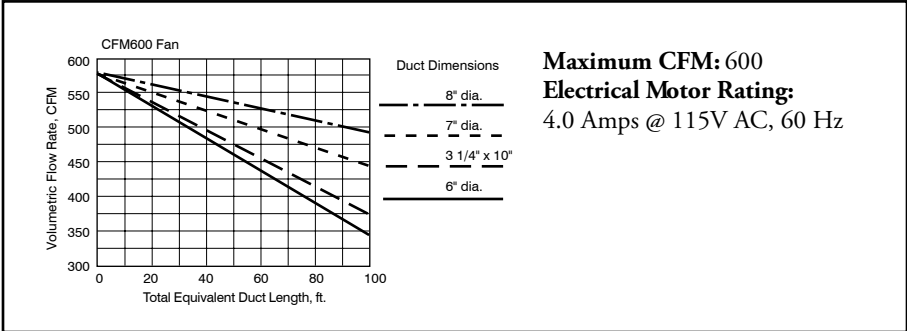
WALL APPLICATION - 8" TRANSITION



EXCEPTION:

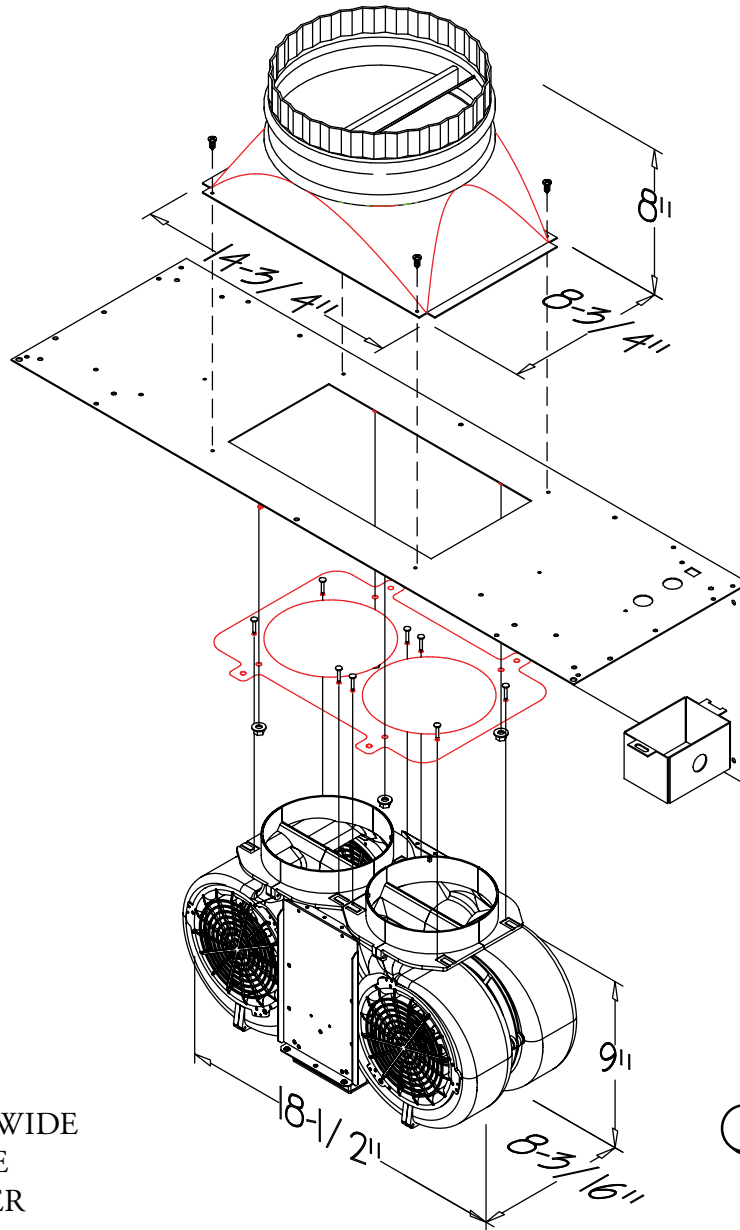
- LOW PRO-FILE
- SANTA FE 10" TALL
- PRO METAL LINER 28" WIDE
- METAL LINER 28" WIDE
- COMPACT METAL LINER

Figure 10.



CFM 1200 IN-HOOD FAN

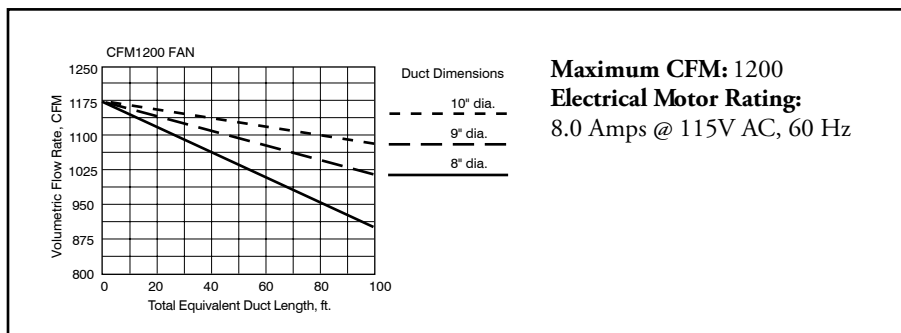
WALL APPLICATION - 10" TRANSITION



EXCEPTION:

- LOW PROFILE
- SANTA FE 10" TALL
- PRO METAL LINER 28" WIDE
- METAL LINER 28" WIDE
- COMPACT METAL LINER

Figure 11.



ISLAND HOOD INSTALLATION

INSTALLATION

⚠ WARNING

To reduce the risk of fire, use only metal ductwork.

IMPORTANT NOTE:

All hoods must exhaust to the outdoors.

1. Decide the placement of the ductwork between the hood and the outside of the home. Your island hood has a top discharge which will run vertically.
2. When not installing a remote fan, always install a roof cap or wall cap. Connect 10" round metal ductwork to the roof cap and work back towards the hood location.
3. Use duct tape to seal the joints between the ductwork sections.
4. A 10" round transition with backdraft damper is included with your island hood. It is recommended that the enclosed backdraft damper be used in all installations.

IMPORTANT NOTE:

Do not use ducting smaller than 10" round.

PREPARATION

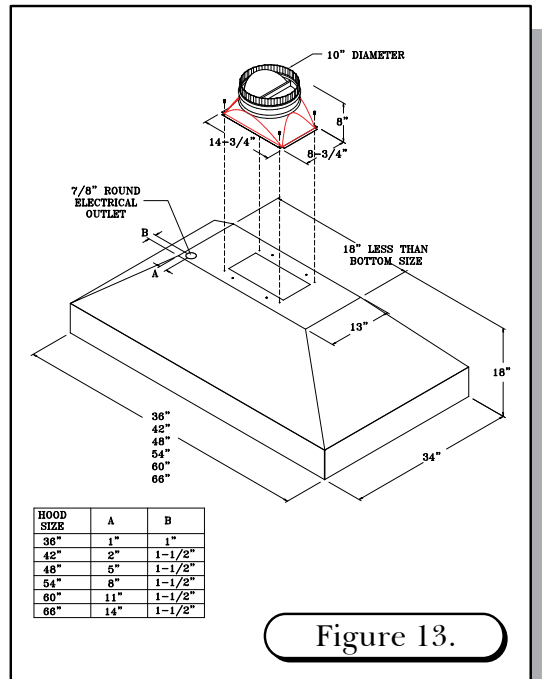
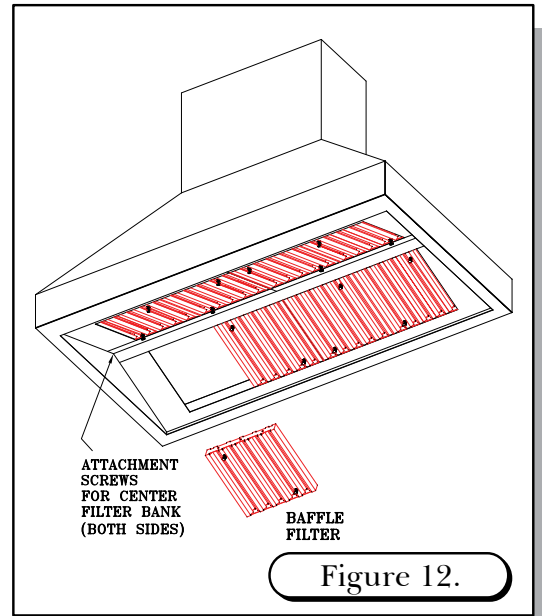
IMPORTANT NOTE:

When installing a duct cover, the duct cover must be installed prior to the hood installation. See Figure 14 (See Page 11) for duct cover installation instructions or use instructions packed with duct cover.

1. Remove baffle filters from hood shell.
2. Remove center filter bank by removing the 2 screws from each side. **DO NOT DISCARD THESE PARTS**, as they will be reinstalled after hood installation is completed. (See Figure 12)
3. The hood is shipped with the transition attached. The transition is shipped upside down in the top of the hood and must be removed then reinstalled.
4. Detach the transition from the hood by removing the (4) shipping screws on the top of the hood assembly. **DO NOT DISCARD THESE SCREWS**. These shipping screws will be needed for the reinstallation of the transition to hood.
5. Invert the transition (the 10" round collar points away from top of hood). Use the shipping screws removed from step 4.
6. When installing a remote fan, drill a 7/8" hole through hood framing for conduit wiring. (See Figure 13 for overall dimensions and electrical requirements.) See installation instructions provided with your fan for mounting and installation information.

IMPORTANT NOTE:

Do not place electrical wiring within the duct work itself.



ISLAND DUCT COVER INSTALLATION

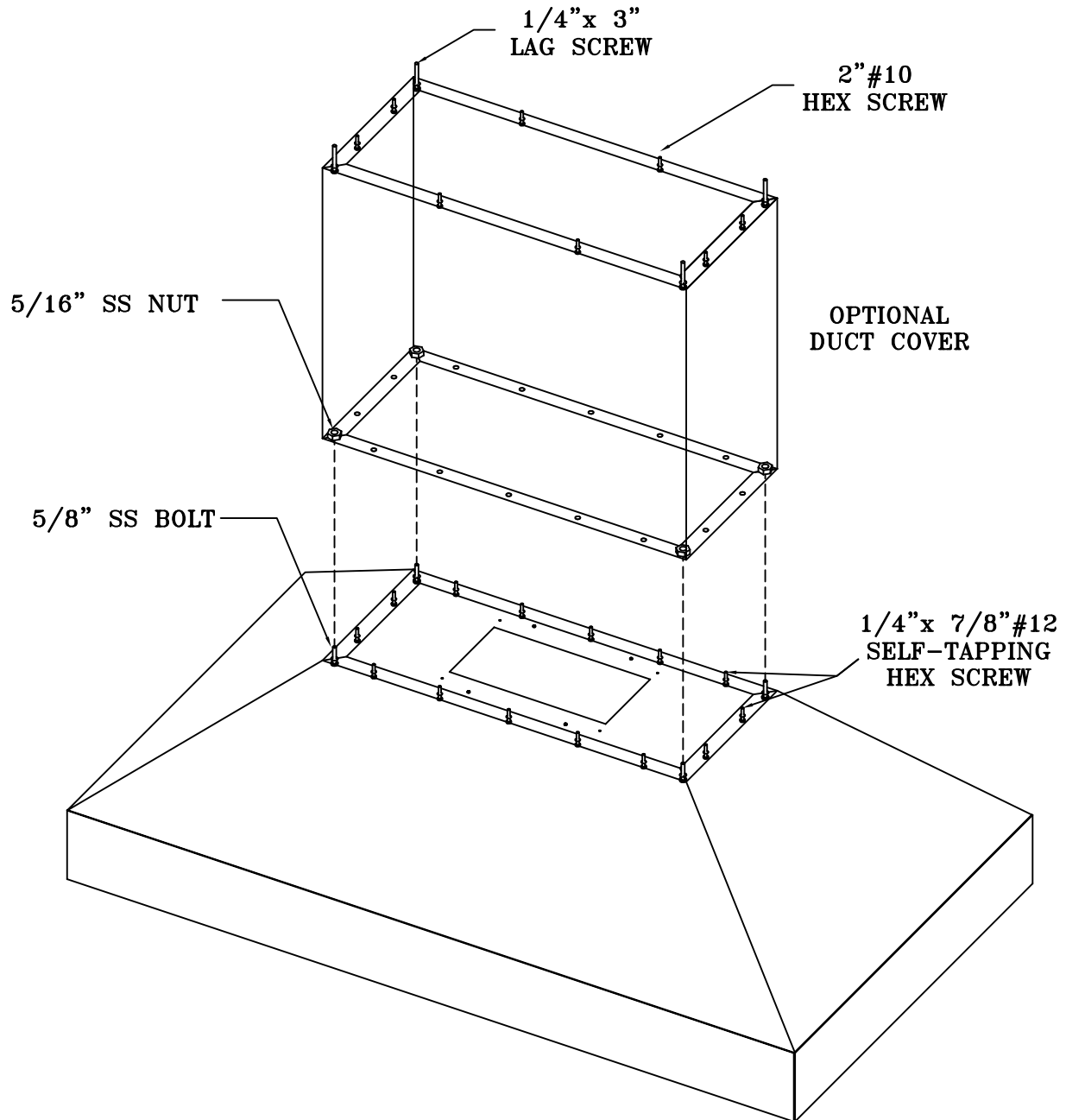


Figure 14.

ISLAND HOOD DUCT WORK INSTALLATION

⚠ WARNING

Framing must be structurally tied together and attached to the ceiling joists to provide enough strength to support the weight of the hood and the internal blower, if applicable.

1. Cut a 10" diameter opening in the ceiling to accommodate the duct work necessary for proper ventilation.
2. Transfer the overall dimensions of the hood top plate onto the finished ceiling/unfinished surface. The top plate width is 13", but overall width will vary with the size of the hood. (See Page 4 - Figure 2)
3. Construct the frame using wood 2x4's. Due to the weight of the hood, structural support is necessary. (See Figure 3)
4. Locate and mark the center of the hood. Attach two wood 2x4's across the top of the ceiling joists. (See Figure 3)
5. Drill four 3/8" holes in the 2x4's to match the pattern on the top of the hood. (See Figure 3)
6. Remove hood baffle filters and loosen hood filter-bank prior to installation of hood. See page 10 for direction. (See Figure 12)

⚠ WARNING

Island hoods are very heavy! A minimum of three installers are required to lift the hood to the ceiling.

7. While lifting the hood, align hood mounting holes with pre-drilled ceiling holes. Slide 5/8" all-thread rods through the hood mounting holes and tighten into wood 2x4 framing. DO NOT OVER TIGHTEN SCREWS. (See Figure 3)
8. Connect 10" round duct-work to the hood transition using sheet metal screws or duct tape.
9. Complete all electrical connections. (See Wiring Diagram on Page 14)
10. Align hood and tighten all nuts until hood surface is flush with ceiling. Install #10 x 2" screws through remaining hood mounting holes near top edge of hood surface. This additional support is necessary. (Screws are included)

11. If installing an in-hood or in-line fan, DO NOT RE-INSTALL baffle filters and center filter-bank until blower installation is complete. (See in-hood fan installation on pages 13 and 14)

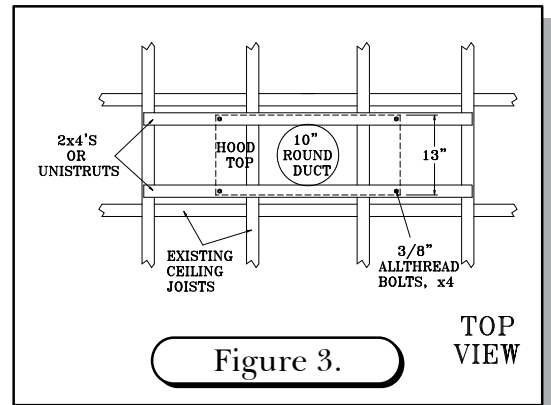


Figure 3.

⚠ WARNING

When making any electrical connections, make sure electrical power is turned off at the power source (or circuit breaker) before proceeding.

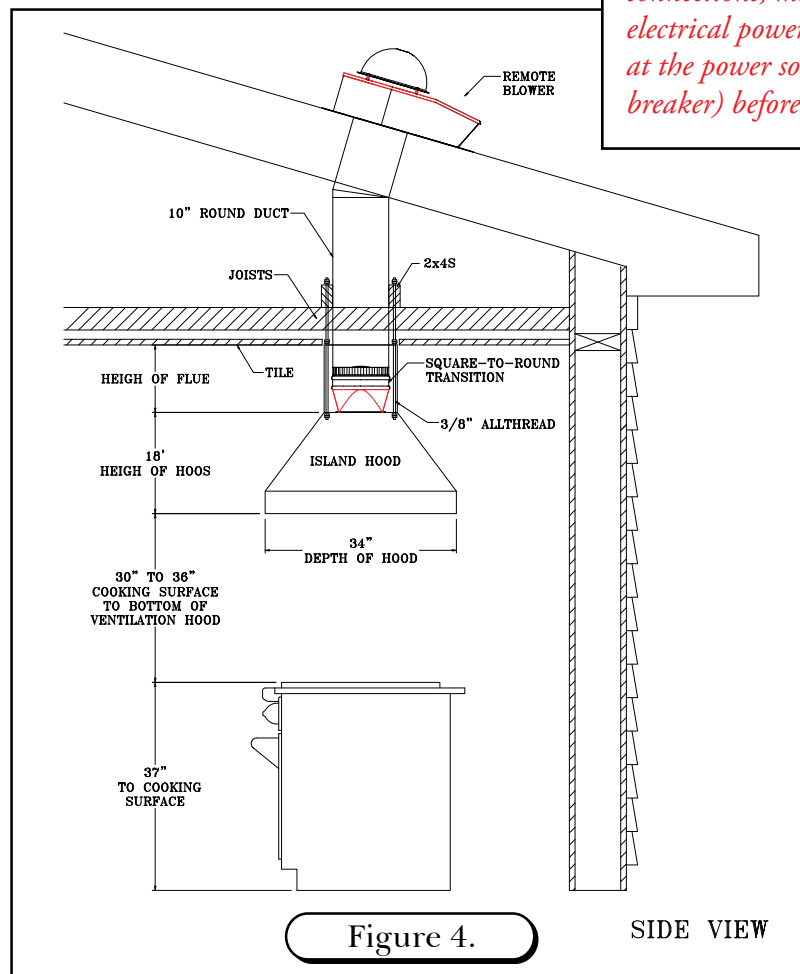
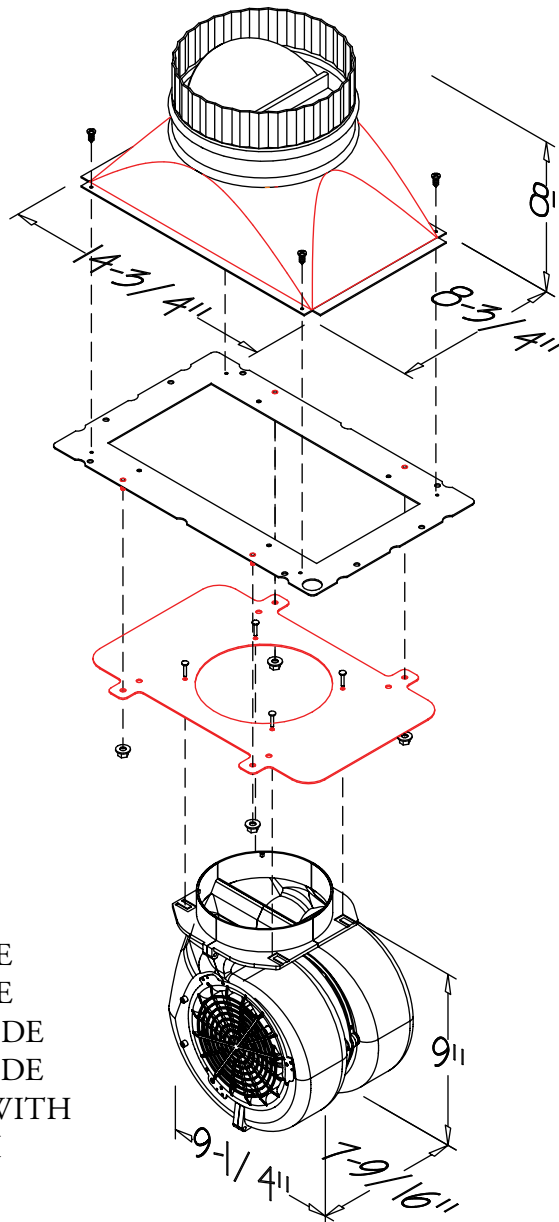


Figure 4.

SIDE VIEW

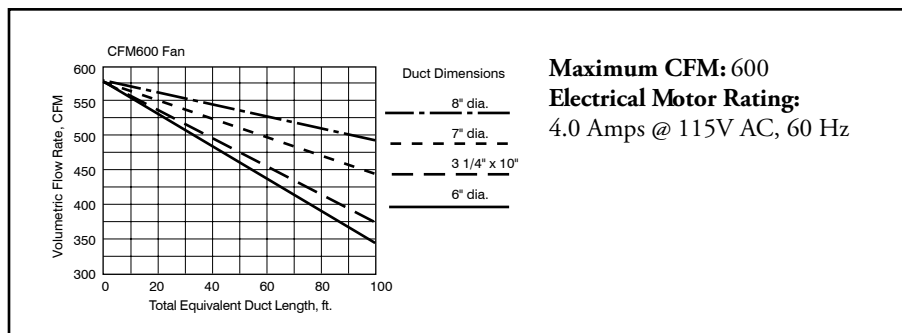
CFM 600 IN-HOOD FAN

CHIMNEY AND ISLAND APPLICATION - 8" TRANSITION



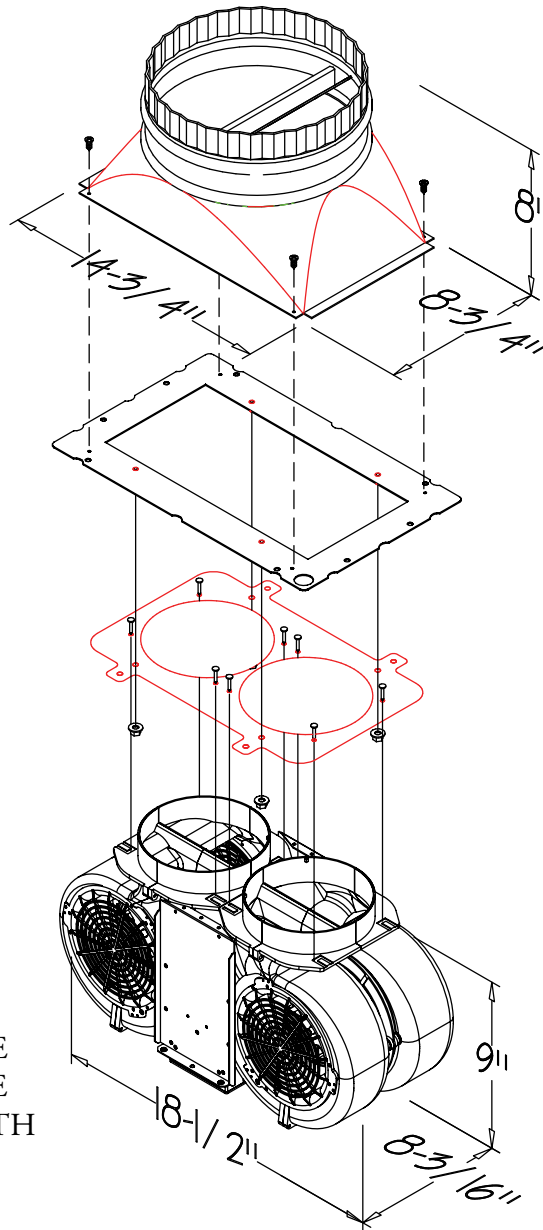
EXCEPTION:

- MANHATTAN WALL 36" WIDE
 - MANHATTAN WALL 42" WIDE
 - MANHATTAN ISLAND 36" WIDE
 - MANHATTAN ISLAND 42" WIDE
- THE ABOVE MUST BE USED WITH AN 8" ROUND COLLAR WITH BACKDRAFT DAMPER



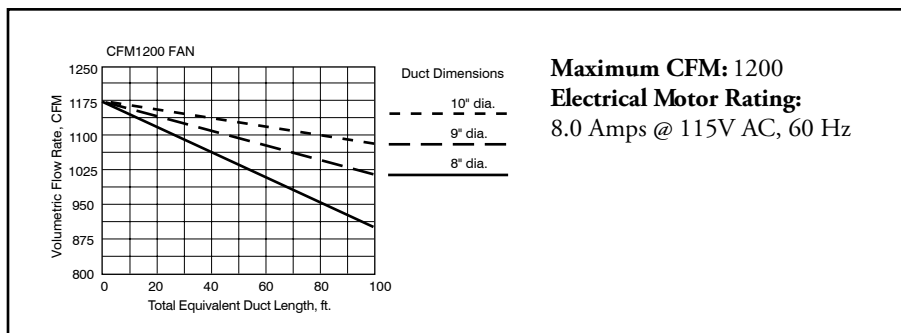
CFM 1200 IN-HOOD FAN

CHIMNEY AND ISLAND APPLICATION - 10" TRANSITION



EXCEPTION:

- MANHATTAN WALL 36" WIDE
 - MANHATTAN WALL 42" WIDE
 - MANHATTAN ISLAND 36" WIDE
 - MANHATTAN ISLAND 42" WIDE
- THE ABOVE MUST BE USED WITH AN 8" ROUND COLLAR WITH BACKDRAFT DAMPER



REMOTE FAN - ROOF MOUNT OR WALL MOUNT

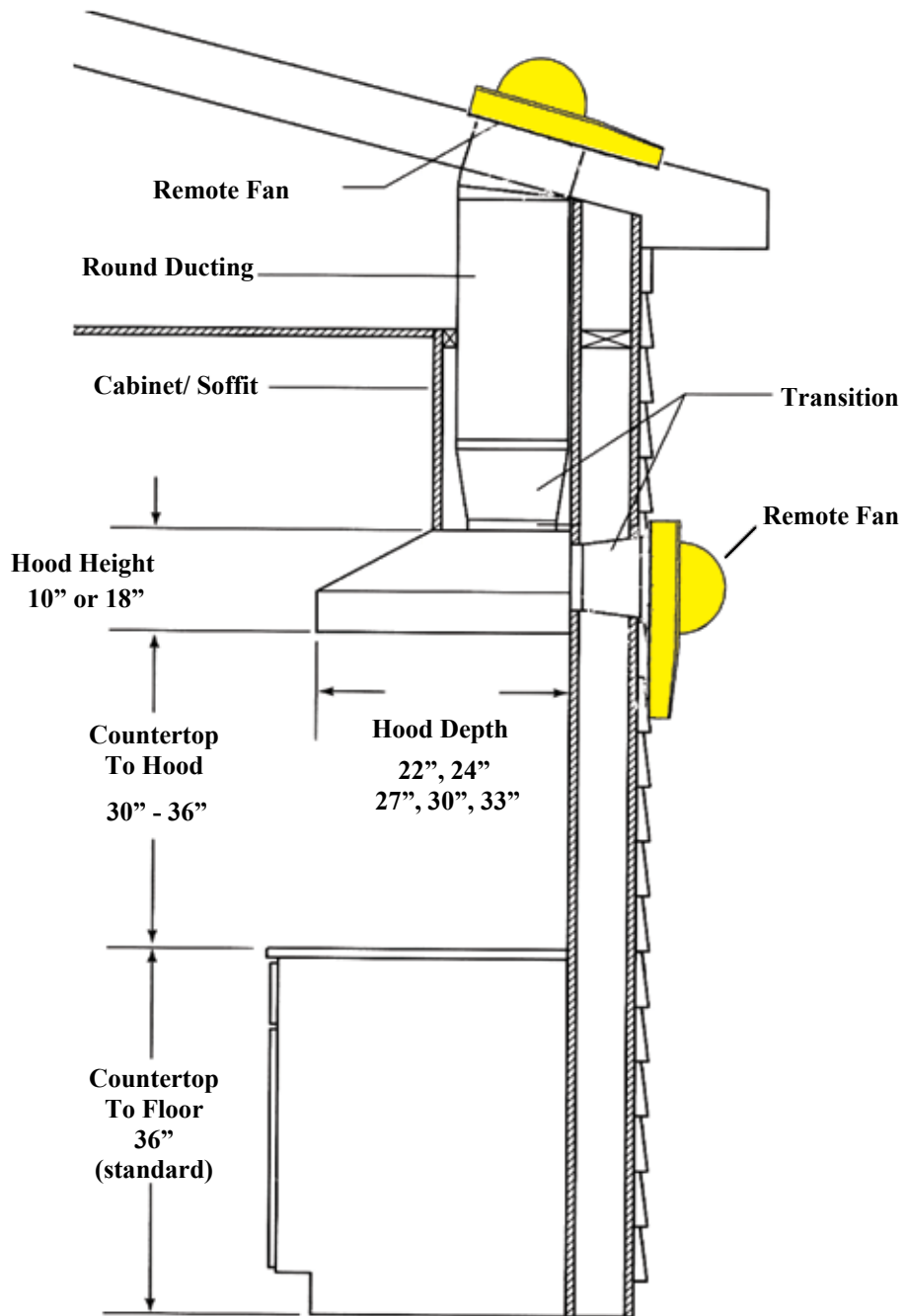


Figure 12.

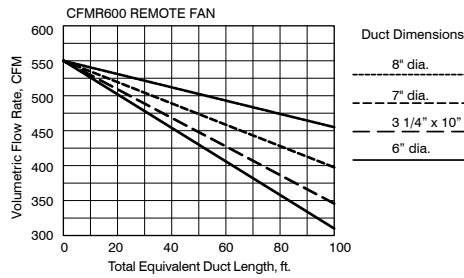
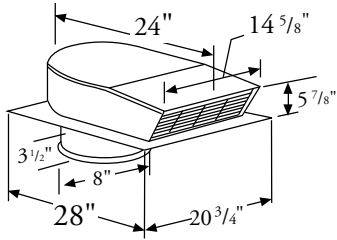
REMOTE FANS

MODEL

VOLUMETRIC FLOW RATE FOR EQUIVALENT DUCT LENGTHS

APPLICATION

CFMR600 REMOTE FAN



Maximum CFM: 600

Electrical Motor Rating:

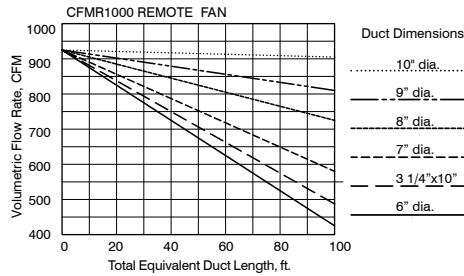
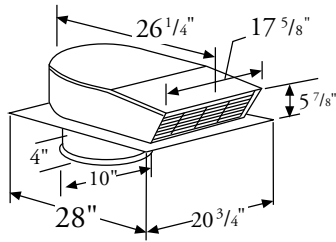
4.3 Amps @ 115V AC, 60 Hz

Duct Size at Discharge:

8" Square-to-round transition

See ventilator & transition pages for use with hood series.

CFMR1000 REMOTE FAN



Maximum CFM: 1000

Electrical Motor Rating:

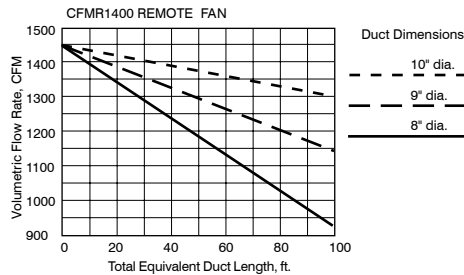
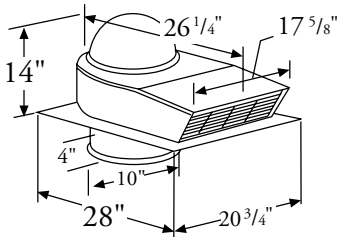
7.8 Amps @ 115V AC, 60 Hz

Duct Size at Discharge:

10" Square-to-round transition

See ventilator & transition pages for use with hood series.

CFMR1400 REMOTE FAN



Maximum CFM: 1400

Electrical Motor Rating:

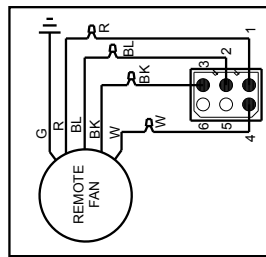
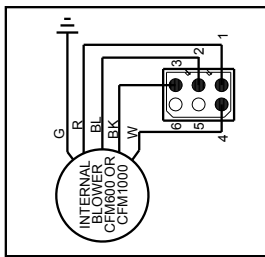
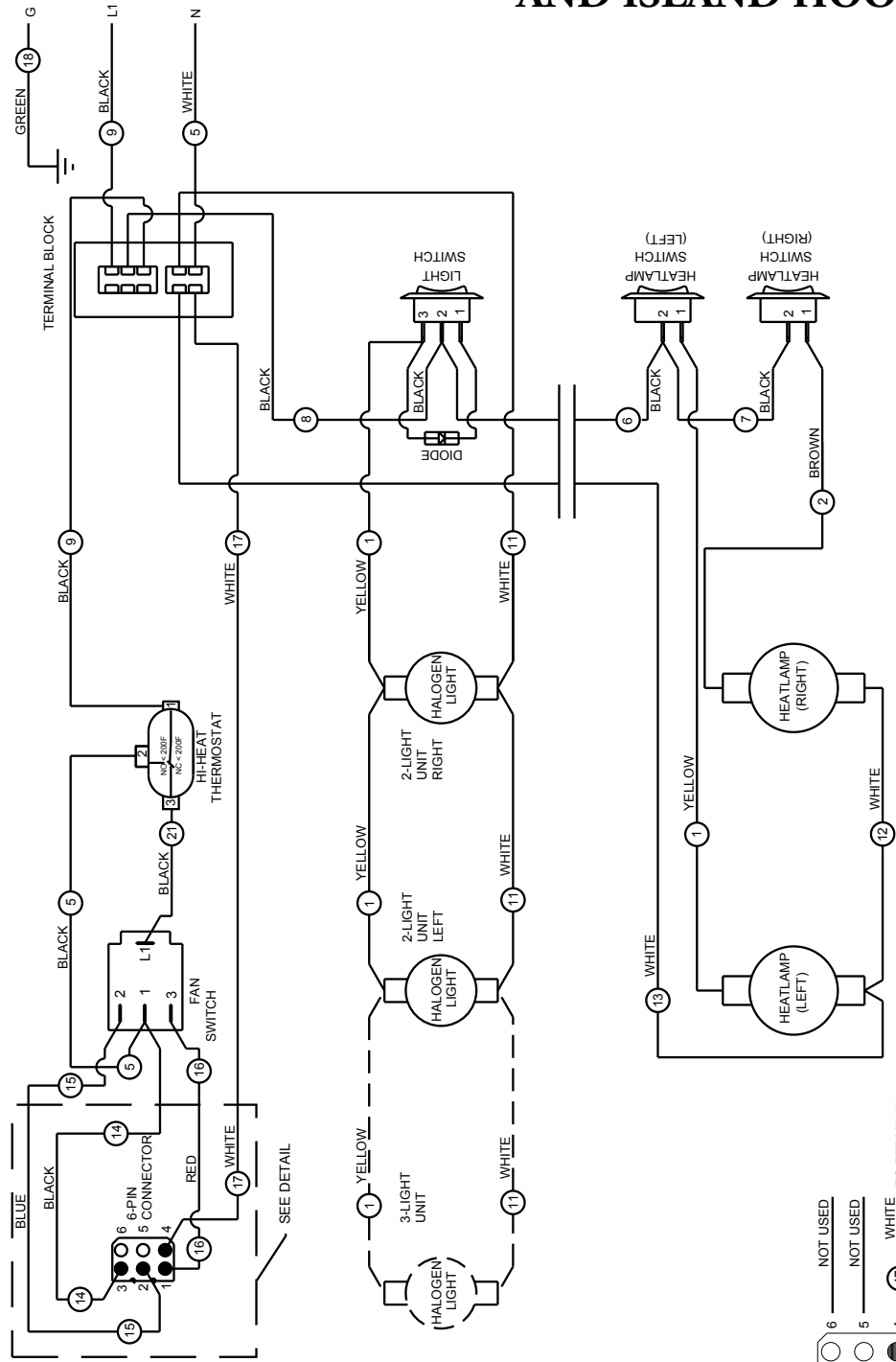
12 Amps @ 115V AC, 60 Hz

Duct Size at Discharge:

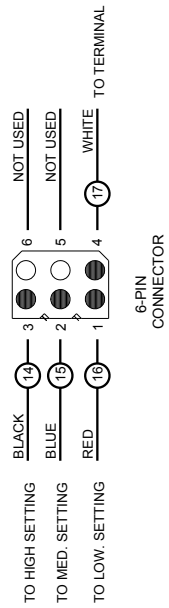
10" Square-to-round transition

See ventilator & transition pages for use with hood series.

WIRING DIAGRAM FOR WALL AND ISLAND HOODS



REMOTE



WIRING DIAGRAM FOR WALL AND ISLAND HOODS

HOOD FEATURES

Model	Lighting	Filters	Available Widths								Depth	Height
WALL HOODS	Halogen & Heat		NUMBER OF FILTERS PER WIDTH									
LP 30" - 42"	Halogen 2	THIN BAFFLES	30"	36"	42"	48"	54"	60"	66"	22"	18"	
LP 48" - 66"	Halogen 3	THIN BAFFLES	2	2	2	3	3	4	4			
INCL 30" - 42"	Halogen 2	THICK BAFFLES	30"	36"	42"	48"	54"	60"	66"	24"	18"	
INCL 48" - 66"	Halogen 3	THICK BAFFLES	2	2	3	3	4	4	5			
INBQ 30" - 42"	Halogen 2	THICK BAFFLES	2	2	3	3	4	4	5	27"	18"	
INBQ 48" - 66"	Halogen 3	THICK BAFFLES	30"	36"	42"	48"	54"	60"	66"	30"	33"	
				4	6	6	8	8	10			
BONZ 30" - 42"	Halogen 2	THICK BAFFLES	30"	36"	42"	48"	54"	60"	66"	24"	18"	
BONZ 48" - 66"	Halogen 3	THICK BAFFLES	2	2	3	3	4	4	5			
CONN 30" - 42"	Halogen 2	THICK BAFFLES	30"	36"	42"	48"	54"	60"	66"	24"	18"	
CONN 48" - 66"	Halogen 3	THICK BAFFLES	2	2	3	3	4	4	5			
ASPEN 30" - 42"	Halogen 2	THICK BAFFLES	30"	36"	42"	48"	54"	60"	66"	24"	18"	
ASPEN 48" - 66"	Halogen 3	THICK BAFFLES	2	2	3	3	4	4	5			
SNFE-10" TALL 30" - 42"	Halogen 2	THIN BAFFLES	30"	36"	42"	48"	54"	60"	66"	22"	10"	
SNFE-10" TALL 48" - 66"	Halogen 3	THIN BAFFLES	2	2	2	3	3	4	4			
SNFE-18" TALL 30" - 42"	Halogen 2	THICK BAFFLES	30"	36"	42"	48"	54"	60"	66"	24"	18"	
SNFE-18" TALL 48" - 66"	Halogen 3	THICK BAFFLES	2	2	3	3	4	4	5			
LONDON FLAT 36" - 42"	Halogen 2	MESH FILTERS		36"	42"	48"	54"	60"	66"	24"	18"	
LONDON FLAT 48" - 66"	Halogen 3	MESH FILTERS		2	3	4	5	6	7			
ISLAND												
HAMPTON-I 36" - 42"	Halogen 2	THICK BAFFLES		36"	42"	48"	54"	60"	66"	34"	18" NOT INCLUDING DUCT COVER	
HAMPTON-I 48" - 66"	Halogen 3	THICK BAFFLES		4	6	6	8	8	10			
LARA-I 36" - 42"	Halogen 2	THICK BAFFLES		36"	42"	48"	54"	60"	66"	34"	18" NOT INCLUDING DUCT COVER	
LARA-I 48" - 66"	Halogen 3	THICK BAFFLES		4	6	6	8	8	10			
LARE-I 36" - 42"	Halogen 2	THICK BAFFLES		36"	42"	48"	54"	60"	66"	34"	18" NOT INCLUDING DUCT COVER	
LARE-I 48" - 66"	Halogen 3	THICK BAFFLES		4	6	6	8	8	10			
MANH-I 36" - 42"	Halogen 4	THICK BAFFLES		36"	42"	48"	54"	60"	66"	34"	6" NOT INCLUDING DUCT COVER	
MANH-I 48" - 66"	Halogen 6	THICK BAFFLES		4	6	6	8	8	10			
WRAN-I 36" - 42"	Halogen 2	THICK BAFFLES		36"	42"	48"	54"	60"	66"	34"	18" NOT INCLUDING DUCT COVER	
WRAN-I 48" - 66"	Halogen 3	THICK BAFFLES		4	6	6	8	8	10			
CHIMNEY												
HAMPTON 30" - 42"	Halogen 2	THICK BAFFLES	30"	36"	42"	48"	54"	60"	66"	24"	18" NOT INCLUDING DUCT COVER	
HAMPTON 48" - 66"	Halogen 3	THICK BAFFLES	2	2	2	3	3	4	4			
LARA 30" - 42"	Halogen 2	THICK BAFFLES	30"	36"	42"	48"	54"	60"	66"	24"	18" NOT INCLUDING DUCT COVER	
LARA 48" - 66"	Halogen 3	THICK BAFFLES	2	2	2	3	3	4	4			
LARE 30" - 42"	Halogen 2	THICK BAFFLES	30"	36"	42"	48"	54"	60"	66"	24"	18" NOT INCLUDING DUCT COVER	
LARE 48" - 66"	Halogen 3	THICK BAFFLES	2	2	2	3	3	4	4			
MANH 36" - 42"	Halogen 2	THICK BAFFLES		36"	42"	48"	54"	60"	66"	24"	18" NOT INCLUDING DUCT COVER	
MANH 48" - 66"	Halogen 3	THICK BAFFLES		2	3	3	4	4	5			
WRAN 36" - 42"	Halogen 2	THICK BAFFLES		36"	42"	48"	54"	60"	66"	24"	20" NOT INCLUDING DUCT COVER	
WRAN 48" - 66"	Halogen 3	THICK BAFFLES		2	3	3	4	4	5			
LINERS												
CMLSS (all sizes)	Halogen 2	MESH FILTERS			29"	38"	47"			15 ¹³ / ₁₆ "	11 ¹ / ₈ "	
					2	2	3					
MLSS 28"	Halogen 2	THICK BAFFLES										
MLSS 34" - 46"	Halogen 2	THICK BAFFLES	28"	34"	40"	46"	52"	58"	64"	70"	19 ¹ / ₄ "	14"
MLSS 52" - 70"	Halogen 3	THICK BAFFLES	2	2	3	3	4	4	5	5		
PMLSS 28"	Halogen 2	THICK BAFFLES										
PMLSS 34" - 46"	Halogen 2	THIN BAFFLES	28"	34"	40"	46"	52"	58"	64"	70"	22 ¹ / ₂ "	12"
PMLSS 52" - 70"	Halogen 3	THIN BAFFLES	2	2	2	3	3	4	5	5		
MLFS 30" - 42"	Halogen 2	THICK BAFFLES	30"	36"	42"	48"	54"	60"	66"	72"	24"	18"
MLFS 48" - 72"	Halogen 3	THICK BAFFLES	2	2	3	3	4	4	5	5		
MLSS-I 30" - 42"	Halogen 2	THICK BAFFLES		36"	42"	48"	54"	60"	66"	72"	34"	18"
MLSS-I 48" - 72"	Halogen 3	THICK BAFFLES		4	6	6	8	8	10	10		

BAFFLE FILTERS, GREASE TROUGHS AND LIGHTS

Baffle Filters

Your baffle filters come with “gripper” knobs to aid in filter placement and removal. Grab the “gripper” knobs with your thumb and index finger. Simultaneously, slide and force the first baffle filter in an upward (slightly pitched) direction towards the ceiling. (Note: spring clips have been attached within the framework to prevent the baffle filters from rattling when fan is operating. These spring clips will make it difficult to insert and remove baffle filters.) As the baffle filter is forced upward towards the ceiling, simultaneously swing the lower portion of the filter down and out of the framework. Remove the remaining baffle filters in the same fashion. The first baffle filter removed may be difficult..... the remaining filters will follow with ease.

Baffle filters may be washed in your dishwasher. Simply place on the lower rack of dishwasher using a normal cleaning cycle.

To re-install your new/clean baffle filters within the hood cavity, begin the above process but in reverse. First, place the clean “grease trough(s)” in the cavity framework followed by the first of the baffle filters keeping in mind the first of the baffle filters will be easy to re-install..... the last baffle filter will be difficult due to the tight fit and limited space.

Grease Troughs

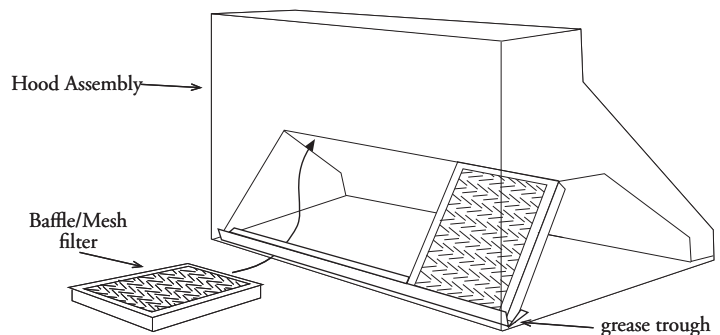
The “grease trough” rests within the lowest portion of the rectangular open framework. Check for grease build-up each month. The “grease trough(s)” may be wiped free of excess grease and placed on top-shelf of your dishwasher for cleaning.

Halogen Lights

Halogen lights are included with the purchase of your hood. They are packaged in a cardboard box and taped within the interior hood cavity behind the baffle filters. To purchase halogen bulbs through Prizer Hoods, you may contact our Customer Service Department or visit your local home improvement store replacing with a PAR 20 - Medium Base, 50 watt, 120 volt, Halogen Flood. Be sure to take your old halogen bulb with you to ensure your new bulb is similar in length with the same bulb specifications.

Controls

Always “turn-on” the hood fan prior to cooking in order to establish an airflow in the kitchen. Allow the fan to remain



operating after cooking for a few minutes to clear the air. This measure will ensure the kitchen remains smoke-free and fresher smelling.

Fan

The hood's fan is controlled by a three-speed switch. Speeds: **OFF**, **LOW**, **MEDIUM**, **HIGH** are printed next to the fan control knob and correspond to the fan speed.

Hood Lighting

The halogen lights are controlled by a single light switch. The lighting has a **LOW** setting (ambient lighting) and a **HIGH** setting (brilliant lighting).

Cleaning Your Stainless Steel Hood

Keep your hood free of grease build-up under the hood's surface as well as exterior surfaces. Do not use abrasive cloths, steel wool, scrubbing pads or scouring powders. Do not use paper towels or any other coarse cloths for cleaning stainless steel. Have prepared, a supply of pre-washed, (100% cotton) **flannel** cleaning cloths or micro-fiber cleaning cloths. You may purchase 100% cotton **flannel** by the yard at your local fabric store. Pre-wash flannel in hot water using laundry detergent without fabric softeners and place in dryer without fabric softening sheets.

We recommend using a stainless steel cleaning spray to maintain the beautiful luster of your stainless steel hood. Spray the cleaning/polishing solution directly onto a cleaning cloth as supposed to spraying the surface of the hood.

“**Clean Source**” stainless spray may be purchased by contacting our Customer Service Department.

CLEANING RECOMMENDATIONS

BRUSHED STAINLESS STEEL, HAMMERED STAINLESS, EUROPEAN BLACK STEEL and MILLENNIUM DISK STAINLESS

The Brushed Stainless Steel Hood should be cleaned with pre-washed flannel cloths and our recommended **“Clean Source”** cleaner. Always wipe in a manner which follows the grain. **DO NOT** clean with paper towels as they will scratch the surface. Cleaning cloths other than cotton flannel may scratch the surface of the hood.

ANTIQUATED COPPER, ANTIQUATED BRASS

The Antiquated Copper and Antiquated Brass Hoods should be cleaned twice yearly. Use pre-washed flannel cloths and “S.C. Johnson P-A-S-T-E Wax” available at Lowe’s Home Improvement Centers. Gently apply a small amount in a circular motion using very light pressure. Rubbing too hard may result in the removal of the finish. **DO NOT** clean with paper towels as scratches will occur. Cleaning cloths other than cotton flannel may scratch the surface of the hood.

MIRRORED STAINLESS STEEL, POWDER COATINGS

The Mirrored Stainless Steel or Powder Coated Hood should be cleaned with pre-washed flannel cloths and any spray glass cleaner. **DO NOT** clean with paper towels, as they will scratch the surface of the hood. Different cleaning cloths other than cotton flannel may scratch the surface of the hood.

MIRRORED COPPER, HAMMERED COPPER, BRUSHED COPPER

The Copper Hood should be cleaned with pre-washed flannel cloths and **“Brite Boy”** metal polish. Always wipe in a manner, which follows the grain should a grain pattern exist. **DO NOT** clean with paper towels, as they will scratch the surface. Different cleaning cloths other than cotton flannel may scratch the surface of the hood.

MIRRORED BRASS, HAMMERED BRASS, BRUSHED BRASS

The Brass Hood should be cleaned with pre-washed flannel cloths and **“Brite Boy”** metal polish. Always wipe in the manner, which follows the grain should a grain pattern exist.. **DO NOT** clean with paper towels, as they will scratch the surface. Different cleaning cloths other than cotton flannel may scratch the surface of the hood.

INTERIOR OF HOOD

All hoods are fitted with a brushed stainless steel liner. For cleaning, we recommend using pre-washed flannel cloths and **“Clean Source”** cleaner. Always wipe in a manner, which follows the grain. **DO NOT** clean with paper towels, as they will scratch the surface of the hood.

BAFFLE FILTERS AND GREASE TROUGHS

Baffle Filters and Grease Troughs may be cleaned in your dishwasher. The grease troughs should first be cleaned of excess grease with a paper towel, then placed beside the baffle filters in your dishwasher for a thorough cleaning.

“Clean Source” and **“Brite Boy”** cleaner may be purchased directly from Prizer Hoods.