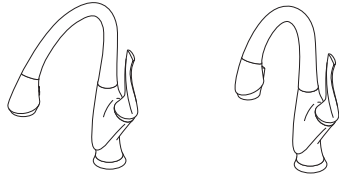


Models  
63052LF & 63952LF  
Series  
**BELO®**



---

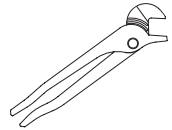
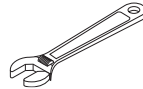
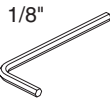
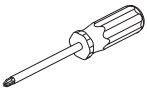
Write purchased model number here.

---

**WARNING: THIS FAUCET IS NOT TO BE USED WITH PORTABLE DISHWASHERS!**

---

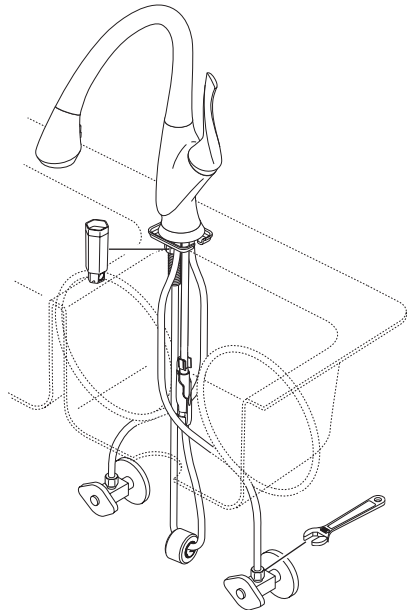
**You may need the following tools:**



---

**For easy installation of your Brizo® faucet you will need:**

- To **READ ALL** the instructions completely before beginning.
- To **READ ALL** warnings, care, and maintenance information.



**TABLE OF CONTENTS:**

Warranty ----- Page 2  
Installation Instructions ----- Pages 3-13  
Plastic Sleeve Installation ----- Page 10  
Setting The Handle Limit Stop ----- Page 13  
Maintenance ----- Page 14  
Replacement Parts ----- Pages 15 & 16

**Limited Warranty on Brizo® Faucets**

**Parts and Finish**

All parts (other than electronic parts and batteries) and finishes of this Brizo® faucet are warranted to the original consumer purchaser to be free from defects in material and workmanship for as long as the original consumer purchaser owns the home in which the faucet was first installed or, for commercial users, for 5 years from the date of purchase.

**Electronic Parts and Batteries (if applicable)**

Electronic parts (other than batteries), if any, of this Brizo® faucet are warranted to the original consumer purchaser to be free from defects in material and workmanship for 5 years from the date of purchase or, for commercial users, for one year from the date of purchase. No warranty is provided on batteries.

Delta Faucet Company will replace, FREE OF CHARGE, during the applicable warranty period, any part or finish that proves defective in material and/or workmanship under normal installation, use and service. If repair or replacement is not practical, Delta Faucet Company may elect to refund the purchase price in exchange for the return of the product. **These are your exclusive remedies.**

Delta Faucet Company recommends using a professional plumber for all installation and repair. We also recommend that you use only genuine Brizo® replacement parts.

Delta Faucet Company shall not be liable for any damage to the faucet resulting from misuse, abuse, neglect or improper or incorrectly performed installation, maintenance or repair, including failure to follow the applicable care and cleaning instructions.

Replacement parts may be obtained by calling the applicable number below or by writing to:

**In the United States and Mexico:**

Delta Faucet Company  
Product Service  
55 E. 111th Street  
Indianapolis, IN 46280  
1-877-345-BRIZO (2749)  
customerservice@deltafaucet.com

**In Canada:**

Masco Canada Limited, Plumbing Group  
Technical Service Centre  
350 South Edgeware Road  
St. Thomas, Ontario, Canada N5P 4L1  
1-877-345-BRIZO (2749)  
customerservice@mascocanada.com

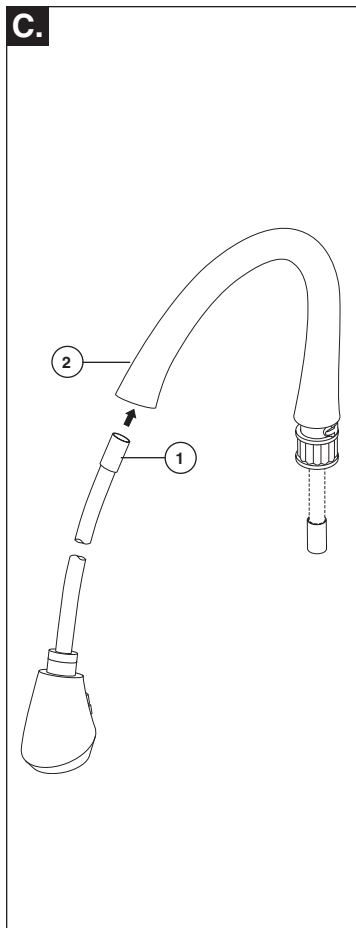
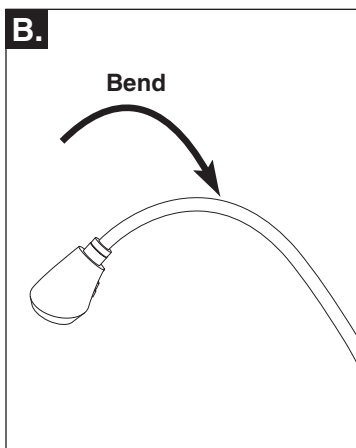
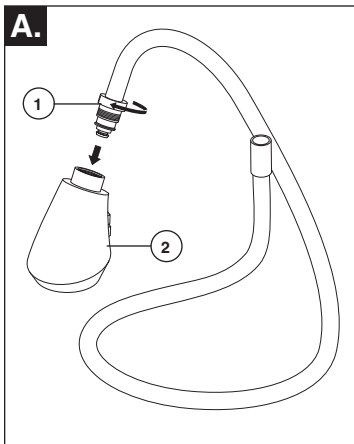
Proof of purchase (original sales receipt) from the original purchaser must be made available to Delta Faucet Company for all warranty claims unless the purchaser has registered the product with Delta Faucet Company. This warranty applies only to Brizo® faucets manufactured after January 1, 1995 and installed in the United States of America, Canada and Mexico.

DELTA FAUCET COMPANY SHALL NOT BE LIABLE FOR ANY SPECIAL, INCIDENTAL OR CONSEQUENTIAL DAMAGES (INCLUDING LABOR CHARGES) FOR BREACH OF ANY EXPRESS OR IMPLIED WARRANTY ON THE FAUCET. Some states/provinces do not allow the exclusion or limitation of special, incidental or consequential damages, so these limitations and exclusions may not apply to you. This warranty gives you special legal rights. You may also have other rights which vary from state/province to state/province.

This is Delta Faucet Company's exclusive written warranty and the warranty is not transferable.

If you have any questions or concerns regarding our warranty, please view our Warranty FAQs at [www.Brizo.com](http://www.Brizo.com), email us at [customerservice@deltafaucet.com](mailto:customerservice@deltafaucet.com) or call us at the applicable number above.

# 1



## Hose Installation

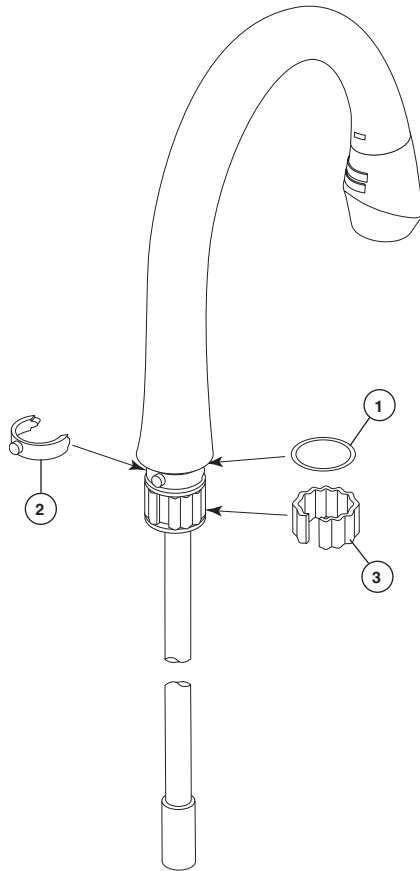
**A.** Thread hose (1) into spray wand (2).

**C.** Insert hose (1) into and through spout sub-assembly (2).

**B.** To allow for easier assembly, bend hose near wand as shown.

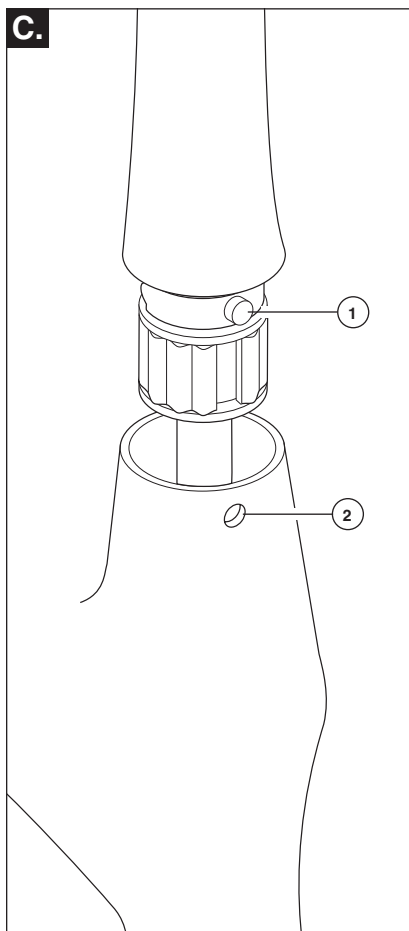
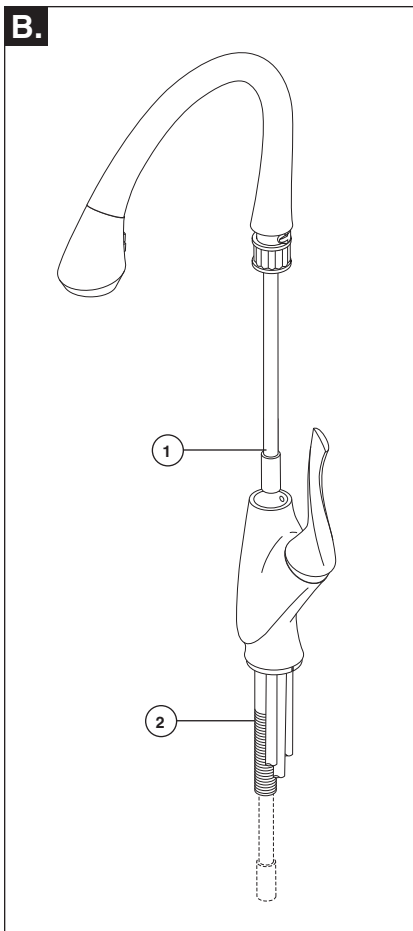
2

A.



## Spout Assembly

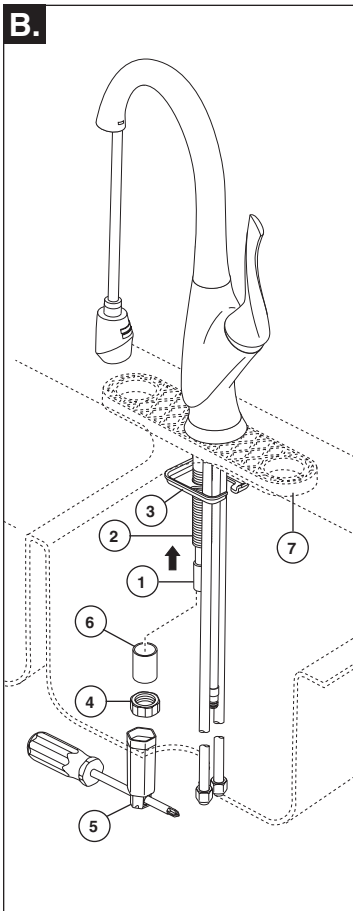
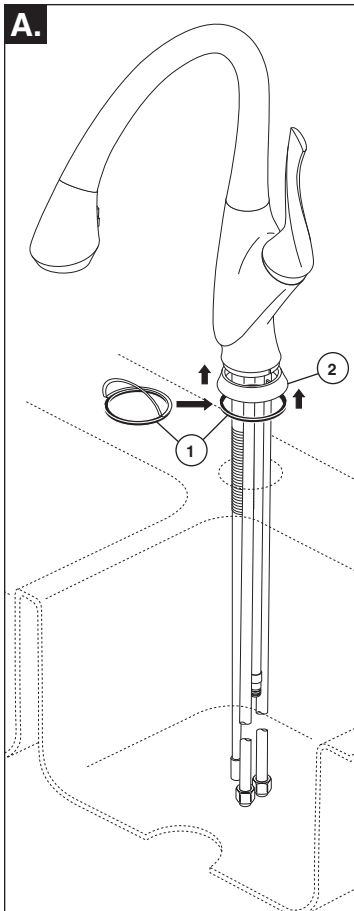
- A.** Verify friction washer (1), spout clip (2) and spout ring (3) are present on spout assembly.



## Spout Assembly (Continuation)

**B.** Insert hose (1) through guide in hub and out through mounting shank (2).

**C.** Align button (1) on spout clip with hole in hub (2), then insert spout into hub. Use back-and-forth motion to insert spout assembly into hub until clip button slips into hole. Rotate spout assembly to ensure smooth operation. **USE CAUTION NOT TO PINCH FINGERS.**

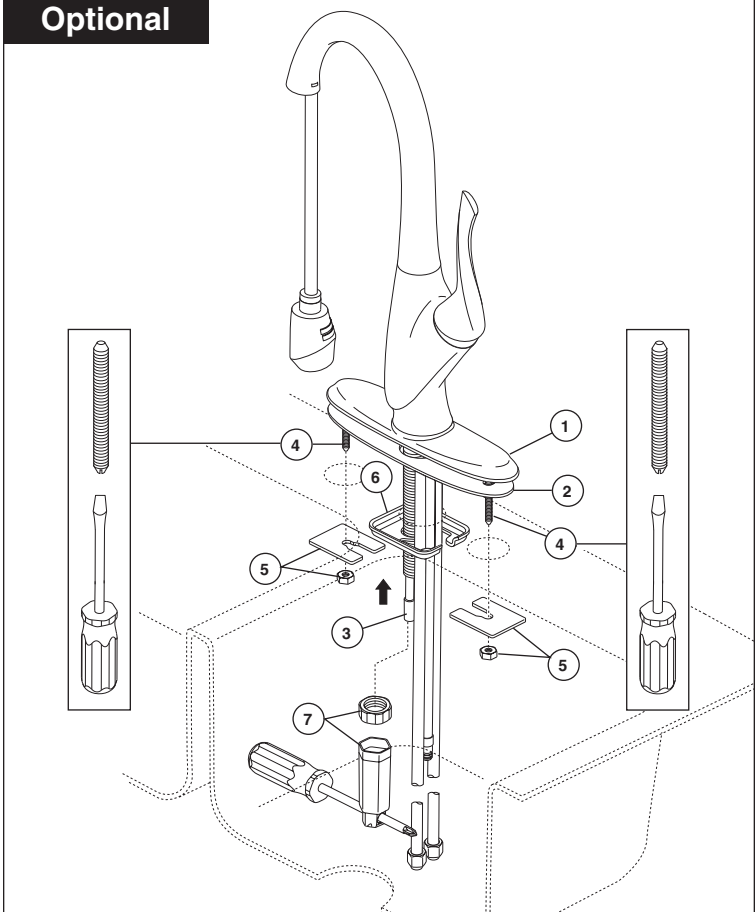
**3**

## Faucet Installation - Center Mount

**A.** Remove adhesive backing on trim ring gasket (1) and press into place on trim ring (2). Place trim ring on bottom of spout hub. Insert supply tubes through mounting hole in sink. Your faucet is designed for a hole diameter of  $1\frac{3}{8}'' \pm \frac{1}{4}''$  (35 mm  $\pm$  6 mm) and a deck thickness of up to 3" (76 mm). Maximum deck thickness of soap dispenser is 3" (76 mm).

**B.** Push hose (1) partially up into mounting shank (2). Install the mounting bracket (3) and nut (4) onto the mounting shank using wrench (5). For decks up to  $1\frac{3}{8}''$  (35 mm) thick use spacer (6) provided between nut and mounting bracket.

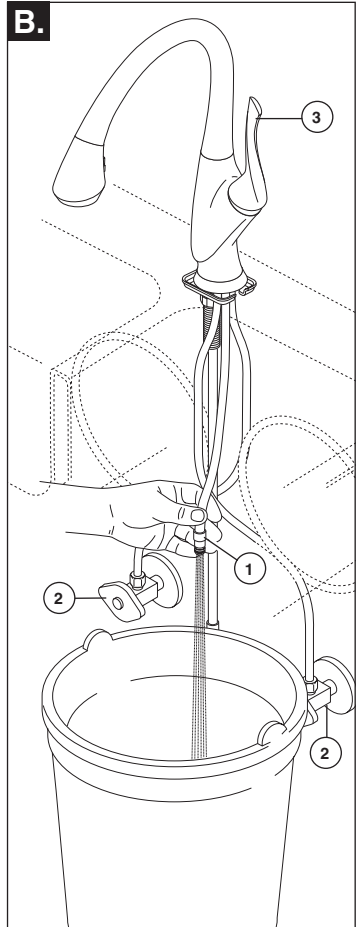
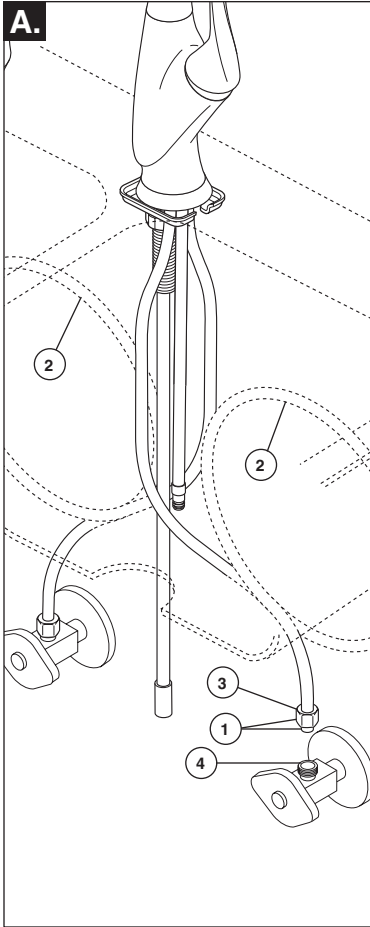
**Note 1:** The wrench provided is designed to be used with a variety of tools: flat/Phillips head screwdrivers, wrenches, etc. **Note 2:** For thin gauge sinks (not recommended), use the thin deck aid (7) RP49588 as shown for single and 3 hole installations to help support the deck. *HINT: Turn the spout tube opposite the handle to balance the assembly when mounting.*

**3****Optional****Optional Escutcheon Installation**

For optional installations using the 10" escutcheon, order RP49588 (specify finish) not supplied. Replace the trim ring with the 10" escutcheon (1) and gasket (2). Push hose (3) partially up into mounting shank. Mount as shown above using the

two 1/4-20 studs (4), nuts and washers (5), bracket (6) with nut and wrench (7). **The wrench provided is designed to be used with a variety of tools: flat/Phillips head screwdrivers, wrenches, etc.**

# 4A

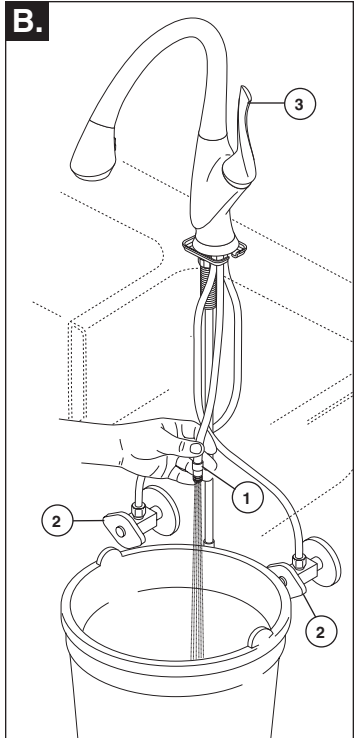
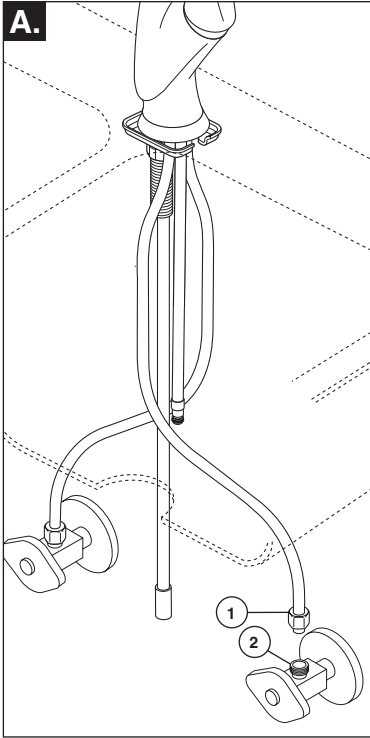


## Water Line Connections

**A.** Ensure all fittings and end connections are free of debris. Faucet fittings (1) are 3/8" compression, with ends colored red for hot and blue for cold. Loop tubing (2) if it is too long. **Note: Recommended tubing minimum bend diameter is 8".** Secure metal nut (3) on faucet tube to supply valve connection (4) and hand tighten, then tighten one additional turn with wrench. **DO NOT OVERTIGHTEN.** Repeat for other tube. **WARNING: Do not use pipe dope or other sealants on water line connections.**

**B.** Place bucket under faucet quick connect fitting (1), open both supply valves (2) and turn faucet valve on by operating handle (3) for one minute. **Important: This flushes away any debris that could cause damage to internal components.** When complete, close both supply valves and turn faucet valve off to shut off water flow.



**4B**

## Custom Fit Connections

**NOTICE:** If you determine the PEX supply tubing for this faucet is too long and must be shorter to create an acceptable installation, be sure to read the instructions and plan ahead. When cutting the supply tubing the installer accepts the responsibility to do so in a way that allows a leak-free joint to be created. Delta is not responsible for tubing that is cut too short or cut in a way that will not allow for a leak-free joint.

For custom fit installations, you must use RP50952 sleeves supplied with model and nuts included on supply lines. **Tube cut must be straight.** See plastic sleeve installation instructions found in RP50952 and included in this document (page 11) for more information.

- A.** Secure metal nut (1) on faucet tube to supply valve connection (2) and hand tighten, then tighten an additional 2 turns with wrench. **DO NOT OVERTIGHTEN.** Repeat for other tube. **WARNING: Do not use pipe dope or other sealants on water line connections.**
- B.** Place bucket under faucet quick connect fitting (1), open both supply valves (2) and

turn faucet valve on by operating handle (3) for one minute. **Important: This flushes away any debris that could cause damage to internal components.** When complete, close both supply valves and turn faucet valve off to shut off water flow.

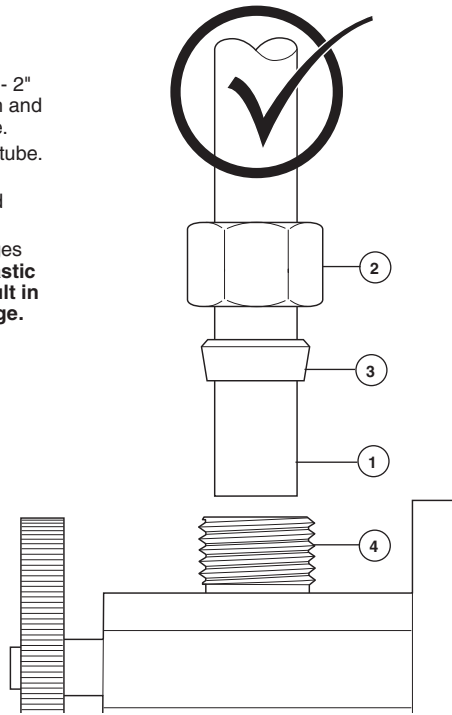
## Potential Problems and Remedies

- **Tubing is not cut perpendicular to the axis of the tub:** carefully make an additional cut, being careful not to cut the tube too short.
- **Tubing is cut too short:** buy a coupling union and a replacement supply line that mate together from a store. The coupling union end intended to connect to the faucet must mate to the standard 3/8" connection nuts and plastic sleeves supplied with the faucet.
- **The plastic sleeve or connection nut is lost:** purchase a replacement nut and/or plastic sleeve that are designed to seal with PEX tubing. **NOTICE: DO NOT use a metal sleeve, RP51243 gasket (supplied with faucet) or ferrule in the place of the plastic sleeve supplied, it may not create a leak-free joint.**

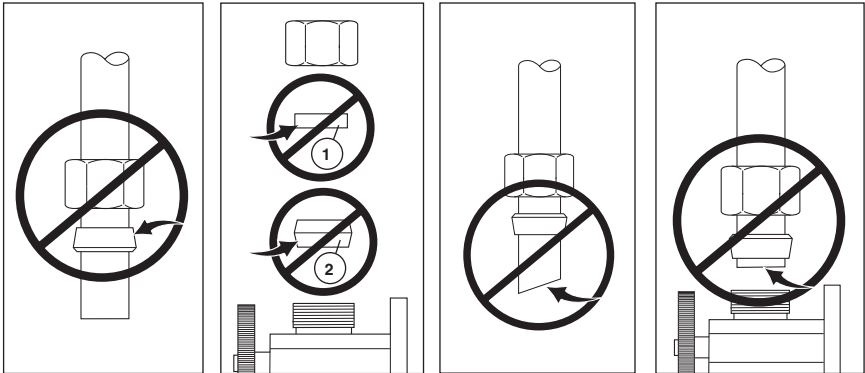
# Custom Fit Connections - Plastic Sleeve Installation Instructions

## Correct method

1. Identify desired length of tube (1). Leave 1" - 2" of extra length to allow for easier installation and cut tube. Ensure cut is straight and burr free.
2. Slide nut (2) and plastic sleeve (3) onto cut tube. Ensure sleeve is oriented as shown.
3. Insert tube into outlet fitting (4). Tube should touch bottom of hole inside fitting.
4. Slide plastic sleeve down tube until it engages top of fitting. **WARNING: Failure to use plastic sleeve in the correct orientation will result in disconnection and possible water damage.**
5. Slide nut over plastic sleeve. With wrench, tighten nut 2 turns past finger tight.



## Incorrect Installation



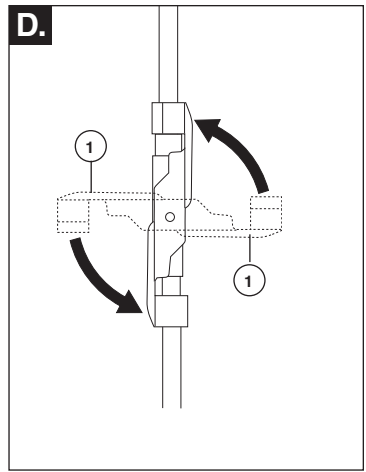
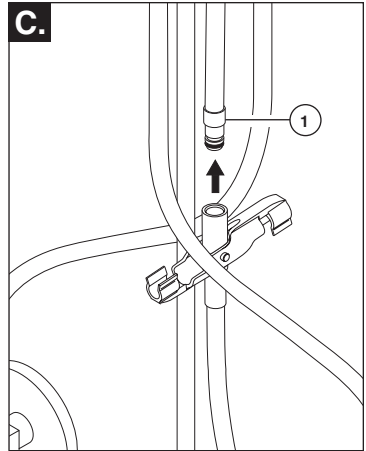
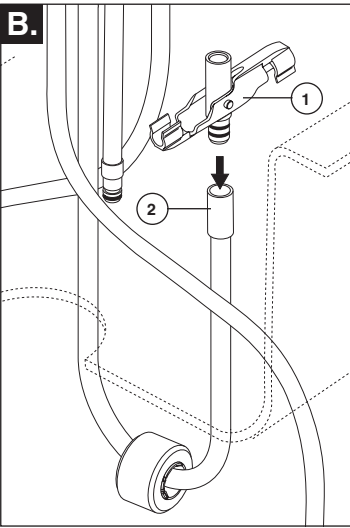
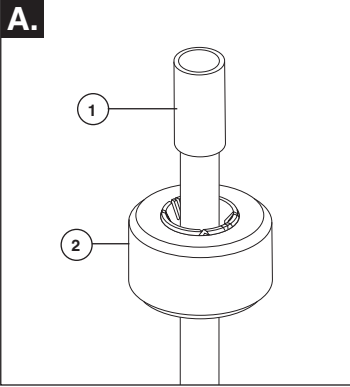
**Do not** install sleeve upside down.

**Do not** use RP51243 gasket (1) supplied with PEX tubing or brass ferrule (2) supplied with valve stops.

Ensure cut is straight.

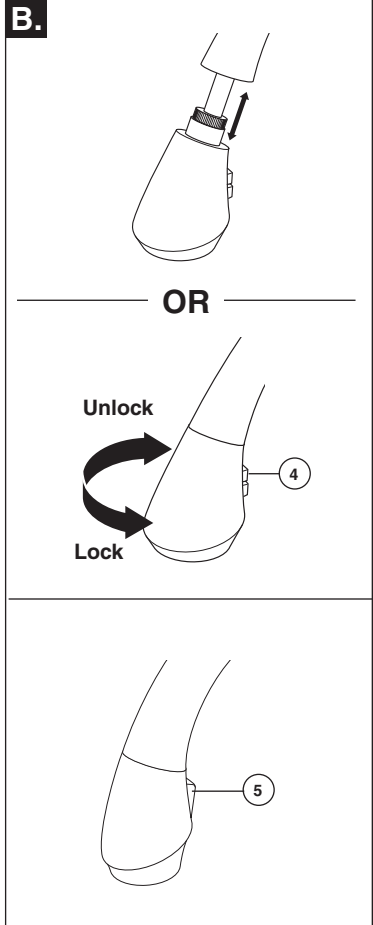
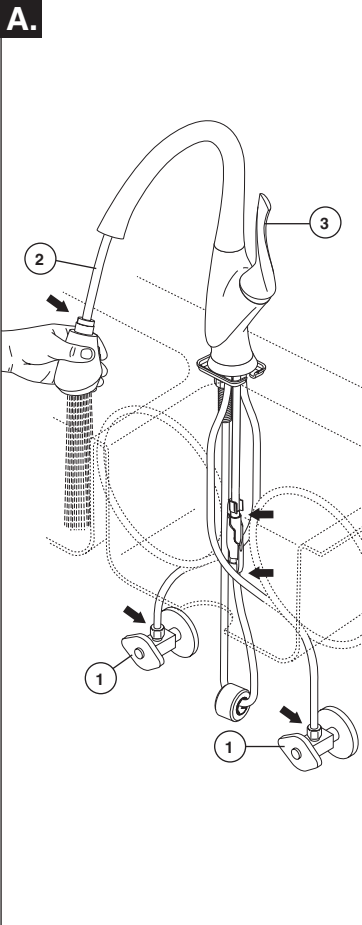
Ensure tube is fully inserted into stop before sliding sleeve down to engage top of fitting.

# 5



## Sprayer Hose Connections

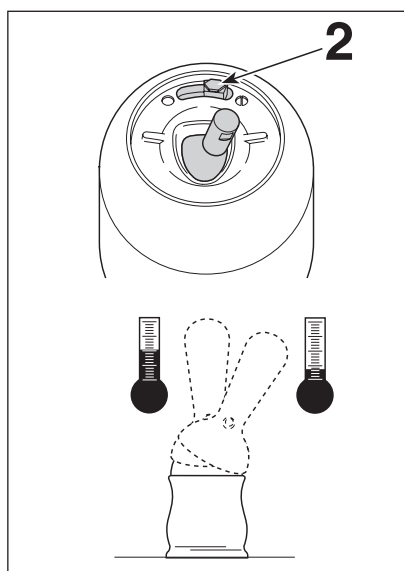
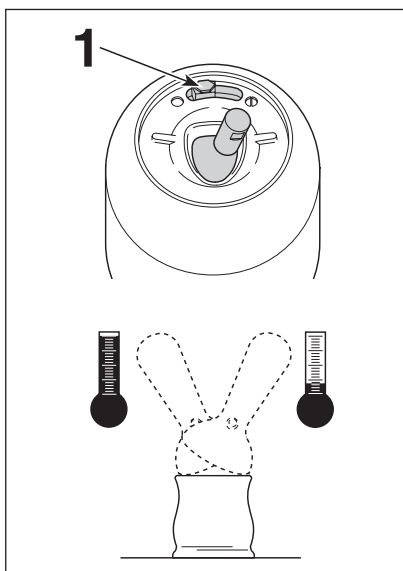
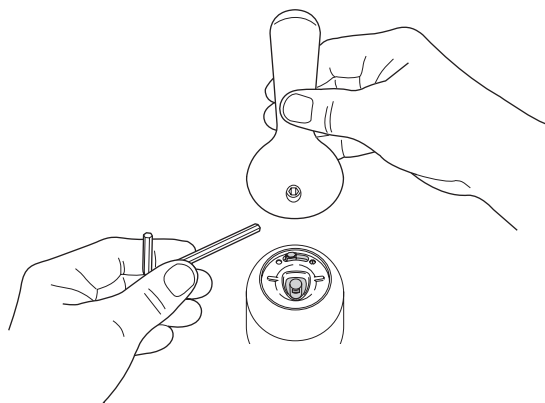
- A.** Insert hose end (1) through hose weight assembly (2).
- B.** Insert check-valve adapter (1) into pull-out hose fitting (2). Ensure weight does not slide off hose.
- C.** Insert faucet outlet quick connect fitting (1) into adapter.
- D.** Rotate arms of adapter (1) to secure assembly to pull-out hose and faucet outlet tube.

**6**

## Faucet Inspection and Operation

**A.** Turn on hot and cold water supplies (1). Pull the hose assembly (2) out of the spout. Be sure to hold the end of the sprayer down into the sink and turn faucet handle (3) to the mixed position for one minute. Check all connections at arrows for leaks. Re-tighten if necessary, but do not overtighten.

**B.** Sprayer will lock into position when brought into proximity of the spout magnet. The sprayer can be removed by either pulling directly out from the spout or by twisting 90° in either direction which will cause the magnets to repel and the head to decouple from the spout (recommended). Check the operation of the sprayer by operating the trigger (4) from aerator to spray. The diverter will remain in the last diverted mode. To reduce or pause flow, push selector button further into wand. The bar/prep faucet is a two function sprayer only. Press button (5) to choose between modes.



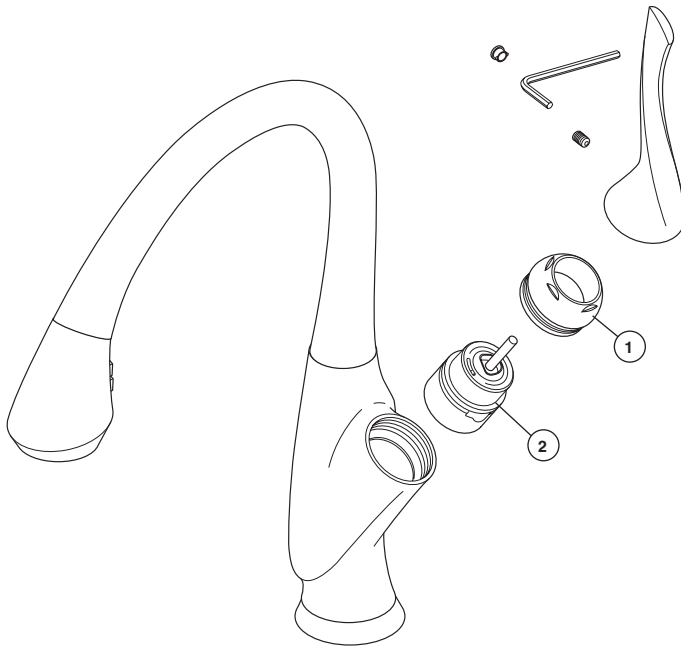
### Setting The Handle Limit Stop (Optional)

This faucet includes an integrated handle limit stop that has two positions. Position 1, to the left, allows full handle motion (the full range between “all cold” to “all hot”). The faucet is set in position 1 in the factory. Position 2, to the right, allows half of the normal handle motion (“all cold” to “mixed hot/cold”).

The handle limit stop can be adjusted by the homeowner once the faucet is installed. Setting the handle limit stop in position 2 may help to prevent scalding

because it limits the amount of hot water in the mix; however, this handle limit stop will not always prevent scalding because it does not compensate for incoming pressure or sudden water temperature changes.

**To change positions of the handle limit stop:** remove the handle; move the valve stem to the all cold position so the water is on; change the position of the handle limit stop; turn off the water; reinstall the handle.



---

## Maintenance

**If faucet leaks from under handle:**  
Remove handle and ensure cap (1) is tight.

**If leak persists—SHUT OFF WATER SUPPLIES.** Replace valve cartridge (2).

**If faucet leaks from spout outlet—SHUT OFF WATER SUPPLIES.** Replace valve cartridge (2).

## Cleaning And Care

Care should be given to the cleaning of this product. Although its finish is extremely durable, it can be damaged by harsh abrasives or polish. To clean, simply wipe gently with a damp cloth and blot dry with a soft towel.

---

## Backflow Protection System

Your Brizo® Faucet pull-down spout incorporates a backflow protection system that has been tested to be in compliance with ASME A112.18.3 and ASME A112.18.1 / CSA B125.1. It incorporates two certified check valves in series, which operate independently.

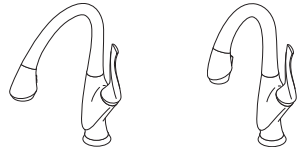
---

**Note:** A small amount of water may run out the spout or drip for a very short period after the faucet is shut off. This is a natural occurrence caused by the long flexible hose.

# BRIZO®

## LLAVES DE AGUA/GRIFOS DE CAÑO EXTRAÍBLE PARA COCINAS Y BARES / MULTI-PROPÓSITO

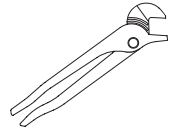
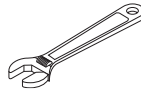
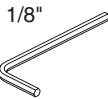
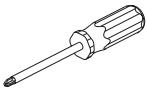
Modelos  
63052LF y 63952LF  
Series  
**BELO®**



Escriba aquí el número del modelo comprado.

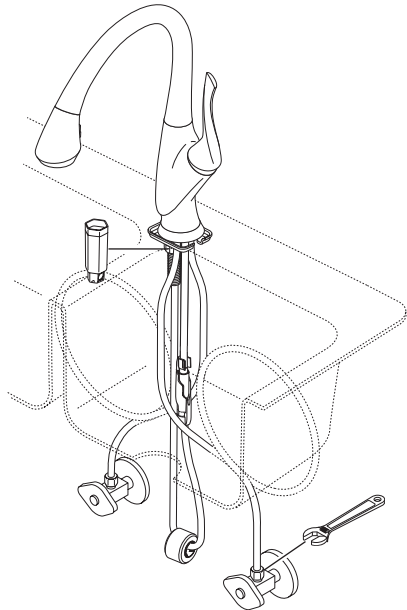
**ADVERTENCIA: ¡SESTA LLAVE NO SE DEBE UTILIZAR CON MAQUINAS  
LAVAPLATOS PORTATILES!**

**Usted puede necesitar:**



**Para instalación fácil de su llave  
Brizo® usted necesitará:**

- **LEER TODAS** las instrucciones completamente antes de empezar.
- **LEER TODOS** los avisos, cuidados, e información de mantenimiento.



## Índice:

Garantía -----	Página 2
Instrucciones para la Instalación -----	Páginas 3-13
Instalación de la Manga Plástica -----	Página 10
Fijando la parada de límite de la manija -----	Página 13
Mantenimiento -----	Página 14
Piezas de Repuesto -----	Páginas 15 y 16

### Garantía Limitada de las Llaves de Agua (grifos) Brizo®

#### Piezas y acabado

Todas las piezas (excepto las piezas electrónicas y las pilas) y los acabados de esta llave de agua Brizo® están garantizados al consumidor comprador original de estar libres de defectos en material y fabricación durante el tiempo que el comprador original posea la vivienda en la que la llave de agua fue originalmente instalada o, para los consumidores comerciales, durante 5 años a partir de la fecha de compra.

#### Componentes electrónicos y pilas (si aplicable)

Todas las piezas (salvo las pilas), si hay, de esta llave de agua Brizo® están garantizadas al consumidor comprador original de estar libres de defectos en materiales y fabricación durante 5 años a partir de la fecha de compra o, para los usuarios comerciales, por un año a partir de la fecha de compra. No se garantizan las pilas.

Delta Faucet Company reemplazará, SIN CARGO, durante el período de garantía aplicable, cualquier pieza o acabado que pruebe tener defectos de material y/o fabricación bajo la instalación, uso y servicio normal. Si la reparación o su reemplazo no es práctico, Delta Faucet Company tiene la opción de reembolsarle su dinero por la cantidad del precio de compra a cambio de la devolución del producto. **Estos son sus únicos recursos.**

Delta Faucet Company recomienda que use los servicios de un plomero profesional para todas las instalaciones y reparaciones. También le recomendamos que utilice sólo las piezas de repuesto originales de Brizo®.

Delta Faucet Company no será responsable por cualquier daño a la llave de agua que resulte del mal uso, abuso, negligencia o mala instalación o mantenimiento o reparación incorrecta, incluyendo el no seguir los cuidados aplicables y las instrucciones de limpieza.

Las piezas de repuesto se pueden obtener llamando al número correspondiente más abajo, o escribiendo a:

#### En los Estados Unidos y México:

Delta Faucet Company  
Product Service  
55 E. 111th Street  
Indianapolis, IN 46280  
1-877-345-BRIZO (2749)  
customerservice@deltafaucet.com

#### En Canadá:

Masco Canada Limited, Plumbing Group  
Technical Service Centre  
350 South Edgeware Road  
St. Thomas, Ontario, Canada N5P 4L1  
1-877-345-BRIZO (2749)  
customerservice@mascocanada.com

La prueba de compra (recibo original) del comprador original debe ser disponible a Delta Faucet Company para todos los reclamos a menos que el comprador haya registrado el producto con Delta Faucet Company. Esta garantía le aplica sólo a las llaves de agua de Brizo® fabricadas después del 1 de enero 1995 e instaladas en los Estados Unidos de América, Canadá y México.

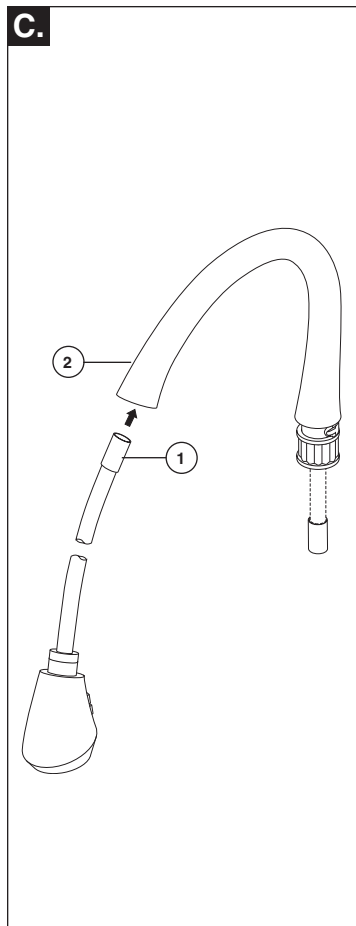
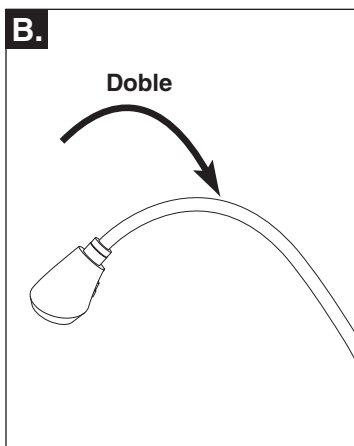
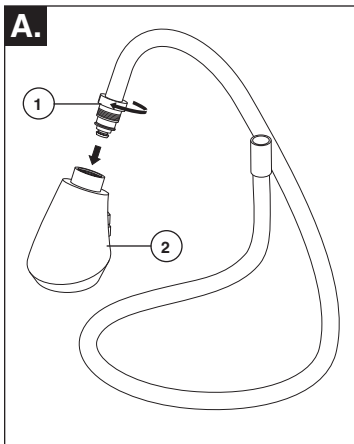
DELTA FAUCET COMPANY NO SE HACE RESPONSABLE POR CUALQUIER DAÑO ESPECIAL, INCIDENTAL O CONSECUENTE (INCLUYENDO LOS GASTOS DE MANO DE OBRA) POR EL INCUMPLIMIENTO DE CUALQUIER GARANTÍA EXPRESA O IMPLÍCITA DE LA LLAVE DE AGUA. Algunos estados/provincias no permiten la exclusión o limitación de daños especiales, incidentales o consecuentes, por lo que estas limitaciones y exclusiones pueden no aplicarle a usted. Esta garantía le otorga derechos legales. Usted también puede tener otros derechos que varían de estado/provincia a estado/provincia.

Esta es la garantía exclusiva por escrito de Delta Faucet Company y la garantía no es transferible.

Si usted tiene alguna pregunta o inquietud acerca de nuestra garantía, por favor, vea nuestra sección de preguntas frecuentes FAQ sobre la garantía en [www.Brizo.com](http://www.Brizo.com), también puede enviarnos un correo electrónico a [customerservice@deltafaucet.com](mailto:customerservice@deltafaucet.com) o llámenos al número que le corresponda anteriormente incluido.

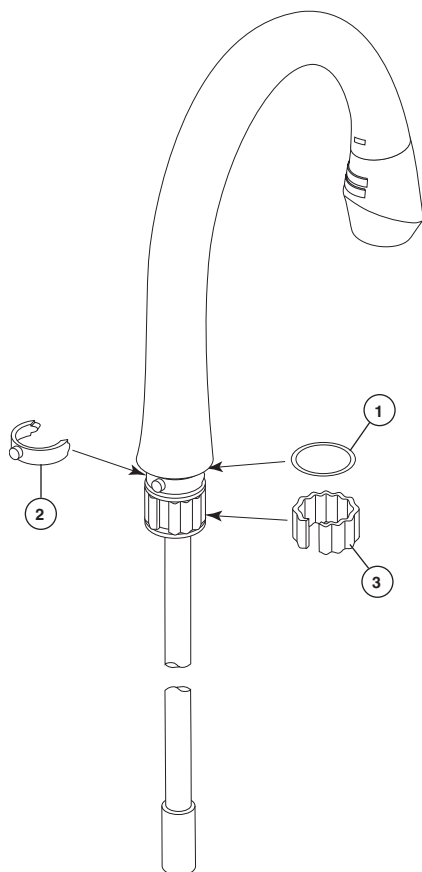


# 1



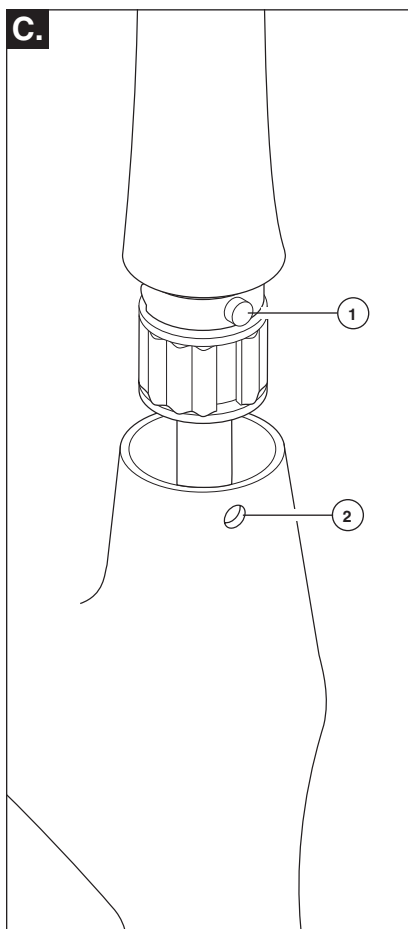
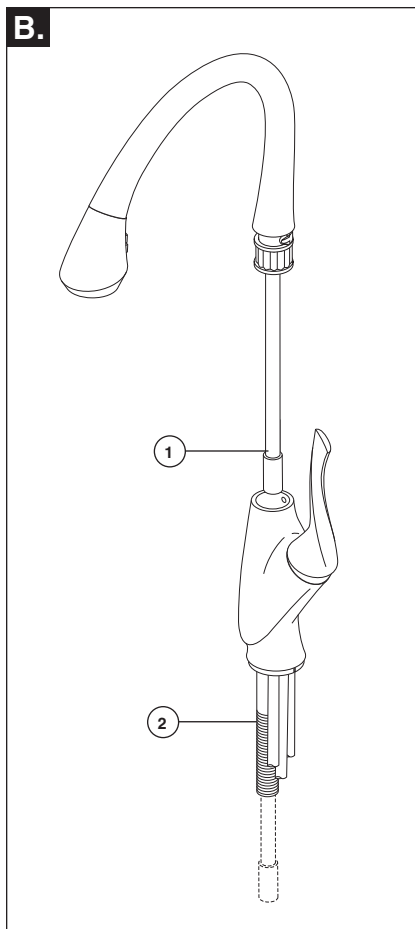
## Instalación de la Manguera

- A.** Enrosque la manguera (1) en el mango del rociador (2).
- B.** Para permitir un ensamble más fácil, doble la manguera cerca del mango como se muestra.
- C.** Introduzca la manguera (1) en y a través del sub-ensamble del surtidor (2).

**2****A.**

## Ensamble de Surtidor

- A.** Verifique si la arandela de fricción (1), gancho del surtidor (2) y el aro del surtidor (3), están presentes en el ensamble del surtidor.

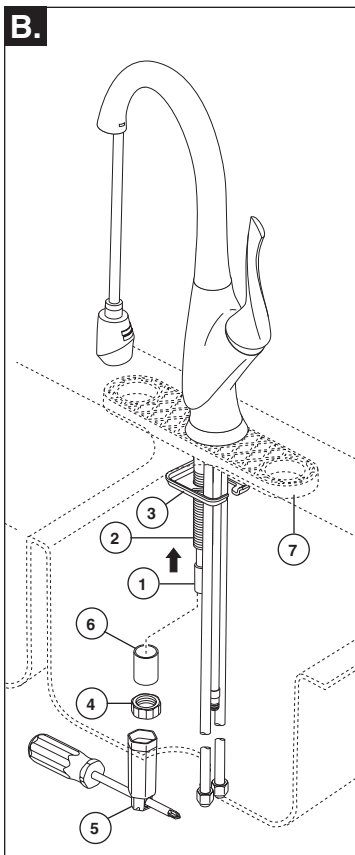
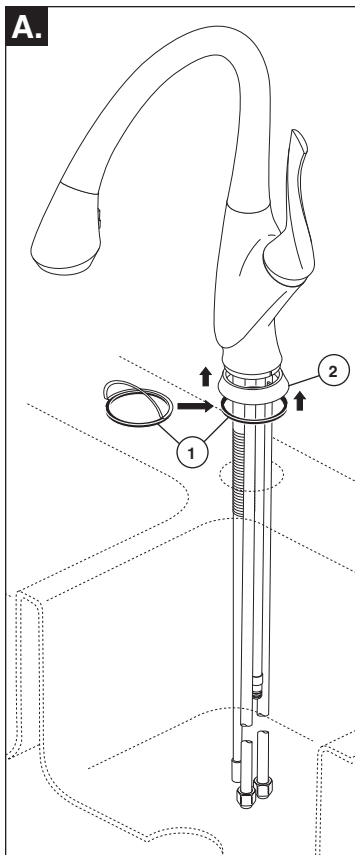


## Ensamble de Surtidor (Continuación)

**B.** Introduzca la manguera (1) por la guía en el cuerpo y hacia fuera por la espiga de instalación (2).

**C.** Alinee el botón (1) en el gancho del surtidor con el agujero en el cuerpo (2), luego introduzca el surtidor en el cuerpo. Use un movimiento de vaivén para introducir el ensamble del surtidor en el cuerpo hasta que el botón del gancho quede introducido en el agujero. Gire el ensamble del surtidor para asegurar un funcionamiento suave. **USE CAUTELA PARA NO PELLIZCARSE LOS DEDOS.**

3



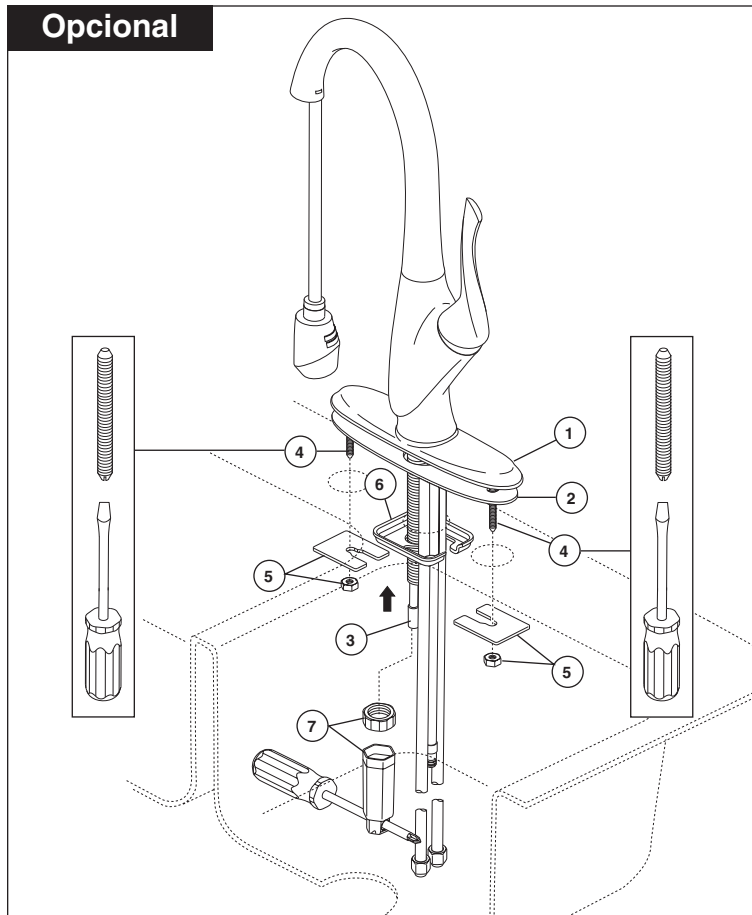
## Instalación de la Llave de Agua – Instalación de Centro

**A.** Quite el adhesivo al dorso del empaque del aro de accesorio (1) y oprima en su sitio en el aro de accesorio (2). Coloque el aro de accesorio en el fondo del cuerpo del surtidor. Introduzca las tuberías de suministro de agua a través del orificio para la instalación del fregadero. Su llave de agua está diseñada para un orificio de  $1\ 3/8'' \pm 1/4''$  (35 mm  $\pm$  6 mm) de diámetro y un grosor de la encimera de 3" (76 mm). El grosor máximo de las encimeras para los dispensadores de jabón es 3" (76 mm).

**B.** Deje pasar la manguera (1) parcialmente hacia arriba en la espiga de instalación (2). Instale el soporte de la instalación (3) y la tuerca (4) en la espiga de instalación usando la llave de tuercas (5). Para encimeras de un grosor hasta  $1\ 3/8''$  (35 mm) use un separador (6) incluido, entre la tuerca y el soporte de instalación. **Nota 1: La llave de tuercas incluida está diseñada para usarse con una variedad de herramientas: destornilladores de cabeza plana/Phillips, llaves de tuercas, etc.** **Nota 2: Para fregaderos delgados (no se recomienda), use el refuerzo (7) RP49588 para soporte de la encimera como se muestra para instalación sencilla y de 3 orificios.** **SUGERENCIA:** Cuando haga la instalación gire el caño del surtidor en dirección opuesta a la manija para balancear el ensamble.

# 3

## Opcional

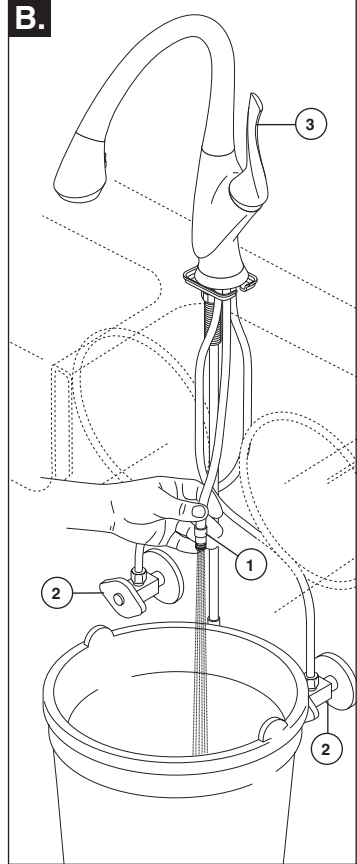
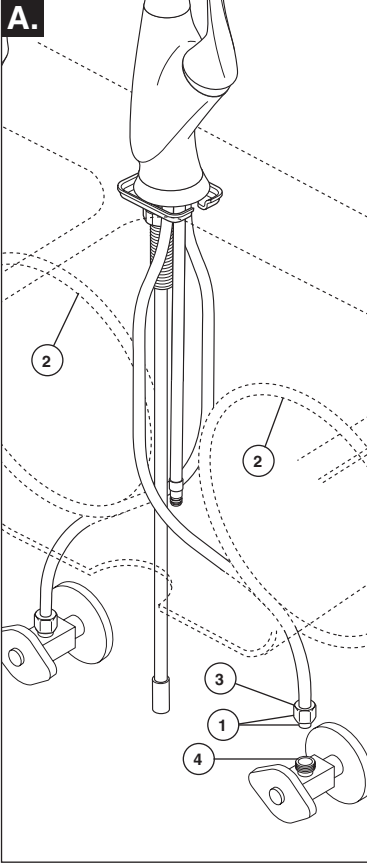


### Instalación de una Chapa Opcional

Para instalaciones opcionales usando la chapa o chapetón de 10", ordene la pieza RP49588 (especifique el acabado) no se incluye. Reemplace el aro de accesorio por la chapa de 10" (1) y el empaque (2). Pase la manguera (3) parcialmente hacia arriba por la espiga de instalación. Instale como se muestra arriba usando los

pernos de 2 1/4-20 (4), las tuercas y arandelas (5), el soporte (6) con la tuerca y la llave de tuercas (7). **La llave de tuercas incluida está diseñada para usarse con una variedad de herramientas: destornilladores de cabeza plana/Phillips, llaves de tuercas, etc.**

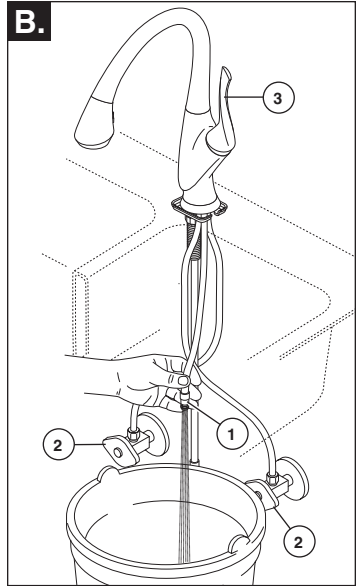
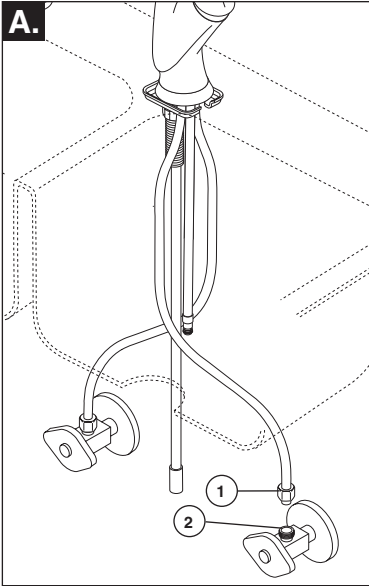
# 4A



## Conexiones a la Línea de Agua

**A.** Asegúrese que todos los accesorios y las conexiones finales estén libres de residuos. Los accesorios (1) son de compresión de 3/8", con los extremos de color rojo para el agua caliente y azul para el agua fría. Enlace las tuberías (2) si es muy larga. **Nota: La curva mínima recomendada es de 8" de diámetro.** Fije la tuerca de metal (3) en el tubo de la llave de agua a la conexión (4) y apriete a mano, luego apriete con una vuelta adicional con una llave de tuercas. **NO APRIETE DEMASIADO.** Repita con el otro tubo. **AVISO: No use compuesto para tuberías u otros selladores en las conexiones de la tubería de agua.**

**B.** Coloque un cubo por debajo de la conexión rápida de la llave de agua (1) y abra por un minuto ambas válvulas (2) y manija (3) de suministro de agua. **Importante: Esto limpia cualquier residuo que pudiera causar daño a los componentes internos.** Cuando termine cierre ambas válvulas y manija de suministro de agua.

**4B**

## Conexiones Especiales

**AVISO:** Si usted determina que la tubería PEX para el suministro de agua para esta llave de agua es muy larga y debe recortarse para crear una instalación aceptable, asegúrese leer las instrucciones y planifique de antemano. Cuando corte la tubería de suministro el instalador acepta la responsabilidad de hacerlo de una manera que permite crear una articulación sin filtraciones. Delta no se responsabiliza por las tuberías que se han cortado demasiado cortas o cortadas de una manera que no permite una articulación libre de filtración.

Para instalaciones hechas a la medida, usted debe usar mangas RP50952 incluidas con el modelo y las tuercas incluidas en las tuberías de suministro. El corte del tubo debe ser recto. Vea las instrucciones para la instalación de la manga plástica incluida con el RP50952 y para más información incluida en este documento (página 11).

- A.** Fije la tuerca de metal (1) ubicada en el tubo de la llave de agua o grifo a la conexión de la válvula de suministro (2) y apriete a mano, luego apriete 2 vueltas adicionales con la llave de tuercas. **NO APRIETE DEMASIADO.** Repita con la otra tubería. **AVISO: No use compuesto para tuberías u otros selladores en las conexiones de la tubería de agua.**

- B.** Coloque un cubo por debajo de la conexión

rápida de la llave de agua (1) y abra por un minuto ambas válvulas (2) y la manija (3) de suministro de agua.

**Importante:** Esto limpia cualquier residuo que pudiera causar daño a los componentes internos. Cuando termine cierre ambas válvulas y la manija de suministro de agua.

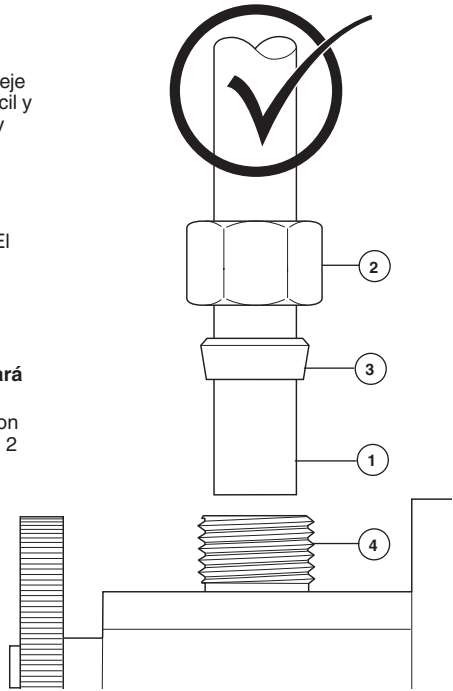
### Problemas Potenciales y Soluciones

- **La tubería no está cortada perpendicular al eje de la bañera:** cuidadosamente haga un corte adicional, teniendo cuidado de no cortar el tubo demasiado corto.
- **La tubería está cortada demasiado corta:** compre en un almacén un acoplamiento de unión y una tubería de suministro de repuesto que acoplen. El extremo de la unión de acoplamiento que es para conectar a la llave de agua debe acoplar con las tuercas estándares de 3/8" y mangas de plástico incluidas con la llave de agua / grifo.
- **La manga plástica o la tuerca de conexión se ha perdido:** compre una tuerca de repuesto y/o manga plástica diseñada para sellar con la tubería PEX. **AVISO: No use una manga de metal, RP51243 empaque (suministrado con el grifo) o casquillo, en vez de la manga incluida puede no crear una articulación sin filtración.**

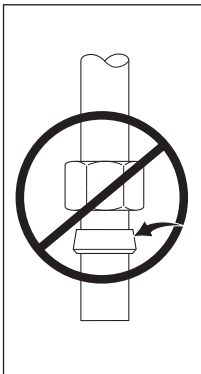
# Instrucciones para la Instalación del la Manga Plástica

## Método Correcto

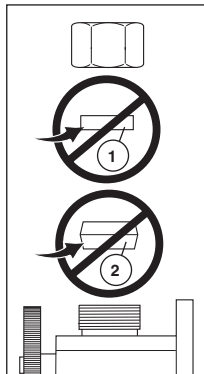
1. Identifique la longitud deseada del tubo (1). Deje 1" – 2" de soltura para una instalación más fácil y sin rebabas. Asegure que el corte sea recto y sin rebabas.
2. Resbale la tuerca (2) y la manga plástica (3) sobre el tubo cortado. Asegure la manga se orienta según lo demostrado.
3. Introduzca el tubo dentro del accesorio (4). El tubo debe tocar el fondo del agujero dentro del accesorio.
4. Deslice la manga plástica hacia abajo en el tubo hasta que encaje en la parte superior del accesorio. **AVISO: El no usar la manga plástica en la orientación correcta resultará en desconexión y posible daño por agua.**
5. Deslice la tuerca sobre la manga plástica. Con la llave de tuercas, apriete la tuerca dándole 2 vueltas más de si fuera apretado a mano.



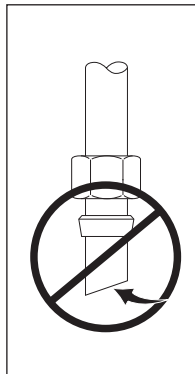
## Instalación Incorrecta



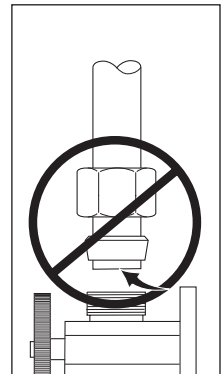
**No instale** la manga boca abajo.



**No use** RP51243 empaque (1) suministrado con el tubería de PEX o el casquillo de bronce (2) suministrado con las válvulas de cierre.



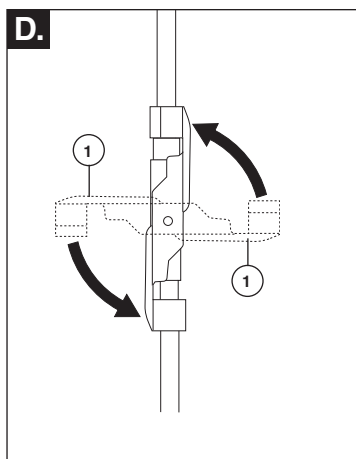
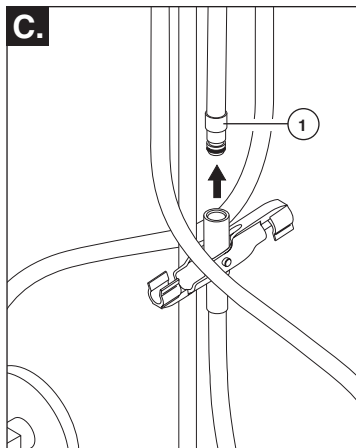
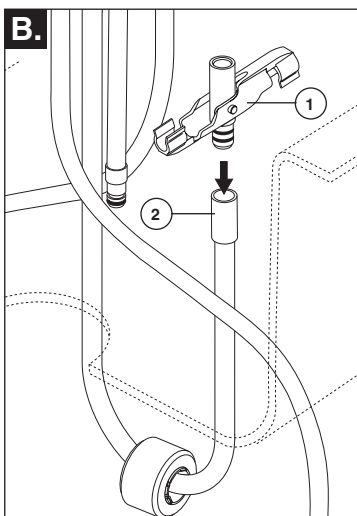
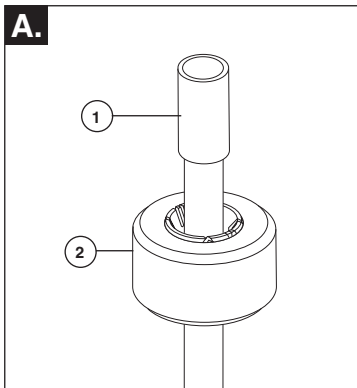
Asegúrese que el corte esté recto.



Asegúrese que el tubo este completamente introducido dentro del tope antes de deslizar la manga hacia abajo para encajar la parte superior del accesorio.



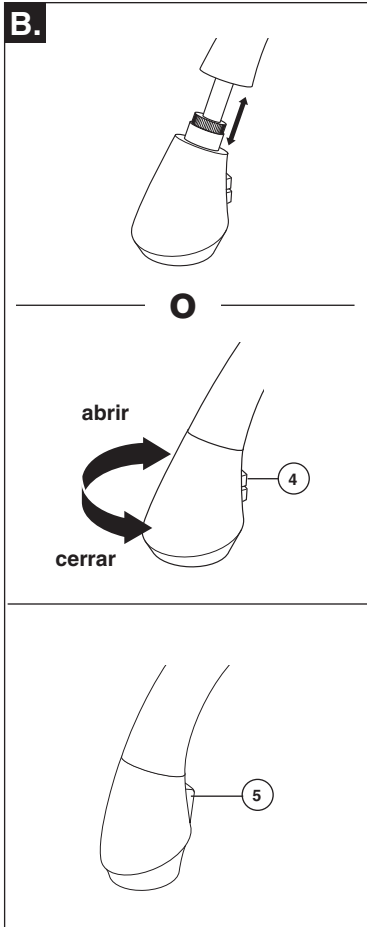
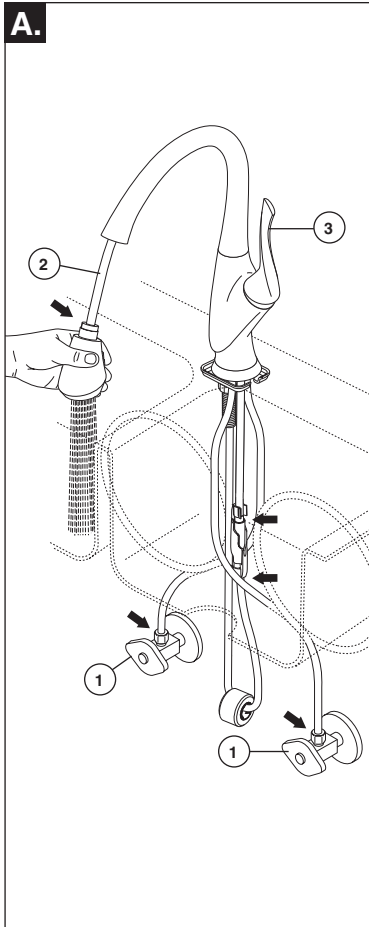
# 5



## Conexiones de la Manguera con Rociador

- A.** Introduzca el extremo de la manguera (1) por el ensamble de la pesa de la manguera (2).
- B.** Introduzca el adaptador de la válvula de retención (1) en el accesorio extraíble de la manguera (2). Asegúrese que la pesa no se deslice de la manguera.
- C.** Introduzca el empalme de conexión rápida en el extremo de salida de agua del grifo (1) en el adaptador.
- D.** Gire el adaptador (1) para fijar el ensamble a la manguera extraíble y el tubo de salida de la llave de agua.

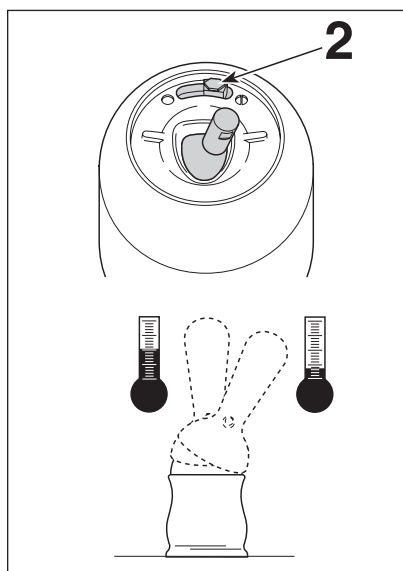
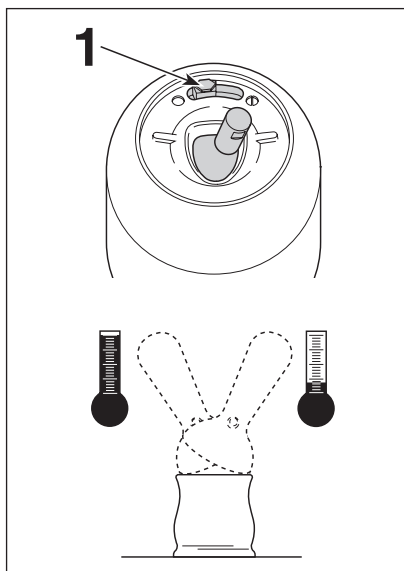
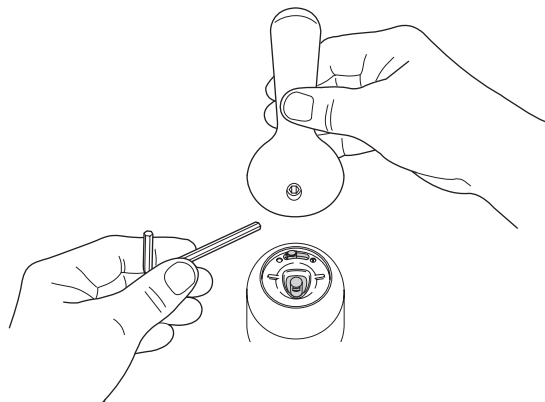
# 6



## Inspección de la Llave de Agua / Grifo y Funcionamiento

**A.** Abra los suministros de agua caliente y fría (1). Hale la manguera extraíble (2) del surtidor. Asegúrese de sujetar el extremo de rociador hacia el fregadero y abra la llave de agua con la manija (3) a la posición mixta por un minuto. Examine todas las conexiones en los puntos señalados con flechas donde pudiera haber filtraciones. Apriete de nuevo si es necesario, pero no apriete demasiado.

**B.** El rociador quedará fijo en su posición cuando se acerca al imán del surtidor. El rociador puede sacarse halándolo directamente hacia fuera del surtidor o girándolo 90° en cualquier dirección que hará que los imanes se repelen y la cabeza de desconecte del surtidor (se recomienda). Examine el funcionamiento del rociador al operar el gatillo (4) del aireador al rociador. El desviador permanecerá en el último modo que usó. Para reducir o parar el flujo, oprima el botón de selección más adentro en el mango. La llave de agua para bares / multi-propósito es de sólo dos funciones de rocío. Oprima el botón (5) para escoger entre los modos.



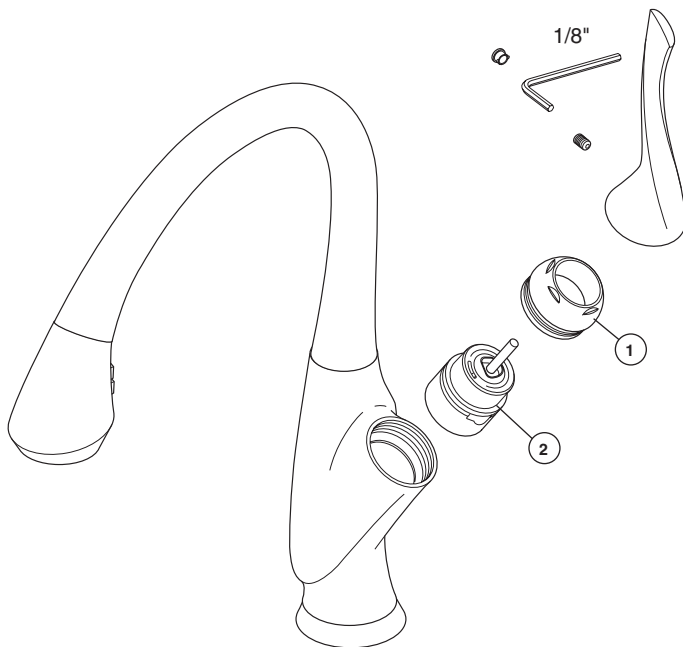
### Fijando la parada de límite de la manija (opcional)

Esta llave de agua incluye una manija integrada, que tiene dos posiciones, para limitar la temperatura. La posición 1, a la izquierda, permite el movimiento completo de la manija (el alcance completo entre el agua "totalmente fría" hasta "totalmente caliente"). La fábrica preselecciona la llave de agua (grifo) a la posición 1. La posición 2, a la derecha, permite la mitad del alcance de movimiento normal de la manija ("totalmente fría" a la posición "mixta caliente/fría").

Una vez que la llave de agua (grifo) se ha instalado, el límite rotacional de la manija puede ajustarse por el propietario de la residencia. Ajustando la manija de

ajuste del tope del límite de la temperatura a la posición 2 puede ayudar a prevenir escaldaduras porque limita la cantidad de agua caliente en la mezcla; sin embargo, esta manija que limita la temperatura del agua no siempre prevendrá escaldaduras porque no compensa la presión del agua de entrada o cambios repentinos de la temperatura del agua.

**Para cambiar las posiciones de la manija que limitan la temperatura:** quite la manija; cambie la posición de la espiga de la válvula a la posición totalmente fría de manera que el agua este abierta; cambie la posición de la manija que limita la temperatura; cierre el agua; reinstale la manija.



## Mantenimiento

### Si la llave de agua tiene una filtración por debajo de la manija:

Quite la manija y asegúrese que la tapa (1) está apretada.

**Si la filtración persiste – CIERRE LOS SUMINISTROS DE AGUA.** Cambie el cartucho de la válvula (2).

**Si la llave de agua tiene una filtración desde la salida del surtidor – CIERRE LOS SUMINISTROS DE AGUA.** Cambie el cartucho de la válvula (2).

## Limpieza Y Cuidado De Su Llave

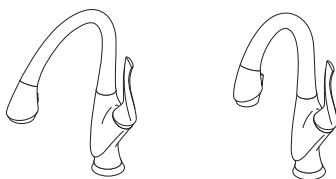
Tenga cuidado al ir a limpiar este producto. Aunque su acabado es sumamente durable, puede ser afectado por agentes de limpieza o para pulir abrasivos. Para limpiar su llave, simplemente frótelas con un trapo húmedo y luego séquela con una toalla suave.

## Sistema de protección contra el contraflujo

Su llave de agua tipo deslizable Delta tiene un sistema de protección contra el contraflujo, incorporado, que ha sido probado para cumplir con los requisitos de ASME A112.18.3 y ASME A112.18.1 / CSA B125.1. Este incorpora en la pieza de mano dos válvulas de retención o checkadoras certificadas en una serie, las cuales operan independientemente

**Nota:** Una cantidad pequeña de agua puede escurrirse del surtidor o gotear por un período corto de tiempo después de cerrar el agua. Esto es una ocurrencia natural causada por la manguera larga flexible.

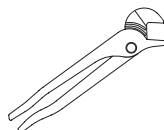
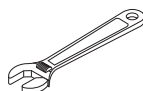
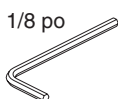
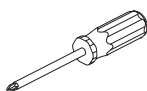
Modèles  
63052LF & 63952LF  
Séria  
**BELO®**



Inscrivez le numéro de modèle ici.

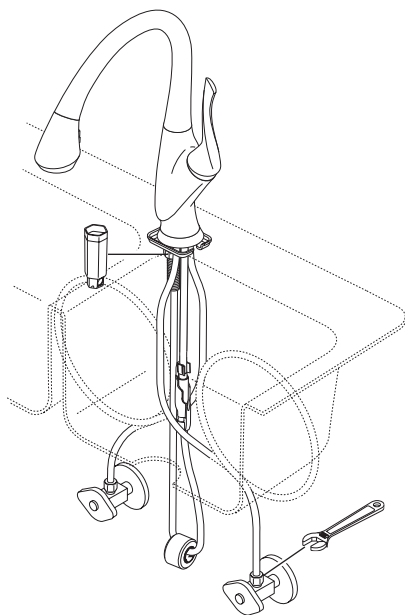
**MISE EN GARDE : NE PAS RACCORDER DE LAVE-VAISSELLE MOBILES À CE ROBINET!**

### Articles dont vous pouvez avoir besoin:



**Pour installer votre robinet Brizo® facilement, vous devez:**

- **LIRE TOUTES** les instructions avant de débiter;
- **LIRE TOUS** les avertissements ainsi que toutes les instructions de nettoyage et d'entretien;



## TABLE DES MATIÈRES

Garantie -----	Page 2
Instructions d'installation -----	Pages 3-13
Installation du manchon de plastique -----	Page 10
Plaçant l'arrêt de limite de poignée -----	Page 13
Maintenance -----	Page 14
Pièces de rechange -----	Pages 15 et 16

### Garantie limitée des robinets Brizo®

#### Pièces et finis

Toutes les pièces (à l'exception des composants électroniques et des piles) et tous les finis de ce robinet Brizo® sont protégés contre les défauts du matériau et les vices de fabrication par une garantie qui est consentie au premier acheteur et qui demeure valide tant que celui-ci demeure propriétaire de la maison dans laquelle le robinet a été installé. Dans le cas d'une utilisation commerciale, la garantie est de 5 ans à compter de la date d'achat.

#### Composants électroniques et piles (le cas échéant)

Si ce robinet Brizo® comporte des composants électroniques, ces composants (à l'exception des piles) sont protégés contre les défauts du matériau et les vices de fabrication par une garantie consentie au premier acheteur qui est d'une durée de 5 ans à compter de la date d'achat. Dans le cas d'une utilisation commerciale, la garantie est d'un an à compter de la date d'achat. Aucune garantie ne couvre les piles.

Delta Faucet Company remplacera, GRATUITEMENT, pendant la période de garantie applicable, toute pièce ou tout fini qui présentera une défectuosité du matériau et/ou un vice de fabrication pour autant que le robinet ait été installé, utilisé et entretenu normalement. S'il est impossible de réparer ou de remplacer le robinet, Delta Faucet Company pourra décider de rembourser le prix d'achat du produit pour autant que celui-ci lui soit retourné. **Il s'agit de vos seuls recours.**

Delta Faucet Company recommande de confier l'installation et la réparation à un plombier professionnel. Nous vous recommandons également d'utiliser uniquement des pièces de rechange authentiques Brizo®.

Delta Faucet Company se dégage de toute responsabilité à l'égard des dommages causés au robinet en raison d'un mauvais usage, d'un usage abusif, de la négligence ou de l'utilisation d'une méthode d'installation, de maintenance ou de réparation incorrecte ou inadéquate, y compris les dommages résultant du non-respect des instructions de nettoyage et d'entretien applicables.

Pour obtenir des pièces de rechange, veuillez appeler au numéro applicable ci-dessous ou écrire à l'adresse applicable ci-dessous.

#### Aux États-Unis et au Mexique :

Delta Faucet Company  
Product Service  
55 E. 111th Street  
Indianapolis, IN 46280  
1-877-345-BRIZO (2749)  
customerservice@deltafaucet.com

#### Au Canada:

Masco Canada Limited, Plumbing Group  
Technical Service Centre  
350 South Edgeware Road  
St. Thomas, Ontario, Canada N5P 4L1  
1-877-345-BRIZO (2749)  
customerservice@mascoCanada.com

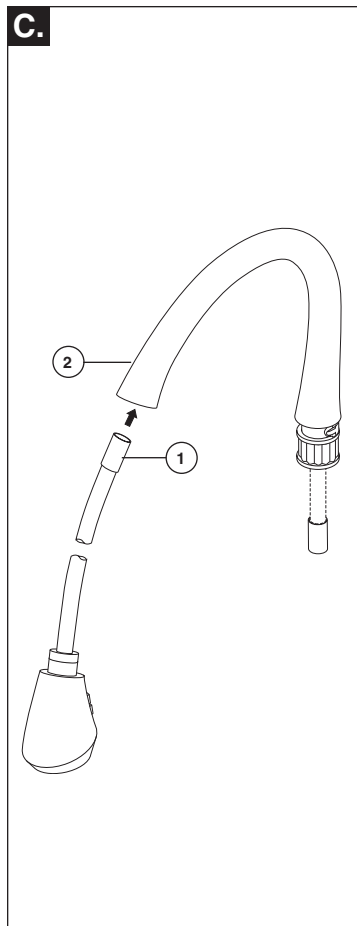
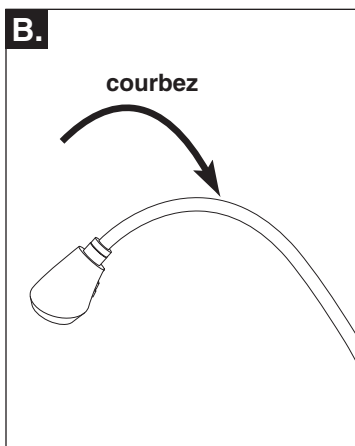
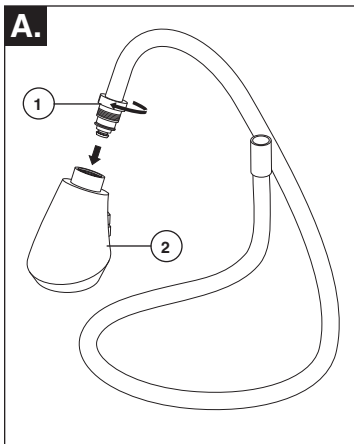
La preuve d'achat (reçu original) du premier acheteur doit être présentée à Delta Faucet Company pour toutes les demandes en vertu de la garantie, sauf si le produit a été enregistré auprès de Delta Faucet Company. La présente garantie s'applique uniquement aux robinets Brizo® fabriqués après le 1er janvier 1995 et installés aux États-Unis d'Amérique, au Canada et au Mexique.

DELTA FAUCET COMPANY SE DÉGAGE DE TOUTE RESPONSABILITÉ À L'ÉGARD DES DOMMAGES PARTICULIERS, CONSÉCUTIFS OU INDIRECTS (Y COMPRIS LES FRAIS DE MAIN-D'OEUVRE) QUI POURRAIENT RÉSULTER DE LA VIOLATION D'UNE GARANTIE IMPLICITE OU EXPLICITE QUELCONQUE SUR LE ROBINET. Dans les États ou les provinces où il est interdit de limiter ou d'exclure la responsabilité à l'égard des dommages particuliers, consécutifs ou indirects, les limites et les exclusions susmentionnées ne s'appliquent pas. La présente garantie vous donne des droits précis qui peuvent varier selon l'État ou la province où vous résidez.

La présente garantie écrite est la garantie exclusive offerte par Delta Faucet Company et elle n'est pas transférable.

Si vous avez des questions ou des préoccupations en ce qui concerne notre garantie, veuillez consulter la page Warranty FAQs à [www.Brizo.com](http://www.Brizo.com), faire parvenir un courriel à [customerservice@deltafaucet.com](mailto:customerservice@deltafaucet.com) ou nous appeler au numéro applicable.

# 1

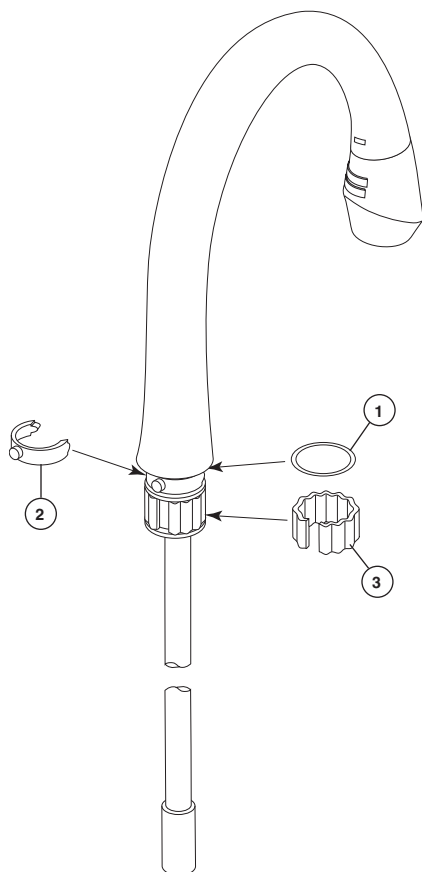


## Installation du flexible

**A.** Vissez le flexible (1) dans la poignée du bec-douchette (2).

**B.** Pour faciliter l'installation, courbez le flexible près de la poignée comme le montre la figure.

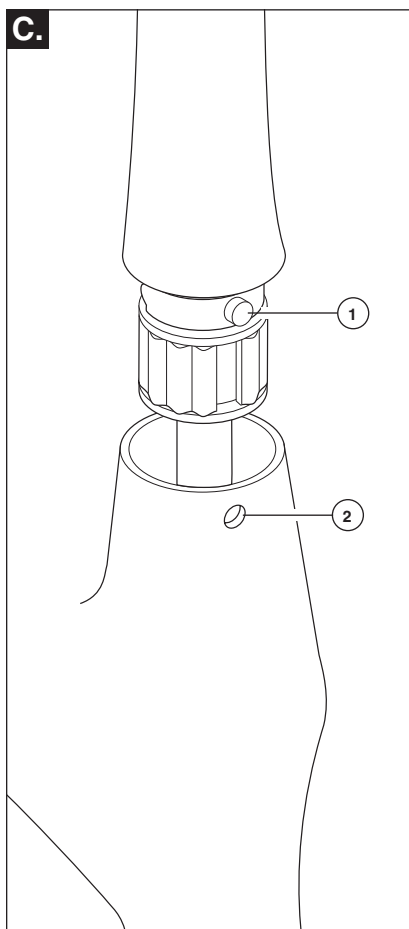
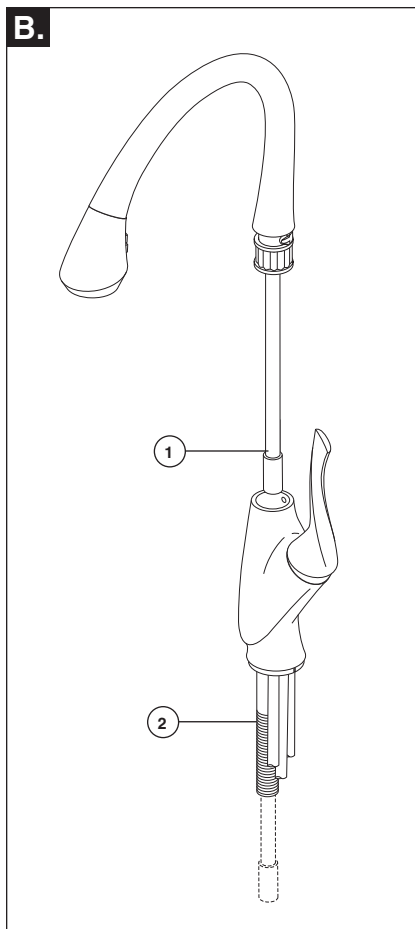
**C.** Introduisez le flexible (1) dans le bec et faites-le glisser de part en part du bec (2).

**2****A.**

## Installation du bec

- A.** Assurez-vous que la rondelle de frottement (1), l'agrafe du bec (2) et l'anneau du bec (3) se trouvent sur le bec.



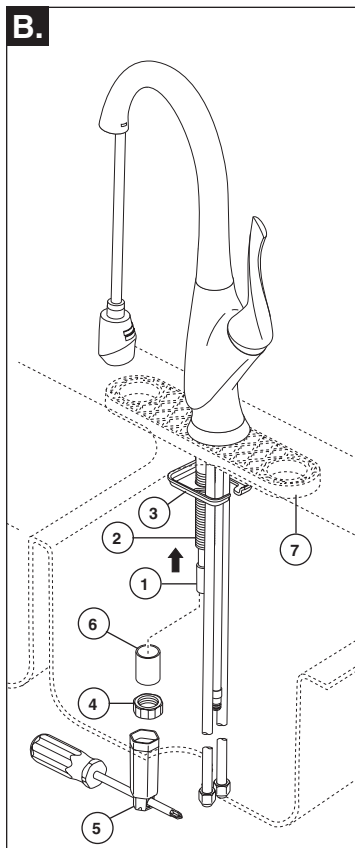
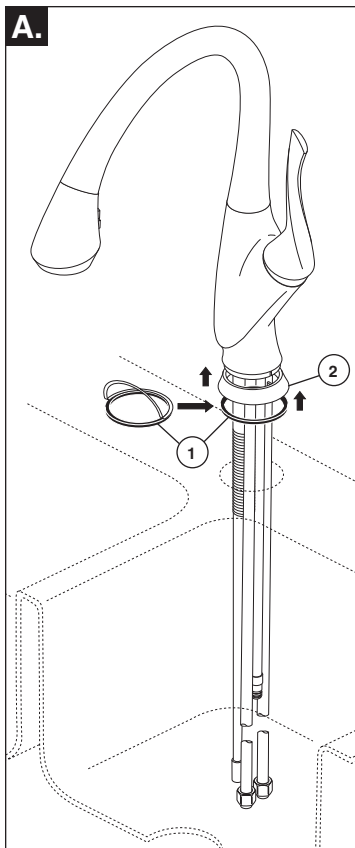


## Installation du bec (suite)

**B.** Introduisez le flexible (1) dans le guide du porte-bec, puis dans la tige de montage (2).

**C.** Faites correspondre le bouton (1) sur l'agrafe du bec avec le trou dans le porte-bec (2), puis introduisez le bec dans le porte-bec. Imprimez un mouvement de va-et-vient au bec pour l'introduire dans le porte-bec jusqu'à ce que le bouton de l'agrafe pénètre dans le trou. Faites pivoter le bec pour vous assurer qu'il pivote en douceur. **PRENEZ GARDE DE VOUS PINCER LES DOIGTS.**

3



## Installation du robinet – Montage dans le trou au centre de l'évier

**A.** Enlevez l'endos adhésif sur le joint circulaire (1) et placez-le contre l'anneau de finition (2). Exercez une pression sur le joint. Placez l'anneau de finition contre le dessous du porte-bec. Introduisez les tubes d'alimentation dans le trou de montage de l'évier. Le robinet est conçu pour un trou d'un diamètre de  $1\frac{3}{8} \pm \frac{1}{4}$  po (35 mm  $\pm$  6 mm) et pour un comptoir d'une épaisseur maximale de 3 po (76 mm). L'épaisseur maximale admissible pour le distributeur de savon est de 3 po (76 mm).

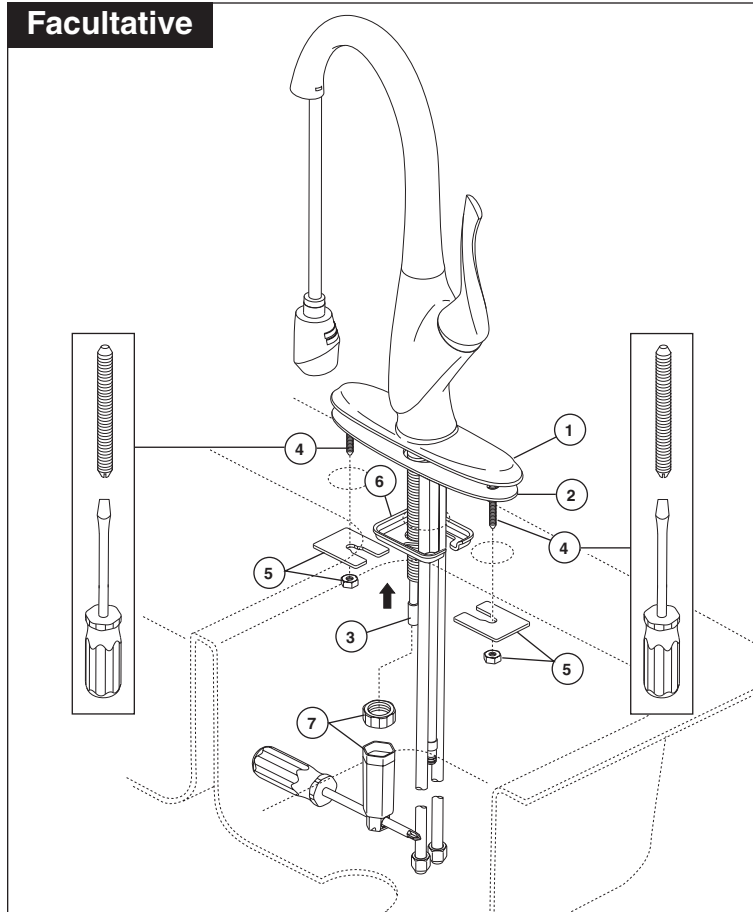
**B.** Introduisez le flexible (1) partiellement dans la tige de montage (2). Installez le support (3) et l'écrou (4) sur la tige de montage à l'aide de la clé (5). Si le comptoir a  $1\frac{3}{8}$  po (35 mm) d'épaisseur ou moins, placez la cale (6) fournie entre l'écrou et le support de montage.

**Note 1 : La clé fournie est conçue pour être utilisée avec une variété d'outils : tournevis à extrémité plate ou Phillips, clés, etc. Note 2 : Si l'évier est mince (non recommandé), supportez le comptoir avec la plaque de renfort (7) RP49588, comme le montre la figure, qu'il s'agisse d'une installation dans un ou trois trous.**

*Conseil : Placez le bec du côté opposé à celui de la manette pour équilibrer le robinet pendant le montage.*

3

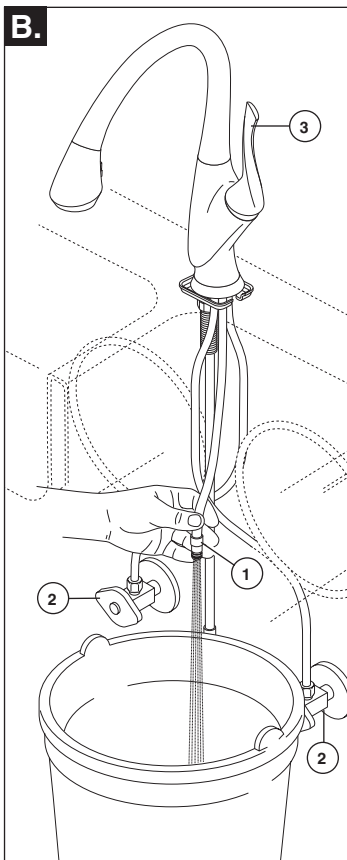
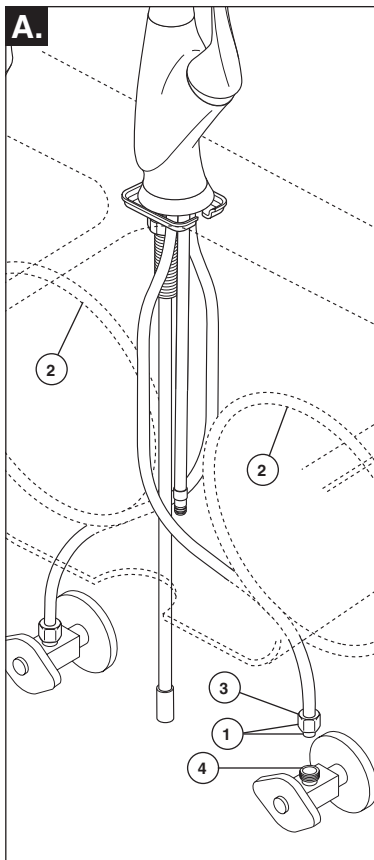
## Facultative



### Installation de la plaque de finition facultative

Pour une installation nécessitant la plaque de finition facultative de 10 po, commandez le kit RP49588 (précisez le fini) non fourni. Remplacez l'anneau de finition par la plaque de finition de 10 pouces (1) et le joint (2). Poussez le flexible (3) partiellement vers le haut dans la tige de montage.

Montez la plaque comme le montre la figure ci-dessus à l'aide des goujons 2 1/4 - 20 (4), des écrous et des rondelles (5) et du support (6) avec l'écrou et la clé (7). **La clé fournie est conçue pour être utilisée avec une variété d'outils : tournevis à extrémité plate ou Phillips, clés, etc.**

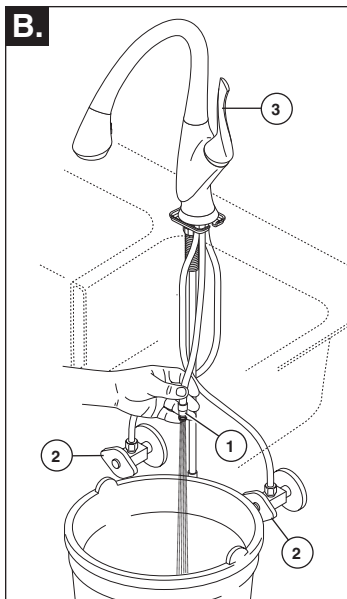
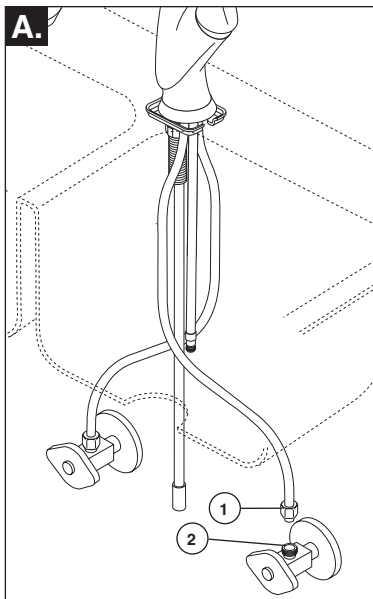
**4A**

## Branchement à la tuyauterie

**A.** Assurez-vous que tous les raccords sont exempts de corps étrangers. Le branchement est effectué au moyen de raccords de robinetterie (1) 3/8 po à compression. L'extrémité du raccord d'eau chaude est rouge et celle du raccord d'eau froide est bleue. Faites une boucle avec le tube (2) s'il est trop long. **Note : Le diamètre minimal de la courbure doit être d'au moins 8 po.** Vissez l'écrou métallique (3), qui se trouve sur le tube du robinet, sur le raccord du robinet d'alimentation (4) et serrez-le à la main, puis faites un tour supplémentaire avec une clé. **PRENEZ GARDE DE TROP SERRER.** Raccordez l'autre tube de la même manière.

**MISE EN GARDE : N'utilisez pas de pâte à joint ni d'autres produits d'étanchéité sur les raccords de tuyauterie.**

**B.** Placez un seau sous le raccord rapide (1), puis ouvrez les deux robinets d'alimentation (2) et la poignée (3) et laissez-les ouverts une minute. **Important : Cette opération vise à évacuer les débris qui pourraient abîmer les composants internes.** Fermez ensuite les deux robinets d'alimentation et la poignée.

**4B**

## Spéciaux Tuyauterie Branchement

**NOTIFICATION : Si le tube d'alimentation en PEX de ce robinet est trop long et doit être raccourci, lisez les instructions et prenez le temps de réfléchir. Vous devez couper le tube de manière à obtenir un joint étanche. Delta n'accepte aucune responsabilité si le tube a été coupé trop court ou d'une manière qui empêche le joint d'être étanche.**

Dans le cas des installations sur mesure, vous devez utiliser les manchons RP50952 fournis avec le robinet et les écrous qui se trouvent sur les arrivées d'eau. Le tube doit être coupé d'équerre. Pour obtenir plus de renseignements, veuillez consulter les instructions d'installations des manchons en plastique qui se trouvent dans le kit RP50952 et qui sont incluses dans le présent document (page 11).

- A.** Vissez l'écrou métallique (1), qui se trouve sur le tube du robinet, sur le raccord du robinet d'alimentation (2) et serrez-le à la main. Serrez-le à la main, puis faites deux tours à l'aide d'une clé. **PRENEZ GARDE DE TROP SERRER.** Raccordez l'autre tube de la même manière. **MISE EN GARDE : N'utilisez pas de pâte à joint ni d'autres produits d'étanchéité sur les raccords de tuyauterie.**
- B.** Placez un seau sous le raccord rapide (1), puis ouvrez les deux robinets d'alimentation

(2) et la poignée (3) et laissez-les ouverts une minute. **Important : Cette opération vise à évacuer les débris qui pourraient abîmer les composants internes.** Fermez ensuite les deux robinets d'alimentation et la poignée.

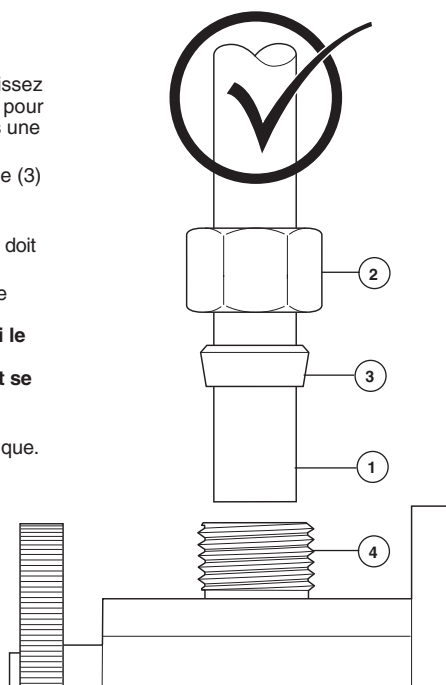
### Problèmes possibles et correctifs

- **Le tube n'est pas coupé d'équerre :** Faites une nouvelle coupe en prenant garde de ne pas trop raccourcir le tube.
- **Vous avez coupé le tube trop court :** Achetez un raccord-union et un tube d'arrivée d'eau de rechange dans un magasin. L'extrémité du raccord-union à raccorder au robinet doit être compatible avec les écrous 3/8 po standard et les manchons en plastique fournis avec le robinet.
- **Vous avez perdu un manchon en plastique ou un écrou de raccordement :** Achetez un écrou et/ou un manchon en plastique conçus pour former un raccord étanche avec un tube PEX. **NOTIFICATION : Évitez d'utiliser un manchon métallique, RP51243 le joint (fournie avec le robinet) ou une virole à la place du manchon en plastique fourni. Le joint ne sera pas étanche.**

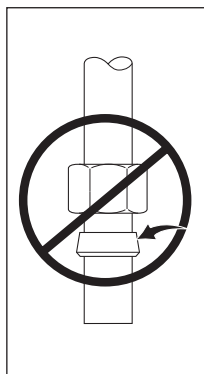
# Instructions d'installations de le manchon en plastique

## Bonne méthode

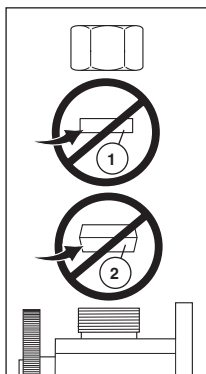
1. Identifiez la longueur désirée du tube (1). Laissez 1 à 2 pouces de la longueur supplémentaire pour faciliter l'installation et coupez le tube. Faites une coupe d'équerre et enlevez les bavures.
2. Glissez l'écrou (2) et la manchon en plastique (3) sur le tube coupé. Assurez la manchon est orienté comme montré.
3. Introduisez le tube dans le raccord (4). Le tube doit toucher le fond du trou à l'intérieur du raccord.
4. Faites glisser le manchon en plastique dans le tube jusqu'à ce qu'il pénètre dans la partie supérieure du raccord. **MISE EN GARDE : Si le manchon en plastique n'a pas été installé dans l'orientation correcte, le raccord peut se défaire et l'eau peut occasionner des dommages.**
5. Faites glisser l'écrou sur le manchon en plastique. Serrez-le à la main, puis faites deux tours à l'aide d'une clé.



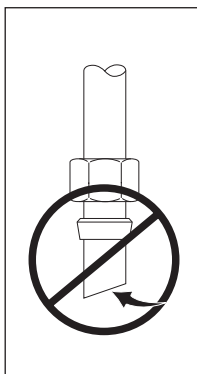
## Installation Incorrecte



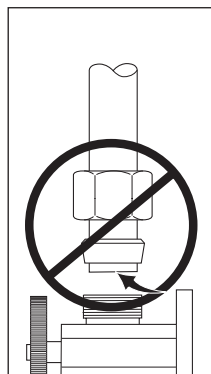
N'installez pas le manchon à l'envers.



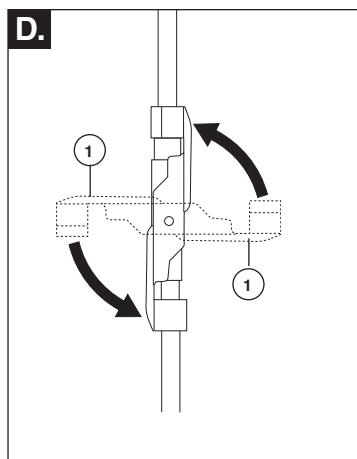
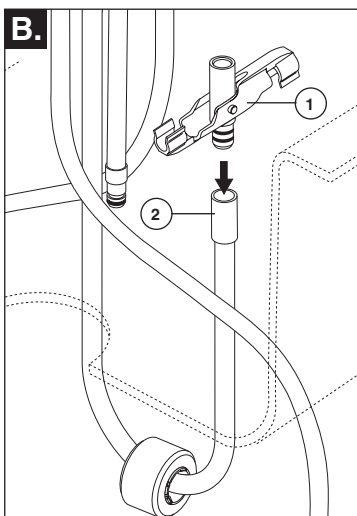
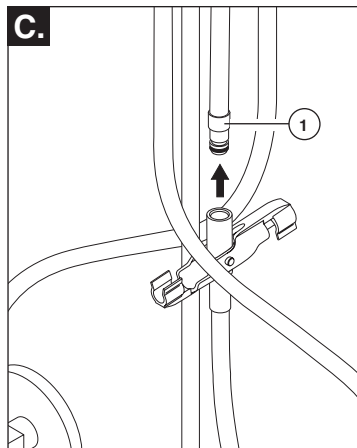
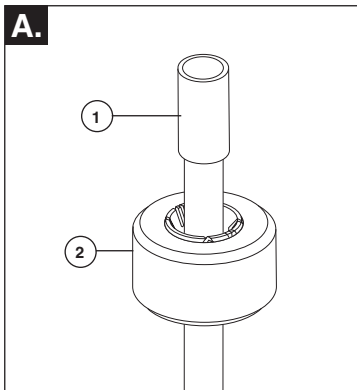
N'utilisez pas RP51243 le joint (1) fournie avec la tuyauterie de PEX ou la bague en cuivre (2) fournie avec les robinets d'arrêt.



Assurez-vous que la coupe est droite.



Assurez-vous que le tube est introduit entièrement dans le robinet d'arrêt avant de faire glisser le manchon vers le bas pour le fixer à la partie supérieure du raccord.

**5**

## Branchement du flexible de la douche

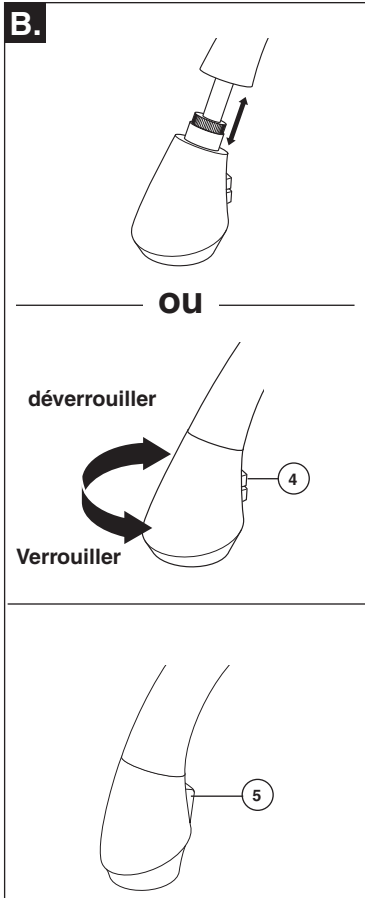
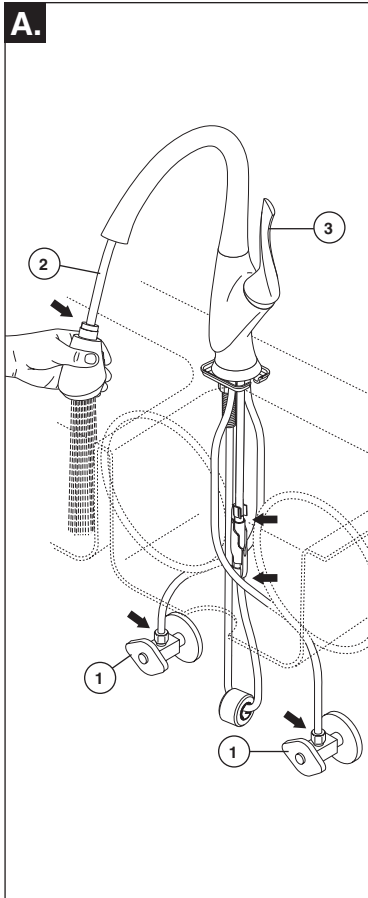
**A.** Introduisez l'extrémité du flexible (1) dans la masselotte du flexible (2).

**B.** Introduisez l'adaptateur à clapets (1) dans le raccord du flexible (2). Prenez garde que la masselotte se libère du flexible.

**C.** Introduisez le raccord rapide du robinet (1) dans l'adaptateur à clapets.

**D.** Faites pivoter les bras de l'adaptateur (1) pour le bloquer sur le flexible de la douche et le flexible de sortie du robinet.

# 6

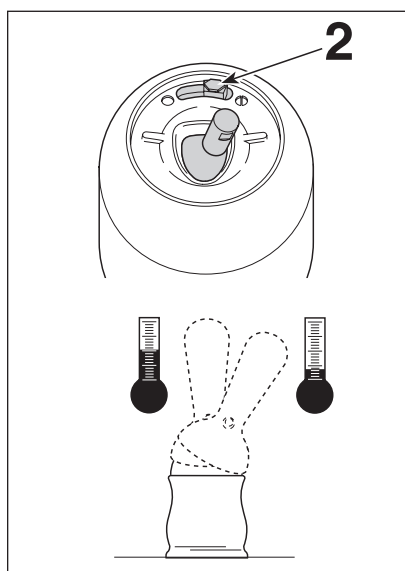
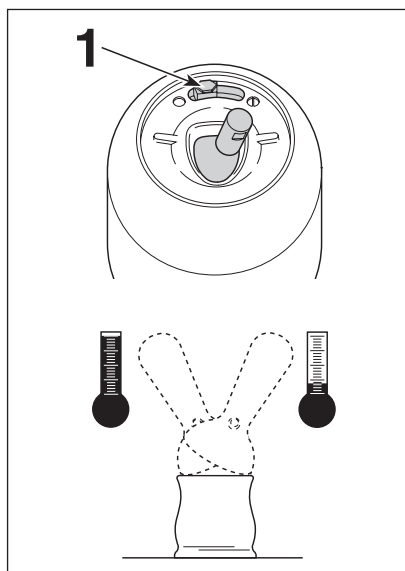
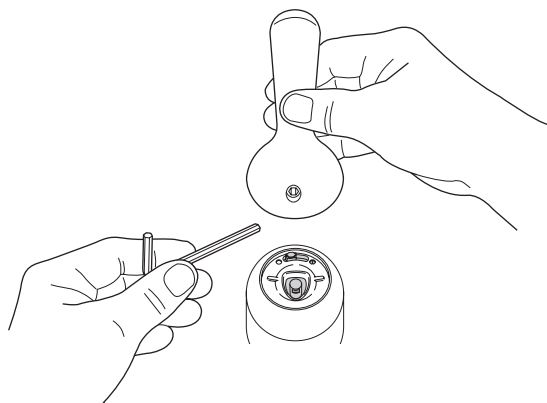


## Inspection et utilisation du robinet

**A.** Rétablissez l'alimentation en eau chaude et en eau froide (1). Tirez le flexible (2) hors du bec. Tenez l'extrémité de la douchette dans l'évier et amenez la manette du robinet (3) à la position de mélange de l'eau chaude et de l'eau froide. Laissez couler l'eau une minute. Vérifiez l'étanchéité de tous les raccords aux endroits indiqués par les flèches. Serrez les raccords de nouveau au besoin, mais pas excessivement.

**B.** La douchette se bloque lorsqu'on la place à proximité de l'aimant du bec. Pour séparer la douchette du bec, tirez directement sur celle-ci ou tournez-la dans un sens ou dans l'autre à 90° et ainsi utiliser la force de répulsion des aimants (méthode recommandée). Vérifiez le fonctionnement de la douchette en actionnant la gâchette (4) pour passer du mode aération au mode pulvérisation. L'inverseur conserve le dernier mode sélectionné. Pour réduire ou interrompre l'écoulement, enfoncez le bouton sélecteur davantage dans la poignée. Le robinet d'évier de bar et d'îlot est doté d'une douchette à deux fonctions seulement. Enfoncez le bouton (5) pour passer d'un mode à l'autre.





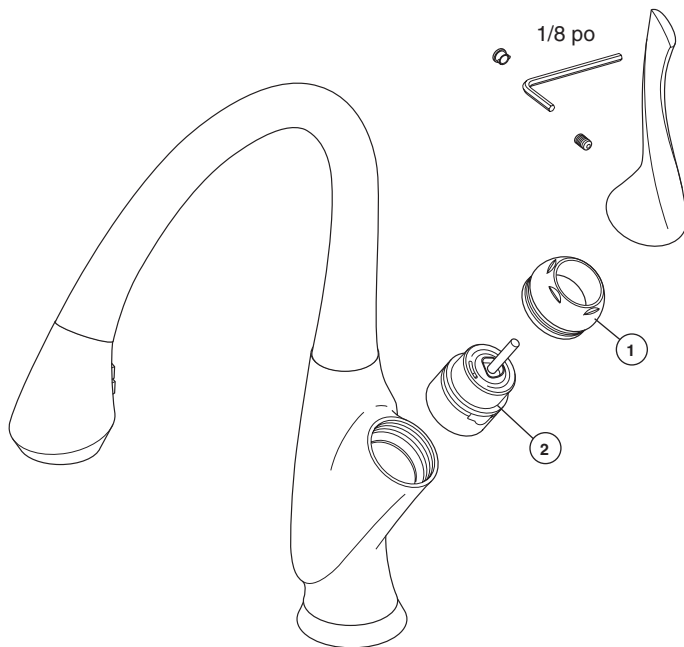
### Plaçant l'arrêt de limite de poignée (facultatif)

Ce robinet est muni d'une butée de température maximale à deux positions. La position 1, à gauche, permet le déplacement de la manette entre les deux extrémités de la plage de température (eau très froide et eau très chaude). C'est la position sélectionnée en usine. La position 2, à droite, permet le déplacement de la manette sur la moitié de la plage de température (eau très froide et eau mitigée).

Il est possible de régler la butée de température maximale de la manette au moment de l'installation du robinet. Un réglage à la position 2 peut empêcher l'ébullantage parce que cette position limite la quantité d'eau

chaude dans le mélange. Toutefois, ce réglage de la butée de température maximale de la manette ne constitue pas une garantie absolue contre l'ébullantage parce qu'il n'offre aucune protection contre les fluctuations de la pression d'alimentation ou les changements de température soudains.

**Pour modifier la position de la butée de température maximale de la manette :** enlevez la manette; amenez l'obturateur à l'extrémité de la plage du côté eau froide pour faire s'écouler l'eau; modifiez la position de la butée de température maximale; fermez le robinet; réinstallez la manette.



## Entretien

### Si le robinet fuit par le dessous de la manette :

Enlevez la manette et assurez-vous que le chapeau (1) est fixé solidement.

**Si la fuite persiste, COUPEZ L'ARRIVÉE D'EAU.** Remplacez la cartouche de la soupape (2).

**Si le robinet fuit par la sortie du bec,** **COUPEZ L'ARRIVÉE D'EAU.** Remplacez la cartouche (2).

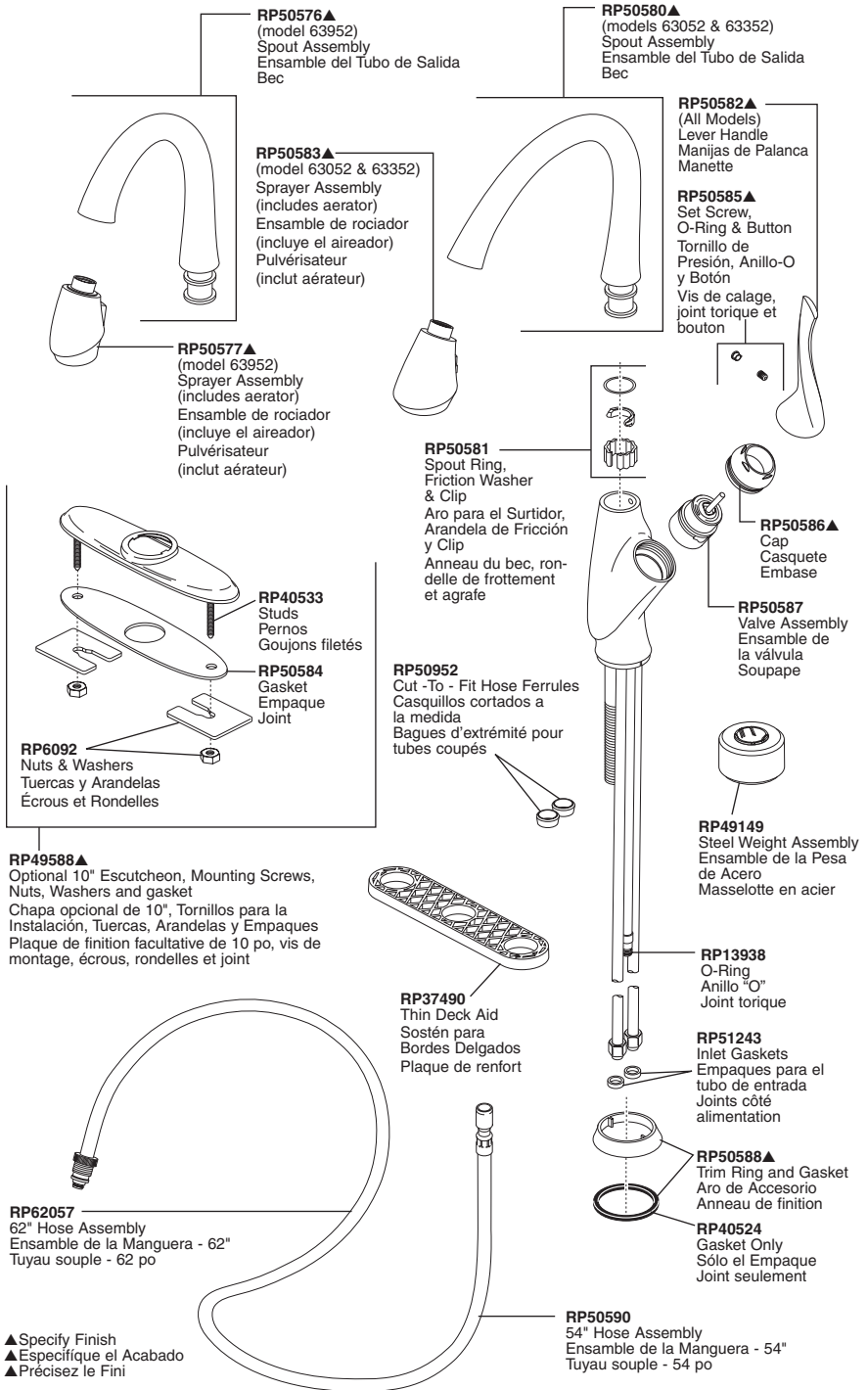
## Instructions De Nettoyage

Il faut le nettoyer avec soin. Même si son fini est extrêmement durable, il peut être abîmé par des produits fortement abrasifs ou des produits de polissage. Il faut simplement le frotter doucement avec un chiffon humide et le sécher à l'aide d'un chiffon doux.

## Dispositif anti-siphonnage

Le bec rétractable de votre robinet Delta comporte un dispositif anti-siphonnage qui a été éprouvé et qui est conforme aux normes ASME A112.18.3 et ASME A112.18.1 / CSA B125.1. Ce dispositif se compose de deux clapets indépendants homologués, montés en série dans le tube rigide, qui sont non réparables.

**Note :** Un peu d'eau peut s'écouler du bec ou dégoutter pendant une très courte période après la fermeture du robinet. Cela est normal en raison de la longueur du flexible.



▲Specify Finish  
▲Especifique el Acabado  
▲Précisez le Fini

