

BRIZO®

KITCHEN FAUCET

- Baliza® Pull-Out Series
- Single Handle Deck Mount

FEATURES:

- Touch-Clean® sprayhead.

STANDARD SPECIFICATIONS:

- Max. 1.80 gpm @ 60 PSI, 6.8 L/min @ 414 kPa
- 1, 2, 3, or 4 hole mount (escutcheon optional included).
- Solid brass fabricated body.
- Spout is connected to valve body with a 59" (1524 mm) long hose that extends to 38" (965 mm) usable length.
- Pull-out spray operates in an aerated or spray mode, with volume control and pause, via easy push toggle buttons.
- Control mechanism - 32mm ceramic disc cartridge with metal stem.
- Red/blue graphics under handle button indicates hot/cold temperature.
- 3/8" O.D. straight, staggered PEX supply tubes.
- Integral double check valves in spout.
- Mounts in standard 1 3/8" dia. holes.

WARRANTY:

- Lifetime limited warranty on parts (other than electronic parts and batteries) and finishes: or, for commercial users, for 5 years from date of purchase.
- 5 year limited warranty on electronic parts (other than batteries); or, for commercial users, for 1 year from the date of purchase. No warranty is provided on batteries.

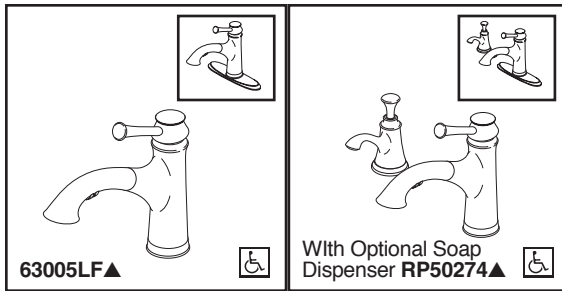
COMPLIES WITH:

- ASME A112.18.1 / CSA B125.1



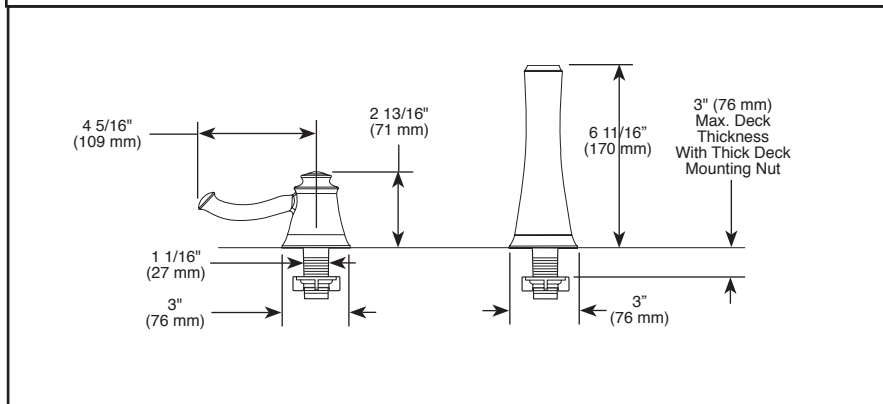
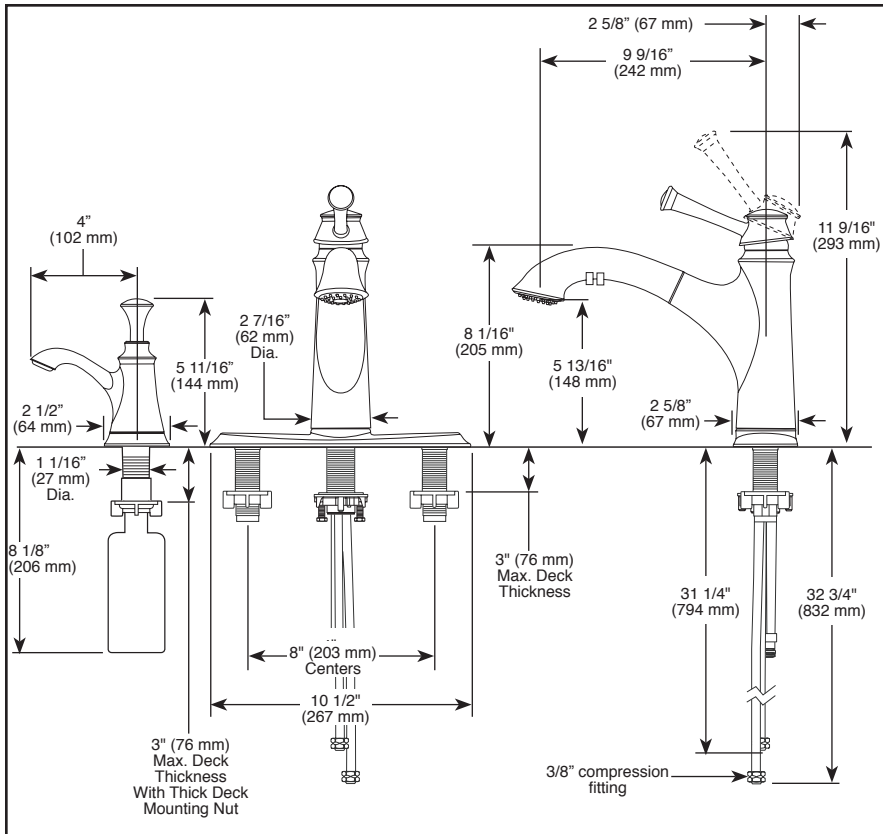
Indicates compliance to ICC/ANSI A117.1

- Verified compliant with 0.25% weighted average Pb content regulations.



Submitted Model No.: _____

Specific Features: _____



▲ Designate proper finish suffix

BRIZO®

Brizo Kitchen & Bath Company
Indianapolis, Indiana 46280
A Division of Masco Corporation of Indiana
© 2016 Brizo Kitchen & Bath Company

Brizo Kitchen & Bath Company reserves the right (1) to make changes in specifications and materials, and (2) to change or discontinue models, both without notice or obligation. Dimensions are for reference only. See current full-line price book or www.brizo.com for finish options and product availability.

BSP-K-63005LF Rev. E