

Refrigeration

The new definition of cool.



Bosch offers refrigerators in a variety of sizes and styles to complement any kitchen design. From our stylish counter-depth French door refrigerator, to our small, space-friendly 24" refrigerators with bottom freezers, Bosch has a solution for everyone.



Benchmark® Refrigeration

Freshness comes built-in.

Designed to Fit Flush

The Bosch built-in refrigerator gives the ultimate integrated look for your kitchen. With the Optiflex® hinge design, the Bosch built-in refrigerator can be installed truly flush, for a European-style integration with your kitchen cabinets.



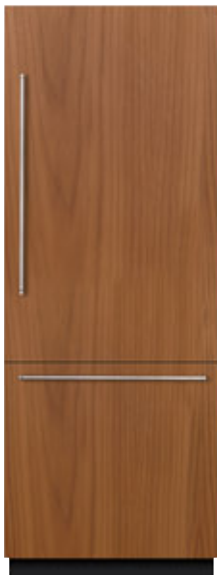
Custom Panel Options

Bosch offers custom panel refrigeration units, which enables each unit to seamlessly blend in with kitchen cabinetry.



Dual Compressors and Evaporators

The Bosch built-in refrigerators feature a separate compressor and evaporator in the refrigerator and freezer sections. They're two separate, sealed sections, for more accurate temperature control and fresher foods.





Benchmark® Built-in Bottom-Freezer Refrigerators



B30BB830SS (Flat Stainless Panel)

- 29 3/4" x 84" Flat Stainless Panel
- Flush Installation
- Dual Compressor and Dual Evaporator
- Sidewall LED Lighting



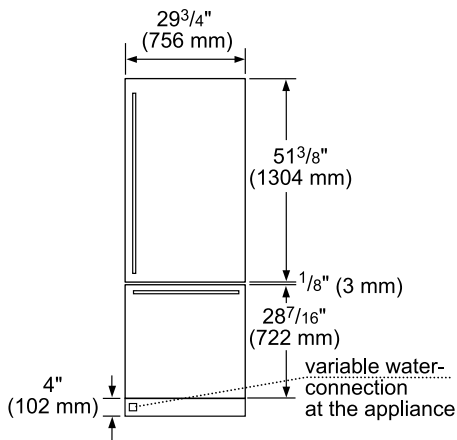
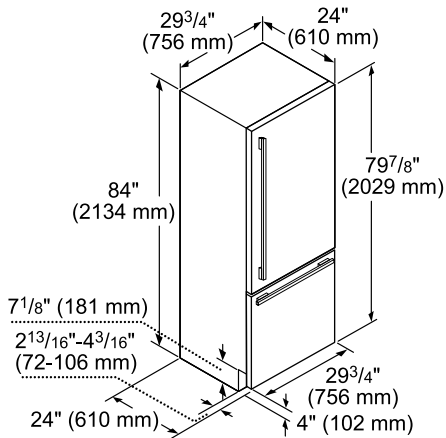
B30IB800SP (Custom Panel)

- 29 3/4" x 84"
- Custom Panel Ready
- Dual Compressor and Dual Evaporator
- Sidewall LED Lighting

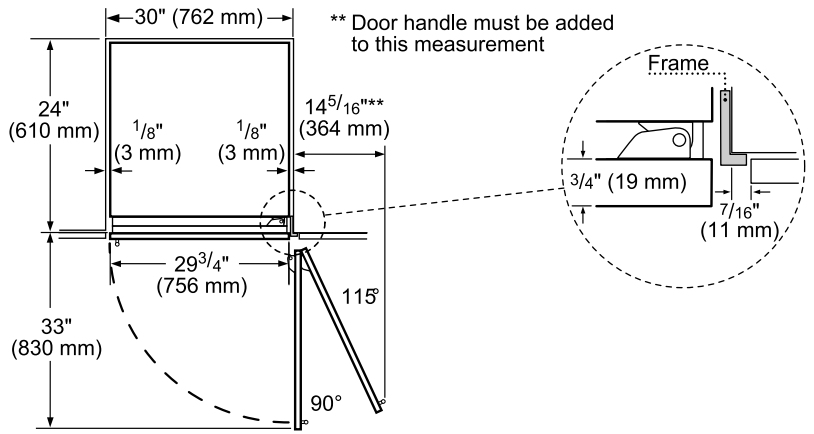
	30" Flat Stainless Panel	30" Custom Panel
	Stainless Steel – B30BB830SS	Custom Panel – B30IB800SP
General Properties		
Reversible door hinge	Yes	Yes
Water filter	Yes	Yes
Lighting	LED side wall theater	LED side wall theater
Defrost process refrigerator section	Frost-free	Frost-free
Number of shelves – refrigerator	3	3
Adjustable shelves – refrigerator	2	2
Shelf material – refrigerator	Glass w/metal trim	Glass w/metal trim
Type of shelves – refrigerator	Full width	Full width
Gallon storage bins	1	1
Humidity control drawer	Yes – 1	Yes – 1
Defrost process freezer section	Automatic	Automatic
Number of drawers – freezer	2	2
Shelf material – freezer	Stainless steel	Stainless steel
Ice maker	Yes	Yes
Quick ice	No	No
Capacity		
Total unit gross capacity (cu. ft.) – AHAM	16 cu. ft.	16 cu. ft.
Refrigerator gross capacity (cu. ft.)	11.2 cu. ft.	11.2 cu. ft.
Freezer gross capacity (cu. ft.)	4.8 cu. ft.	4.8 cu. ft.
Technical Details		
Watts (W)	588 W	588 W
Current (A)	15 A	15 A
Volts (V)	120 V	120 V
Frequency (Hz)	60 Hz	60 Hz
Power cord length (in.)	78 3/4"	78 3/4"
Plug type	120V-3 prong	120V-3 prong
Dimensions & Weight		
Appliance dimensions (HxWxD) (in.)	84" x 29 3/4" x 24"	84" x 29 3/4" x 24"
Required cutout size (HxWxD) (in.)	84" x 30" x 25"	84" x 30" x 25"
Net weight (lbs)	439 lbs	439 lbs
Efficiency		
ENERGY STAR® qualified	Yes	Yes
Energy consumption (kWh / yr)	546 kWh	546 kWh

Benchmark® Built-in Bottom-Freezer Refrigerators

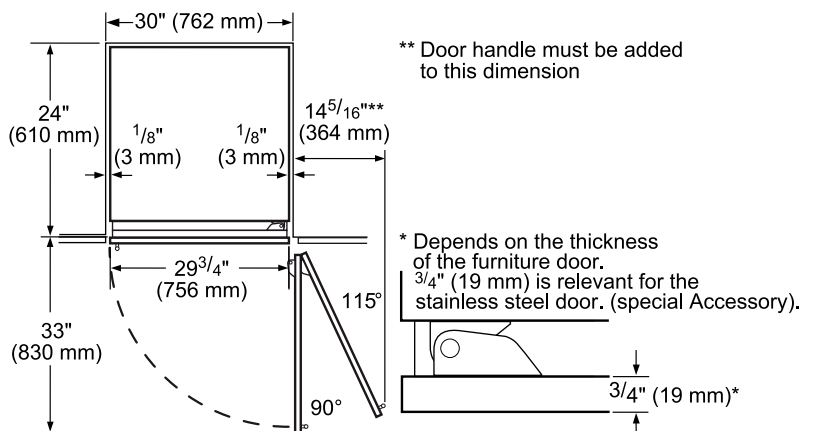
30" Built-in Bottom-Freezer Dimensions



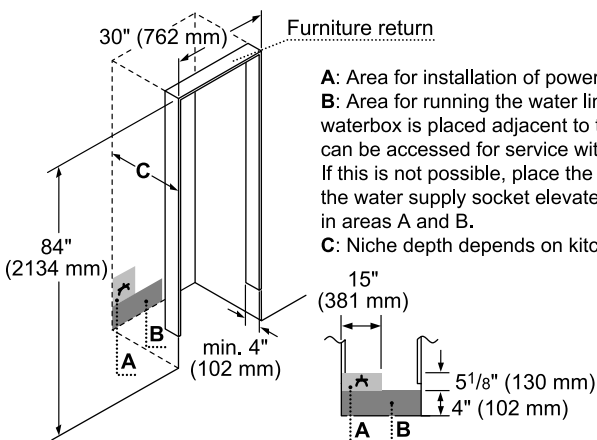
B30BB830SS Dimensions (Overhead View)



B30IB800SP Dimensions (Overhead View)



30" Built-in Bottom-Freezer Installation



- A:** Area for installation of power connection.
- B:** Area for running the water line. It is recommended that the waterbox is placed adjacent to the installation cavity, so that it can be accessed for service without uninstalling the appliance. If this is not possible, place the recessed waterbox adjacent to the water supply socket elevated at the heights as referenced in areas A and B.
- C:** Niche depth depends on kitchen design.

Benchmark® Built-in French Door Bottom-Freezer Refrigerators



B36BT830NS

- 35 3/4" x 84" Flat Stainless Panel
- Flush Installation
- Dual Compressor and Dual Evaporator
- Sidewall LED Lighting



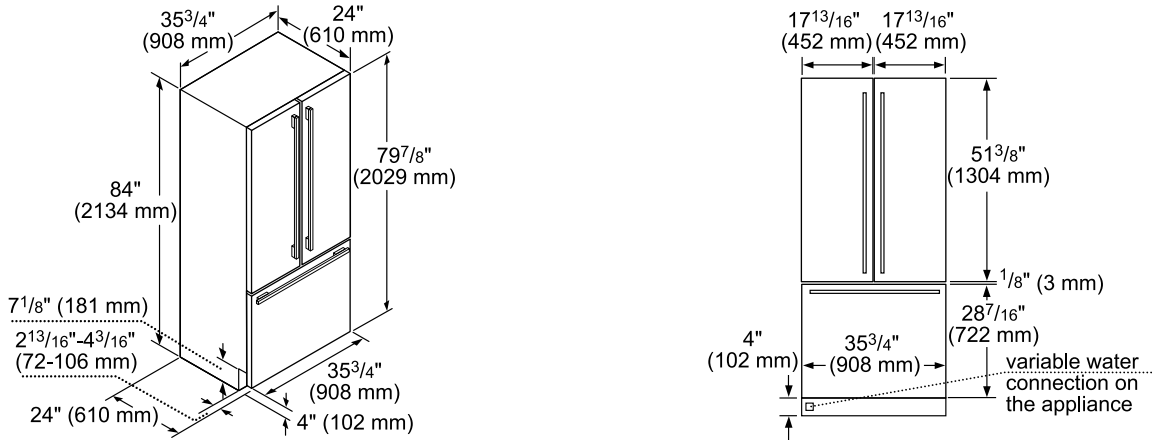
B36IT800NP

- 35 3/4" x 84"
- Custom Panel Ready
- Dual Compressor and Dual Evaporator
- Sidewall LED Lighting

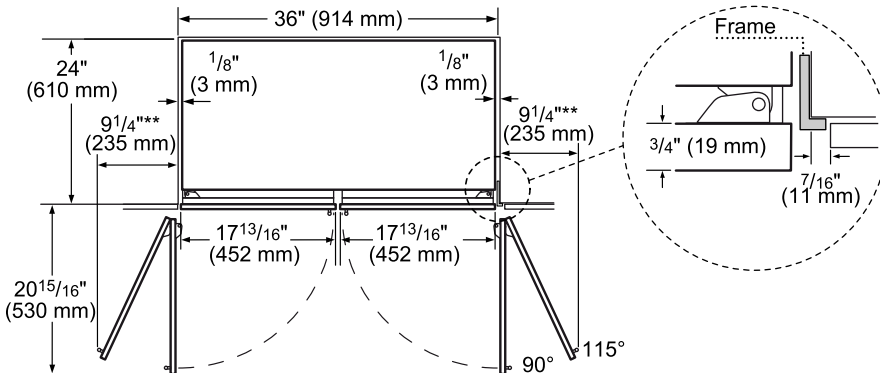
	36"	36"
	Stainless Steel – B36BT830NS	Stainless Steel – B36IT800NP
General Properties		
Water filter	Yes	Yes
Lighting	LED side wall theater	LED side wall theater
Defrost process refrigerator section	Frost-free	Frost-free
Number of shelves – refrigerator	3	3
Adjustable shelves – refrigerator	2	2
Shelf material – refrigerator	Glass w/metal trim	Glass w/metal trim
Type of shelves – refrigerator	Full width	Full width
Gallon storage bins	2	2
Humidity control drawer	Yes – 1	Yes – 1
Defrost process freezer section	Automatic	Automatic
Number of drawers – freezer	2	2
Ice maker	Yes	Yes
Quick ice	No	No
Capacity		
Total unit gross capacity (cu. ft.) – AHAM	19.5 cu. ft.	19.5 cu. ft.
Refrigerator gross capacity (cu. ft.)	13.8 cu. ft.	13.8 cu. ft.
Freezer gross capacity (cu. ft.)	5.7 cu. ft.	5.7 cu. ft.
Technical Details		
Watts (W)	588 W	588 W
Current (A)	15 A	15 A
Volts (V)	120 V	120 V
Frequency (Hz)	60 Hz	60 Hz
Power cord length (in.)	78 3/4"	78 3/4"
Plug type	120V-3 prong	120V-3 prong
Dimensions & Weight		
Appliance dimensions (HxWxD) (in.)	84" x 35 3/4" x 24"	84" x 35 3/4" x 24"
Required cutout size (HxWxD) (in.)	84" x 36" x 25"	84" x 36" x 25"
Net weight (lbs)	540 lbs	529 lbs
Efficiency		
ENERGY STAR® qualified	Yes	Yes
Energy consumption (kWh / yr)	590 kWh	590 kWh

Benchmark® Built-in French Door Bottom-Freezer Refrigerators

Dimensions

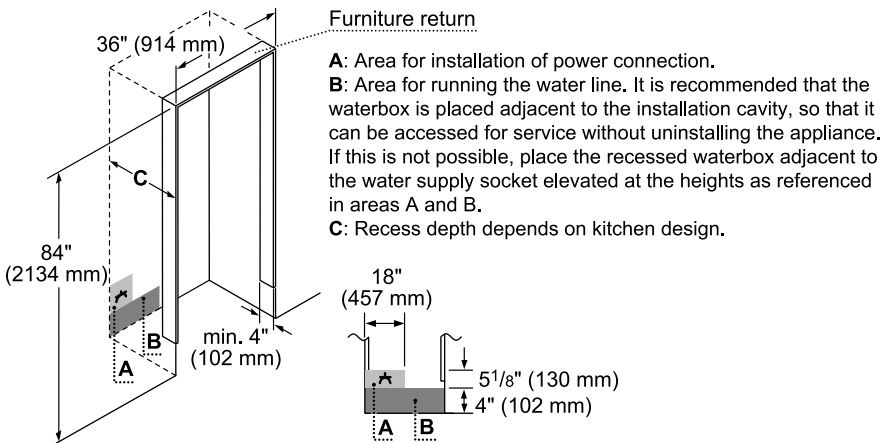


Dimensions (Overhead View)



** Door handle must be added to this measurement.

Installation



- A:** Area for installation of power connection.
- B:** Area for running the water line. It is recommended that the waterbox is placed adjacent to the installation cavity, so that it can be accessed for service without uninstalling the appliance. If this is not possible, place the recessed waterbox adjacent to the water supply socket elevated at the heights as referenced in areas A and B.
- C:** Recess depth depends on kitchen design.

500 / 800 Series 24" Counter-Depth Bottom-Freezer Refrigerators



**500 Series
B11CB50SSS
Bottom Freezer**

- 24" x 79" Counter-Depth
- HydroFresh Humidity-Controlled Drawer
- Wine Rack
- Sidewall LED Lighting



**800 Series
B11CB81SSS
Bottom Freezer**

- 24" x 79" Counter-Depth
- + Built-in Ice Maker
- HydroFresh Humidity-Controlled Drawer
- Wine Rack
- Sidewall LED Lighting



**800 Series
B10CB80NVS (Stainless)
B10CB80NVW (White)
B10CB80NVB (Black)
Glass Door Bottom Freezer**

- 24" x 73" Counter-Depth
- + Stylish Tempered Glass Door
- HydroFresh Humidity-Controlled Drawer
- Wine Rack



+ Indicates a step-up feature

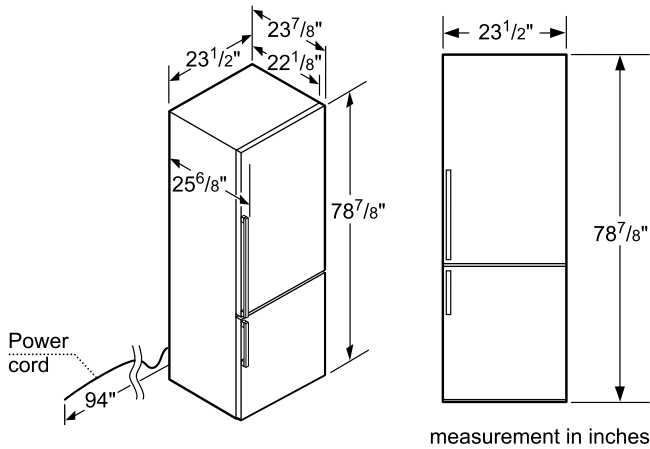
500 Series – 24"	800 Series – 24"	800 Series – 24"
Stainless Steel – B11CB50SSS	Stainless Steel – B11CB81SSS	Glass on Stainless Steel – B10CB80NVS White Glass – B10CB80NVW Black Glass – B10CB80NVB

General Properties			
Reversible door hinge	Yes	Yes	Yes
Water filter	No	No	No
Lighting	LED	LED	LED
Defrost process refrigerator section	Frost-free	Frost-free	Frost-free
Number of shelves – refrigerator	3	3	3
Adjustable shelves – refrigerator	2	2	2
Shelf material – refrigerator	Tempered glass	Tempered glass	Tempered glass
Type of shelves – refrigerator	Spill-proof glass	Spill-proof glass	Spill-proof glass
Door storage bins	3	3	3
Humidity control drawer	1	1	1
Defrost process freezer section	Automatic	Automatic	Automatic
Number of drawers – freezer	3	2	3
Shelf material – freezer	Metal	Metal	Metal
Type of shelves – freezer	Wire	Wire	Wire
Ice maker	No	Yes	No
Capacity			
Total unit gross capacity (cu. ft.) – AHAM	11 cu. ft.	11 cu. ft.	10 cu. ft.
Refrigerator gross capacity (cu. ft.)	7.7 cu. ft.	7.7 cu. ft.	7.5 cu. ft.
Freezer gross capacity (cu. ft.)	3.3 cu. ft.	3.3 cu. ft.	2.5 cu. ft.
Technical Details			
Current (A)	15 A	15 A	10 A
Volts (V)	120 V	120 V	110–120 V
Frequency (Hz)	60 Hz	60 Hz	60 Hz
Power cord length (in.)	94"	94"	94"
Plug type	120V-3 prong	120V-3 prong	120V-3 prong
Dimensions & Weight			
Appliance dimensions (HxWxD) (in.)	78 7/8" x 23 1/2" x 23 7/8"	78 7/8" x 23 1/2" x 23 7/8"	72 7/8" x 23 1/2" x 25 3/4"
Required cutout size (HxWxD) (in.)*	79 1/2" x 24" x 24"	79 1/2" x 24" x 24"	73 1/2" x 24 1/8" x 22"
Net weight (lbs)	181 lbs	181 lbs	203.9 lbs (191.8 W/B)
Efficiency			
ENERGY STAR® qualified	Yes	Yes	Yes
Energy consumption (kWh / yr)	357 kWh	357 kWh	435 kWh
Accessories – Included			
Included	Wine rack, ice tray, egg tray, bottle holder	Wine rack, ice tray, egg tray, bottle holder	Wine rack, ice tray, egg tray, bottle holder

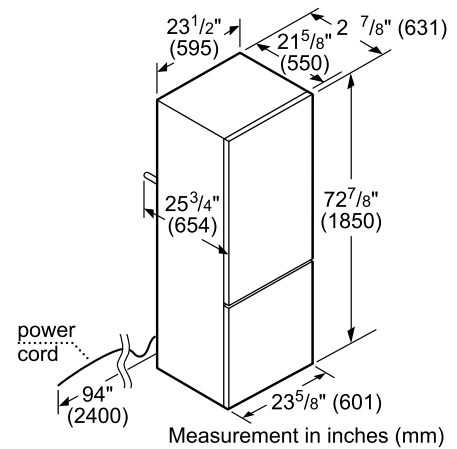
*Add 3/4" (1.9 cm) to the height dimension when leveling legs are fully extended

500 / 800 Series 24" Counter-Depth Bottom-Freezer Refrigerators

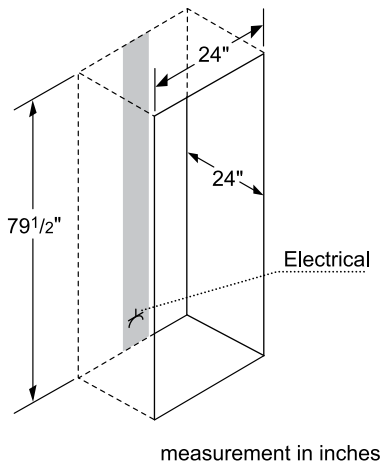
24" B11CB50SSS & B11CB81SSS Dimensions



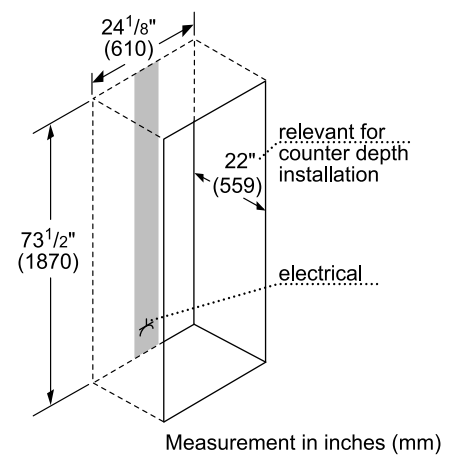
24" B10CB80NVS/W/B Dimensions



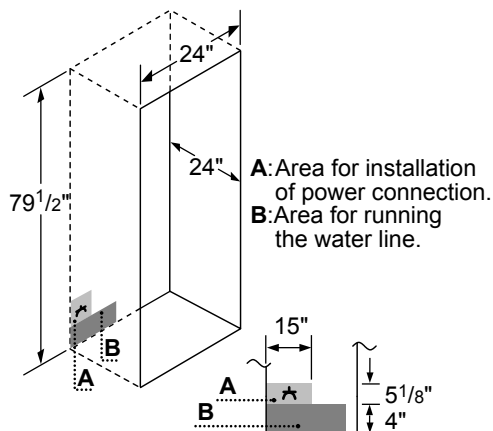
24" B11CB50SSS Installation



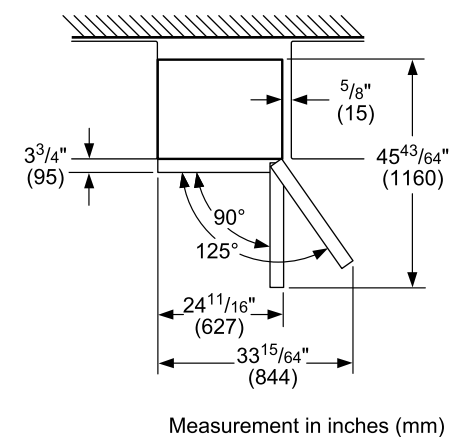
24" B10CB80NVS/W/B Installation



24" B11CB81SSS Installation



24" B10CB80NVS/W/B Overhead Views



800 Series Counter-Depth French Door Bottom-Freezer Refrigerator



800 Series B21CL80SNS 4-Door French Door Bottom Freezer

- 36" x 70" Counter-Depth
- 2-Drawer Freezer
- Dual Evaporator System
- Hidden Hinges

800 Series – 36"

Stainless Steel – B21CL80SNS

General Properties

Water filter	No
Lighting	LED
Defrost process refrigerator section	Frost-free
Number of shelves – refrigerator	5
Adjustable shelves – refrigerator	4 half-width
Shelf material – refrigerator	Tempered glass
Type of shelves – refrigerator	Tempered glass
Gallon storage bins	5
Humidity control drawer	2
Defrost process freezer section	Automatic
Number of drawers – freezer	2
Ice maker	Yes
Quick ice	No

Capacity

Total unit gross capacity (cu. ft.) – AHAM	20.7 cu. ft.
Refrigerator gross capacity (cu. ft.)	14.7 cu. ft.
Freezer gross capacity (cu. ft.)	6.0 cu. ft.

Technical Details

Current (A)	10 A
Volts (V)	120 V
Frequency (Hz)	60 Hz
Power cord length (in.)	67"
Plug type	120V-3 prong

Dimensions & Weight

Appliance dimensions (HxWxD) (in.)	69 ⁷ / ₈ " x 35 ³ / ₄ " x 28 ³ / ₄ "
Required cutout size (HxWxD) (in.)*	70" x 36" x 25"
Net weight (lbs)	301.76 lbs

Efficiency

Energy consumption (kWh / yr)	623 kWh
-------------------------------	---------

Accessories – Included

Included	2 Egg Trays, Ice scoop, Toe kick trim cover
----------	---

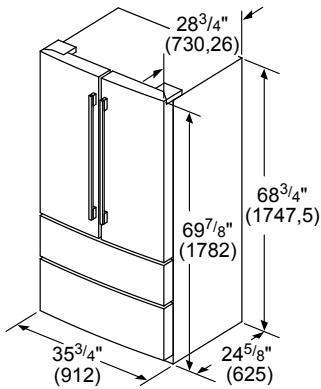
*Add ³/₄" (1.9 cm) to the height dimension when leveling legs are fully extended

Optional Accessories

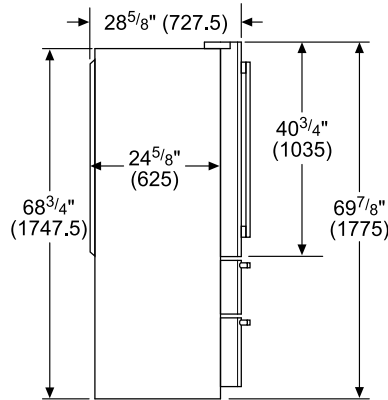
BOHANDL40
Pro-style stainless-steel handle kit
(P/N 00775143)

800 Series Counter-Depth French Door Bottom-Freezer Refrigerator

36" B21CL80SNS Dimensions

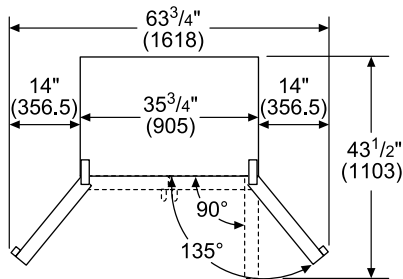


measurements in inches (mm)



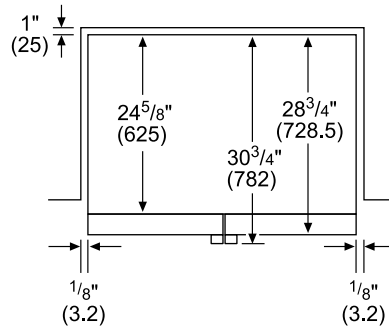
measurements in inches (mm)

36" B21CL80SNS Dimensions (Overhead Views)



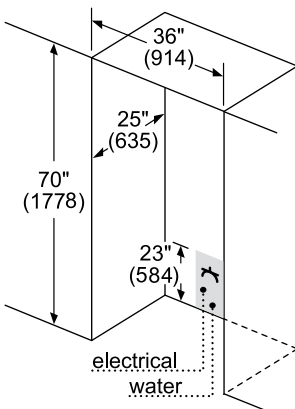
Drawers can be pulled out with door open 90°. Drawers can be taken out with door completely opened.

measurements in inches (mm)



measurements in inches (mm)

36" B21CL80SNS Installation



Leave 1/2" (12.7 mm) gap at the top and 1" (25.4 mm) behind the refrigerator for proper ventilation. For installation next to a wall, leave 3 3/4" (95.2 mm) minimum on wall side for opening the door. It is recommended that you do not install the refrigerator near a heat source such as an oven or a range. Maximum receptacle and water line height 23" (584)

measurements in inches (mm)

800 Series Standard-Depth Refrigerator



800 Series B26FT80SNS French Door Bottom-Freezer

- 36" x 69" Standard-Depth
- VitaFresh® Food Preservation System
- Frameless Ice Dispenser
- All-level LED Lighting

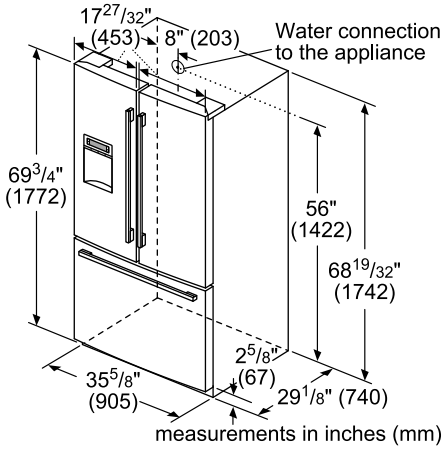
36"	
Stainless Steel – B26FT80SNS	
General Properties	
Water filter	Yes
Lighting	LED
Defrost process refrigerator section	Frost-free
Number of shelves – refrigerator	5
Adjustable shelves – refrigerator	4 half-width
Shelf material – refrigerator	Tempered glass
Type of shelves – refrigerator	Spill-proof glass
Gallon storage bins	2
Covered dairy bin	1
Humidity control drawer	2 VitaFresh®
Defrost process freezer section	Automatic
Number of drawers – freezer	2
Ice maker	Yes
Quick ice	Yes
Capacity	
Total unit gross capacity (cu. ft.) – AHAM	25.5 cu. ft.
Refrigerator gross capacity (cu. ft.)	17.68 cu. ft.
Freezer gross capacity (cu. ft.)	7.8 cu. ft.
Technical Details	
Current (A)	15 A
Volts (V)	120 V
Frequency (Hz)	60 Hz
Power cord length (in.)	62"
Plug type	120V-3 prong
Dimensions & Weight	
Appliance dimensions (H x W x D) (in.)	69 ³ / ₄ " x 35 ⁵ / ₈ " x 32 ¹⁵ / ₃₂ "
Required cutout size (H x W x D) (in.)	69" x 36" x 30 ¹ / ₈ "
Net weight (lbs)	325 lbs
Efficiency	
Energy consumption (kWh / yr)	744 kWh
Accessories – Included	
Included	Egg box with lid

Optional Accessories

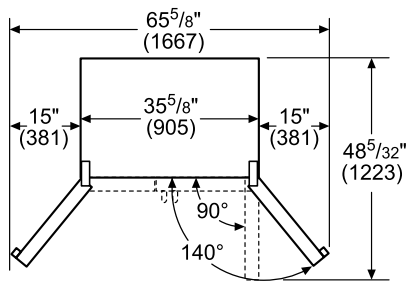
BORPLFTR10
Replacement water filter (P/N 00740570)

800 Series Standard-Depth Refrigerator

36" B26FT80SNS Dimensions

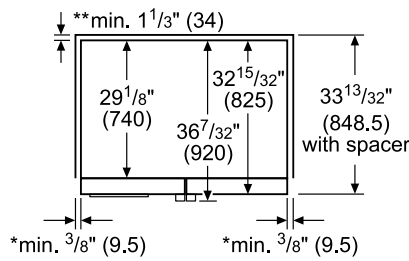


36" B26FT80SNS Dimensions (Overhead Views)



Drawers can be pulled out with door open 90°. Drawers can be taken out with door completely opened.

measurements in inches (mm)



* If the appliance is placed next to a cooker, the distance at the sides must be at least 1".

** The clearance in the back must include the space of the water connection.

measurements in inches (mm)