



**BOSCH**



Register your  
appliance and join  
the Bosch family of perks:  
**Enregistrez** votre  
appareil et profitez des  
avantages Bosch :  
[registerbosch.com](https://registerbosch.com)

# Fridge-freezer combination

**B24...50**

<b>[en-us]</b>	Use and Care Manual	Fridge-freezer combination	2
<b>[fr-ca]</b>	Manuel d'utilisation	Combiné réfrigérateur-congélateur	30

# Table of contents

<b>1 Safety</b> .....	<b>4</b>	7.4 Setting the temperature .....	15
1.1 Safety definitions .....	4	<b>8 Additional functions</b> .....	<b>15</b>
1.2 General information .....	4	8.1 Super cooling .....	15
1.3 Intended use .....	4	8.2 Super freezing .....	16
1.4 Restrictive Use .....	4	8.3 Rest mode .....	16
1.5 Safe transport .....	5	<b>9 Alarm</b> .....	<b>16</b>
1.6 Safe installation .....	5	9.1 Door alarm .....	16
1.7 Safe use .....	6	9.2 Temperature alarm .....	16
1.8 Damaged appliance .....	7	<b>10 Home Connect®</b> .....	<b>17</b>
1.9 State of California Proposition 65 Warnings .....	8	10.1 Setting up Home Connect® .....	17
<b>2 Preventing material damage</b> .....	<b>9</b>	10.2 Switching on the connection to the WLAN home network (Wi-Fi) .....	18
<b>3 Environmental protection and energy-saving</b> .....	<b>9</b>	10.3 Switching off the connection to the WLAN home network (Wi-Fi) .....	18
3.1 Disposal of packaging .....	9	10.4 Installing updates for the Home Connect® software .....	18
3.2 Saving energy .....	9	10.5 Resetting the Home Connect® settings .....	18
<b>4 Installation and connection</b> .....	<b>10</b>	10.6 Remote Diagnostics .....	18
4.1 Included in delivery .....	10	10.7 Data Protection .....	18
4.2 Criteria for the installation location .....	10	<b>11 Refrigerator compartment</b> .....	<b>19</b>
4.3 Installing the appliance .....	10	11.1 Tips for storing food in the refrigerator compartment .....	19
4.4 Preparing the appliance for first use .....	10	11.2 Chill zones in the refrigerator compartment .....	19
4.5 Connecting the appliance to the electricity supply .....	10	<b>12 Freezer compartment</b> .....	<b>19</b>
<b>5 Familiarizing yourself with your appliance</b> .....	<b>12</b>	12.1 Tips for storing food in the freezer compartment .....	19
5.1 Appliance .....	12	12.2 Tips for freezing fresh food ...	20
5.2 Control panel .....	13	12.3 Defrosting methods for frozen food .....	20
<b>6 Features</b> .....	<b>14</b>	<b>13 Defrosting</b> .....	<b>20</b>
6.1 Shelf .....	14	13.1 Defrosting in the freezer compartment .....	20
6.2 Storage container .....	14	<b>14 Cleaning and maintenance</b> .....	<b>20</b>
6.3 Fruit and vegetable container with humidity controller .....	14	14.1 Preparing the appliance for cleaning .....	21
6.4 Variable door tray .....	14		
6.5 Ice storage container .....	14		
<b>7 Basic Operation</b> .....	<b>15</b>		
7.1 Switching on the appliance .....	15		
7.2 Operating tips .....	15		
7.3 Switching off the appliance .....	15		

14.2	Cleaning the appliance .....	21
14.3	Removing the fittings .....	21
14.4	Removing the appliance components .....	23
<b>15</b>	<b>Troubleshooting .....</b>	<b>23</b>
15.1	Power failure .....	26
15.2	Conducting an appliance self-test .....	27
<b>16</b>	<b>Storage and disposal .....</b>	<b>27</b>
16.1	Taking the appliance out of operation .....	27
16.2	Disposal of your old appli- ance .....	27
<b>17</b>	<b>Customer Service .....</b>	<b>28</b>
17.1	Model number (E-Nr.), pro- duction number (FD) and consecutive numbering (Z- Nr.) .....	28
<b>18</b>	<b>Technical specifications .....</b>	<b>28</b>
18.1	Information regarding Free and Open Source Software ..	29
	<b>Recursos y ayuda en línea en es- pañol .....</b>	<b>60</b>



# IMPORTANT SAFETY INSTRUCTIONS

## READ AND SAVE THESE INSTRUCTIONS

---

Observe the following safety instructions.

### 1.1 Safety definitions

Here you can find explanations of the safety signal words used in this manual.

#### **WARNING**

This indicates that death or serious injuries may occur as a result of non-observance of this warning.

#### **CAUTION**

This indicates that minor or moderate injuries may occur as a result of non-observance of this warning.

#### **NOTICE**

This indicates that damage to the appliance or property may occur as a result of non-compliance with this advisory.

**Note:** This alerts you to important information.

### 1.2 General information

- Read this manual carefully.
- Keep the manual and the product information in a safe place for future reference or for the next owner.
- Do not connect the appliance if it has been damaged in transit.

### 1.3 Intended use

Only use this appliance:

- for chilling and freezing food and for making ice cubes.
- for normal household use and in enclosed spaces in a residential environment.
- Up to an altitude of 6560 ft (2000 m) above sea level.

### 1.4 Restrictive Use

This appliance is not intended for use by persons (including children) with reduced physical, sensory or mental capabilities, or lack of experience and knowledge, unless they have been given supervision or instruction concerning use of the appliance by a person responsible for their safety.

Do not let children play with the appliance.

Cleaning and user maintenance must not be performed by children unless they are being supervised.



# IMPORTANT SAFETY INSTRUCTIONS

READ AND SAVE THESE INSTRUCTIONS

---

## 1.5 Safe transport

### WARNING

The heavy weight of the appliance may result in injury when lifted.

- ▶ Do not lift the appliance on your own.

## 1.6 Safe installation

### WARNING

To avoid risk of injury from incorrect installations, observe the following.

- ▶ Ensure all installation instructions are followed before use.
- ▶ Connect and operate the appliance only in accordance with the specifications on the rating plate.
- ▶ Connect the appliance to a power supply with alternating current only via a correctly installed socket outlet with grounding.
- ▶ The protective conductor system of the domestic electrical installation must be properly installed.
- ▶ Never equip the appliance with an external switching device, e.g. a timer or remote control.
- ▶ When the appliance is installed, the mains plug of the power cord must be freely accessible. If free access is not possible, an isolating switch must be integrated into the permanent electrical installation according to the installation regulations.
- ▶ When installing the appliance, check that the power cord is not trapped or damaged.

To avoid risk of injury from damaged insulation of the power cord, observe the following.

- ▶ Never let the power cord come into contact with heat sources.

### WARNING

If the appliance's ventilation openings are closed off, a leak in the refrigeration circuit may result in a flammable mixture of gas and air.

- ▶ Keep ventilation openings in the appliance casing or in the integrated casing clear of obstruction.

### WARNING

To avoid risk of injury from an extended power cord and non-approved adapters, observe the following.

- ▶ Do NOT use power cord extensions, power strips or adapters.
- ▶ Only use the power cord provided with the appliance.
- ▶ If the power cord is too short and a longer one is not available, please contact an electrician to make the necessary changes in accordance with national and local electrical codes.



# IMPORTANT SAFETY INSTRUCTIONS

## READ AND SAVE THESE INSTRUCTIONS

---

Multiple-socket strips or portable power supply units may overheat and cause a fire.

- ▶ Do not place multiple-socket strips or power supply units on the back of the appliance.

### 1.7 Safe use

#### **WARNING**

Moisture intrusion may cause an electric shock.

- ▶ Use the appliance in enclosed spaces only.
- ▶ Never expose the appliance to intense heat or humidity.
- ▶ Do not use any steam cleaners or high-pressure cleaners to clean the appliance.

#### **WARNING**

To avoid risk of suffocation of children, observe the following.

- ▶ Keep packaging material away from children.
  - ▶ Do not allow children to play with packaging material.
- Children may breathe in or swallow small parts, causing them to suffocate.
- ▶ Keep small parts away from children.
  - ▶ Do not allow children to play with small parts.

#### **WARNING**

Damage to the cooling circuit can create a risk of fire or explosion.

- ▶ To accelerate the defrosting process, do not use any other mechanical devices or means other than those recommended by the manufacturer.
- ▶ If food is stuck to the freezer compartment, loosen it with a blunt implement such as the handle of a wooden spoon.

Products which contain flammable propellants and explosive substances may explode, e.g. spray cans.

- ▶ Do not store products which contain flammable propellants (e.g. spray cans) or explosive substances in the appliance.

#### **WARNING**

Electrical devices placed inside the appliance may cause a fire, e.g. heaters or electric ice makers.

- ▶ Do not operate electrical devices within the appliance.

#### **WARNING**

Containers which contain carbonated drinks may burst.

- ▶ Do not store containers which contain carbonated drinks in the freezer compartment.



# IMPORTANT SAFETY INSTRUCTIONS

READ AND SAVE THESE INSTRUCTIONS

---

Injury to the eyes caused by escaping flammable refrigerant and hazardous gases.

- ▶ Do not damage the tubes of the refrigerant circuit or the insulation. The appliance may tip.
- ▶ Do not stand or lean on the base, runners or doors.

## WARNING

Individual parts on the back of the appliance become hot during operation.

- ▶ Never touch these hot parts.

## WARNING

Contact with frozen food and cold surfaces may cause burns by refrigeration.

- ▶ Never put frozen food straight from the freezer compartment into your mouth.
- ▶ Avoid prolonged skin contact with frozen food, ice and surfaces in the freezer compartment.

## CAUTION

To prevent food from being contaminated, you must observe the following instructions.

- ▶ Leaving the door open for an extended period of time may lead to a considerable temperature increase in the compartments of the appliance.
- ▶ Regularly clean the surfaces that may come into contact with food and accessible drain systems.
- ▶ Store raw meat and fish in suitable containers in the refrigerating appliance so that they do not touch or drip on other food.
- ▶ If the fridge/freezer is empty for an extended period of time, switch off the appliance, defrost it, clean it and leave the door open to prevent the formation of mold.

Metal or metal-style parts in the appliance may contain aluminum. If acidic food comes into contact with aluminum in the appliance, aluminum ions may pass into the food.

- ▶ Do not consume soiled food.

## 1.8 Damaged appliance

### WARNING

To avoid risk of injury from a damaged appliance or power cord, observe the following.

- ▶ Never operate a damaged appliance.
- ▶ Never pull on the power cord to unplug the appliance. Always unplug the appliance at the power outlet.



# IMPORTANT SAFETY INSTRUCTIONS

READ AND SAVE THESE INSTRUCTIONS

---

- ▶ If the appliance or the power cord is damaged, immediately unplug the power cord or switch off the breaker in the circuit breaker box and turn off the gas supply.
  - ▶ Call Customer Service. → *Page 28*
- To avoid risk of injury from improper repairs, observe the following.
- ▶ Only qualified technicians or authorized service providers should perform repairs.
  - ▶ Only genuine spare parts may be used to repair the appliance.
  - ▶ If the power cord of this appliance becomes damaged, it must be replaced by the manufacturer, the manufacturer's Customer Service, or an authorized service provider in order to prevent injury.

## WARNING

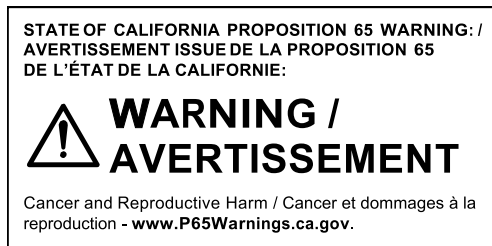


To avoid risk of fire or exposure to harmful gases, observe the following. Damaged refrigerant tubes can release flammable refrigerant and harmful gases that may ignite.

- ▶ DO NOT use the appliance if you suspect the refrigerant tubes are damaged.
- ▶ Avoid open flames or sparks near the appliance.
- ▶ Unplug the appliance immediately or switch off the circuit breaker.
- ▶ Contact an authorized servicer or call Customer Service for inspection and repair → *Page 28*.

## 1.9 State of California Proposition 65 Warnings

This product may contain a chemical known to the State of California, which can cause cancer or reproductive harm. Therefore, the packaging of your product may bear the following label as required by California:



---

## 2 Preventing material damage

### **NOTICE**

If not rolling in a straight line, the appliance's castors may damage the floor when the appliance is moved.

- ▶ Transport the appliance using a hand-cart.
- ▶ Use floor protection when moving the appliance, and do not move it in a zigzag fashion.

Using the appliance, base, runners or doors as a seat or climbing surface may damage the appliance.

- ▶ Do not stand or lean on the appliance, base, runners or doors.

Contamination with oil or fat may cause plastic parts and door seals to become porous.

- ▶ Keep plastic parts and door seals free of oil and grease.

Metal or metal-style parts in the appliance may contain aluminum. When aluminum comes into contact with acidic foods, it corrodes and discolors.

- ▶ Only store packaged food in the appliance.

If you clean fittings and accessories in the dishwasher, this may cause them to become deformed or discolored.

- ▶ Never clean fittings and accessories in the dishwasher.

---

## 3 Environmental protection and energy-saving

### 3.1 Disposal of packaging

The packaging materials are environmentally compatible and can be recycled.

- ▶ Sort the individual components by type and dispose of them separately.

### 3.2 Saving energy

If you follow these instructions, your appliance will use less power.

#### Selecting the installation location

- Keep the appliance out of direct sunlight.
- Install the appliance as far away as possible from heating elements, stoves and other heat sources:
  - Maintain a 1 1/4" (30 mm) clearance to electric or gas stoves.
  - Maintain an 11 13/16" (300 mm) clearance to oil or solid-fuel stoves.
- Make sure there is a small gap between the side wall and the appliance.
- Never cover or block the external ventilation openings.

#### Saving energy during use

**Note:** The arrangement of the fittings does not affect the energy consumption of the appliance.

- Open the appliance only briefly and then close it carefully.
- Never cover or block the interior ventilation openings or the exterior ventilation openings.
- Transport purchased food in a cooler and place quickly in the appliance.
- Allow warm food and drinks to cool down before storing them.
- Thaw frozen food in the refrigerator compartment to utilize the low temperature of the food.
- Always leave some space between the food and to the back panel.

---

## 4 Installation and connection

### 4.1 Included in delivery

After unpacking all the parts, check for any damage in transit and for completeness of delivery.

If you have any concerns, contact your dealer or our Customer Service → *Page 28*.

The delivery consists of the following:

- Free-standing appliance
- Equipment and accessories <sup>1</sup>
- Installation instructions
- User manual
- Explanation of the limited product warranty
- Warranty enclosure <sup>2</sup>
- Energy label
- Information on energy consumption and noises
- Information about Home Connect®

### 4.2 Criteria for the installation location

#### **WARNING**

If the appliance is in a space that is too small, a leak in the refrigeration circuit may result in a flammable mixture of gas and air.

- ▶ Only install the appliance in a space with a volume of at least 35 ft<sup>3</sup> (1 m<sup>3</sup>) per 0.3 oz (8 g) refrigerant. The amount of refrigerant is indicated on the rating label.

→ "Appliance", Fig. **1**/**5**  
*Page 13*

The weight of the appliance from factory may be up to 265 lbs (120 kg) depending on the model.

The subfloor must be sufficiently stable to bear the weight of the appliance.

The surface must be level.

### Over-and-under and side-by-side installation

If you want to install 2 refrigerating appliances one over the other or side by side, you must maintain a clearance of at least 150 mm between the appliances. Selected appliances can be installed without a minimum clearance. Ask your dealer or kitchen planner about this.

### 4.3 Installing the appliance

- ▶ Install the appliance in accordance with the enclosed installation instructions.

### 4.4 Preparing the appliance for first use

1. Remove the information material.
2. Remove the protective film and transit bolts, e.g. remove the adhesive strips and cardboard.
3. Clean the appliance for the first time. → *Page 21*

### 4.5 Connecting the appliance to the electricity supply

**Requirement:** After transporting the appliance in a horizontal position and installing it, wait at least one hour before connecting it to the mains.

---

<sup>1</sup> Depending on the appliance specifications

<sup>2</sup> Not in all countries

1. Insert the power plug of the appliance's power cord in a socket outlet with grounding nearby. The connection data of the appliance can be found on the rating plate.

→ "Appliance", Fig. **1**/**5**

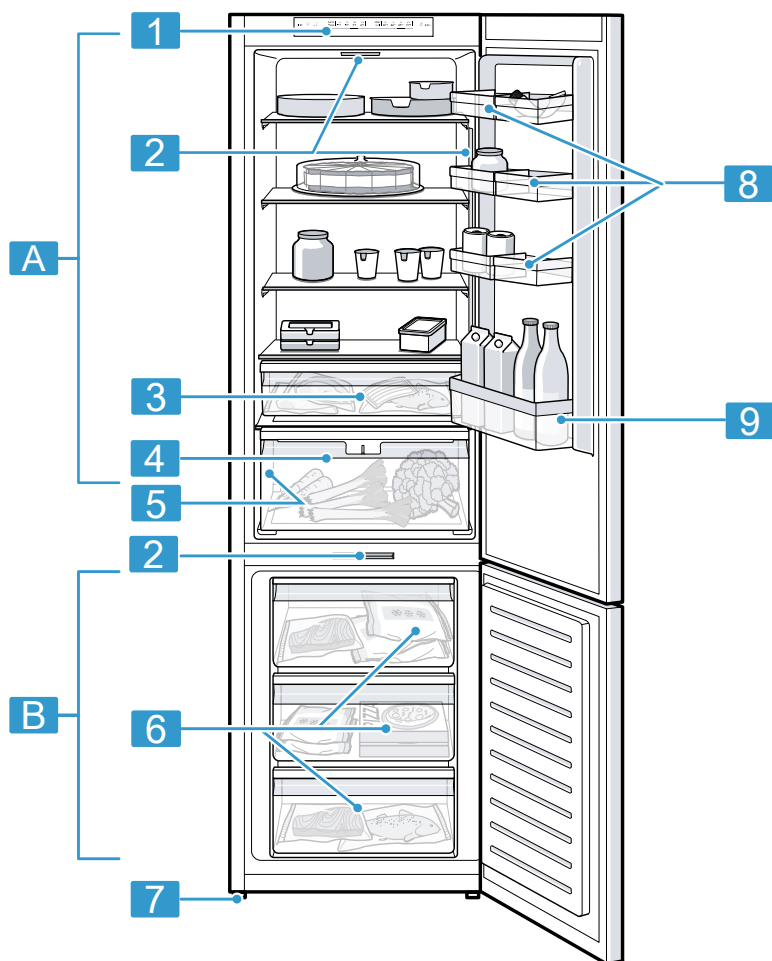
Page 13

2. Check the power plug is inserted properly.
- ✓ The appliance is now ready to use.

## 5 Familiarizing yourself with your appliance

### 5.1 Appliance

Here you can find an overview of the parts of your appliance.



#### 1

Deviations between your appliance and the diagrams may differ with regard to their features and size.

**A** Refrigerator compartment  
→ Page 19

**B** Freezer compartment  
→ Page 19

**1** Control panel → Page 13

**2** Lighting

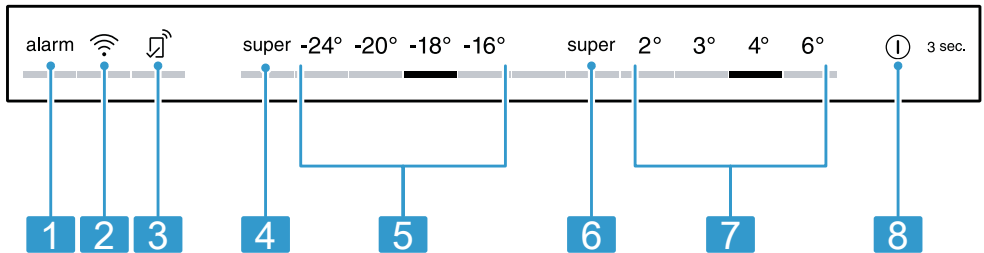
**3** Storage container → Page 14

- 
- 4** Fruit and vegetable container with humidity controller  
→ *Page 14*
- 
- 5** Rating label → *Page 28*
- 

- 
- 6** Frozen food container  
→ *Page 22*
- 
- 7** Screw foot
- 
- 8** Variable door tray → *Page 14*
- 
- 9** Door tray for large bottles
- 

## 5.2 Control panel

You can use the control panel to configure all functions of your appliance and to obtain information about the operating status.



- 2**
- 
- 1** alarm switches the warning signal off.
- 
- 2** switches the connection to the WLAN home network (Wi-Fi) on or off.
- 
- 3** lights up if user-defined settings have been set via the Home Connect® app. You can find more information in the Home Connect® app.
- 
- 4** super (Freezer compartment) switches Super freezing on or off.
- 
- 5** Displays the set temperature for the freezer compartment in °F or °C.
- 
- 6** super (Refrigerator compartment) switches Super cooling on or off.
- 
- 7** Displays the set temperature for the refrigerator compartment in °F or °C.
- 
- 8** 3 sec. switches the appliance on or off.
-

## 6 Features

The features of your appliance depend on the model.

### 6.1 Shelf

To vary the shelf as desired, you can remove the shelf and re-insert it elsewhere.

→ "Removing the shelf", Page 21

### 6.2 Storage container

The temperatures in the storage container are lower than in the refrigerator compartment. Temperatures below 32 °F (0 °C) may occur occasionally.

In order to reach temperatures close to 32 °F (0 °C) in the storage container, set the refrigerator compartment temperature to 34 °F (2 °C).

→ Page 15

Use the lower temperatures in the storage container to store highly perishable food, e.g. fish, meat and sausages.

### 6.3 Fruit and vegetable container with humidity controller

Store fresh fruit and vegetables loose in the fruit and vegetable container. Cover any chopped fruit and vegetables, or store in air-tight packaging. You can adjust the humidity in the fruit and vegetable container using the humidity controller. This allows fresh fruit and vegetables to be stored for longer than with conventional storage.

Condensation may form in the fruit and vegetable container depending on the food and quantity stored.

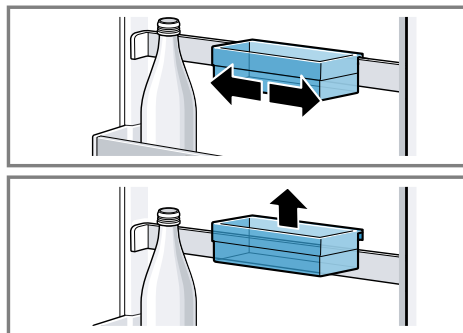
Remove the condensation with a dry cloth and adjust the air humidity to a

lower setting using the humidity controller.

To ensure that the quality and aroma are retained, store fruit and vegetables that are sensitive to cold outside of the appliance at temperatures of approximately 46 °F (8 °C) to 54 °F (12 °C), e.g. pineapple, bananas, citrus fruits, cucumbers, zucchinis, bell peppers, tomatoes and potatoes.

### 6.4 Variable door tray

To adjust the variable door tray as desired, you can move or remove the variable door tray, and re-insert it elsewhere.



You can remove the door tray rail and re-insert it elsewhere.

→ "Removing the door tray rail", Page 23

### 6.5 Ice storage container

If ice cube production is switched on, the ice cubes are automatically stored in the ice cube container.

#### **NOTICE**

The ice maker may become blocked or damaged by food or objects stored in the ice storage container.

- ▶ Never store food or objects in the ice storage container.

---

## 7 Basic Operation

### 7.1 Switching on the appliance

1. Connect the appliance to the electricity supply. → *Page 10*

**Note:** If the appliance has been previously switched off using the control panel, press and hold

⓪ **3 sec.** for 3 seconds.

- ✓ The appliance is now ready to use.
  - ✓ The appliance begins to cool.
  - ✓ A warning tone sounds and the temperature display (freezer compartment) and "alarm" flash because the freezer compartment is still too warm.
2. Switch off the warning tone using **alarm**.
  - ✓ "alarm" goes out as soon as the set temperature has been reached.
  3. Set the desired temperature.  
→ *Page 15*

### 7.2 Operating tips

- Once you have switched on the appliance, the set temperature is only reached after several hours. Do not put any food in the appliance until the set temperature has been reached.
- The front panels of the housing are temporarily heated slightly. This prevents condensation in the area of the door seal.
- When closing the door, make sure that the door is not blocked by stored items.
- When you close the door, a vacuum may be created. The door is then difficult to open again. Wait a moment until the vacuum is offset.
- The temperature in the appliance varies due to the following conditions:

- How often the appliance is opened
- Load capacity
- Temperature of newly stored food
- Ambient temperature
- Direct sunlight

### 7.3 Switching off the appliance

- ▶ Press and hold ⓪ **3 sec.** for 3 seconds.

### 7.4 Setting the temperature

**Tip:** Via the Home Connect® app, you can set temperatures that are not shown on the control panel.

#### Setting the refrigerator compartment temperature

- ▶ Press the desired temperature. The recommended temperature in the refrigerator compartment is 37 °F (3 °C).

#### Setting the freezer compartment temperature

- ▶ Press the desired temperature. The recommended temperature in the freezer compartment is 0 °F (-18 °C).

---

## 8 Additional functions

Find out which additional functions can be used for your appliance. Additional functions can be set via the Home Connect® app.

### 8.1 Super cooling

With Super cooling, the refrigerator compartment cools as cold as possible.

Switch on Super cooling before placing large quantities of food in the refrigerator compartment.

**Note:** When Super cooling is switched on, increased noise may occur.

### Switching on Super cooling

- ▶ Press **super** (Refrigerator compartment).
- ✓ "super" (Refrigerator compartment) lights up.

**Note:** After approximately 6 hours, the appliance switches to normal operation.

### Switching off Super cooling

- ▶ Press **super** (Refrigerator compartment).

## 8.2 Super freezing

With Super freezing, the freezer compartment cools as cold as possible. Switch on Super freezing before placing a larger quantity of food in the appliance.

**Note:** When Super freezing is switched on, increased noise may occur.

### Switching on Super freezing

- ▶ Press **super** (Freezer compartment).
- ✓ "super" (Freezer compartment) lights up.

**Note:** After approximately 54 hours, the appliance switches to normal operation.

### Switching off Super freezing

- ▶ Press **super** (Freezer compartment).

## 8.3 Rest mode

The rest mode switches off all non-essential functions.

During rest mode, the following functions are switched off:

- Super cooling

- Super freezing
- Alarm
- Interior lighting
- Audible signals
- Messages on the control panel

**Note:** The control panel lighting is switched off during rest mode. "super" (Freezer compartment) lights up at a reduced brightness level.

### Switching on rest mode

- ▶ Press and hold **super** (Freezer compartment) for 15 seconds until an audible signal sounds.
- ✓ "super" (Freezer compartment) lights up.

**Note:** After approx. 80 hours, the appliance switches to normal mode.

### Switching off rest mode

- ▶ Press and hold **super** (Freezer compartment) for 15 seconds until an audible signal sounds.

---

# 9 Alarm

## 9.1 Door alarm

If the appliance door is open for a while, the door alarm switches on. A warning tone sounds and "alarm" lights up.

### Switching off the door alarm

- ▶ Close the appliance door or press **alarm**.
- ✓ The warning tone is switched off.

## 9.2 Temperature alarm

If the freezer compartment becomes too warm, the temperature alarm will switch on.

A warning tone sounds and the set temperature (freezer compartment) and "alarm" flash.

**⚠ CAUTION**

During the thawing process, bacteria may multiply and spoil the frozen food.

- ▶ Do not refreeze partly or completely thawed food.
- ▶ Refreeze food only after cooking.
- ▶ The frozen items should no longer be stored for the maximum storage period.

The temperature alarm can be switched on in the following cases:

- The appliance is switched on.  
Do not store any food until the appliance has reached the set temperature.
- Large quantities of fresh food are being placed inside.  
Switch on Super freezing before placing large quantities of food in the appliance.
- The freezer compartment door is open for too long.  
Check whether the frozen food has defrosted or thawed.

**Switching off the temperature alarm**

- ▶ Press **alarm**.
- ✓ The warning tone is switched off.

**10 Home Connect®**

This appliance is network-capable. Connecting your appliance to a mobile device lets you control its functions via the Home Connect® app. The Home Connect® services are not available in every country. The availability of the Home Connect® function depends on the availability of the Home Connect® services in your country. You can find informa-

tion on this at: [www.home-connect.com](http://www.home-connect.com).

To be able to use Home Connect®, you must first set up the connection to the WLAN home network (Wi-Fi <sup>1</sup>) and to the Home Connect® app. After switching on the appliance, wait at least 2 minutes until internal device initialization is complete. Only then should you set up Home Connect®. The Home Connect® app guides you through the entire registration process. Follow the instructions, noting the information in the Home Connect® app.

**Notes**

- Note the safety information in this instruction manual and ensure that it is also observed when operating the appliance using the Home Connect® app.  
→ "Safety", Page 4
- Operating the appliance on the appliance itself always takes priority. It is not possible to operate the appliance using the Home Connect® app during this time.

**10.1 Setting up Home Connect®**

**Requirement:** The appliance receives signals from the WLAN home network (Wi-Fi) at its installation location.

1. Scan the following QR code.



You can install the Home Connect® app and connect your appliance via the QR code.

<sup>1</sup> Wi-Fi is a registered trade mark of the Wi-Fi Alliance.

2. Follow the instructions in the Home Connect® app.

## 10.2 Switching on the connection to the WLAN home network (Wi-Fi)

- ▶ Press .

## 10.3 Switching off the connection to the WLAN home network (Wi-Fi)

- ▶ Press .

## 10.4 Installing updates for the Home Connect® software



**Note:** If an update of the Home Connect® software is available, a message appears in the Home Connect® app.

You can find the current software version in the Home Connect® app under the appliance information for the appliance.

- ▶ To install the update for the Home Connect® software, follow the instructions in the Home Connect® app.
- ✓ The control panel is partially locked during the installation.

## 10.5 Resetting the Home Connect® settings

If your appliance experiences connection problems with the WLAN home network (Wi-Fi) or your appliance wants to log into a different WLAN home network (Wi-Fi), you can reset the Home Connect® settings.

- ▶ Press and hold  for 6 seconds until  goes out.
- ✓ The Home Connect® settings have been reset.

## 10.6 Remote Diagnostics

Customer Service can access your appliance via Remote Diagnostics if you ask them to do so, provided your appliance is connected to the Home Connect® server and Remote Diagnostics is available for your appliance and country. For more information on Remote Diagnostics' availability in your country, visit the Service/Support section of your local website: [www.home-connect.com](http://www.home-connect.com). Please be aware that while Remote Diagnostics can assist in troubleshooting select issues, there may be instances where an on-site service visit is required if the problem cannot be resolved remotely.

## 10.7 Data Protection

Please read this information on data protection.

The first time your appliance is registered on a home network connected to the Internet, your appliance transmits the following types of data to the Home Connect® server (initial registration):

- Unique appliance identification (consisting of appliance codes as well as the MAC address of the installed Wi-Fi communication module).
- Security certificate of the Wi-Fi communication module (to ensure a secure data connection).
- The current software and hardware version of your home appliance.
- Status of any previous reset to factory settings.

This initial registration prepares the Home Connect® functions for use and is only required when you want to use the Home Connect® functions for the first time.

**Note:** Please note that the Home Connect® functions can only be used in conjunction with the Home Connect® app. Information on data protection can be retrieved in the Home Connect® app.

---

## 11 Refrigerator compartment

You can keep dairy products, eggs, prepared meals, pastries, open preserves and hard cheese in the refrigerator compartment.

The temperature can be set from 42 °F (1 °C) to 34 °F (6 °C).

The refrigerator compartment can also be used to store highly perishable foods in the short to medium term. The lower the selected temperature, the longer the food remains fresh.

### 11.1 Tips for storing food in the refrigerator compartment

- Only store food when fresh and undamaged.
- Store food covered or in air-tight packaging.
- To avoid impeding the circulation of air and to prevent food from freezing, do not place food so that it has direct contact with the back wall.
- Allow hot food and drinks to cool down first before placing in the appliance.
- Observe the best-before date or expiration date specified by the manufacturer.

## 11.2 Chill zones in the refrigerator compartment

The air circulation in the refrigerator compartment creates different chill zones.

### Coldest zone

The coldest zone is in the storage container.

**Tip:** Store highly perishable food such as fish, sausages and meat in the coldest zone.

### Warmest zone

The warmest zone is at the very top of the door.

**Tip:** Store groceries that do not spoil easily in the warmest zone, e.g. hard cheese and butter. Cheese can then continue to release its flavor and the butter will still be easy to spread.

---

## 12 Freezer compartment

You can store frozen food, freeze food and make ice cubes in the freezer compartment.

The temperature can be set from 6 °F (-14 °C) to -7 °F (-22 °C).

Long-term storage of food should be at 0 °F (-18 °C) or lower.

The freezer compartment can be used to store perishable foods long-term. The low temperatures slow down or stop the spoilage.

### 12.1 Tips for storing food in the freezer compartment

- Store food in air-tight packaging.
- Do not bring food which is to be frozen into contact with frozen food.
- Place the food over the whole area of the frozen food containers.

## en-us Defrosting

- To ensure that the air can circulate freely in the appliance, push the frozen food containers in as far as they will go.

### 12.2 Tips for freezing fresh food

- Freeze fresh and undamaged food only.
- Freeze food in portions.
- Cooked food is more suitable for freezing than food that can be eaten raw.
- Vegetables: Wash, chop up and blanch before freezing.
- Fruit: Wash, pit and perhaps peel, possibly add sugar or ascorbic acid solution.
- Food that is suitable for freezing includes baked items, fish and seafood, meat, game, poultry, eggs without shells, cheese, butter and curd cheese, prepared meals and leftovers.
- Food that is unsuitable for freezing includes lettuce, radishes, eggs in shells, grapes, raw apples and pears, yogurt, sour cream, crème fraîche and mayonnaise.

### Packing frozen food

If you select suitable packaging material and the correct type of packaging, you can determine the product quality and prevent freezer burn.

1. Place the food in the packaging.
2. Squeeze out the air.
3. Pack food airtight to prevent it from losing flavor or drying out.
4. Label the packaging with the contents and the date of freezing.

### 12.3 Defrosting methods for frozen food

#### CAUTION

During the thawing process, bacteria may multiply and spoil the frozen food.

- ▶ Do not refreeze partly or completely thawed food.
- ▶ Refreeze food only after cooking.
- ▶ The frozen items should no longer be stored for the maximum storage period.
- Defrost animal-based food, such as fish, meat, cheese, curd cheese, in the refrigerator compartment.
- Defrost bread at room temperature.
- Prepare food for immediate consumption in the microwave, in the oven, or on the cooktop.

---

## 13 Defrosting

### 13.1 Defrosting in the freezer compartment

The fully automatic NoFrost system ensures that the freezer compartment remains frost-free. Defrosting is not required.

---

## 14 Cleaning and maintenance

**Note:** The Statement of Limited Product Warranty covers defects in materials and workmanship. Cleaning and maintenance is not covered by the warranty and a charge will apply. See the Statement of Limited Product Warranty for more details.

## 14.1 Preparing the appliance for cleaning

1. Switch off the appliance.  
→ *Page 15*
2. Disconnect the appliance from the power supply.  
Unplug the appliance from the power source or switch off the circuit breaker in the fuse box.
3. Take out all of the food and store it in a cool place.  
Place ice packs (if available) onto the food.
4. Remove all fittings and accessories from the appliance.  
→ *Page 21*
5. Remove the door tray rail.  
→ *Page 23*

## 14.2 Cleaning the appliance

### **⚠ WARNING**

Moisture entering the appliance may cause electrical shock.

- ▶ Do not use any steam cleaners or high-pressure cleaners to clean the appliance.
- ▶ Do not use the appliance with damp hands.

### **NOTICE**

Unsuitable cleaning agents may damage the surfaces of the appliance.

- ▶ Do not use hard scouring pads or cleaning sponges.
- ▶ Do not use strong or abrasive cleaning agents.
- ▶ Do not use cleaning agents with a high alcohol content.
- ▶ Do not use stainless-steel cleaning agents on the outside of the appliance.

If you clean fittings and accessories in the dishwasher, this may cause

them to become deformed or discolored.

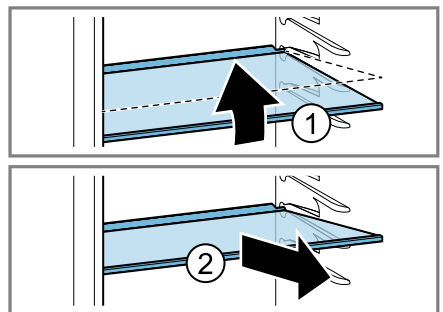
- ▶ Never clean fittings and accessories in the dishwasher.
1. Prepare the appliance for cleaning.  
→ *Page 21*
  2. Clean the outside of the appliance, the inside of the appliance, the fittings, the accessories and the door seals with a dish cloth, luke-warm water and a little pH-neutral dish soap.
  3. Dry thoroughly with a soft, dry cloth.
  4. Insert the fittings and install the removable appliance parts.
  5. Connect the appliance to the electricity supply. → *Page 10*
  6. Put the food into the appliance.

## 14.3 Removing the fittings

If you want to clean the fittings thoroughly, remove these from your appliance.

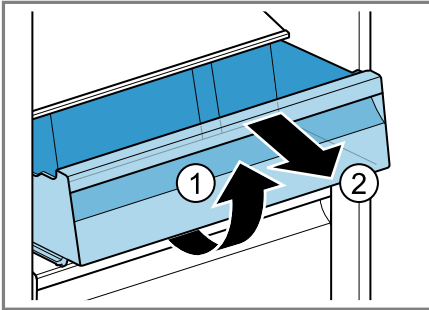
### Removing the shelf

- ▶ Lift the shelf at the front ①, pull it out and remove it ②.



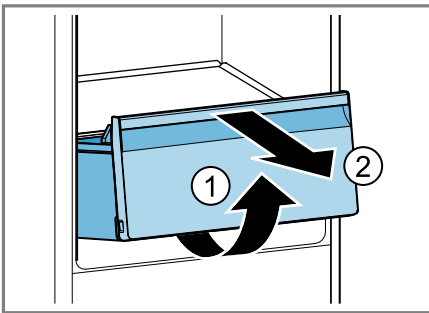
### Removing the storage container

1. Pull the storage container out all the way.
2. Lift the storage container at the front ① and remove it ②.



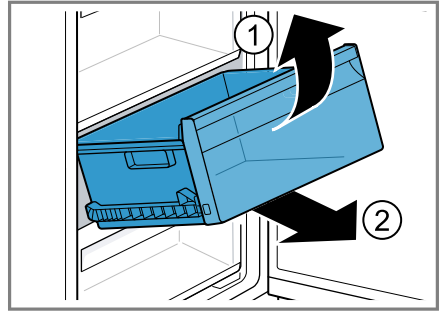
### Removing the fruit and vegetable container

1. Pull out the fruit and vegetable container as far as it will go.
2. Lift the fruit and vegetable container at the front ① and remove it ②.



### Removing the frozen food container

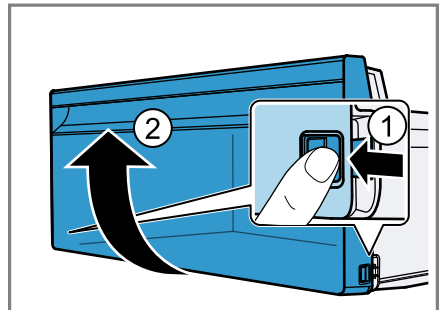
1. Pull out the frozen food container as far as it will go.
2. Lift the frozen food container at the front ① and remove it ②.



### Removing the front of the container

You can remove the front of the fruit and vegetable container and frozen food container to facilitate cleaning.

- ▶ Press in the snap-in hooks on the side of the container ① and remove the front from the container in a turning motion ②.



### Removing the ice cube container

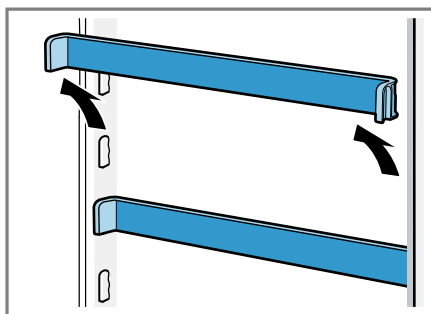
1. Pull out the flat frozen food container as far as it will go.
2. Lift the ice cube container at the front and remove it.

## 14.4 Removing the appliance components

If you want to clean your appliance thoroughly, you can remove certain components from your appliance.

### Removing the door tray rail

- ▶ Lift the door tray rail and remove it.



## 15 Troubleshooting



You can eliminate minor issues on your appliance yourself. Please read the information on eliminating issues before contacting Customer Service. This may avoid unnecessary repair costs.

### **⚠** WARNING

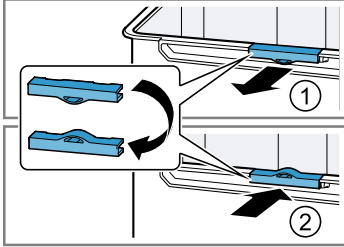

To avoid risk of injury from improper repairs, observe the following.

- ▶ Only qualified technicians or authorized service providers should perform repairs.
- ▶ Only genuine spare parts may be used to repair the appliance.
- ▶ If the power cord of this appliance becomes damaged, it must be replaced by the manufacturer, the manufacturer's Customer Service, or an authorized service provider in order to prevent injury.

Fault	Cause and troubleshooting
The appliance is not cooling, the displays and lighting are lit.	Showroom mode is switched on. <ol style="list-style-type: none"> <li>1. Switch off the appliance. → <i>Page 15</i></li> <li>2. Wait 2 minutes.</li> <li>3. Switch the appliance back on. → <i>Page 15</i></li> <li>4. Wait 1 minute and then hold down <b>super</b> (Refrigerator compartment) until 4 audible signals sound.</li> <li>5. After a short time, check whether your appliance is cooling.</li> </ol>
The LED lighting does not work.	Various causes are possible. <ul style="list-style-type: none"> <li>▶ Call customer service. → <i>"Customer Service", Page 28</i></li> </ul>
The refrigeration unit is switching on more frequently and for longer.	The appliance has been opened frequently. <ul style="list-style-type: none"> <li>▶ Do not open appliance door unnecessarily.</li> </ul>

Fault	Cause and troubleshooting
<p>The refrigeration unit is switching on more frequently and for longer.</p>	<p>External ventilation openings are covered up.</p> <ul style="list-style-type: none"> <li>▶ Remove any obstructions from in front of the external ventilation openings.</li> </ul> <hr/> <p>Not a fault. Modern refrigeration machines switch on more frequently and have different power levels to cool more efficiently.</p>  <ul style="list-style-type: none"> <li>▶ Remove any obstructions from in front of the external ventilation openings.</li> <li>▶ Install the appliance as far away as possible from heating elements, cookers and other heat sources. Avoid prolonged exposure of the appliance to direct sunlight.</li> <li>▶ Only open the appliance door as briefly as necessary.</li> <li>▶ Allow hot food and drinks to cool down first before storing in the appliance.</li> </ul>
<p>A layer of frost forms on the back wall of the refrigerator compartment.</p>	<p>Not a fault. Modern refrigeration machines ensure a more even temperature in the refrigerator compartment. The back wall of the refrigerator compartment is defrosted automatically at regular intervals.</p>  <ul style="list-style-type: none"> <li>▶ Only open the appliance door as briefly as necessary.</li> <li>▶ Pack the food airtight or cover it.</li> <li>▶ Allow hot food and drinks to cool down first before storing in the appliance.</li> <li>▶ Always leave some space between the food and the interior walls.</li> </ul>
<p>Side panels of the appliance are warm.</p>	<p>Not a fault. The side panels contain pipes which heat up during the cooling process. Units touching the appliance will not be damaged by the heat. No action required.</p>
<p>Home Connect® is not working properly.</p>	<p>Various causes are possible.</p> <ul style="list-style-type: none"> <li>▶ Go to <a href="http://www.home-connect.com">www.home-connect.com</a>.</li> </ul>

<b>Fault</b>	<b>Cause and troubleshooting</b>
A warning signal sounds and "alarm" lights up.	<p>Various causes are possible.</p> <ul style="list-style-type: none"> <li>▶ Press <b>alarm</b>.</li> <li>✓ The alarm is switched off.</li> </ul> <hr/> <p>The appliance door is open.</p> <ul style="list-style-type: none"> <li>▶ Close the appliance door.</li> </ul>
All temperature displays and "alarm" light up.	<p>A sensor is defective.</p> <ul style="list-style-type: none"> <li>▶ Call customer service.</li> </ul> <p>→ "Customer Service", Page 28</p>
A warning tone sounds and the set temperature (freezer compartment) and "alarm" flash.	<p>Various causes are possible.</p> <ul style="list-style-type: none"> <li>▶ Press <b>alarm</b>.</li> <li>✓ The alarm is switched off.</li> </ul> <hr/> <p>The freezer compartment door is open.</p> <ul style="list-style-type: none"> <li>▶ Close the freezer compartment door.</li> </ul> <hr/> <p>External ventilation openings are covered up.</p> <ul style="list-style-type: none"> <li>▶ Remove any obstructions from in front of the external ventilation openings.</li> </ul> <hr/> <p>Large quantities of fresh food have been placed inside.</p> <ul style="list-style-type: none"> <li>▶ Do not exceed the freezing capacity.</li> </ul>
The set temperature is not reached. Fully automatic defrosting no longer works.	<p>The freezer compartment door was open for a long time. The evaporator (refrigeration unit) in the NoFrost system is heavily iced up.</p> <p><b>Requirement:</b> Store the frozen food well insulated in a cool place.</p> <ol style="list-style-type: none"> <li>1. Switch off the appliance. → <i>Page 15</i></li> <li>2. Disconnect the appliance from the power supply. Unplug the power plug or switch off the circuit breaker in the fuse box.</li> <li>3. Call customer service.</li> </ol> <p>→ "Customer Service", Page 28</p>
The temperature differs greatly from the setting.	<p>Various causes are possible.</p> <ol style="list-style-type: none"> <li>1. Switch off the appliance. → <i>Page 15</i></li> <li>2. Switch the appliance back on after approximately 5 minutes. → <i>Page 15</i></li> </ol> <ul style="list-style-type: none"> <li>▶ If the temperature is too warm, check the temperature again after a couple of hours.</li> <li>▶ If the temperature is too cold, check the temperature again on the following day.</li> </ul>
Condensation accumulates on the surface of the appliance and on the shelves inside.	<p>The water contained in warm and humid air condenses on the colder surfaces of the appliance.</p> <ol style="list-style-type: none"> <li>1. Wipe away the condensation water with a soft, dry cloth.</li> <li>2. Open the appliance as briefly as possible.</li> </ol>

Fault	Cause and troubleshooting
<p>Condensation accumulates on the surface of the appliance and on the shelves inside.</p>	<p>3. Ensure that the appliance is always closed properly.</p>
<p>A large volume of condensation collects regularly in the fruit and vegetable container.</p>	<p>Depending on the food and quantity stored, condensation may form in the fruit and vegetable container.</p> <ol style="list-style-type: none"> <li>1. Remove the fruit and vegetable container. → <i>Page 22</i></li> <li>2. Remove the ventilation clips ① and rotate them before inserting again ②.</li> </ol>
	
<p>The appliance hums, bubbles, buzzes, gurgles, clicks or crackles.</p>	<p>Not an issue. A motor is running, e.g. refrigerating unit, fan. Refrigerant is flowing through the pipes. The motor, switches or solenoid valves are switching on or off. Automatic defrosting is running. No action required.</p>
<p>The appliance makes noises.</p>	<p>The appliance is not level.</p> <ul style="list-style-type: none"> <li>▶ Align the appliance using a bubble level and the screw feet.</li> </ul>
	<p>The appliance is not free-standing.</p> <ul style="list-style-type: none"> <li>▶ Observe the minimum clearances for the appliance.</li> </ul>
	<p>Fittings wobble or stick.</p> <ul style="list-style-type: none"> <li>▶ Check the removable fittings and, if required, replace these.</li> </ul>
	<p>Bottles or containers are touching.</p> <ul style="list-style-type: none"> <li>▶ Move the bottles or containers away from each other.</li> </ul>
	<p>Super freezing is switched on. No action required.</p>

### 15.1 Power failure

During a power failure, the temperature in the appliance rises; this reduces the storage time and the quality of the frozen food.

### Notes

- Open the appliance as little as possible during a power failure and do not place any other food in the appliance.

- Check the quality of the food immediately after a power failure.
  - Dispose of any frozen food that has defrosted and is warmer than 41 °F (5 °C).
  - Cook or fry slightly thawed frozen food, and then either consume it or freeze it again.

## 15.2 Conducting an appliance self-test

Your appliance has an appliance self-test which displays faults that can be eliminated by your customer service.

1. Switch off the appliance.  
→ *Page 15*
2. Disconnect the appliance from the power supply.  
Unplug the appliance from the power source or switch off the circuit breaker in the fuse box.
3. Connect the appliance to the electricity supply after 5 minutes.  
→ *Page 10*
4. Switch on the appliance.  
→ *Page 15*
5. One minute after switching on, press and hold **super** (Freezer compartment) for 3 to 5 seconds until an audible signal sounds.
- ✓ The appliance self-test starts when the temperature displays light up in succession.
- ✓ If, at the end of the appliance self-test, 2 audible signals sound and the temperature display indicates the set temperature, the temperature sensors on your appliance are OK. The appliance switches to normal operation.
- ✓ If, at the end of the appliance self-test, 5 audible signals sound and the temperature display LEDs light up with a different brightness, inform customer service. The LEDs

provide customer service with information about this fault.

6. Press ##CP0458SY## so that the appliance skips to normal operation.
- ✓ Super cooling is switched on and "super" (Refrigerator compartment) lights up.
7. Switch off Super cooling.  
→ *Page 16*
8. Set the temperature. → *Page 15*

---

## 16 Storage and disposal

### 16.1 Taking the appliance out of operation

1. Switch off the appliance.  
→ *Page 15*
2. Disconnect the appliance from the power supply.  
Unplug the appliance from the power source or switch off the circuit breaker in the fuse box.
3. Remove all of the food.
4. Clean the appliance. → *Page 21*
5. **NOTICE:** Objects jammed between the door and the housing may damage the door hinge.
  - ▶ Open the door until it remains open by itself.
  - ▶ Do not insert any objects between the door and the housing.

To ensure the ventilation inside the appliance, leave the appliance open.

### 16.2 Disposal of your old appliance

Environmentally compatible disposal allows valuable raw materials to be recycled.

### **WARNING**

Children can lock themselves in the appliance, thereby putting their lives at risk.

- ▶ Remove the appliance doors.
- ▶ To prevent children from climbing in, leave shelves and containers in the appliance.
- ▶ Keep children away from the discarded appliance.

### **WARNING**

If the tubes are damaged, flammable refrigerant and harmful gases may escape and ignite.

- ▶ Do not damage the tubes of the refrigerant circuit or the insulation.
1. Unplug the appliance from the power supply.
  2. Cut through the power cord.
  3. Remove the appliance doors.
  4. Dispose of the appliance in an environmentally responsible manner. Information about current disposal methods can be obtained from your specialist dealer or local authority.

---

## 17 Customer Service

With any warranty repair, we will make sure your appliance is repaired by an authorized service provider using genuine replacement parts. We use only genuine replacement parts for all repairs.

You can obtain function-relevant and storable genuine spare parts from our Customer Service for up to 15 years from the date on which your appliance was placed on the market. For more information, please contact our Customer Service team.

Detailed information on the warranty period and terms of warranty can be

found in the Statement of Limited Product Warranty, from your retailer, or on our website.

USA:

1-800-944-2904

[www.bosch-home.com/us/owner-support/get-support](http://www.bosch-home.com/us/owner-support/get-support)

[www.bosch-home.com/us/shop](http://www.bosch-home.com/us/shop)

CA:

1-800-944-2904

[www.bosch-home.ca/en/service/get-support](http://www.bosch-home.ca/en/service/get-support)

[www.bosch-home.ca/en/service/cleaners-and-accessories](http://www.bosch-home.ca/en/service/cleaners-and-accessories)

For assistance with connecting to Home Connect®, you can also view instructions here:

[www.home-connect.com/us/en/help-support/set-up](http://www.home-connect.com/us/en/help-support/set-up)

### **17.1 Model number (E-Nr.), production number (FD) and consecutive numbering (Z-Nr.)**

If you contact Customer Service, you will need the product number (E-Nr.), production number (FD), and consecutive numbering (Z-Nr.), which you can find on the appliance's rating label.

→ "Appliance", Fig. **1/5** Page 13

Making a note of your appliance's details and the Customer Service telephone number will enable you to find them again quickly.

---

## 18 Technical specifications

Refrigerant, cubic capacity and further technical specifications can be found on the rating plate.

→ "Appliance", Fig. **1/5** Page 13

## 18.1 Information regarding Free and Open Source Software

This product includes software components that are licensed by the copyright holders as free or open source software.

The applicable license information is stored on your home appliance. You can also access the applicable license information via your Home Connect® app: "Profile -> Legal information -> License Information".<sup>1</sup> You can also download the license information on the brand product website. (Please search on the product website for your appliance model and additional documents). Alternatively, you can request the relevant information from [ossrequest@bshg.com](mailto:ossrequest@bshg.com) or BSH Hausgeräte GmbH, Carl-Wery-Str. 34, 81739 Munich, Germany.

The relevant source code will be made available to you on request. Please send your request to [ossrequest@bshg.com](mailto:ossrequest@bshg.com) or BSH Hausgeräte GmbH, Carl-Wery-Str.34, 81739 Munich, Germany.

Subject: „OSSREQUEST“

The cost of performing your request will be charged to you. This offer is valid for three years from the date of purchase or at least as long as we offer support and spare parts for the relevant appliance.

---

<sup>1</sup> Depending on the appliance specifications

# Table des matières

<b>1 Sécurité .....</b>	<b>32</b>	<b>7 Opération de base .....</b>	<b>44</b>
1.1 Définitions des termes de sécurité .....	32	7.1 Mettre l'appareil sous tension .....	44
1.2 Indications générales .....	32	7.2 Remarques concernant le fonctionnement de l'appareil ..	44
1.3 Conformité d'utilisation .....	32	7.3 Éteindre l'appareil .....	44
1.4 Restrictions au cercle d'utilisateurs .....	32	7.4 Régler la température .....	44
1.5 Transport sûr .....	33	<b>8 Fonctions additionnelles .....</b>	<b>45</b>
1.6 Installation sûre .....	33	8.1 Super-réfrigération .....	45
1.7 Utilisation sûre .....	34	8.2 Super-congélation .....	45
1.8 Appareil endommagé .....	36	8.3 Mode Repos .....	45
1.9 Mises en garde conformément à la proposition 65 de l'État de Californie .....	37	<b>9 Alarme .....</b>	<b>46</b>
<b>2 Prévenir les bris matériels .....</b>	<b>38</b>	9.1 Alarme de porte .....	46
<b>3 Protection de l'environnement et économies .....</b>	<b>38</b>	9.2 Alarme de température .....	46
3.1 Mise au rebut de l'emballage .....	38	<b>10 Home Connect® .....</b>	<b>46</b>
3.2 Économiser de l'énergie .....	38	10.1 Configurer Home Connect® .....	47
<b>4 Installation et branchement .....</b>	<b>39</b>	10.2 Activer la connexion au réseau domestique WLAN (Wi-Fi) .....	47
4.1 Contenu de livraison .....	39	10.3 Désactiver la connexion au réseau domestique WLAN (Wi-Fi) .....	47
4.2 Critères pour le lieu d'installation .....	39	10.4 Installer la mise à jour du logiciel Home Connect® .....	47
4.3 Monter l'appareil .....	40	10.5 Réinitialiser les réglages Home Connect® .....	47
4.4 Préparer l'appareil pour la première utilisation .....	40	10.6 Diagnostic à Distance .....	47
4.5 Raccordement électrique de l'appareil .....	40	10.7 Protection des données .....	48
<b>5 Description de l'appareil .....</b>	<b>41</b>	<b>11 Compartiment réfrigération ...</b>	<b>48</b>
5.1 Appareil .....	41	11.1 Conseils pour ranger des produits alimentaires dans le compartiment réfrigération ...	48
5.2 Bandeau de commande .....	42	11.2 Zones froides dans le compartiment réfrigération ...	49
<b>6 Équipement .....</b>	<b>43</b>	<b>12 Compartiment congélation ....</b>	<b>49</b>
6.1 Clayette .....	43	12.1 Conseils pour ranger des aliments dans le compartiment congélation ....	49
6.2 Bac de rangement .....	43	12.2 Conseils pour congeler des aliments frais .....	49
6.3 Bac à fruits et légumes avec régulateur d'humidité .....	43		
6.4 Compartiment de contre-porte variable .....	43		
6.5 Réserve à glaçons .....	43		

12.3 Méthodes de décongélation pour aliments congelés .....	50
<b>13 Dégivrer .....</b>	<b>50</b>
13.1 Dégivrer le compartiment congélation .....	50
<b>14 Nettoyage et entretien .....</b>	<b>50</b>
14.1 Préparer l'appareil pour le nettoyage .....	50
14.2 Nettoyer l'appareil .....	51
14.3 Retirer les pièces d'équipement .....	51
14.4 Démonter les pièces de l'appareil .....	52
<b>15 Dépannage .....</b>	<b>53</b>
15.1 Panne de courant .....	56
15.2 Effectuer l'auto-test de l'appareil .....	57
<b>16 Entreposage et mise au rebut .....</b>	<b>57</b>
16.1 Mettre l'appareil hors service .....	57
16.2 Éliminer un appareil usagé ...	57
<b>17 Service à la clientèle .....</b>	<b>58</b>
17.1 Numéro de modèle (E-Nr.), numéro de fabrication (FD) et numéro de comptage (Z- Nr.) .....	59
<b>18 Données techniques .....</b>	<b>59</b>
18.1 Informations sur le logiciel libre .....	59
<b>Recursos y ayuda en línea en español .....</b>	<b>60</b>



# IMPORTANTES CONSIGNES DE SÉCURITÉ

## LIRE ET CONSERVER CES INSTRUCTIONS

---

Respectez les consignes de sécurité suivantes.

### 1.1 Définitions des termes de sécurité

Vous trouverez ici des explications sur les mots de signalisation de sécurité utilisés dans ce manuel.

#### **AVERTISSEMENT**

Signale un risque de mort ou de blessure grave si l'avertissement n'est pas respecté.

#### **MISE EN GARDE**

Signale un risque de blessures mineures ou modérées si l'avertissement n'est pas respecté.

#### **AVIS**

Ceci indique que la non-conformité à cet avis de sécurité peut entraîner des dégâts matériels ou endommager l'appareil.

**Remarque :** Ceci vous signale des informations importantes.

### 1.2 Indications générales

- Lisez attentivement cette notice.
- Veuillez conserver la notice et les renseignements sur le produit en vue d'une réutilisation ultérieure ou pour un futur nouveau propriétaire.
- Ne branchez pas l'appareil si ce dernier a été endommagé durant le transport.

### 1.3 Conformité d'utilisation

Utilisez l'appareil uniquement :

- pour réfrigérer et congeler des aliments, et pour préparer des glaçons.
- dans un domicile privé et dans une pièce fermée de l'environnement domestique.
- jusqu'à une altitude maximale de 6560 pi (2000 m) au-dessus du niveau de la mer.

### 1.4 Restrictions au cercle d'utilisateurs

Cet appareil n'est pas destiné à être utilisé par des personnes (y compris des enfants) présentant des capacités physiques, sensorielles ou mentales réduites, à moins qu'elles n'aient été informées de la manière d'utiliser l'appareil par une personne responsable de leur sécurité.

Ne permettez jamais aux enfants de jouer avec l'appareil.



# IMPORTANTES CONSIGNES DE SÉCURITÉ

## LIRE ET CONSERVER CES INSTRUCTIONS

---

Le nettoyage de l'appareil et l'entretien par l'utilisateur sont des activités que les enfants ne peuvent pas effectuer sans surveillance.

### 1.5 Transport sûr

#### AVERTISSEMENT

Il peut être risqué de soulever l'appareil en raison de son poids élevé.

- ▶ Soulevez l'appareil à deux personnes.

### 1.6 Installation sûre

#### AVERTISSEMENT

Pour éviter tout risque de blessure lié à une installation incorrecte, il convient de respecter les points suivants.

- ▶ Assurez-vous que toutes les instructions d'installation ont été suivies avant l'utilisation.
- ▶ Observer impérativement les indications figurant sur la plaque signalétique lors du raccordement et de l'utilisation de l'appareil.
- ▶ Brancher l'appareil uniquement à l'aide d'une fiche dûment installée avec mise à la terre dans une prise secteur à courant alternatif.
- ▶ Le système à conducteur de protection de l'installation électrique de la maison doit être installé correctement.
- ▶ Ne jamais alimenter l'appareil par l'intermédiaire d'un appareil de commutation externe, par ex. une minuterie ou une télécommande.
- ▶ Si l'appareil est encastré, la fiche du cordon d'alimentation secteur doit être librement accessible ou, si un accès libre est impossible, un dispositif de sectionnement doit être installé dans l'installation électrique fixe, conformément aux réglementations d'installation.
- ▶ Veillez à ne pas coincer ou endommager le câble d'alimentation en posant l'appareil.

Pour éviter tout risque de blessure dû à une isolation endommagée du cordon d'alimentation, observez ce qui suit.

- ▶ Ne mettez jamais en contact le cordon d'alimentation avec des sources de chaleur.

#### AVERTISSEMENT

Si les orifices de ventilation de l'appareil sont obstrués, un mélange gaz-air inflammable peut se produire si le circuit de réfrigération fuit.

- ▶ N'obstruez pas les orifices de ventilation dans le boîtier de l'appareil ou dans le boîtier d'installation.



# IMPORTANTES CONSIGNES DE SÉCURITÉ

## LIRE ET CONSERVER CES INSTRUCTIONS

---

### AVERTISSEMENT

Pour éviter tout risque de blessure dû à un cordon d'alimentation trop long et à des adaptateurs non approuvés, observez ce qui suit.

- ▶ N'utilisez JAMAIS l'appareil avec une rallonge, une multiprise ou un adaptateur.
- ▶ Utilisez l'appareil uniquement avec le cordon d'alimentation secteur fourni.
- ▶ Si le câble de raccordement est trop court et qu'aucun cordon d'alimentation secteur plus long n'est disponible, confiez les modifications nécessaires à un électricien qualifié qui respectera les normes électriques nationales et locales en vigueur.

Les blocs multiprises ou blocs secteur mobiles peuvent surchauffer et provoquer un incendie.

- ▶ Ne placez pas les blocs multiprises ou blocs secteur mobiles à l'arrière des appareils.

## 1.7 Utilisation sûre

### AVERTISSEMENT

L'humidité qui pénètre peut occasionner une électrocution.

- ▶ Utiliser l'appareil uniquement dans des pièces fermées.
- ▶ Ne jamais exposer l'appareil à une forte chaleur ou humidité.
- ▶ N'utilisez pas de nettoyeur haute pression ou de nettoyer à vapeur pour nettoyer l'appareil.

### AVERTISSEMENT

Pour éviter tout risque d'étouffement chez les enfants, respectez les consignes suivantes.

- ▶ Gardez le matériel d'emballage à l'écart des enfants.
- ▶ Ne permettez jamais aux enfants de jouer avec le matériel d'emballage. Les enfants risquent d'inhaler ou d'avalier des petits morceaux et s'étouffer.
- ▶ Gardez les petits morceaux à l'écart des enfants.
- ▶ Ne permettez jamais aux enfants de jouer avec les petits morceaux.

### AVERTISSEMENT

Les dommages au niveau du circuit de refroidissement peuvent provoquer un incendie ou une explosion.

- ▶ Pour accélérer le dégivrage, n'utilisez pas d'autres dispositifs mécaniques ou d'autres produits que ceux recommandés par le fabricant.
- ▶ Détachez les aliments congelés à l'aide d'un objet émoussé, par exemple le manche d'une cuillère en bois.



# IMPORTANTES CONSIGNES DE SÉCURITÉ

## LIRE ET CONSERVER CES INSTRUCTIONS

---

Des produits contenant des gaz propulseurs inflammables et des matières explosives peuvent exploser, par ex. bombes aérosols.

- ▶ Ne stockez pas de produits contenant des gaz propulseurs inflammables et des matières explosives dans l'appareil.

### AVERTISSEMENT

Les appareils électriques à l'intérieur de l'appareil peuvent provoquer un incendie, par ex. appareils de chauffage ou fabriques de glace électriques.

- ▶ N'utilisez aucun appareil électrique à l'intérieur de l'appareil.

### AVERTISSEMENT

Les récipients contenant des boissons gazeuses risquent d'éclater.

- ▶ Ne stockez jamais de boissons gazeuses dans le compartiment congélation. Lésions oculaires dues à la fuite de fluide frigorigène inflammable et de gaz nocifs.
- ▶ Veillez à ne pas endommager les tubulures du circuit frigorifique, ni l'isolant. L'appareil peut basculer.
- ▶ Ne vous servez jamais du socle, des glissières ou des portes comme marchepieds et ne vous appuyez jamais dessus.

### AVERTISSEMENT

Certaines pièces à l'arrière de l'appareil deviennent très chaudes en service.

- ▶ Ne touchez jamais les pièces chaudes.

### AVERTISSEMENT

Un contact avec les produits congelés et les surfaces froides peut entraîner des brûlures par le froid.

- ▶ Ne portez jamais des produits surgelés à la bouche immédiatement après les avoir sortis du compartiment congélation.
- ▶ Évitez tout contact prolongé de la peau avec les produits congelés, la glace et les surfaces métalliques présents dans le compartiment congélation.

### MISE EN GARDE

Pour éviter toute contamination des produits alimentaires, respectez les instructions suivantes.

- ▶ L'ouverture prolongée de la porte peut entraîner une importante augmentation de la température dans les compartiments de l'appareil.
- ▶ Nettoyez régulièrement les surfaces qui peuvent entrer en contact avec des produits alimentaires et systèmes d'écoulement accessibles.
- ▶ Conserver la viande et le poisson crus dans des récipients appropriés dans l'appareil de réfrigération de sorte qu'ils ne soient pas en contact avec d'autres aliments et qu'ils ne coulent pas dessus.



# IMPORTANTES CONSIGNES DE SÉCURITÉ

## LIRE ET CONSERVER CES INSTRUCTIONS

---

- ▶ Si le réfrigérateur/congélateur reste vide pendant une longue période, éteignez l'appareil, dégivrez-le, nettoyez-le et laissez la porte ouverte, afin d'éviter la formation de moisissures.

Les pièces métalliques ou d'aspect métallique de l'appareil peuvent contenir de l'aluminium. Si des aliments acides entrent en contact avec de l'aluminium, des ions d'aluminium peuvent être transférés dans les aliments.

- ▶ Ne consommez pas les aliments contaminés.

### 1.8 Appareil endommagé

#### AVERTISSEMENT

Pour éviter tout risque de blessure dû à un appareil ou à un cordon d'alimentation endommagé, observez ce qui suit.

- ▶ Ne jamais utiliser un appareil endommagé.
- ▶ Ne jamais tirer sur le cordon d'alimentation secteur pour débrancher l'appareil du secteur. Toujours débrancher la fiche mâle du cordon d'alimentation secteur.
- ▶ Si l'appareil ou le cordon d'alimentation secteur est endommagé, débrancher immédiatement la fiche mâle du cordon d'alimentation secteur ou couper le fusible dans le boîtier à fusibles et fermer l'arrivée de gaz.
- ▶ Appeler le service à la clientèle. → *Page 58*

Pour éviter tout risque de blessure dû à des réparations incorrectes, respectez les points suivants.

- ▶ Seuls des techniciens qualifiés ou des prestataires de services agréés peuvent effectuer des réparations.
- ▶ Seules des pièces de rechange d'origine peuvent être utilisées pour réparer l'appareil.
- ▶ Afin d'écartier tout danger, quand le cordon d'alimentation de cet appareil est endommagé, seul le fabricant, son service à la clientèle ou toute autre personne de qualification équivalente est habilité à le faire.

#### AVERTISSEMENT



Veillez respecter les consignes suivantes afin d'éviter tout risque d'incendie ou de fuite de gaz nocifs.

Les dommages au niveau du circuit de refroidissement peuvent provoquer un incendie ou une explosion.

- ▶ En cas de suspicion de dommages au niveau des tuyaux de refroidissement, N'UTILISEZ PAS l'appareil.



# IMPORTANTES CONSIGNES DE SÉCURITÉ

## LIRE ET CONSERVER CES INSTRUCTIONS

---

- ▶ Évitez que des flammes nues et des étincelles soient présentes à proximité de l'appareil.
- ▶ Débranchez immédiatement l'appareil ou coupez le fusible.
- ▶ Contactez un prestataire de services autorisé ou appelez le service clientèle pour procéder à une vérification et à une réparation → *Page 58*.

### 1.9 Mises en garde conformément à la proposition 65 de l'État de Californie

Ce produit pourrait contenir un produit chimique reconnu par l'État de la Californie comme cancérigène ou ayant des effets nocifs sur la reproduction. Par conséquent, vous pourriez devoir apposer l'étiquette suivante sur l'emballage du produit comme requis par la Californie :

STATE OF CALIFORNIA PROPOSITION 65 WARNING: /  
AVERTISSEMENT ISSUE DE LA PROPOSITION 65  
DE L'ÉTAT DE LA CALIFORNIE:



**WARNING /  
AVERTISSEMENT**

Cancer and Reproductive Harm / Cancer et dommages à la  
reproduction - [www.P65Warnings.ca.gov](http://www.P65Warnings.ca.gov).

---

## 2 Prévenir les bris matériels

### AVIS

Le basculement des roulettes de l'appareil peut endommager le sol lors du déplacement de l'appareil.

- ▶ Transportez l'appareil avec un diable.
- ▶ Lorsque vous déplacez l'appareil, protégez le sol et ne faites pas de zigzags.

L'utilisation de l'appareil, du socle, des glissières ou des portes comme surface d'assise ou comme marchepied peut endommager l'appareil.

- ▶ Ne vous servez jamais de l'appareil, du socle, des glissières ou des portes comme marchepieds et ne vous appuyez jamais dessus.

En cas de salissures provenant d'huile ou de graisse, des pièces en matière plastique et les joints de porte peuvent devenir poreux.

- ▶ Veillez à ce que les pièces en matière plastique et les joints de porte soient exempts d'huile et de graisse.

Les pièces métalliques ou d'aspect métallique de l'appareil peuvent contenir de l'aluminium. Au contact avec des aliments acides, l'aluminium se corrode et se décolore.

- ▶ Ne conserver des aliments dans l'appareil que s'ils sont emballés.

Si vous nettoyez les pièces d'équipement et les accessoires au lave-vaisselle, ceux-ci risquent de se déformer ou de déteindre.

- ▶ Ne nettoyez jamais les équipements et accessoires au lave-vaisselle.

---

## 3 Protection de l'environnement et économies

### 3.1 Mise au rebut de l'emballage

Les matériaux d'emballage sont écologiques et recyclables.

- ▶ Veuillez éliminer les pièces détachées après les avoir triées par matières.

### 3.2 Économiser de l'énergie

Si vous respectez les instructions suivantes, votre appareil consommera moins de courant.

#### Choisir le lieu d'installation

- Protégez l'appareil de la lumière directe du soleil.
- Installez l'appareil aussi loin que possible des radiateurs, des cuisinières et des autres sources de chaleur :
  - Respectez une distance de  $1\frac{1}{4}$ " (30 mm) par rapport aux cuisinières électriques ou à gaz.
  - Respectez une distance de  $11\frac{13}{16}$ " (300 mm) par rapport à un appareil de chauffage au fuel ou au charbon.
- Respectez une petite distance latérale au mur.
- Ne recouvrez et ne bouchez jamais les orifices de ventilation extérieurs.

#### Économiser de l'énergie lors de l'utilisation

**Remarque :** La disposition des pièces d'équipement n'a aucune influence sur la consommation d'énergie de l'appareil.

- N'ouvrez que brièvement l'appareil et fermez-le avec précaution.
- Ne recouvrez et n'obstruez jamais les grilles de ventilation intérieures ni les orifices de ventilation extérieurs.
- Transportez les produits alimentaires achetés dans un sac isotherme et rangez-les rapidement dans l'appareil.
- Attendez que les aliments et les boissons chaudes refroidissent avant de les ranger.
- Pour profiter du froid des produits congelés, placez les produits à décongeler dans le compartiment réfrigération.
- Laissez toujours un peu de place entre les produits alimentaires et la paroi arrière.

---

## 4 Installation et branchement

### 4.1 Contenu de livraison

Après avoir déballé le produit, inspectez toutes les pièces pour détecter d'éventuels dégâts dus au transport et vous assurer de l'intégralité de la livraison.

En cas de réclamation, veuillez vous adresser à votre revendeur ou auprès de notre service à la clientèle → *Page 58*.

La livraison comprend :

- Appareil indépendant
- Des équipements et accessoires <sup>1</sup>
- Notice de montage
- Le mode d'emploi
- Déclaration de garantie limitée du produit

<sup>1</sup> selon l'équipement de l'appareil

<sup>2</sup> Pas dans tous les pays

- Le document annexe de la garantie<sup>2</sup>
- Le label énergétique
- Des informations relatives à la consommation d'énergie et aux bruits
- Des informations sur Home Connect®

### 4.2 Critères pour le lieu d'installation

#### AVERTISSEMENT

Si l'appareil est installé dans une pièce trop petite, une éventuelle fuite du circuit de réfrigération pourrait donner lieu à un mélange de gaz et d'air inflammable.

- ▶ Placez l'appareil uniquement dans une pièce dont le volume minimum est de 35 ft<sup>3</sup> (1 m<sup>3</sup>) par 8 g de fluide frigorigène. La quantité de fluide frigorigène est indiquée sur la plaque signalétique.

→ "Appareil", Fig. **1** / **5** Page 42

Selon le modèle, le poids de l'appareil départ usine peut atteindre 265 lbs (120 kg).

Le plancher doit être assez stable pour supporter le poids de l'appareil. Le plancher doit être plat.

#### Installation au-dessus et en-dessous, et côte à côte

Si vous souhaitez installer 2 réfrigérateurs superposés ou côte à côte, vous devez observer une distance d'au moins 150 mm entre les appareils. Pour les appareils sélectionnés, une installation sans distance minimale est possible. Demandez conseil à votre revendeur ou à votre cuisiniste.

### 4.3 Monter l'appareil

- ▶ Montez l'appareil selon les instructions de montage jointes.

### 4.4 Préparer l'appareil pour la première utilisation

1. Retirez le matériel d'informations.
2. Retirer les films protecteurs et les sécurités de transport, par ex. les bandes adhésives et le carton.
3. Nettoyez l'appareil pour la première fois. → *Page 51*

### 4.5 Raccordement électrique de l'appareil

**Exigence :** Après avoir transporté l'appareil et l'avoir installé, patientez au moins une heure avant de le brancher.

1. Branchez la fiche secteur du cordon d'alimentation de l'appareil dans une prise murale avec mise à la terre à proximité de l'appareil. Les données de raccordement de l'appareil sont indiquées sur la plaque signalétique.

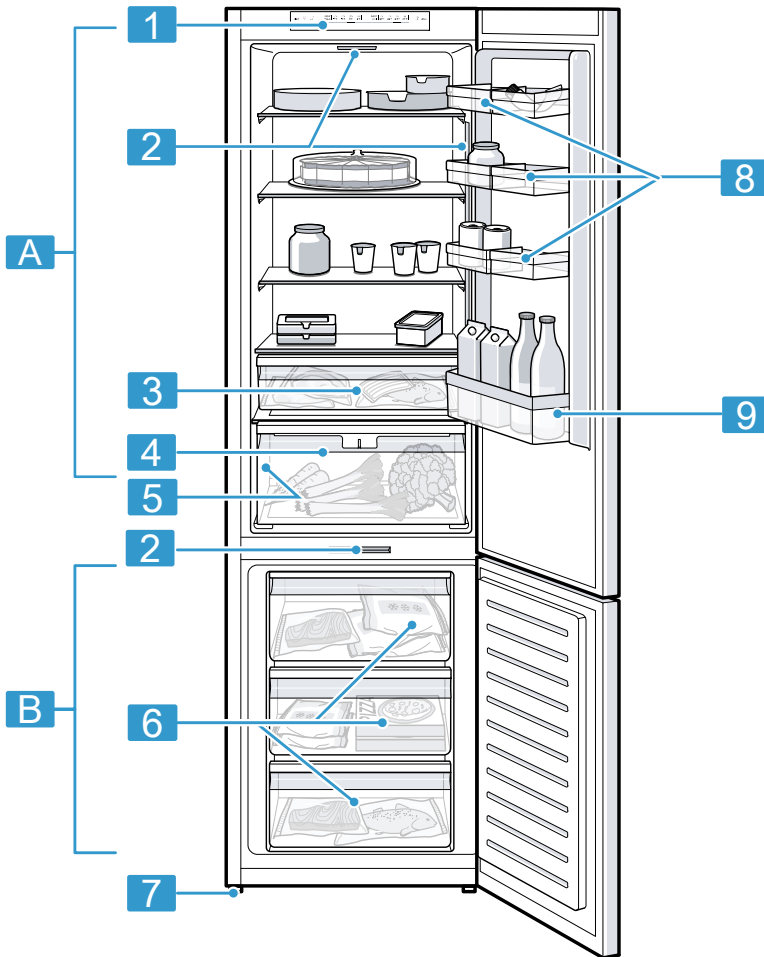
→ "Appareil", Fig. **1**/**5** *Page 42*

2. S'assurer que la fiche est correctement insérée.
- ✓ L'appareil est maintenant prêt à fonctionner.

## 5 Description de l'appareil

### 5.1 Appareil

Cette section contient une vue d'ensemble des composants de votre appareil.



**1**

Selon l'équipement et la taille, des divergences sont possibles entre votre appareil et les illustrations.

**A** Compartiment réfrigération  
→ Page 48

**B** Compartiment congélation  
→ Page 49

**1** Panneau de configuration  
→ Page 42

**2** Éclairage

**3** Bac de rangement → Page 43

**4** Bac à fruits et légumes avec régulateur d'humidité → Page 43

**5** Plaque signalétique → Page 59

**6** Bac à produits congelés → Page 52

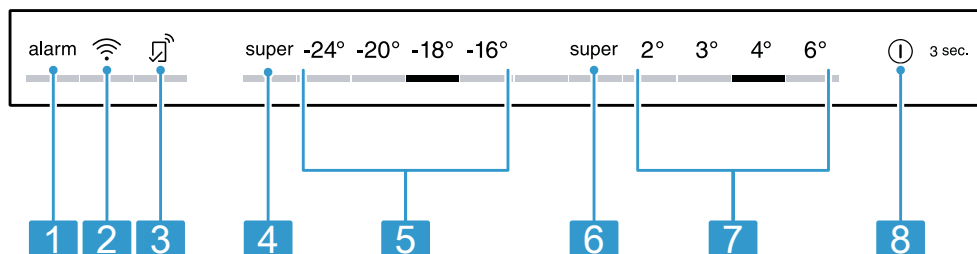
**7** Pied à vis

**8** Compartiment de contre-porte variable → Page 43

**9** Compartiment de contre-porte pour grandes bouteilles


## 5.2 Bandeau de commande


Le bandeau de commande vous permet de configurer toutes les fonctions de votre appareil et d'obtenir des informations sur son état de fonctionnement.



### 2

**1** alarm désactive l'alarme sonore.

**2**  active ou désactive la connexion au réseau domestique WLAN (Wi-Fi).


**3**  s'allume lorsque des réglages définis par l'utilisateur sont réglés via l'appli Home Connect®. Vous trouverez de plus amples informations dans l'appli Home Connect®.

**4** super (congélateur) active ou désactive la fonction Super-congélation.

**5** Affiche la température réglée du compartiment congélation en °C.

**6** super (réfrigérateur) active ou désactive la fonction Super-réfrigération.

**7** Affiche la température réglée du compartiment réfrigération.

**8**  3 sec. allume ou éteint l'appareil.

## 6 Équipement

L'équipement de votre appareil dépend de son modèle.

### 6.1 Clayette

Pour varier la position de la clayette selon les besoins, vous pouvez retirer la clayette et la replacer à un autre endroit.

→ *"Retirer la clayette", Page 51*

### 6.2 Bac de rangement

Les températures régnant dans le bac de rangement sont plus basses que dans le compartiment réfrigération. Des températures inférieures à 32 °F (0 °C) peuvent parfois se produire.

Pour atteindre des températures proches de 32 °F (0 °C) dans le bac de rangement, réglez la température du réfrigérateur sur 34 °F (2 °C).

→ *Page 44*

Utilisez les températures plus basses du bac de rangement pour conserver les aliments périssables, par ex. le poisson, la viande et la charcuterie.

### 6.3 Bac à fruits et légumes avec régulateur d'humidité

Stockez les fruits et légumes frais non emballés dans le bac à fruits et légumes.

Conservez les fruits et légumes coupés recouverts ou dans un emballage hermétique.

Le régulateur d'humidité vous permet d'adapter l'humidité de l'air dans le bac à fruits et légumes. Les fruits et légumes frais se conservent ainsi plus longtemps qu'avec un mode de rangement conventionnel.

Suivant la quantité et la nature des produits stockés, de l'eau peut se

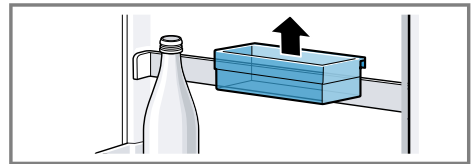
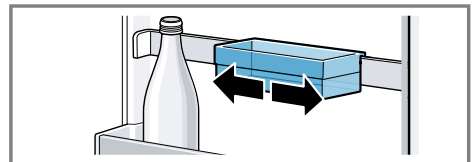
condenser dans le bac à fruits et légumes.

Éliminer l'eau condensée avec un essuie-tout sec et régler un faible taux d'humidité de l'air à l'aide du régulateur d'humidité.

Afin de conserver leur qualité et leurs arômes, rangez les fruits et légumes sensibles au froid en dehors de l'appareil à des températures comprises entre 46 °F (8 °C) à 54 °F (12 °C) environ, par ex. les ananas, les bananes, les agrumes, les concombres, les courgettes, les poivrons, les tomates et les pommes de terre.

### 6.4 Compartiment de contre-porte variable

Pour varier la position du compartiment de contre-porte variable selon les besoins, vous pouvez le déplacer ou le retirer, et le replacer à un autre endroit.



Vous pouvez retirer les rails du compartiment de contre-porte et les replacer à un autre endroit.

→ *"Démonter les rails du compartiment de contre-porte", Page 52*

### 6.5 Réserve à glaçons

Si la production de glaçons est activée, des glaçons sont

automatiquement entreposés dans la réserve à glaçons.

### AVIS

Le distributeur de glaçons peut être bloqué ou endommagé par des aliments ou des objets stockés dans le bac à glaçons.

- ▶ Ne stockez jamais d'aliments ou d'objets dans le bac à glaçons.

---

## 7 Opération de base

### 7.1 Mettre l'appareil sous tension

1. Raccordez l'appareil électriquement. → *Page 40*  
**Remarque :** Si l'appareil a été préalablement éteint à l'aide du bandeau de commande, maintenez la touche ① **3 sec.** enfoncée pendant 3 secondes.
  - ✓ L'appareil est maintenant prêt à fonctionner.
  - ✓ L'appareil commence à réfrigérer.
  - ✓ Une alarme sonore retentit, l'affichage de la température (congélateur) et "alarm" clignotent, car le congélateur n'est pas encore assez froid.
2. Éteignez l'alarme sonore avec **alarm**.
  - ✓ "alarm" s'éteint dès que la température réglée est atteinte.
3. Réglez la température souhaitée.  
→ *Page 44*

### 7.2 Remarques concernant le fonctionnement de l'appareil

- Lorsque vous avez allumé l'appareil, il peut s'écouler jusqu'à plusieurs heures avant que la température réglée ne soit atteinte.

Ne rangez aucun aliment avant que la température réglée ne soit atteinte.

- L'appareil chauffe légèrement les surfaces frontales temporairement. Cela prévient la condensation d'eau dans la zone du joint de porte.
- Lorsque vous refermez la porte, veillez à ce qu'elle ne soit pas bloquée par les aliments stockés.
- Lorsque vous refermez la porte, une dépression peut se produire. La porte est alors difficile à rouvrir. Patientez quelques instants jusqu'à ce que la dépression soit compensée.
- La température de l'appareil varie selon les conditions suivantes :
  - Fréquence des ouvertures de l'appareil
  - Charge
  - Température des aliments nouvellement stockés
  - Température ambiante
  - Exposition directe au soleil

### 7.3 Éteindre l'appareil

- ▶ Maintenez ① **3 sec.** appuyé pendant 3 secondes.

### 7.4 Régler la température

**Conseil :** L'appli Home Connect® vous permet de régler les températures qui ne sont pas affichées sur le bandeau de commande.

### Régler la température du compartiment congélation

- ▶ Appuyez sur la température souhaitée.  
La température recommandée dans le compartiment réfrigération est de 37 °F (3 °C).

## Régler la température du compartiment congélation

- ▶ Appuyez sur la température souhaitée.  
La température recommandée dans le compartiment congélation est de 0 °F (-18 °C).

---

## 8 Fonctions additionnelles

Découvrez les fonctions additionnelles dont votre appareil dispose. L'appli Home Connect® vous permet de régler d'autres fonctions supplémentaires.

### 8.1 Super-réfrigération

La fonction Super-réfrigération permet de refroidir au maximum le compartiment réfrigération. Activez la fonction Super-réfrigération avant de ranger de grandes quantités d'aliments dans le compartiment réfrigération.

**Remarque :** Lorsque la fonction Super-réfrigération est activée, il est possible que l'appareil fonctionne plus bruyamment.

#### Allumez la fonction Super-réfrigération

- ▶ Appuyez sur **super** (réfrigérateur).
- ✓ "super" (réfrigérateur) s'allume.

**Remarque :** Après environ 6 heures, l'appareil passe en mode de fonctionnement normal.

#### Désactivez le Super-réfrigération

- ▶ Appuyez sur **super** (réfrigérateur).

### 8.2 Super-congélation

Avec la fonction Super-congélation, le compartiment congélation refroidit au maximum.

Éteignez Super-congélation avant de stocker une plus grande quantité d'aliments.

**Remarque :** Lorsque la fonction Super-congélation est activée, il est possible que l'appareil fonctionne plus bruyamment.

#### Allumez la Super-congélation

- ▶ Appuyez sur **super** (congélateur).
- ✓ "super" (congélateur) s'allume.

**Remarque :** Après environ 54 heures, l'appareil passe en mode de fonctionnement normal.

#### Désactiver la Super-congélation

- ▶ Appuyez sur **super** (congélateur).

### 8.3 Mode Repos

Le mode repos désactive toutes les fonctions qui ne sont pas absolument nécessaires.

En mode repos, les fonctions suivantes sont désactivées :

- Super-réfrigération
- Super-congélation
- Alarme
- Éclairage intérieur
- Signaux sonores
- Messages sur le bandeau de commande

**Remarque :** En mode repos, l'éclairage du bandeau de commande est éteint. "super" (congélateur) s'allume en luminosité réduite.

#### Activer le mode repos

- ▶ Maintenez enfoncé **super** (congélateur) pendant 15 secondes jusqu'à l'émission d'un signal sonore.
- ✓ "super" (congélateur) s'allume.

**Remarque :** Au bout d'environ 80 heures, l'appareil revient en fonctionnement normal.

## Désactiver le mode repos

- ▶ Maintenez enfoncé **super** (congélateur) pendant 15 secondes jusqu'à l'émission d'un signal sonore.

---

## 9 Alarme

### 9.1 Alarme de porte

L'alarme de porte retentit lorsque la porte de l'appareil reste ouverte longtemps.

Une alarme sonore retentit et "alarm" s'allume.

### Désactiver l'alarme de porte

- ▶ Fermez la porte de l'appareil ou appuyez sur **alarm**.
- ✓ L'alarme sonore est désactivée.

### 9.2 Alarme de température

Si la température monte trop dans le compartiment congélation, l'alarme de température retentit.

Une alarme sonore retentit, la température réglée (congélateur) et "alarm" clignotent.

### MISE EN GARDE

Lors de la décongélation, les bactéries peuvent se multiplier et les aliments congelés peuvent s'abîmer.

- ▶ Ne remettez pas à congeler des produits alimentaires partiellement ou entièrement décongelés.
- ▶ Ne recongelez les aliments qu'après avoir les avoir fait cuire ou rôti.
- ▶ N'utilisez plus la durée de conservation dans son intégralité.

L'alarme de température peut s'enclencher dans les cas suivants :

- L'appareil est mis en route. Attendez que la température réglée soit atteinte avant de ranger les produits.
- Rangement de grandes quantités de produits alimentaires frais. Activez Super-congélation avant de ranger de grandes quantités de nourriture.
- Porte du compartiment congélation restée trop longtemps ouverte. Vérifiez si les produits surgelés ont été décongelés.

### Éteindre l'alarme de température

- ▶ Appuyez sur **alarm**.
- ✓ L'alarme sonore est désactivée.

---

## 10 Home Connect®

Cet appareil peut être mis en réseau. Branchez votre appareil à un appareil mobile pour en effectuer la commande via l'application Home Connect®.

Les services Home Connect® ne sont pas proposés dans tous les pays. La disponibilité de la fonction Home Connect® dépend de la disponibilité des services Home Connect® dans votre pays. Vous trouverez de plus amples informations à ce sujet à l'adresse : [www.home-connect.com](http://www.home-connect.com). Pour utiliser Home Connect®, configurez d'abord la connexion à votre réseau domestique WLAN (Wi-Fi<sup>1</sup>) et à l'application Home Connect®.

---

<sup>1</sup> Wi-Fi est une marque déposée de la société Wi-Fi Alliance.

Attendez au moins 2 minutes après la mise en marche de l'appareil, jusqu'à ce que l'initialisation interne de l'appareil soit achevée. Réglez ensuite d'abord Home Connect®. L'application Home Connect® vous guide tout au long du processus de connexion. Suivez les directives et observez les consignes de l'application Home Connect®.

### Remarques

- Observez les consignes de sécurité de la présente notice d'utilisation et assurez-vous qu'elles sont également respectées si vous utilisez l'appareil avec l'application Home Connect®.  
→ "Sécurité", Page 32
- Les commandes sur l'appareil même ont toujours priorité. Pendant ce temps, la commande via l'application Home Connect® n'est pas possible.

## 10.1 Configurer Home Connect®

**Exigence :** L'appareil a accès au réseau domestique WLAN (Wi-Fi) sur le lieu d'installation.

1. Scanner le code QR ci-après.



Le code QR vous permet d'installer l'appli Home Connect® et de connecter votre appareil.

2. Suivez les instructions de l'application Home Connect®.

## 10.2 Activer la connexion au réseau domestique WLAN (Wi-Fi)

- ▶ Appuyer sur .

## 10.3 Désactiver la connexion au réseau domestique WLAN (Wi-Fi)

- ▶ Appuyer sur .



## 10.4 Installer la mise à jour du logiciel Home Connect®

**Remarque :** Si une mise à jour du logiciel Home Connect® est disponible, un message apparaît dans l'appli Home Connect®. Vous trouverez la version actuelle du logiciel dans l'appli Home Connect® sous les informations relatives à l'appareil.

- ▶ Pour installer la mise à jour du logiciel Home Connect®, suivez les instructions de l'appli Home Connect®.
- ✓ Pendant l'installation, le bandeau de commande est partiellement verrouillé.

## 10.5 Réinitialiser les réglages Home Connect®

Si vous rencontrez des problèmes de connexion de votre appareil à votre réseau domestique WLAN (Wi-Fi) ou si vous souhaitez enregistrer votre appareil dans un autre réseau domestique WLAN (Wi-Fi), vous pouvez réinitialiser les réglages de Home Connect®.

- ▶ Maintenez enfoncé  pendant 6 secondes jusqu'à ce que  s'éteigne.
- ✓ Les réglages de Home Connect® sont réinitialisés.

## 10.6 Diagnostic à Distance

Le service à la clientèle peut accéder à votre appareil à l'aide de Diagnostic à Distance si vous le lui demandez, à condition que votre

appareil soit connecté au serveur Home Connect® et que Diagnostic à Distance soit disponible pour votre appareil et votre pays. Pour des informations sur la disponibilité de Diagnostic à Distance dans votre pays, consultez la section Service/ Soutien de votre site Web local : [www.home-connect.com](http://www.home-connect.com).

Veillez noter que si Diagnostic à Distance peut aider à résoudre certains problèmes, il peut arriver qu'une visite sur place soit nécessaire si le problème ne peut être résolu à distance.

## 10.7 Protection des données

Observez les conseils de protection des données.

Lors de la première connexion de votre appareil à un réseau domestique relié à Internet, votre appareil transmet les catégories de données suivantes au serveur Home Connect® (premier enregistrement) :

- Code d'appareil univoque (constitué de clés d'appareil ainsi que de l'adresse MAC du module de communication Wi-Fi intégré).
- Certificat de sécurité du module de communication Wi-Fi (pour la protection des informations de la connexion).
- La version actuelle du logiciel et du matériel de votre électroménager.
- État d'une précédente restauration éventuelle des réglages d'usine.

Ce premier enregistrement prépare l'utilisation des fonctions Home Connect® et s'avère uniquement nécessaire au moment où vous souhaitez utiliser les fonctions Home Connect® pour la première fois.

**Remarque :** Veuillez noter que les fonctions Home Connect® ne sont utilisables qu'avec l'application Home Connect®. Vous pouvez consulter les informations sur la protection des données dans l'appli Home Connect®.

---

## 11 Compartiment réfrigération

Vous pouvez entreposer des produits laitiers, des œufs, des plats cuisinés, des pâtisseries, des conserves ouvertes et des fromages à pâte dure dans le compartiment fraîcheur. La température est réglable de 42 °F (1 °C) à 34 °F (6 °C).

Le stockage au froid vous permet aussi de ranger des denrées facilement périssables à court et moyen terme. Plus la température choisie est basse, plus les aliments restent frais plus longtemps.

### 11.1 Conseils pour ranger des produits alimentaires dans le compartiment réfrigération

- Stockez uniquement des aliments frais et intacts.
- Conservez les aliments dans un récipient hermétique ou couvert.
- Pour ne pas entraver la circulation de l'air et pour éviter que les aliments ne gèlent, ne placez pas les aliments en contact direct avec la paroi arrière.
- Laissez les boissons et aliments chauds refroidir avant de les ranger.
- Respectez la date de péremption ou la date limite d'utilisation indiquée par le fabricant.

## 11.2 Zones froides dans le compartiment réfrigération

L'air circulant dans le compartiment réfrigération engendre des zones différemment froides.

### Zone la plus froide

La zone la plus froide se trouve dans le bac de rangement.

**Conseil :** Rangez les aliments périssables dans la zone la plus froide, par ex. le poisson, la charcuterie et la viande.

### Zone la moins froide

La zone la moins froide se trouve complètement en haut, contre la porte.

**Conseil :** Rangez-y par ex. les fromages à pâte dure et le beurre. Le fromage peut ainsi continuer à développer son arôme, tandis que le beurre reste facile à tartiner.

---

## 12 Compartiment congélation

Dans le compartiment congélation, vous pouvez stocker des aliments congelés, congeler des aliments et confectionner des glaçons.

La température est réglable de 6 °F (-14 °C) à -7 °F (-22 °C).

La température de stockage à long terme des aliments doit se situer à 0 °F (-18 °C) ou encore plus bas.

La congélation vous permet de stocker les aliments facilement périssables à long terme. Les basses températures ralentissent ou stoppent la l'altération des aliments.

## 12.1 Conseils pour ranger des aliments dans le compartiment congélation

- Conservez les aliments dans des emballages hermétiques.
- Veillez à ce que les aliments à congeler n'entrent pas en contact avec d'autres déjà congelés.
- Répartissez les produits alimentaires sur une grande surface dans les bacs à produits congelés.
- Pour que l'air puisse circuler librement dans l'appareil, introduisez le bac à produits congelés jusqu'en butée.

## 12.2 Conseils pour congeler des aliments frais

- Congelez uniquement des aliments frais et d'un aspect impeccable.
- Congelez les aliments en portions.
- Les plats cuisinés sont plus appropriés que les aliments crus comestibles.
- Lavez, hachez et blanchissez les légumes avant de les congeler.
- Avant la congélation, lavez les fruits, retirez les pépins et épluchez les fruits si nécessaire, ajoutez du sucre ou une solution d'acide ascorbique si nécessaire.
- Les produits de boulangerie, le poisson et les fruits de mer, la viande, le gibier et la volaille, les œufs sans coquille, le fromage, le beurre, le caillé, les plats préparés et les restes se prêtent à la congélation.
- La laitue, les radis, les œufs en coquille, les raisins, les pommes et poires crues, le yaourt, la crème aigre, la crème fraîche et la mayonnaise ne se prêtent pas à la congélation.

## Emballer les surgelés

Un matériau d'emballage approprié et le bon type d'emballage sont essentiels pour maintenir la qualité du produit et éviter les brûlures de congélation.

1. Placez les aliments dans l'emballage.
2. Pressez pour chasser l'air.
3. Fermez hermétiquement l'emballage afin que les aliments ne perdent pas leur saveur ou ne se dessèchent pas.
4. Indiquez sur l'emballage le contenu et la date de congélation.

## 12.3 Méthodes de décongélation pour aliments congelés

### MISE EN GARDE

Lors de la décongélation, les bactéries peuvent se multiplier et les aliments congelés peuvent s'abîmer.

- ▶ Ne remettez pas à congeler des produits alimentaires partiellement ou entièrement décongelés.
- ▶ Ne recongelez les aliments qu'après avoir les avoir fait cuire ou rôti.
- ▶ N'utilisez plus la durée de conservation dans son intégralité.
- Décongelez les aliments d'origine animale dans le compartiment réfrigération, par exemple le poisson, la viande, le fromage et le lait caillé.
- Décongelez le pain à température ambiante.
- Préparez les aliments au micro-ondes, au four ou sur la table de cuisson pour une consommation immédiate.

---

## 13 Dégivrer

### 13.1 Dégivrer le compartiment congélation

Grâce au système « NoFrost » entièrement automatique, le compartiment congélation ne se couvre pas de givre. Aucun dégivrage n'est nécessaire. Aucun dégivrage n'est nécessaire.

---

## 14 Nettoyage et entretien

**Remarque :** La déclaration de garantie limitée du produit couvre les défauts de matériaux et de fabrication. Le nettoyage et l'entretien ne sont pas couverts par la garantie et sont payants. Pour plus de détails, voir la déclaration de garantie limitée du produit.

### 14.1 Préparer l'appareil pour le nettoyage

1. Éteindre l'appareil. → *Page 44*
2. Débranchez l'appareil du réseau électrique.  
Retirez la fiche du cordon d'alimentation secteur ou désactivez le fusible dans la boîte à fusibles.
3. Retirez tous les aliments de l'appareil et rangez-les dans un endroit frais.  
Si possible, placez des accumulateurs de froid sur les aliments.
4. Retirez toutes les pièces d'équipement et les accessoires de l'appareil. → *Page 51*
5. Retirez les rails du compartiment dans la contreporte. → *Page 52*

## 14.2 Nettoyer l'appareil

### ⚠ AVERTISSEMENT

L'humidité qui pénètre peut occasionner une électrocution.

- ▶ N'utilisez pas de nettoyeur haute pression ou de nettoyeur à vapeur pour nettoyer l'appareil.
- ▶ N'utilisez pas l'appareil avec les mains humides.

### AVIS

Des produits de nettoyage inappropriés risquent d'endommager la surface de l'appareil.

- ▶ Ne pas utiliser de tampon abrasif ni d'éponge en laine d'acier.
- ▶ Ne pas utiliser de produits nettoyants abrasifs ou agressifs.
- ▶ N'utilisez pas de produits de nettoyage fortement alcoolisés,
- ▶ N'utilisez pas de nettoyant pour acier inox sur le côté extérieur de l'appareil.

Si vous nettoyez les pièces d'équipement et les accessoires au lave-vaisselle, ceux-ci risquent de se déformer ou de déteindre.

- ▶ Ne nettoyez jamais les équipements et accessoires au lave-vaisselle.
1. Préparez l'appareil pour le nettoyage. → *Page 50*
  2. Nettoyez l'extérieur et l'intérieur de l'appareil, les pièces d'équipement, les accessoires, les parties de l'appareil et les joints de porte avec une lavette, de l'eau tiède et du produit à vaisselle présentant un pH neutre.
  3. Séchez ensuite minutieusement avec un chiffon doux et sec.
  4. Insérez les pièces d'équipement et montez les parties amovibles de l'appareil.

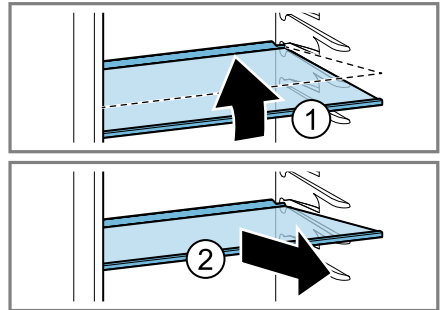
5. Raccordez l'appareil électriquement. → *Page 10*
6. Rangez les aliments.

## 14.3 Retirer les pièces d'équipement

Si vous souhaitez nettoyer soigneusement les pièces d'équipement, retirez celles-ci de votre appareil.

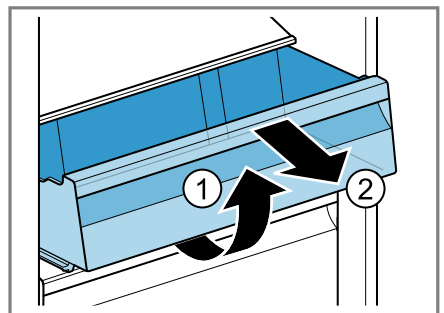
### Retirer la clayette

- ▶ Soulevez la clayette vers l'avant ①, tirez-la et retirez-la ②.



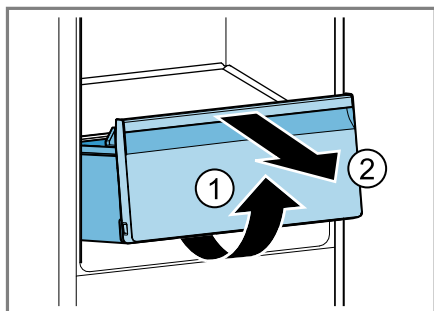
### Retirer le bac de rangement

1. Extrayez le bac de rangement jusqu'en butée.
2. Soulevez le bac de rangement à l'avant ① et retirez-le ②.



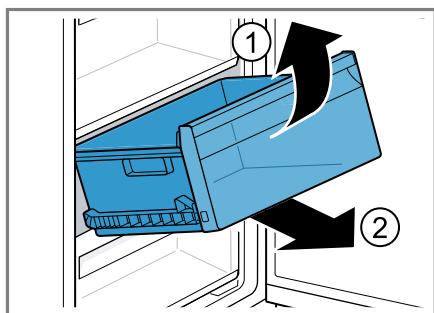
### Retirer le bac à fruits et légumes

1. Extrayez le bac à fruits et légumes jusqu'en butée.
2. Soulevez le bac à fruits et légumes vers l'avant ① et retirez-le ②.



### Retirer le bac à produits congelés

1. Extrayez le bac à aliments congelés jusqu'en butée.
2. Soulevez l'avant du bac à produits congelés ① et retirez-le ②.

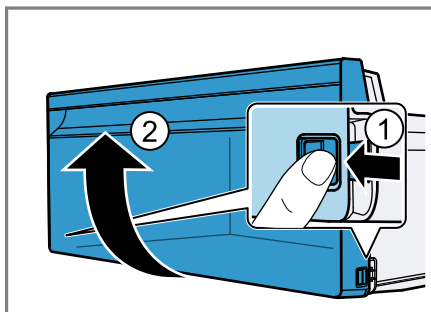


### Retirer la façade du bac

Vous pouvez retirer la façade du bac à fruits et légumes et du bac à aliments surgelés pour faciliter le nettoyage.

- Appuyez sur les crochets de fixation latéraux du bac ① et retirez

la façade du bac par un mouvement de rotation ②.



### Retirer la réserve à glaçons

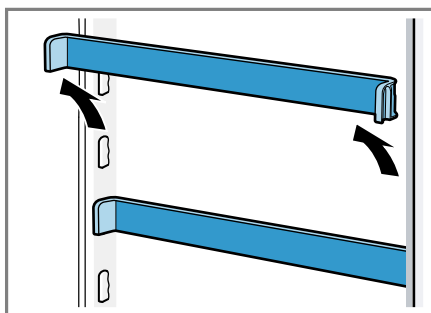
1. Tirez le récipient plat pour aliments congelés aussi loin que possible.
2. Soulevez la réserve à glaçons vers l'avant et retirez-la.

## 14.4 Démontez les pièces de l'appareil

Si vous souhaitez effectuer un nettoyage complet de votre appareil, vous pouvez retirer certaines pièces de votre appareil.

### Démontez les rails du compartiment de contre-porte

- Soulevez les rails du compartiment dans la contreporte et retirez-les.




## 15 Dépannage


Vous pouvez éliminer vous-même les défauts mineurs de votre appareil. Veuillez lire les informations de dépannage avant de contacter le service à la clientèle. Cela peut éviter des frais de réparation inutiles.

### **⚠ AVERTISSEMENT**

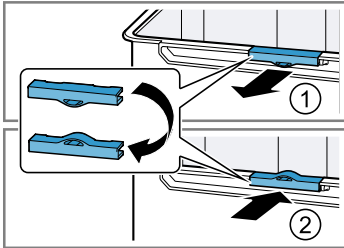

Pour éviter tout risque de blessure dû à des réparations incorrectes, respectez les points suivants.

- ▶ Seuls des techniciens qualifiés ou des prestataires de services agréés peuvent effectuer des réparations.
- ▶ Seules des pièces de rechange d'origine peuvent être utilisées pour réparer l'appareil.
- ▶ Afin d'écartier tout danger, quand le cordon d'alimentation de cet appareil est endommagé, seul le fabricant, son service à la clientèle ou toute autre personne de qualification équivalente est habilité à le faire.

Défaut	Cause et dépannage
L'appareil ne réfrigère pas, les affichages et l'éclairage sont allumés.	<p>L'appareil se trouve sur le mode Exposition.</p> <ol style="list-style-type: none"> <li>1. Éteignez l'appareil. → <i>Page 44</i></li> <li>2. Patientez 2 minutes.</li> <li>3. Rallumez l'appareil. → <i>Page 44</i></li> <li>4. Patientez 1 minute, puis maintenez <b>super</b> (réfrigérateur) enfoncé jusqu'à ce que 4 signaux sonores retentissent.</li> <li>5. Vérifiez après un court laps de temps si l'appareil réfrigère.</li> </ol>
L'éclairage par LED ne fonctionne pas.	<p>Ce problème peut avoir de nombreuses causes.</p> <ul style="list-style-type: none"> <li>▶ Appelez le service après-vente.</li> </ul> <p>→ "<i>Service à la clientèle</i>", <i>Page 58</i></p>
Le groupe frigorifique s'enclenche plus souvent et plus longtemps.	<p>L'appareil a été ouvert fréquemment.</p> <ul style="list-style-type: none"> <li>▶ N'ouvrez pas la porte de l'appareil inutilement.</li> </ul> <p>Les orifices de ventilation extérieurs sont recouverts.</p> <ul style="list-style-type: none"> <li>▶ Retirez les obstacles situés devant les orifices de ventilation extérieurs.</li> </ul> <p>Il ne s'agit pas d'un défaut. Les appareils frigorifiques modernes se mettent en marche plus souvent et ont différents niveaux de puissance afin de refroidir plus efficacement.</p>  <ul style="list-style-type: none"> <li>▶ Retirez les obstacles situés devant les orifices de ventilation extérieurs.</li> </ul>

Défaut	Cause et dépannage
Le groupe frigorifique s'enclenche plus souvent et plus longtemps.	<ul style="list-style-type: none"> <li>▶ Installez l'appareil aussi loin que possible des radiateurs, des cuisinières et des autres sources de chaleur. Évitez toute exposition prolongée de l'appareil aux rayons directs du soleil.</li> <li>▶ N'ouvrez la porte de l'appareil que le temps nécessaire.</li> <li>▶ Laissez d'abord les boissons et aliments chauds refroidir avant de les ranger.</li> </ul>
Une couche de givre se forme sur la paroi arrière du compartiment réfrigération.	<p>Il ne s'agit pas d'un défaut. Les appareils frigorifiques modernes assurent une température uniforme dans le compartiment réfrigération. La paroi arrière du compartiment réfrigération est régulièrement décongelée automatiquement.</p>  <ul style="list-style-type: none"> <li>▶ N'ouvrez la porte de l'appareil que le temps nécessaire.</li> <li>▶ Emballez les aliments hermétiquement ou couvrez-les.</li> <li>▶ Laissez d'abord les boissons et aliments chauds refroidir avant de les ranger.</li> <li>▶ Laissez toujours un peu d'espace entre les aliments et les parois intérieures.</li> </ul>
Les parois latérales de l'appareil sont chaudes.	<p>Il ne s'agit pas d'un défaut. Les tuyaux coulent dans les parois latérales et chauffent pendant le processus de refroidissement. La chaleur n'abîme pas les meubles qui touchent l'appareil. Aucune action nécessaire.</p>
Home Connect® ne fonctionne pas correctement.	<p>Ce problème peut avoir de nombreuses causes.</p> <ul style="list-style-type: none"> <li>▶ Rendez-vous sur <a href="http://www.home-connect.com">www.home-connect.com</a>.</li> </ul>
Une alarme sonore retentit et "alarm" s'allume.	<p>Ce problème peut avoir de nombreuses causes.</p> <ul style="list-style-type: none"> <li>▶ Appuyez sur <b>alarm</b>.</li> <li>✓ L'alarme s'éteint.</li> </ul> <p>La porte de l'appareil est ouverte.</p> <ul style="list-style-type: none"> <li>▶ Fermez la porte de l'appareil.</li> </ul>
Tous les affichages de température et "alarm" s'allument.	<p>Un capteur est défectueux.</p> <ul style="list-style-type: none"> <li>▶ Appelez le service après-vente.</li> </ul> <p>→ "Service à la clientèle", Page 58</p>

<b>Défaut</b>	<b>Cause et dépannage</b>
Une alarme sonore retentit, la température réglée (congélateur) et "alarm" clignotent.	<p>Ce problème peut avoir de nombreuses causes.</p> <ul style="list-style-type: none"> <li>▶ Appuyez sur <b>alarm</b>.</li> <li>✓ L'alarme s'éteint.</li> </ul> <hr/> <p>La porte du congélateur est ouverte.</p> <ul style="list-style-type: none"> <li>▶ Fermez la porte du congélateur.</li> </ul> <hr/> <p>Les orifices de ventilation extérieurs sont recouverts.</p> <ul style="list-style-type: none"> <li>▶ Retirez les obstacles situés devant les orifices de ventilation extérieurs.</li> </ul> <hr/> <p>L'appareil est rempli de grandes quantités de produits alimentaires frais.</p> <ul style="list-style-type: none"> <li>▶ Ne dépassez pas la capacité de congélation.</li> </ul>
La température réglée n'est pas atteinte. Le dégivrage entièrement automatique ne fonctionne plus.	<p>La porte du compartiment congélation est restée ouverte pendant longtemps. L'évaporateur (générateur de froid) du système NoFrost est très fortement givré.</p> <p><b>Exigence :</b> Les aliments congelés sont stockés dans un endroit frais et sont bien isolés.</p> <ol style="list-style-type: none"> <li>1. Éteignez l'appareil. → <i>Page 44</i></li> <li>2. Débranchez l'appareil du secteur. Retirez la fiche du cordon d'alimentation secteur ou désactivez le fusible dans le boîtier à fusibles.</li> <li>3. Appelez le service après-vente. → <i>"Service à la clientèle", Page 58</i></li> </ol>
La température dévie fortement par rapport au réglage.	<p>Ce problème peut avoir de nombreuses causes.</p> <ol style="list-style-type: none"> <li>1. Éteignez l'appareil. → <i>Page 44</i></li> <li>2. Allumez à nouveau l'appareil après env. 5 minutes. → <i>Page 44</i></li> </ol> <ul style="list-style-type: none"> <li>▶ Si la température est trop élevée, vérifiez-la à nouveau au bout de quelques heures.</li> <li>▶ Si la température est trop basse, vérifiez-la à nouveau le jour suivant.</li> </ul>
De la condensation se forme à la surface de l'appareil et sur les clayettes à l'intérieur de l'appareil.	<p>L'eau contenue dans l'air chaud et humide se condense sur les surfaces plus froides de l'appareil.</p> <ol style="list-style-type: none"> <li>1. Essuyez l'eau de condensation avec un chiffon sec et doux.</li> <li>2. Ouvrez l'appareil le plus brièvement possible.</li> <li>3. Veillez à ce que l'appareil soit toujours correctement fermé.</li> </ol>
De l'eau de condensation s'accumule souvent dans le bac à fruits et légumes.	<p>Suivant la quantité et la nature des produits stockés, de l'eau peut se condenser dans le bac à fruits et légumes.</p> <ol style="list-style-type: none"> <li>1. Retirer le bac à fruits et légumes. → <i>Page 52</i></li> </ol>

Défaut	Cause et dépannage
De l'eau de condensation s'accumule souvent dans le bac à fruits et légumes.	<p>2. Retirez les clips de ventilation ① et insérez-les inversés ②.</p> 
L'appareil vrombit, fait des bulles, des bourdonnements, des gargouillis, des cliquetis ou des claquements.	<p>Il ne s'agit pas d'un défaut. Un moteur tourne, par ex. groupe frigorifique, ventilateur. Du fluide frigorigène circule dans les tuyaux. Le moteur, les interrupteurs ou les électrovannes s'allument ou s'éteignent. Le dégivrage automatique est en cours. Aucune action nécessaire.</p>
L'appareil émet des bruits.	<p>L'appareil ne repose pas d'aplomb.</p> <ul style="list-style-type: none"> <li>▶ Nivelez l'appareil à l'aide d'un niveau à bulle et des pieds à vis.</li> </ul>
	<p>L'appareil n'est pas posé de manière indépendante.</p> <ul style="list-style-type: none"> <li>▶ Respectez les distances minimales de l'appareil.</li> </ul>
	<p>Les pièces d'équipement vacillent ou se coincent.</p> <ul style="list-style-type: none"> <li>▶ Vérifiez les pièces d'équipement amovibles et remettez-les éventuellement en place correctement.</li> </ul>
	<p>Des bouteilles ou récipients se touchent.</p> <ul style="list-style-type: none"> <li>▶ Écartez les récipients ou bouteilles les uns des autres.</li> </ul>
	<p>La fonction Super-congélation est activée. Aucune action nécessaire.</p>

## 15.1 Panne de courant

En cas de panne de courant, la température à l'intérieur de l'appareil augmente, ce qui raccourcit la durée de conservation et réduit la qualité des aliments congelés.

### Remarques

- Ouvrez l'appareil le moins possible en cas de panne de courant et ne stockez pas d'autres aliments.
- Vérifiez la qualité des aliments immédiatement après la panne de courant.
  - Jetez les aliments congelés qui sont décongelés et dont la température est supérieure à 41 °F (5 °C).
  - Faites bouillir ou frire des aliments congelés légèrement décongelés et consommez-les ou recongelez-les.

## 15.2 Effectuer l'auto-test de l'appareil

Votre appareil dispose d'un autotest qui indique les dysfonctionnements auxquels votre service après-vente peut remédier.

1. Éteindre l'appareil. → *Page 44*
2. Débranchez l'appareil du réseau électrique.  
Retirez la fiche du cordon d'alimentation secteur ou désactivez le fusible dans la boîte à fusibles.
3. Raccordez l'appareil à l'alimentation électrique après 5 minutes. → *Page 10*
4. Mettez l'appareil sous tension. → *Page 44*
5. Une minute après la mise sous tension, maintenez enfoncé **super** (congélateur) pendant 3 à 5 secondes, jusqu'à ce qu'un signal sonore retentisse.
- ✓ L'auto-test de l'appareil démarre lorsque les affichages de la température s'allument les uns après les autres.
- ✓ Si, à la fin de l'auto-test, 2 signaux sonores retentissent et que l'affichage de la température indique la température réglée, cela signifie que les capteurs de température de votre appareil fonctionnent correctement. L'appareil revient en fonctionnement normal.
- ✓ Si vous entendez 5 signaux sonores à la fin de l'autotest de l'appareil et que les LED d'affichage de la température s'allument avec une luminosité différente, contactez le service après-vente. Les LEDs fournissent des informations sur la panne au service après-vente.

6. Appuyer sur##CP0458SY## pour que l'appareil passe en fonction normale.
- ✓ Super-réfrigération est activé et "super" (réfrigérateur) s'allume.
7. Désactiver Super-réfrigération. → *Page 45*
8. Réglez la température. → *Page 44*

---

## 16 Entreposage et mise au rebut

### 16.1 Mettre l'appareil hors service

1. Éteindre l'appareil. → *Page 44*
2. Débranchez l'appareil du réseau électrique.  
Retirez la fiche du cordon d'alimentation secteur ou désactivez le fusible dans la boîte à fusibles.
3. Retirez tous les aliments.
4. Nettoyez l'appareil. → *Page 51*
5. **AVIS:** Des objets coincés entre la porte et la boîtier risque d'endommager la charnière de porte.
  - ▶ Ouvrez la porte jusqu'à ce qu'elle reste ouverte d'elle-même.
  - ▶ Ne coinciez aucun objet entre la porte et le boîtier.
 Afin de garantir la ventilation de l'espace intérieur, laissez l'appareil ouvert.

### 16.2 Éliminer un appareil usagé

L'élimination dans le respect de l'environnement permet de récupérer de précieuses matières premières.

## **⚠ AVERTISSEMENT**

Les enfants risquent de s'enfermer dans l'appareil et de mettre leur vie en danger.

- ▶ Retirez les portes de l'appareil.
- ▶ Pour compliquer la pénétration des enfants dans l'appareil, ne retirez pas les clayettes et les bacs.
- ▶ Éloignez les enfants de l'appareil qui a cessé de servir.

## **⚠ AVERTISSEMENT**

En cas d'endommagement des tuyaux, du fluide frigorigène inflammable et des gaz nocifs peuvent s'échapper et s'enflammer.

- ▶ Veillez à ne pas endommager les tubulures du circuit frigorifique, ni l'isolant.
1. Débranchez la fiche du secteur.
  2. Coupez le câble de raccordement secteur.
  3. Retirez les portes de l'appareil.
  4. Éliminez l'appareil dans le respect de l'environnement.  
Pour connaître les circuits d'élimination actuels, veuillez vous adresser à votre revendeur ou à votre administration municipale.

---

## **17 Service à la clientèle**

Lors de toute réparation réalisée dans le cadre de la garantie, nous nous assurons que votre appareil est réparé avec des pièces de rechange d'origine par un technicien dûment formé et agréé. Nous utilisons exclusivement des pièces de rechange d'origine lors des réparations.

Vous pouvez obtenir auprès de notre service après-vente des pièces détachées d'origine relatives au fonctionnement de l'appareil et

pouvant être stockées jusqu'à 15 ans après la commercialisation de votre appareil.

Veillez contacter notre service clientèle pour obtenir d'autres informations à ce sujet.

Pour plus d'informations sur la durée et les conditions de la garantie dans votre pays, consultez nos modalités de garantie auprès de votre détaillant ou sur notre site Web.

USA:

1-800-944-2904

[www.bosch-home.com/us/owner-support/get-support](http://www.bosch-home.com/us/owner-support/get-support)

[www.bosch-home.com/us/shop](http://www.bosch-home.com/us/shop)

CA:

1-800-944-2904

[www.bosch-home.ca/en/service/get-support](http://www.bosch-home.ca/en/service/get-support)

[www.bosch-home.ca/en/service/cleaners-and-accessories](http://www.bosch-home.ca/en/service/cleaners-and-accessories)

### **Résidents du Québec :**

Vous trouverez des renseignements sur la disponibilité des pièces de rechange, des services de réparation et des renseignements nécessaires à l'entretien ou à la réparation de l'appareil à l'adresse suivante :  
<https://www.bosch-home.ca/fr/service/residents-du-qc>



 **BOSCH**

**3**

Vous trouverez également de l'aide pour contacter Home Connect® à l'adresse suivante :

[www.home-connect.com/us/en/help-support/set-up](http://www.home-connect.com/us/en/help-support/set-up)

## 17.1 Numéro de modèle (E-Nr.), numéro de fabrication (FD) et numéro de comptage (Z-Nr.)

Si vous contactez le service à la clientèle, indiquez le numéro de modèle (E-Nr.) le numéro de fabrication (FD) et le numéro de série (Z-Nr.) indiqués sur la plaque signalétique de l'appareil.

→ "Appareil", Fig. **1** / **5** Page 42

Pour retrouver rapidement les données de votre appareil et le numéro de téléphone du service à la clientèle, n'hésitez pas à les recopier ailleurs.

---

## 18 Données techniques

La plaque signalétique mentionne le fluide frigorigène, le volume net ainsi que d'autres données techniques.

→ "Appareil", Fig. **1** / **5** Page 42

### 18.1 Informations sur le logiciel libre

Ce produit contient des composants logiciels dont la licence est accordée par les détenteurs des droits d'auteur en tant que logiciels libres ou open source.

Les informations de licence correspondantes sont énoncées sur l'électroménager. Il est également possible d'accéder aux informations de licence via l'application Home Connect®; « Profil -> Consignes légales -> Informations de licence ». <sup>1</sup> Vous pouvez également télécharger les informations de licence sur le site Web du produit de marque. (Veuillez rechercher votre

modèle d'appareil et la documentation connexe sur le site Web du produit.) Vous pouvez également demander les informations nécessaires par courriel à l'adresse [ossrequest@bshg.com](mailto:ossrequest@bshg.com) ou par courrier à l'adresse BSH Hausgeräte GmbH, Carl-Wery-Str. 34, D-81739 München.

Le code source concerné sera mis à votre disposition sur demande.

Veuillez envoyer votre demande par courriel à l'adresse [ossrequest@bshg.com](mailto:ossrequest@bshg.com) ou par courrier à l'adresse BSH Hausgeräte GmbH, Carl-Wery-Str. 34, D-81739 München.

Objet : „OSSREQUEST“

Les coûts de traitement de votre demande vous seront facturés. Cette offre est valide pour une durée de trois ans à compter de la date d'achat ou du moins pour la période durant laquelle nous offrons la prise en charge et des pièces de rechange pour l'appareil correspondant.

---

<sup>1</sup> selon l'équipement de l'appareil

---

## Recursos y ayuda en línea en español

Muchos manuales están disponibles en línea en inglés, francés y español. Para acceder a manuales de modelos específicos y otros documentos en español:

1. Visite [www.bosch-home.com/us/owner-support/owner-manuals](http://www.bosch-home.com/us/owner-support/owner-manuals) o escanee el código QR.



2. Introduzca el número de producto (E-Nr.) que encontrará en la placa de características del aparato.

3. Seleccione o descargue el manual o documento que desee.









## Register your appliance to enjoy customized benefits.

Thank you for being a Bosch customer!  
Simply create a MyBosch account, then register your appliance.  
You'll find a variety of customized information in MyBosch such as:

- **Discounts for filters, cleaners, accessories & parts**
- **Easy access to manuals & appliance specifications**
- **Easy access to part lists**
- **Customized offer for the Bosch Appliance Service Plan (sent by mail after appliance registration)**

Register here:

[www.bosch-home.com/us/owner-support/mybosch](http://www.bosch-home.com/us/owner-support/mybosch)



## Looking for help? You'll find it here.

No matter what, no matter when: Bosch is here to support you.  
We're here to assist with usage instructions, cleaning tips, accessories & parts, troubleshooting, and repairs.  
Find online resources such as FAQs, how-to-videos, manuals, warranties and authorized Bosch servicers at:

[www.bosch-home.com/us/owner-support/get-support](http://www.bosch-home.com/us/owner-support/get-support)

Contact us:

**Please have your model Number (E-Nr) ready when contacting us.**

1-800-944-2904

[www.bosch-home.com/us/owner-support/contact-us](http://www.bosch-home.com/us/owner-support/contact-us)

### **BSH Home Appliances Corporation**

1901 Main Street, Suite 600

Irvine, CA 92614

USA

[www.bosch-home.com](http://www.bosch-home.com)

1-800-944-2904

© 2026 BSH Home Appliances Corporation



**9001690635** (060622)

en-us, fr-ca