



BOSCH



Register your
appliance and join
the Bosch family of perks:
Enregistrez votre
appareil et profitez des
avantages Bosch :
registerbosch.com

Tumble dryer

WQB245AXUC

[en-us] User manual and installation instructions



You can find additional information and explanations online.
Scan the QR code on the title page.



Table of contents

1 Safety	4	7 Buttons	21
1.1 Safety definitions	4	8 Programs	22
1.2 General information	4	8.1 Automatic programs	22
1.3 Intended use	4	8.2 Timed programs	23
1.4 Restrictive Use	5	8.3 Other programs	24
1.5 Grounding instructions	5	9 Accessories	24
1.6 Safe installation	5	10 Laundry	25
1.7 Safe use	7	10.1 Preparing the laundry	25
1.8 Safe cleaning and maintenance	9	11 Basic Operation	25
1.9 State of California Proposition 65 Warnings	10	11.1 Switching on the appliance ..	25
2 Preventing material damage	11	11.2 Setting a program	26
3 Environmental protection and energy-saving	11	11.3 Saving the program settings	26
3.1 Disposal of packaging	11	11.4 Opening the door	26
3.2 Saving energy	11	11.5 Loading laundry	26
3.3 Energy-saving mode	12	11.6 Starting the program	26
4 Installation and connection	12	11.7 Adding laundry	27
4.1 Unpacking the appliance	12	11.8 Terminating the program	27
4.2 Included in delivery	12	11.9 Removing the laundry	27
4.3 Requirements for the installation location	12	11.10 Put the appliance into standby mode	27
4.4 Installation types	13	11.11 Lint screen	27
4.5 Water outlet hose	15	11.12 Condensation container	28
4.6 Connecting the condensation container	16	12 Dryness level	29
4.7 Aligning the appliance	16	12.1 Changing the dryness level ..	29
4.8 Reversing the door	17	12.2 Adjusting the dryness level ...	29
4.9 Connecting the appliance to the electricity supply	17	13 Control panel lock	30
5 Familiarizing yourself with your appliance	18	13.1 Activating the control panel lock	30
5.1 Appliance	18	13.2 Deactivating the control panel lock	30
5.2 Control panel	19	14 Crease-removal function	30
5.3 Operating logic	19	14.1 Starting a program with the crease-removal function	30
6 Display	19	14.2 Filling the water tank	30
		15 Home Connect®	31

15.1 Setting up Home Connect®	31	22.1 Information regarding Free and Open Source Software ..	43
15.2 Deactivating Wi-Fi on the appliance	32		
15.3 Activating Wi-Fi on the appliance	32		
15.4 Installing a software update	32		
15.5 Resetting the appliance network settings	32		
15.6 Remote start	32		
15.7 Intelligent program recommendation	33		
15.8 Remote Diagnostics	33		
15.9 Data Protection	33		
16 Basic settings	34		
16.1 Overview of the basic settings	34		
16.2 Changing the basic settings	34		
17 Appliance care	34		
17.1 Preparing for the appliance care program	35		
17.2 Running the basic appliance care program	35		
17.3 Running the intensive appliance care program	35		
18 Cleaning and maintenance	36		
18.1 Moisture sensor	36		
18.2 Condensation container filter	37		
19 Troubleshooting	37		
20 Transportation, storage and disposal	41		
20.1 Disposal of your old appliance	41		
21 Customer Service	41		
21.1 Model number (E-Nr.), production number (FD) and consecutive numbering (Z-Nr.)	42		
22 Technical specifications	42		



IMPORTANT SAFETY INSTRUCTIONS

READ AND SAVE THESE INSTRUCTIONS

Read all of the instructions carefully before using the appliance. In order to reduce the risk of fire, electric shocks and personal injuries when using the appliance, follow the basic safety precautions, including the following safety instructions.

1.1 Safety definitions

Here you can find explanations of the safety signal words used in this manual.

WARNING

This indicates that death or serious injuries may occur as a result of non-observance of this warning.

CAUTION

This indicates that minor or moderate injuries may occur as a result of non-observance of this warning.

NOTICE

This indicates that damage to the appliance or property may occur as a result of non-compliance with this advisory.

Note: This alerts you to important information.

1.2 General information



- Read this manual carefully.
- Keep the manual and the product information in a safe place for future reference or for the next owner.
- Do not connect the appliance if it has been damaged in transit.

1.3 Intended use

Only a licensed professional may connect appliances without plugs. The manufacturer is not responsible for damage caused by incorrect connections. An incorrect connection is not covered by the Statement of Limited Product Warranty.

Only use this appliance:

- For drying and freshening up fabrics that are washed with water and suitable for dryers.
- in closed rooms in the home and with similar applications, e.g.: in canteens in stores, offices and other work environments; in agricultural businesses;



IMPORTANT SAFETY INSTRUCTIONS

READ AND SAVE THESE INSTRUCTIONS

use by customers in hotels, motels and other typical home environments; in bed and breakfasts.

- Up to an altitude of 4000 m above sea level.

1.4 Restrictive Use

This appliance is not intended for use by persons (including children) with reduced physical, sensory or mental capabilities, or lack of experience and knowledge, unless they have been given supervision or instruction concerning use of the appliance by a person responsible for their safety.

Do not let children play with the appliance.

Cleaning and user maintenance must not be performed by children unless they are being supervised.

Keep children under the age of 3 and pets away from the appliance.

1.5 Grounding instructions

This appliance must be grounded. In the event of malfunction or breakdown, grounding will reduce the risk of electric shock by providing a path of least resistance for electric current. This appliance is equipped with a cord having an equipment-grounding conductor. Installation, electrical connections and grounding must comply with all applicable codes.

WARNING

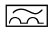
Improper connection of the equipment-grounding conductor can result in a risk of electric shock.

- ▶ Check with a qualified electrician or authorized service representative if you are in doubt whether the appliance is properly grounded.

1.6 Safe installation

WARNING

To avoid risk of injury from incorrect installations, observe the following.

- ▶ Ensure all installation instructions are followed before use.
- ▶ Connect and operate the appliance only in accordance with the specifications on the rating plate.
- ▶ Connect the appliance to a power supply with alternating current only via a correctly installed socket outlet with grounding.
- ▶ The protective conductor system of the domestic electrical installation must be properly installed. The installation must have a sufficiently large cable cross-section.
- ▶ When using a residual current circuit breaker, only use a type with the  mark.



IMPORTANT SAFETY INSTRUCTIONS

READ AND SAVE THESE INSTRUCTIONS

- ▶ Never equip the appliance with an external switching device, e.g. a timer or remote control.
- ▶ Never connect the appliance to a circuit that is regularly switched on and off by the energy supplier.
- ▶ When the appliance is installed, the mains plug of the power cord must be freely accessible. If free access is not possible, an isolating switch must be integrated into the permanent electrical installation according to the installation regulations.
- ▶ When installing the appliance, check that the power cord is not trapped or damaged.

To avoid risk of injury from damaged insulation of the power cord, observe the following.

- ▶ Never let the power cord come into contact with hot appliance parts or heat sources.
- ▶ Never let the power cord come into contact with sharp points or edges.
- ▶ Never kink, crush or modify the power cord.

WARNING

To avoid risk of injury from an extended power cord and non-approved adapters, observe the following.

- ▶ Do NOT use power cord extensions, power strips or adapters.
- ▶ Only use the power cord provided with the appliance.
- ▶ If the power cord is too short and a longer one is not available, please contact an electrician to make the necessary changes in accordance with national and local electrical codes.

WARNING

The heavy weight of the appliance may result in injury when lifted.

- ▶ Do not lift the appliance on your own.
- If this appliance is not correctly installed in a washer-dryer stack, the installed appliance may fall.
- ▶ Only stack the dryer on a washing machine using the connection kit from the dryer manufacturer. → *Page 24* No other installation method is permitted.
 - ▶ Do not install the appliance in a washer-dryer stack if the dryer manufacturer does not offer a suitable connection kit.
 - ▶ Do not install appliances from different manufacturers and with varying depths and widths in a washer-dryer stack.
 - ▶ Do not install a washer-dryer stack on a platform; the appliances may tip over.



IMPORTANT SAFETY INSTRUCTIONS

READ AND SAVE THESE INSTRUCTIONS

WARNING

Children may pull packaging material over their heads, or wrap themselves up in it and suffocate.

- ▶ Keep packaging material away from children.
- ▶ Do not allow children to play with packaging material.

CAUTION

The appliance may vibrate or move when in use.

- ▶ Place the appliance on a clean, even, solid surface.
- ▶ Align the appliance using the appliance feet and a spirit level.

If hoses and power cords have been laid incorrectly, this causes a tripping hazard.

- ▶ Lay hoses and power cords in such a way that there is no risk of tripping.

If the appliance is moved by holding onto protruding components, such as the appliance door, the parts may break off.

- ▶ Do not move the appliance by holding onto protruding parts.

CAUTION

Touching sharp edges on the appliance may lead to cuts.

- ▶ Do not touch the sharp edges on the appliance.
- ▶ Wear protective gloves when installing and transporting the appliance.

1.7 Safe use

WARNING

To avoid risk of injury from a damaged appliance or power cord, observe the following.

- ▶ Never operate a damaged appliance.
- ▶ Never pull on the power cord to unplug the appliance. Always unplug the appliance at the power outlet.
- ▶ If the appliance or the power cord is damaged, immediately unplug the power cord or switch off the breaker in the circuit breaker box.
- ▶ Call Customer Service. → *Page 41*

Moisture intrusion may cause an electric shock.

- ▶ Use the appliance in enclosed spaces only.
- ▶ Never expose the appliance to intense heat or humidity.
- ▶ Do not use steam cleaners, high-pressure cleaners, hoses or sprays to clean the appliance.



IMPORTANT SAFETY INSTRUCTIONS

READ AND SAVE THESE INSTRUCTIONS

WARNING

Children can lock themselves in the appliance, thereby putting their lives at risk.

- ▶ The appliance must not be set up behind a lockable door, a sliding door or a door with a hinge on the side opposite to the appliance, which prevents appliance from opening fully.
- ▶ With redundant appliances, pull out the mains plug of the power cord, cut through the power cord and remove the appliance door.

WARNING

Children may breathe in or swallow small parts, causing them to suffocate.

- ▶ Keep small parts away from children.
- ▶ Do not allow children to play with small parts.

WARNING

If there is coal dust or flour in the air around the appliance, this may cause an explosion.

- ▶ Keep the area around the appliance clean during operation.

WARNING

Condensation water from this appliance is not suitable for drinking and may be contaminated with lint.

- ▶ Do not drink or reuse the condensation water from the appliance. Detergents and care products may result in poisoning if consumed.
- ▶ If accidentally swallowed, seek medical advice.
- ▶ Keep detergents and care products out of the reach of children.

WARNING

The refrigerant R290 in this appliance is environmentally friendly yet combustible and may ignite if it comes into contact with open flames or ignition sources.

- ▶ Keep naked flames and ignition sources away from the appliance.
- ▶ Dispose of the appliance in the proper manner.
- ▶ Do not damage the pipes in the refrigerant circuit.



WARNING

If there is any residual material left in the lint screen, this may ignite during the drying process.

- ▶ Clean the lint screen regularly.



IMPORTANT SAFETY INSTRUCTIONS

READ AND SAVE THESE INSTRUCTIONS

Highly flammable objects such as lighters or matches may ignite during the drying process.

- ▶ Remove all highly flammable objects from any pockets in your laundry before the drying process.

Unwashed laundry may ignite during drying.

- ▶ Do not dry laundry in this appliance if the laundry has not been washed first.
- ▶ If laundry has been contaminated with substances such as cooking oil, acetone, alcohol, gasoline, kerosene, stain-remover, turpentine, wax and wax-remover, wash it in hot water with an additional quantity of detergent before drying it in the appliance.
- ▶ Rinse the laundry thoroughly with warm water and detergent before drying it in the machine.
- ▶ Do not use the appliance if industrial chemicals have been used to clean the laundry beforehand.

WARNING

If drying is interrupted early, the laundry is not cooled sufficiently and may ignite.

- ▶ Do not interrupt the drying programme early.
- ▶ If drying is interrupted early, remove the laundry immediately and spread it out.

CAUTION

The covering plate may break if you stand on or climb onto the appliance.

- ▶ Do not stand on or climb onto the appliance.

The appliance may tip over if you sit on or lean against the open door.

- ▶ Do not sit on or lean against the appliance door.
- ▶ Do not place any objects on the appliance door.

Reaching into the drum while it is still turning may cause hand injuries.

- ▶ Wait for the drum to come to a complete stop before reaching inside.

1.8 Safe cleaning and maintenance

WARNING

To avoid risk of injury from improper repairs, observe the following.

- ▶ Never make any technical modifications to the appliance or its features.
- ▶ Do not tamper with controls.
- ▶ Only qualified technicians or authorized service providers should perform repairs.
- ▶ Only genuine spare parts may be used to repair the appliance.



IMPORTANT SAFETY INSTRUCTIONS

READ AND SAVE THESE INSTRUCTIONS

- ▶ If the power cord of this appliance becomes damaged, it must be replaced by the manufacturer, the manufacturer's Customer Service, or an authorized service provider in order to prevent injury.

Moisture entering the appliance may cause electrical shock.

- ▶ Before cleaning, pull out the power plug or switch off the circuit breaker in the circuit breaker box.
- ▶ Do not use steam cleaners, high-pressure cleaners, hoses or sprays to clean the appliance.

WARNING

To avoid risk of injury from the use of non-original spare parts and non-original accessories, observe the following.

- ▶ Use only manufacturer-approved spare parts and accessories.

WARNING

Poisonous fumes may be given off if you use cleaning agents that contain solvents.

- ▶ Do not use cleaning agents that contain solvents.

1.9 State of California Proposition 65 Warnings

This product may contain a chemical known to the State of California, which can cause cancer or reproductive harm. Therefore, the packaging of your product may bear the following label as required by California:

STATE OF CALIFORNIA PROPOSITION 65 WARNING:



Cancer and Reproductive Harm - www.P65Warnings.ca.gov

2 Preventing material damage

NOTICE

The functionality of the appliance may be impaired if you use the wrong quantity of fabric softener, detergent, care product or cleaning agent.

- ▶ Follow the dosage recommendations from the manufacturer.
- ▶ Only use fabric softeners or products to eliminate static that are specifically recommended for this purpose by the product manufacturer.

Exceeding the maximum load capacity impairs the function of the appliance.

- ▶ Observe the maximum load capacity for each programme and do not exceed it. → *Page 22*

The function of the appliance may be impaired if the appliance overheats.

- ▶ Keep the ventilation opening on the appliance clear during operation.
- ▶ Make sure that the area is adequately ventilated.

Light objects such as hair and lint may be sucked in from the ventilation opening on the appliance during operation and impair the function of the appliance.

- ▶ Keep the area around the appliance clean during operation.
- ▶ Keep light objects away from the appliance.

If you operate the appliance without a lint guard (e.g. lint screen, lint collector, filter mat, etc., depending on appliance specifications), or if the lint guard is incomplete or defective, this

may result in damage to the appliance.

- ▶ Do not operate the appliance without a lint guard, or with a lint guard that is incomplete or defective.
- Foam or foam rubber may deform or melt during the drying process.
- ▶ Objects such as foam rubber (latex foam), shower caps, waterproof textiles, rubberized items and clothing or cushions with sponge rubber padding must not be dried in the appliance.

Unsuitable cleaning agents may damage the surfaces of the appliance.

- ▶ Do not use strong or abrasive cleaning agents.
- ▶ Do not use cleaning agents with a high alcohol content.
- ▶ Do not use hard scouring pads or cleaning sponges.
- ▶ Clean the appliance with nothing but water and a soft, damp cloth.
- ▶ Remove all detergent residue, spray residue or other residues immediately if they come into contact with the appliance.

3 Environmental protection and energy-saving

3.1 Disposal of packaging

The packaging materials are environmentally compatible and can be recycled.

- ▶ Sort the individual components by type and dispose of them separately.

3.2 Saving energy

If you follow these instructions, your appliance will use less power.

Note: The energy rating of this appliance is based on the **Cotton** pro-

gram with the dryness level **Dry**. The dryness level has been adjusted to "2". All other program settings are deactivated.

- Operate the appliance in a well-ventilated room and keep the ventilation opening on the appliance clear.
- Spin the laundry in the washing machine before drying.
- For each drying process, use the maximum load for the programs. → *Page 22*
- Do not exceed the program's maximum load capacity. → *Page 22*
- After drying, clean the lint screen. → *Page 27*
- Deactivate Wi-Fi on the appliance if it is not being used. → *Page 32*

3.3 Energy-saving mode

If you do not use the appliance for a brief period, it automatically switches to energy-saving mode. All displays go out and ▷ flashes.

Energy-saving mode ends when you use the appliance again.

If you do not use the appliance for an extended period, it automatically switches to standby mode.

4 Installation and connection

Install the appliance according to the manufacturer's instructions and local codes.

4.1 Unpacking the appliance

NOTICE

Objects remaining in the drum that are not designed for operation with the appliance may cause material

damage and damage to the appliance.

- ▶ Remove these objects, along with all supplied accessories, from the drum before starting the appliance.

1. Remove any packaging and protective covers completely from the appliance. → *Page 11*
2. Check the appliance for visible damage.
3. Open the door. → *Page 26*
4. Remove any accessories from the drum.
5. Close the door.

4.2 Included in delivery

After unpacking all the parts, check for any damage in transit and for completeness of delivery.

NOTICE

If the appliance is operated with incomplete or defective accessories, the appliance may not be able to operate properly, or this may result in material damage and damage to the appliance.

- ▶ Do not operate the appliance with incomplete or defective accessories.
- ▶ Replace the accessories in question before operating the appliance. → *"Accessories", Page 24*

The delivery consists of the following:

- Tumble dryer
- Accompanying documents
- Water jug → *Page 30*
- Stopper → *Page 16*
- Power adapter with fuses

4.3 Requirements for the installation location

Observe the instructions for the installation location.

NOTICE

If the appliance is tilted at an angle greater than 40°, residual water may leak out of the appliance and cause material damage.

- ▶ Tilt the appliance carefully.
- ▶ Transport the appliance in an up-right position.

If residual water in the appliance freezes, this may cause damage to the appliance.

- ▶ Do not install or operate this appliance anywhere that is liable to experience frost and/or outdoors.

If the appliance is operated immediately after transportation, the refrigerant contained in the appliance may cause damage to the appliance.

- ▶ Immediately after transporting the appliance, leave it to rest for two hours before putting it into operation.

On the floor

Place the appliance on a clean, level, and firm surface.

Align the appliance. → *Page 16*

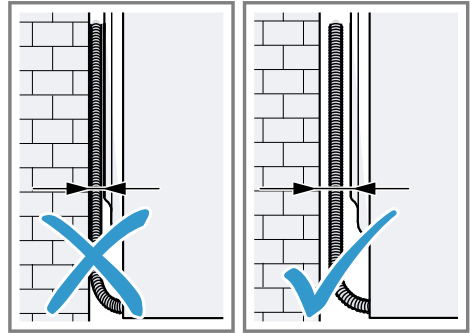
In a washer-dryer stack

Only use the original connection set from the dryer manufacturer when setting up this appliance in a washer-dryer stack.

- Connection kit → *Page 24*
- Connection kit with pull-out countertop → *Page 24*

This appliance must only be stacked on a washing machine from the same manufacturer. The depth and width of this appliance must correspond with the dimensions of the washing machine.

Do not place the washer-dryer stack on a platform.

Against a wall

Do not trap the hoses and power cord between the wall and the appliance.

4.4 Installation types

The appliance can be set up in a closed cabinet either in a washer-dryer stack or free-standing.

⚠ WARNING

If this appliance is not correctly installed in a washer-dryer stack, the installed appliance may fall.

- ▶ Only stack the dryer on a washing machine using the connection kit from the dryer manufacturer. → *Page 24* No other installation method is permitted.
- ▶ Do not install the appliance in a washer-dryer stack if the dryer manufacturer does not offer a suitable connection kit.
- ▶ Do not install appliances from different manufacturers and with varying depths and widths in a washer-dryer stack.
- ▶ Do not install a washer-dryer stack on a platform; the appliances may tip over.

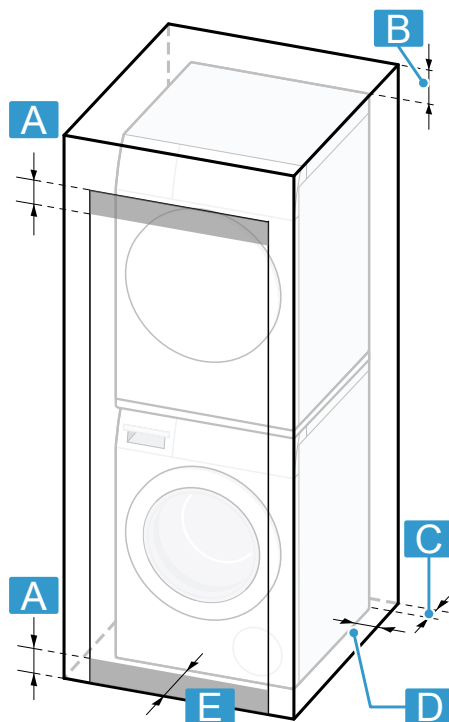
Installation in a closed cabinet

Notes

- In case of set up in a washer-dryer stack, please observe the requirements for the installation location.
- When installing in a cabinet, comply with the required minimum dimensions.
- To achieve shorter drying times, operate the appliance with the cabinet door open. Operating the appliance in a closed cabinet with only the minimum required ventilation openings may lead to longer drying times.

The specified dimensions of the ventilation opening apply to each position

and must not be divided between the upper and lower positions.



A 1.25" (3.2 cm)

B 6.25" (16.0 cm)

C 3.0" (7.5 cm)

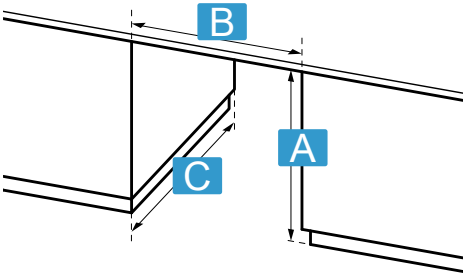
D 0.5" (1.3 cm)¹

E 0.5" (1.3 cm)

The specified dimensions of the ventilation openings apply to each position and must not be divided between the upper and lower positions.

¹ Valid for both sides of the appliance

Installation in an open cabinet



A 34.5" (87.6 cm)

B 23.8" (60.5 cm)

C 28.0" (71.1 cm)

4.5 Water outlet hose

Condensation that forms in the appliance as it dries the laundry is drained by default into the waste water system using the water outlet hose.

Connecting the water outlet hose

NOTICE

When operating the appliance without the water outlet hose being connected properly, liquid may leak out.

- ▶ Before operating the appliance, ensure that the water outlet hose is properly connected.

Requirements

- The appliance and the accessory have been unpacked. → *Page 12*
- The appliance is installed at the installation location.
- The water outlet hose is connected to the appliance.
- ▶ Connect the appliance to the water outlet. → *Page 15*

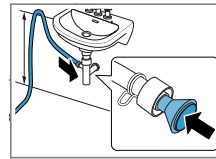
Water outlet connection types

NOTICE

In the event of a blocked or covered outlet, accumulated wastewater can flow back into the appliance.

- ▶ Before operating the appliance, ensure that the wastewater drains away quickly and eliminate any blockages.

Drainage into a siphon.

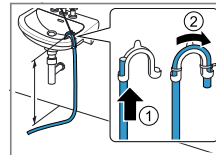


Secure the connection point with a (1/2"-7/8" (12-22 mm)) hose clamp.

Secure the water outlet hose with a hose guide at a height of at least 31 1/2" (80 cm) and no more than 39 3/8" (100 cm).

Note: You can use the Y-distributor → *Page 24* to connect the water outlet hose of an additional appliance, such as a washing machine, to the same siphon outlet.

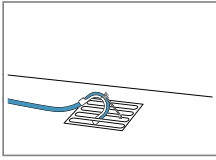
Drainage into a washbasin.



Push the water outlet hose fully through the elbow and secure it using fixing material. Secure the elbow at a height of no more than 39 3/8" (100 cm).

Drainage into a gully.

Push the water outlet hose fully through the elbow



and secure it using fixing material. Secure the elbow to the gully.

4.6 Connecting the condensation container

During the drying cycle, condensation forms; you can use the water outlet hose to drain away this condensation directly into the waste water system. If this is not possible at the appliance's installation location, connect the condensation container.

NOTICE

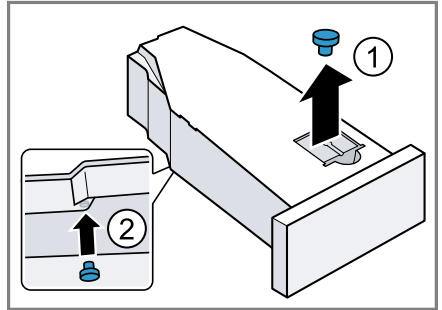
When operating the appliance without the water outlet hose being connected properly, liquid may leak out.

- ▶ Before operating the appliance, ensure that the water outlet hose is properly connected.

Requirements

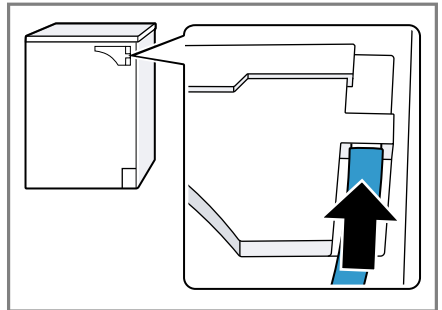
- The appliance and the accessory have been unpacked.
→ "Unpacking the appliance", Page 12
 - The appliance is installed at the installation location.
1. Empty the condensation container.
→ Page 28

2. Remove the stopper from the recess in the top ① and insert it in the underside ②.



When the appliance is delivered, the stopper is included as an accessory in the scope of delivery.

3. Insert the condensation container.
→ Page 29
4. Connect the water outlet hose on the rear of the appliance to the condensation container.

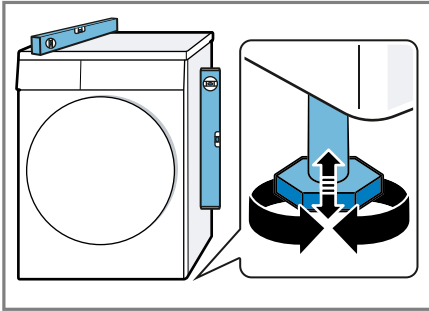


Tip: To go back to using the water outlet hose to drain the condensation into the waste water system (e.g. if you change where the appliance is located), carry out these steps in reverse order.

4.7 Aligning the appliance

In order to reduce noise and vibrations, align the appliance correctly.

- ▶ To align the appliance, turn the appliance feet. Check that the appliance is level using a spirit level.



All appliance feet must stand firmly on the ground.

4.8 Reversing the door

Note: You can find more information about changing the door direction

online. Scan the QR code on the title page.

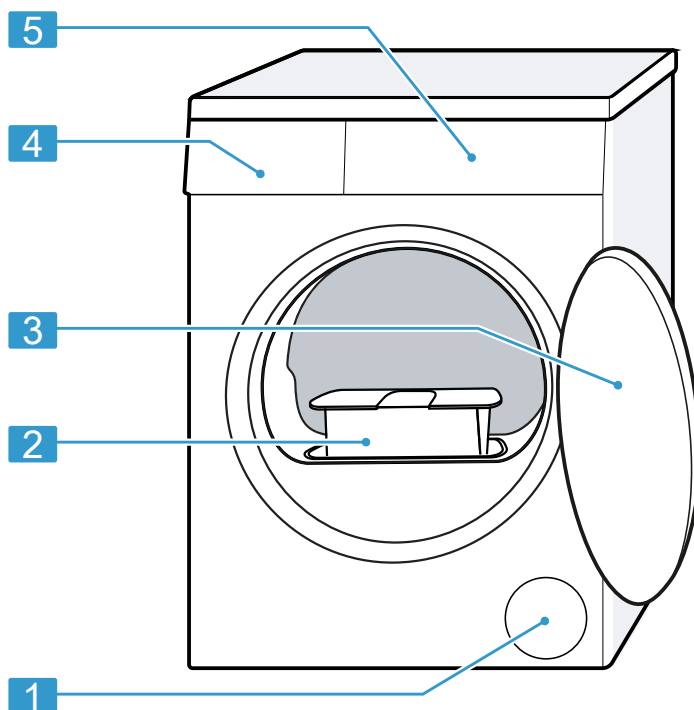
4.9 Connecting the appliance to the electricity supply

1. Insert the power adapter with the line side into a suitable socket close to the appliance. Observe the user manual that is enclosed with the power adapter.
 2. Insert the mains plug for the appliance's power cord into the power adapter's load side. The connection details of the appliance can be found under Technical data → *Page 42*.
 3. Check the power plug is inserted properly.
- ✓ The appliance is now ready to use.

5 Familiarizing yourself with your appliance

5.1 Appliance

Here you can find an overview of the parts of your appliance.



On certain models, specific details such as the color and shape may differ from those pictured.

-
- 1** Ventilation opening

 - 2** Lint screen → *Page 27*

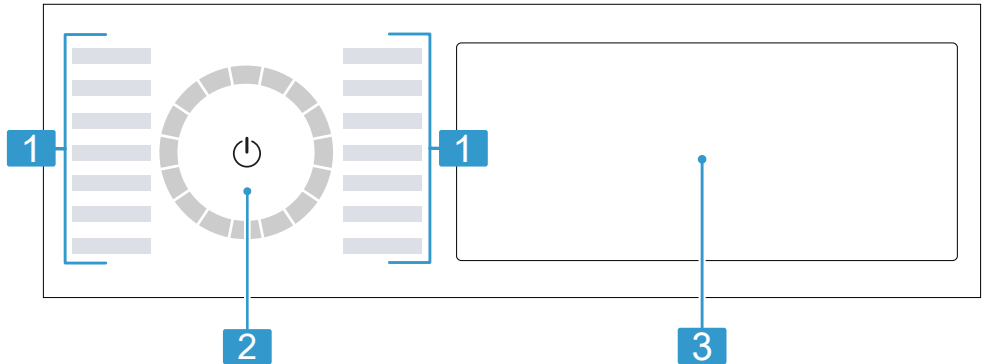
 - 3** Door → *Page 26*

-
- 4** Condensation container
→ *Page 28*

 - 5** Control panel → *Page 19*

5.2 Control panel

You can use the control panel to configure all functions of your appliance and to obtain information about the operating status.



-
- 1** Programs → *Page 22*
-
- 2** Program selector → *Page 25*
-
- 3** Buttons → *Page 21* and display → *Page 19*
-

NOTICE

Pressing on the display with force may cause damage.

- ▶ Do not apply heavy pressure on the display.
- ▶ Do not press on the display using pointed or sharp objects.

5.3 Operating logic

Some areas of the display are buttons and respond to touch. You can activate, deactivate or change settings by pressing the buttons. The activated settings are highlighted brightly on the display.

Changing a setting value

If you activate certain settings, the display shows selection buttons and you can change the setting value.

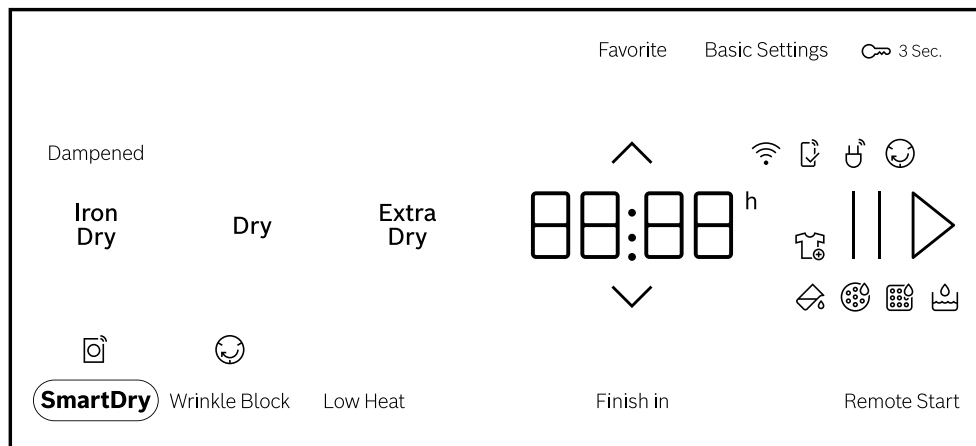
- ▶ Press the selection buttons → *Page 21*.
The display shows the setting value.

6 Display

The display shows the current settings, options or relevant information. Depending on the program status, the display shows some information in the **BB:BB** area, e.g. **E n d**.

Note: Additional functions may be available as a result of software updates.
→ *Page 32*



If a software update is available, you can find further information in the Home Connect® app.



Example: Display

Advertisement	Description
0:40 ¹	Expected program duration or program time remaining in hours and minutes.
10h ¹	Program end time → <i>Page 22</i>
	You can remove or add laundry, and interrupt the current program. → <i>Page 27</i>
	Empty and insert the condensation container. → <i>Page 28</i>
	Clean the lint screen. → <i>Page 27</i>
CArE	Run the basic appliance care program. → <i>Page 34</i>
	Fill the water tank for the crease-removal function. → <i>Page 30</i>
Hot	The cooling process cools the laundry independently of the program status for a few minutes while the drum is rotating, in order to avoid damage to the laundry. The cooling process can be cancelled by opening the door. Note: Do not change the set program.
	<ul style="list-style-type: none"> Lights up: The appliance is connected to your home network via Wi-Fi. Flashes: The appliance is trying to connect to your home network via Wi-Fi.
	Settings that are not available on the appliance have been set via the Home Connect® app.

¹ Example









Advertisement	Description
	You can find more information in the Home Connect® app.
	Program status: Crease-reduction function
	Program status: Pause
End	Program status: Program end

7 Buttons

Note: Additional functions may be available as a result of software updates.

→ *Page 32*

If a software update is available, you can find further information in the Home Connect® app.

Button	Description
	Start, cancel or pause the program. If  is displayed, you can pause the program. If  is displayed, you can start the program.
	Switch on the appliance or put it in standby mode. If the control panel does not respond, press and hold  for approximately 5 seconds to restart the appliance. → <i>Page 38</i>
 3 Sec.	Activate or deactivate the control panel lock. → <i>Page 30</i>
	Change the settings. → <i>Page 19</i>
Basic Settings	Call up the basic settings. → <i>Page 34</i>
Favorite	Press the button for approximately 3 seconds to save your customized program settings. → <i>Page 26</i> If you briefly press the button, you set your saved program with individual program settings.
Extra Dry	Change the dryness level. → <i>Page 29</i>
Dry	Change the dryness level. → <i>Page 29</i>
Iron Dry	Change the dryness level. → <i>Page 29</i>
 Wrinkle Block	Activate or deactivate the crease-reduction function. Once the program has ended, the drum moves the laundry at regular intervals for 120 minutes to prevent creasing.
Low Heat	Activate or deactivate gentle drying. The temperature is reduced for delicate fabrics, e.g. polyacrylic or elastane. The program duration is extended.

Button	Description
Finish in	Set the program end time. The program duration is already included in the set number of hours. Once the program has started, the program duration is displayed.
☑ SmartDry	Activate or deactivate intelligent program recommendation. → <i>Page 33</i>
Remote Start	If you press the button briefly, you can activate or deactivate remote start. → <i>Page 32</i> If you press and hold the button for approximately 3 seconds, the Home Connect® settings open. → <i>Page 31</i>

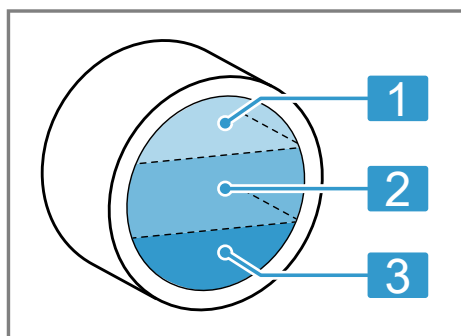
8 Programs

You can dry your fabrics using either an automatic program or a timed program.

Notes

- The laundry's care labels provide you with additional information on program selection.
- Additional functions may be available as a result of software updates. → *Page 32*

If a software update is available, you can find further information in the Home Connect® app.




8.1 Automatic programs

Automatic programs are programs in which humidity sensors measure the residual moisture in the laundry during the drying cycle. The program only ends once the set dryness level is reached.

Each automatic program has a dryness level → *Page 29*. The dryness level defines how dry or damp your laundry is after the program ends.

Tip: Select the dryness level according to the type of fabric or the desired drying result.

Program	Description	Max. load
Cotton	Dry hard-wearing, heat-resistant fabrics made of cotton or linen.	large
Mix	Dry items made of cotton and synthetics.	small
Bedding	Dry quilt covers, pillowcases, and sheets made of cotton.	medium

Program	Description	Max. load
	Note: The drum movement is optimized for drying large items of laundry.	
Delicates	Dry delicate items made of satin, synthetics, or blended fabrics.	small
Sanitize	Dry hard-wearing, heat-resistant fabrics made of cotton or linen. Suitable for increased hygiene requirements.	medium
Jeans	Dry jeans and thick, double-layered items made of cotton. Note: Turn laundry inside out before drying.	medium
Sportswear	Dry self-drying sportswear made of performance fibers, microfibers and synthetics.	small
Quick Dry Auto	Dry items made of synthetics or light cotton.	small
Towels	Dry hard-wearing, heat-resistant towels and robes made of cotton or linen.	medium
Steam Restore 	Reduce creasing and airborne odors on dry shirts and blouses that have not been worn for long or at all. → <i>Page 30</i> Notes <ul style="list-style-type: none"> ■ To prevent creasing, remove the laundry after the program ends. ■ The laundry is not cleaned. 	2 to 5 items of laundry


8.2 Timed programs

Timed programs are programs with a defined or adjustable program duration. The program ends once this time has elapsed, even if the laundry is still not dry, for example. Timed programs are suitable for drying individual items of laundry or thin fabrics.

Program	Description	Max. load
Hand Wash/Wool	Fluff machine-washable items made of wool or containing wool after washing or shake them out before washing.	small
Air Fluff	Fluff or shake out all dry fabric types except for wool and silk.	small
Time Dry	Dry all types of fabric except for wool and silk.	small

Program	Description	Max. load
	Suitable for pre-dried or slightly damp laundry and for drying off multi-layered, thick laundry.	

8.3 Other programs

Program	Description
 App Programs	Select additional programs directly via the Home Connect® app. A description of the programs can be found in the Home Connect® app. Note: Your appliance must be connected to your home network and registered in your Home Connect® app. → <i>Page 31</i>

9 Accessories

Only use genuine accessories. These are designed especially for your appliance.

Tip: Some accessories are available in other colors. Contact customer service.
→ *Page 41*

	Use	Order number
Elbow	Secure the water outlet hose in place.	00655300
Connection kit	To save space, stack the appliance on a suitable washing machine of the same width and depth and that is from the same manufacturer.	WTZ2751XUC
Connection kit with pull-out countertop	To save space, stack the appliance on a suitable washing machine of the same width and depth and that is from the same manufacturer. The pull-out countertop makes it easier to load and unload the appliance.	WTZ2750XUC
Wool basket	Dry or air individual woolen items, sports shoes, and soft toys.	WMZ20600
Y-distributor	Connect the water outlet hose of an additional appliance to the same siphon outlet.	15000490
Appliance care product	Spare part for the intensive appliance care function.	00312474

	Use	Order number
Platform	Install the appliance at a raised height so that it can be easily loaded and unloaded.	WTZPW2XD
Power adapter	Connect the appliance to a NEMA 14-30 (4-pin) outlet.	WTZPA20UC
Power adapter	Connect the appliance to a NEMA 10-30 (3-pin) outlet.	WTZPA30US
Fuses	Spare part for the power adapter to protect the appliance from damage due to overloads and short circuits.	10013781

10 Laundry

10.1 Preparing the laundry

NOTICE

Objects remaining in the laundry may damage the laundry and the drum.

- ▶ Remove all items from any pockets in your laundry before using the appliance.

Note

The appliance and fabrics are protected when you prepare your laundry.

- Brush off sand and soil
- Sort the laundry according to color and fabrics and observe the care labels
- Close all zippers, hook and loop fasteners, hooks and eyes
- Remove curtain fittings and lead strips
- Load the laundry unfolded into the drum
- Spin the laundry before drying
- Dry woolen items, sports shoes and soft toys in the wool basket

11 Basic Operation

11.1 Switching on the appliance

Note: If you switch the appliance on the first time after you have connected it to the electrical system, the switch-on process takes up to one minute.

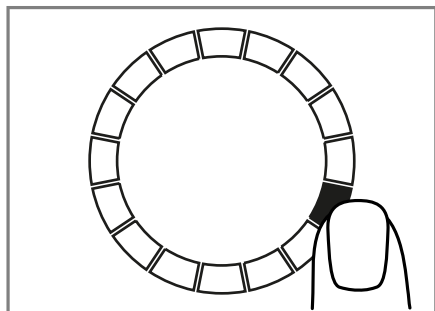
Requirement: The appliance has been correctly installed and connected. → *Page 12*

- ▶ Press ϕ .
The switch-on process takes a few seconds.

Note: The lighting for the drum goes out automatically.

11.2 Setting a program

1. Press the required program.
→ *Page 22*



- ✓ The display shows the program settings.
2. If required, adjust the program settings. → *Page 21*
Observe the information about operating logic → *Page 19*.
The program settings are not saved permanently for the program.

11.3 Saving the program settings

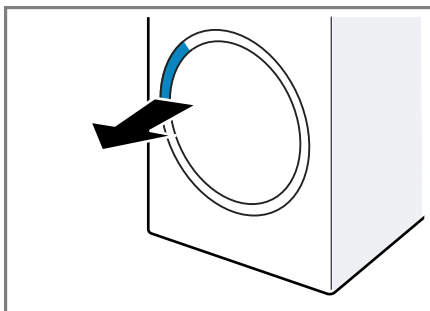
You can save your individual program settings as favorites.

Requirement: A program has been set. → *Page 26*

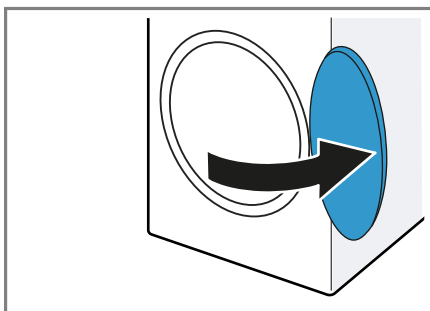
- ▶ Press and hold **Favorite** for approximately 3 seconds.
Press **Favorite** to call up the saved program.
- Note:** To overwrite the saved program, repeat the steps above.

11.4 Opening the door

1. Grip under the door handle and pull on the door.



2. Open the door.



11.5 Loading laundry

Note: To prevent creasing, note the maximum load for the programs.
→ *Page 22*

Requirements

- The laundry is prepared and sorted. → *Page 25*
 - The drum is empty.
1. Open the door. → *Page 26*
 2. Place the laundry in the drum.
 3. Close the door.
Ensure that there is no laundry trapped in the door.

11.6 Starting the program

Requirements

- A program has been set.
→ *Page 26*

- The door is closed.
- ▶ Press **|| ▷**.
- ✓ The display shows the program duration or the program end time.
- ✓ After the program has ended, the display shows: "End".

Note: When "Hot" is shown on the display, the appliance cools the laundry.

When "Hot" goes out, the laundry has cooled down.

11.7 Adding laundry

After the program starts, you can remove or add laundry at any time.

1. Press **|| ▷**.

The cooling process starts automatically after approximately 30 seconds and cools down the laundry while the drum is rotating. If you want to avoid or cancel the cooling process, open the door. → *Page 20*

2. Open the door. → *Page 26*
3. Add or remove laundry.
4. Close the door.
5. Start the program. → *Page 26*

11.8 Terminating the program

1. Press **|| ▷**.
2. Open the door. → *Page 26*
3. Remove the laundry. → *Page 27*

11.9 Removing the laundry

1. Open the door. → *Page 26*
2. Remove the laundry from the drum.

11.10 Put the appliance into standby mode

- ▶ Press **⏻**.

11.11 Lint screen

During drying, lint from the laundry is collected in the lint screen. The lint


screen protects the appliance from lint.

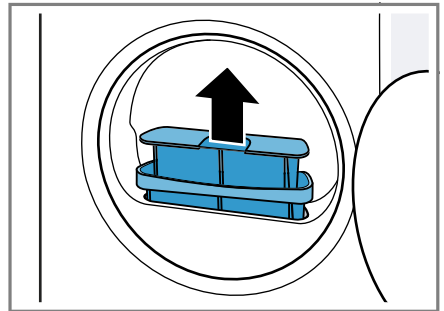
Cleaning the lint screen

If the drying program has finished or the display shows a notification while the appliance is in operation, clean the lint screen after the program end.

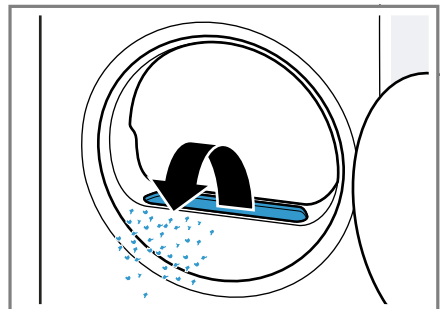
Note: If you do not clean the appliance as described, the appliance's functionality may be impaired.

Requirements

- The display shows the following after drying: "End"
 - or the display shows the following during operation: 
1. Open the door. → *Page 26*
 2. Remove the lint from the inside of the door.
 3. Remove the two-part lint screen one part at a time.

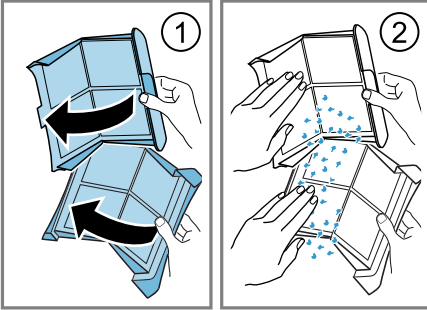


4. Remove the lint from the recess.



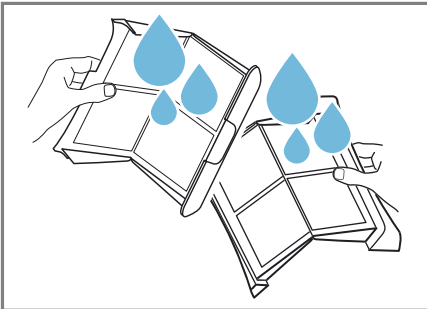
Ensure that no lint falls into the air channel.

5. Open the two lint screens ① and remove the lint ②.

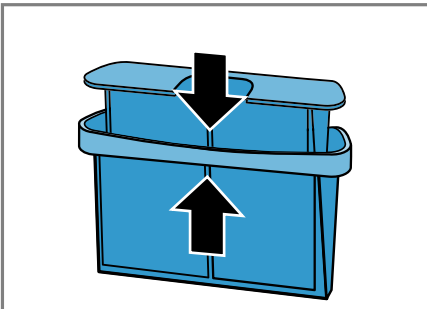


Dispose of the lint with the household waste in order to prevent the water from being contaminated with microplastics.

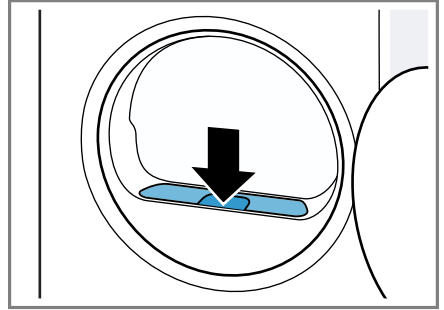
6. Clean the two lint screens thoroughly under warm, running water and then dry them off.



7. Close the two lint screens and put them together.



8. Insert the two-part lint screen.



9. Close the door.


11.12 Condensation container

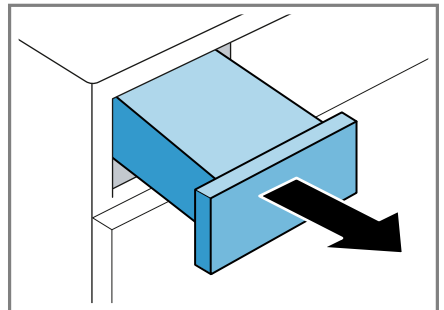
If you have connected the condensation container, your appliance uses this to collect any condensation.

Emptying the condensation container

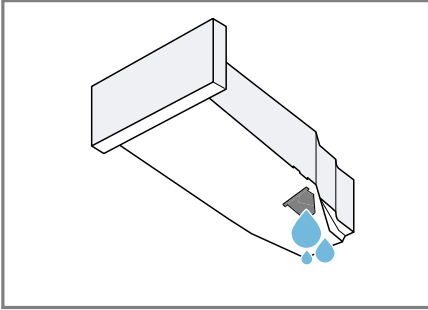
If the drying program has finished or the display shows a notification that the drying program is paused, empty the condensation container.

Requirements

- The display shows the following after drying: "End"
 - or the display shows the following while operation is paused: 
1. Pull out the condensation container, keeping it level.



2. Empty the condensation container.



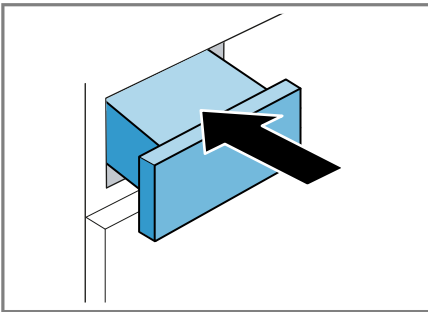
Check the condensation container filter regularly, and clean the filter if it is dirty. → *Page 37*

Make sure that you insert the condensation container before operating the appliance. → *Page 29*

3. If the drying program is paused, start the program. → *Page 26*

Inserting the condensation container

- ▶ Push the condensation container in as far as it will go.



12 Dryness level

Each automatic program has a specified dryness level. The dryness level defines how dry or damp your laundry is after the program ends.

Dryness level	Description
Extra Dry	For multi-layered, thick laundry that does not dry readily.
Dry	For normal, single-layered laundry.
Iron Dry	For normal, single-layered laundry. The laundry is still slightly damp after the program ends. To prevent creasing after drying, iron the laundry or hang it up.

12.1 Changing the dryness level

For some automatic programs, you can change the dryness level so that your laundry will be drier or more damp.

1. Set an automatic program. → *Page 22*
- ✓ The display shows the specified dryness level.
2. Press **Dry**, **Extra Dry**, or **Iron Dry**.

12.2 Adjusting the dryness level

If the laundry feels too damp after it has been dried to a particular dryness level, you can adjust the dryness level.

Note: You can also adjust the dryness level in the basic settings.

1. Set an automatic program. → *Page 22*
- ✓ The display shows the specified dryness level.
2. Press and hold **Dry**, **Extra Dry** or **Iron Dry** for approx. 3 seconds.
- ✓ The display shows "0", "1", "2" or "3".

en-us Control panel lock

3. Press \wedge or \vee to adjust the dryness level from "0" (dry) to "3" (driest).
4. Press and hold the selected drying target for approx. 3 seconds to return to the automatic program.

13 Control panel lock

Secure your appliance against being operated unintentionally using the controls.

13.1 Activating the control panel lock

- ▶ Press and hold ∞ **3 Sec.** for around 3 seconds.
- ✓ The control elements are locked.
- ✓ The control panel lock also remains activated when the appliance is in standby mode and in the event of a power failure.

13.2 Deactivating the control panel lock

Requirement: To deactivate the control panel lock, the appliance must be switched on.

- ▶ Press and hold ∞ **3 Sec.** for around 3 seconds.

14 Crease-removal function

In order to reduce creasing and airborne odors, such as cigarette smoke, you can use a program with a crease-removal function for any dry laundry that has not been worn for long or at all.

14.1 Starting a program with the crease-removal function

Note: Wash items of laundry that have traces of sweat, perfume or deodorant before wearing them again. Do not use dryer cleaning sets. Do not use a program with the crease-removal function for the following fabrics:

- Wool, leather, and viscose
- Fabrics with parts made from metal, wood, or plastic
- Waxed jackets and oilskin jackets

Requirement: The laundry is placed in the appliance. → *Page 26*

1. Set a program with crease-removal function. → *Page 22*
2. Start the program. → *Page 26*
If the water tank is empty, the display shows: ∞ .
→ *"Filling the water tank", Page 30*

The average program duration of the crease-removal function is approx. 45 minutes and may be longer or shorter depending on the ambient temperature.

- ✓ After the program has ended, the display shows: "End".
- 3. Remove the laundry. → *Page 27*
The results of the crease-removal function may vary depending on the type of fabric, the amount of laundry, and the selected program. Remove the laundry immediately after the program has ended to prevent creasing.
- 4. Hang up the items of laundry and pull them into shape.

14.2 Filling the water tank

Your appliance removes the creases from rarely worn clothing using cold mains water. If the display shows a


notification while the appliance is in operation, fill the water tank.

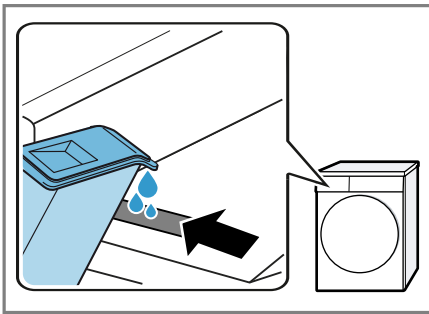
NOTICE

Operating the appliance with water that is dirty or too hot may result in damage to the appliance.


- ▶ Only fill the water tank with cold drinking water.
- ▶ Never use condensed water, distilled water, additives or descaler for the crease-removal function.

Requirements


- A program with the crease-removal function has been started.
→ *Page 30*
 - The display shows: .
 - The condensation container → *Page 28* is removed from the appliance.
1. Add approx. 6.1 fl oz (180 ml) cold mains water through the front opening, using the water jug provided.



Observe the mark for filling the water tank next to the front opening.

If  does not go out on the display, align the appliance correctly.

→ *"Aligning the appliance", Page 16*

- ✓  goes out on the display.
2. Insert the condensation container.
→ *Page 29*
 3. Start the program. → *Page 26*

15 Home Connect®

This appliance is network-capable. Connecting your appliance to a mobile device lets you control its functions via the Home Connect® app, adjust its basic settings and monitor its operating status.

The Home Connect® services are not available in every country. The availability of the Home Connect® function depends on the availability of the Home Connect® services in your country. You can find information on this at: www.home-connect.com.

The Home Connect® app guides you through the entire registration process. Follow the instructions, noting the information in the Home Connect® app.

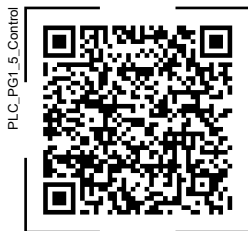
Notes

- Note the safety information in this instruction manual and ensure that it is also observed when operating the appliance using the Home Connect® app.
→ *"Safety", Page 4*
- Operating the appliance on the appliance itself always takes priority. It is not possible to operate the appliance using the Home Connect® app during this time.

15.1 Setting up Home Connect®

Requirement: The appliance receives signals from the WLAN home network (Wi-Fi) at its installation location.

1. Scan the following QR code.



You can install the Home Connect® app and connect your appliance via the QR code.

2. Follow the instructions in the Home Connect® app.

15.2 Deactivating Wi-Fi on the appliance

1. Press and hold **Remote Start** for around 3 seconds.
2. Press **Remote Start** repeatedly until the display shows "on".
3. Press **||▷** to deactivate the Wi-Fi.
 - ✓ The display shows "oFF".

Note: To exit the Home Connect® settings, press and hold **Remote Start** for approx. 3 seconds.

15.3 Activating Wi-Fi on the appliance

1. Press and hold **Remote Start** for around 3 seconds.
2. Press **Remote Start** repeatedly until the display shows "oFF".
3. Press **||▷** to activate the Wi-Fi.
 - ✓ The display shows "on".

Notes

- If the Wi-Fi is activated, the display alternately shows "on" and the signal strength of the Wi-Fi connection.
- To exit the Home Connect® settings, press and hold **Remote Start** for approx. 3 seconds.

15.4 Installing a software update

Note: If a software update is available, a message appears in the Home Connect® app.

- ▶ To install the software update, follow the instructions in the Home Connect® app.
- ✓ The control panel is partially locked during the installation.
- ✓ In the event of a malfunction, installation may take up to 40 minutes. Do not reset the network settings or the appliance to the factory settings.

Note: You can find the current software version in the Home Connect® app under the appliance information for the appliance.

15.5 Resetting the appliance network settings

1. Press and hold **Remote Start** for around 3 seconds.
2. Press **Remote Start** repeatedly until the display shows "rES".
3. Press and hold **||▷** for around 3 seconds.
 - ✓ The network settings are reset.

15.6 Remote start

Enable the appliance for remote start via the Home Connect® app.

Note

Remote start will be deactivated in the following circumstances:

- The appliance door is opened.
- Press **||▷**.
- Press **Remote Start**.
- Following a power failure.

Activating remote start

Requirements

- The appliance door is closed.
- The refresher tank is not empty.

- ▶ Press **Remote Start**.
- ✓ **Remote Start** lights up and the appliance is enabled for remote start via the Home Connect® app.

Deactivating remote start

- ▶ Press **Remote Start**.
- ✓ **Remote Start** goes out.

15.7 Intelligent program recommendation

When you activate the intelligent program recommendation, your appliance recommends a suitable program for drying the laundry once you have washed your laundry in the washing machine.

Activating the intelligent program recommendation

Requirements

- Your washing machine has the Home Connect® function.
- Your washing machine and your dryer must be connected to your home network and registered in your Home Connect® app.

1. Press **SmartDry**.

- ✓ The appliance determines a suitable program. To cancel the process, set a different program or switch the appliance to standby mode.
- ✓ If the appliance finds a suitable program, the display for the program lights up and the program information is displayed.
- ✓ If the appliance does not find a suitable program, a signal tone sounds and the display shows "-".

2. Press .

15.8 Remote Diagnostics

Customer Service can access your appliance via Remote Diagnostics if

you ask them to do so, provided your appliance is connected to the Home Connect® server and Remote Diagnostics is available for your appliance and country. For more information on Remote Diagnostics' availability in your country, visit the Service/Support section of your local website: www.home-connect.com. Please be aware that while Remote Diagnostics can assist in troubleshooting select issues, there may be instances where an on-site service visit is required if the problem cannot be resolved remotely.

15.9 Data Protection

Please read this information on data protection.

The first time your appliance is registered on a home network connected to the Internet, your appliance transmits the following types of data to the Home Connect® server (initial registration):

- Unique appliance identification (consisting of appliance codes as well as the MAC address of the installed Wi-Fi communication module).
- Security certificate of the Wi-Fi communication module (to ensure a secure data connection).
- The current software and hardware version of your home appliance.
- Status of any previous reset to factory settings.

This initial registration prepares the Home Connect® functions for use and is only required when you want to use the Home Connect® functions for the first time.

Note: Please note that the Home Connect® functions can only be used in conjunction with the

Home Connect® app. Information on data protection can be retrieved in the Home Connect® app.

16 Basic settings

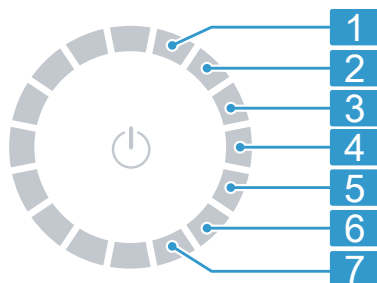
You can configure the basic settings for your appliance to meet your needs.

Note: You can also adjust the basic settings in the Home Connect® app.

16.1 Overview of the basic settings

Note: Additional functions may be available as a result of software updates. → *Page 32*

If a software update is available, you can find further information in the Home Connect® app.



Program selector with program positions

1 Set the volume of the signal tone that is emitted when the program ends:
0 (off) to 4 (very loud)

2 Set the volume of the signal tone that is emitted when the buttons are selected:
0 (off) to 4 (very loud)

3 Set the display brightness:
1 (low) to 4 (very high)

4 Adjust the dryness level
→ *Page 29*:
0 (dry) to 3 (driest)

5 Start the basic (CP1) or intensive (CP2) appliance care program.
→ *"Appliance care", Page 34*

6 Display the number of started programs (PC).

7 Restore the appliance to the factory settings (rES).

16.2 Changing the basic settings

1. To call up the basic settings, press **Basic Settings**.
2. Use the program selector to select the required basic setting.
→ *Page 34*
3. Adjust the basic setting:
 - ▶ To change the value, press \wedge or \vee .
 - ▶ To reset the appliance to the factory settings, press and hold $\text{||}\triangleright$ for approx. 3 seconds.
4. To exit the basic settings, press **Basic Settings**.

17 Appliance care

The appliance offers cleaning programs for basic and intensive appliance care.

To remove light dirt deposits in the appliance, you can run the basic appliance care program when the display shows "CArE" after a longer period of use.

Note: The basic appliance care program runs for approximately 1 hour.

To remove any stubborn dirt deposits in the appliance and odors after a downtime of more than one month,

you can run the intensive appliance care program.

Notes

- The intensive appliance care program runs for approximately 4 hours and must not be canceled.
- When you run the intensive appliance care program, you need the original appliance care product → *Page 24*.

17.1 Preparing for the appliance care program

Preparing the appliance

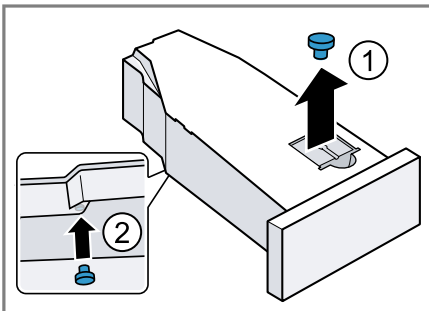
Requirement: The drum is empty.

1. Put the appliance into standby mode. → *Page 27*
2. Clean the lint screen. → *Page 27*
3. Empty the condensation container. → *Page 28*

Preparing the condensation container

If you drain the condensation using the water drain hose, prepare the condensation container.

- ▶ Remove the stopper from the recess in the top ① and insert it in the underside ②.



When the appliance is delivered, the stopper is included as an accessory in the scope of delivery.

17.2 Running the basic appliance care program


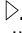

Requirement: The appliance care program is ready. → *Page 35*

1. Pour approx. 6.3 cups (1.5 l) of hot mains water into the condensation container.
Hold the filled condensation container level so that no liquid spills out.
2. Insert the condensation container so that it locks into place.
3. Switch on the appliance.
4. Press **Basic Settings**.
5. Set the program selector to position 5. → *Page 34*
- ✓ "CP1" and the program duration alternate on the display.
6. Press **||▷**.
- ✓ The appliance care program starts and a signal tone sounds.
- ✓ "End" appears on the display and a signal tone sounds once the appliance care program has ended.
7. Empty the condensation container. → *Page 28*
8. If you drain the condensation using the water drain hose, remove the stopper from the underside of the condensation container and insert it into the recess in the top of the condensation container. → *Page 35*
9. Insert the condensation container so that it locks into place.
10. Put the appliance into standby mode. → *Page 27*

17.3 Running the intensive appliance care program

Starting the intensive appliance care program

Requirement: The appliance care program is ready. → *Page 35*

1. Pour a bottle of the appliance care product and approx. 6.3 cups (1.5 l) of hot mains water into the condensation container. Hold the filled condensation container level so that no liquid spills out.
 2. Insert the condensation container so that it locks into place.
 3. Switch on the appliance.
 4. Press **Basic Settings**.
 5. Set the program selector to position 5. → *Page 34*
 - ✓ "CP1" and the program duration alternate on the display.
 6. Press .
 - ✓ "CP2" and the program duration alternate on the display.
 7. Press .
 - ✓ The appliance care program starts and a signal tone sounds.
 - ✓ After around 3 hours, the appliance pauses the appliance care program and the remaining program duration flashes on the display.
 8. Empty the condensation container. → *Page 28*
 9. Pour approx. 6.3 cups (1.5 l) of hot mains water into the condensation container.
 10. Carefully swivel the condensation container horizontally and empty it to rinse out any remaining appliance care product.
3. Press .
 - ✓ The appliance care program continues.
 - ✓ "End" appears on the display and a signal tone sounds once the appliance care program has ended.
 4. Empty the condensation container. → *Page 28*
 5. If you drain the condensation using the water drain hose, remove the stopper from the underside of the condensation container and insert it into the recess in the top of the condensation container. → *Page 35*
 6. Put the appliance into standby mode. → *Page 27*

Continuing the intensive appliance care program

1. Pour approx. 6.3 cups (1.5 l) of hot mains water into the condensation container. Hold the filled condensation container level so that no liquid spills out.
2. Insert the condensation container so that it locks into place.

18 Cleaning and maintenance

NOTICE

Heavy, sharp or rough objects may damage the appliance.

- ▶ Do not use hard or sharp objects, abrasive cleaning products or steel wool for cleaning.
- ▶ Clean the appliance using only water and a soft cloth.

Note: The Statement of Limited Product Warranty covers defects in materials and workmanship. Cleaning and maintenance is not covered by the warranty and a charge will apply. See the Statement of Limited Product Warranty for more details.

18.1 Moisture sensor

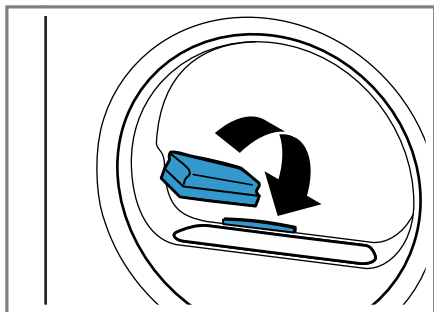
The moisture sensor in this appliance measures how damp the laundry is during the drying cycle. The appliance changes the duration of the automatic program depending on the residual moisture in the laundry.

Cleaning the moisture sensor

Over time, residue from limescale, detergents, and care products can build up on the moisture sensor. Clean the moisture sensor regularly.

Note: If you do not clean the appliance as described, the appliance's functionality may be impaired.

1. Open the door.
2. Clean the moisture sensor with a sponge.



18.2 Condensation container filter

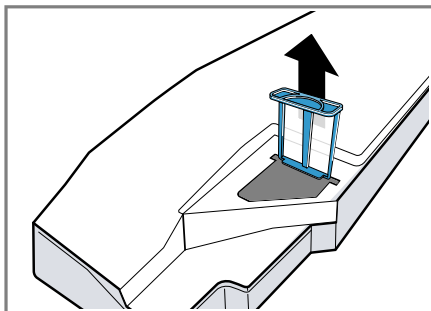
During drying, lint from the laundry gets into the condensation. The filter in the condensation container protects the appliance from lint.

Cleaning the condensation container filter

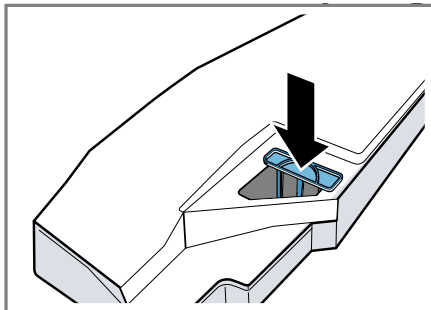
The filter is cleaned automatically when the condensation container is

emptied. Check the filter regularly and clean the filter if it is dirty.

1. Empty the condensation container.
→ *Page 28*
2. Remove the filter.



3. Clean the filter under warm, running water. You can also clean the filter in the dishwasher.
4. Slide in the filter as far as it will go.



5. Insert the condensation container.
→ *Page 29*

19 Troubleshooting




You can eliminate minor issues on your appliance yourself. Please read the information on eliminating issues before contacting Customer Service. This may avoid unnecessary repair costs.

⚠ WARNING

To avoid risk of injury from improper repairs, observe the following.

- ▶ Never make any technical modifications to the appliance or its features.
- ▶ Do not tamper with controls.

- ▶ Only qualified technicians or authorized service providers should perform repairs.
- ▶ Only genuine spare parts may be used to repair the appliance.
- ▶ If the power cord of this appliance becomes damaged, it must be replaced by the manufacturer, the manufacturer's Customer Service, or an authorized service provider in order to prevent injury.

Fault	Cause and troubleshooting
The display goes out and ▷ flashes.	Energy-saving mode is active. <ul style="list-style-type: none"> ▶ Press ▷.
 and program terminated.	The condensation container is full. <ul style="list-style-type: none"> ▶ Empty the condensation container. → <i>Page 28</i>
	The water outlet hose is not connected correctly, or is kinked or trapped. <ul style="list-style-type: none"> ▶ Check the installation of the water outlet hose. → <i>Page 15</i>
	Water outlet hose is blocked. <ul style="list-style-type: none"> ▶ Rinse the water outlet hose with tap water.
	The filter for the condensation container is soiled. <ul style="list-style-type: none"> ▶ Clean the filter for the condensation container. → <i>Page 37</i>
"Hot" and the drum rotates.	Not a fault. The cooling process is active. No action required. <p>Note: Do not change the program during the cooling process. The cooling process takes up to 10 minutes.</p>
"CArE"	The basic appliance care program should be run. <ul style="list-style-type: none"> ▶ Run the basic appliance care program → <i>Page 34</i>.
	The lint screen is soiled. <ul style="list-style-type: none"> ▶ Clean the lint screen. → <i>Page 27</i>
	The water tank for the crease-removal function is empty. <ul style="list-style-type: none"> ▶ Fill the water tank. → <i>Page 30</i>
The display and buttons do not respond.	Software fault. <ol style="list-style-type: none"> 1. To restart the appliance, press and hold ⏻ for approximately 5 seconds. 2. If the fault occurs again, disconnect the appliance from the power supply for at least 30 seconds. Unplug the power plug or switch off the circuit breaker in the fuse box.
Home Connect® is not working properly.	Various causes are possible. <ol style="list-style-type: none"> 1. Reset the appliance network settings. → <i>Page 32</i> 2. Set up Home Connect® again. → <i>Page 31</i> <ul style="list-style-type: none"> ▶ Go to <i>www.home-connect.com</i>.

Fault	Cause and troubleshooting
Water overflows when filling the water tank.	The water tank is completely full. No action required. Note: The overflowing water is harmless. Do not pour any more water into the water tank.
The program does not start.	The control panel lock is activated. ▶ Deactivate the control panel lock. → <i>Page 30</i> Finish in is activated. ▶ Check whether Finish in is activated. → <i>Page 22</i>
The program duration changes during the drying cycle.	Not a fault. The program sequence is optimized electronically. No action required.
The drying time is too long.	The lint screen is soiled. ▶ Clean the lint screen. → <i>Page 27</i> The ambient temperature is lower than 59 °F (15 °C) or higher than 86 °F (30 °C). ▶ Ensure that the ambient temperature is between 59 °F (15 °C) and 86 °F (30 °C). The air circulation at the appliance's installation location is insufficient. ▶ Ventilate the appliance's installation location. Insufficient condensation for the automatic self-cleaning function when permanently drying small loads of laundry or when permanently using the crease-removal function. ▶ Regularly dry a load weighing more than 6.6 lbs (3 kg) of damp laundry until the program ends. The appliance's ventilation opening is blocked. ▶ Ensure that the ventilation opening of the appliance is kept clear. The heat exchanger is soiled. ▶ Run the basic appliance care program → <i>Page 34</i> .
The crease-removal function takes too long.	A low ambient temperature extends the duration of the crease-removal function. No action required.
Humming, whirring, or pumping noises.	Not a fault. The compressor, compressor ventilation or condensation pump is active. No action required.
Laundry is too damp.	The selected program is unsuitable for the type of fabric. ▶ Set a time program for subsequent drying. → <i>Page 23</i>

Fault	Cause and troubleshooting
Laundry is too damp.	<p>The load is too large.</p> <ul style="list-style-type: none"> ▶ Observe the program's maximum load capacity. → <i>Page 22</i> <hr/> <p>After the end of the program, warm laundry feels damper than it actually is.</p> <ol style="list-style-type: none"> 1. Remove the laundry from the drum as soon as the drying program has finished. 2. Spread out the items of laundry to cool. <hr/> <p>The selected dryness level is unsuitable.</p> <ul style="list-style-type: none"> ▶ Change the dryness level. → <i>Page 29</i> <hr/> <p>The dryness level is not adjusted.</p> <ul style="list-style-type: none"> ▶ Adjust the dryness level. → <i>Page 29</i> <hr/> <p>The load is too small.</p> <ul style="list-style-type: none"> ▶ Set a time program for subsequent drying. → <i>Page 23</i> <hr/> <p>The moisture sensor is dirty.</p> <ul style="list-style-type: none"> ▶ Clean the moisture sensor. → <i>Page 37</i> <hr/> <p>The appliance has interrupted the drying process due to the condensation container being full.</p> <ul style="list-style-type: none"> ▶ Empty the condensation container. → <i>Page 28</i>
Creasing.	<p>The selected program is unsuitable for the type of fabric.</p> <ul style="list-style-type: none"> ▶ Set a suitable program. → <i>Page 22</i> <hr/> <p>The load is unsuitable.</p> <ul style="list-style-type: none"> ▶ Observe the program's maximum load capacity. → <i>Page 22</i> ▶ Prepare the laundry. → <i>Page 25</i> <hr/> <p>The laundry lies in the drum for too long after drying.</p> <ol style="list-style-type: none"> 1. Remove the laundry from the drum as soon as the drying program has finished. 2. Spread out the items of laundry to cool. <hr/> <p>Easy Care fabrics have been dried for too long.</p> <ul style="list-style-type: none"> ▶ Change or adjust the dryness level. → <i>Page 29</i> <hr/> <p>The crease-reduction function is not activated.</p> <ul style="list-style-type: none"> ▶ Activate the crease-reduction function. → <i>Page 21</i>
Water is leaking from the appliance.	<p>Appliance is not correctly aligned.</p> <ul style="list-style-type: none"> ▶ Align the appliance. → <i>Page 16</i> <hr/> <p>Water outlet hose is not connected correctly.</p> <ul style="list-style-type: none"> ▶ Check the installation of the water outlet hose. → <i>Page 15</i>

Fault	Cause and troubleshooting
Odors have formed in the appliance.	Stubborn dirt in the appliance or an extended appliance downtime of more than one month. <ul style="list-style-type: none"> ▶ Run the intensive appliance care program. → <i>Page 34</i>
All other fault codes.	Operational fault <ol style="list-style-type: none"> 1. To restart the appliance, press and hold ϕ for approximately 5 seconds. 2. If the fault occurs again, disconnect the appliance from the power supply for at least 30 seconds. Unplug the power plug or switch off the circuit breaker in the fuse box. 3. If the fault persists, call customer service. → <i>Page 41</i> Please specify the exact error message when calling. If possible, document the fault with photos and videos.

20 Transportation, storage and disposal

20.1 Disposal of your old appliance

Environmentally compatible disposal allows valuable raw materials to be recycled.

WARNING

Children can lock themselves in the appliance, thereby putting their lives at risk.

- ▶ The appliance must not be set up behind a lockable door, a sliding door or a door with a hinge on the side opposite to the appliance, which prevents appliance from opening fully.
 - ▶ With redundant appliances, pull out the mains plug of the power cord, cut through the power cord and remove the appliance door.
1. Unplug the appliance from the power supply.
 2. Cut through the power cord.

3. Remove the appliance door.
4. Dispose of the appliance in an environmentally responsible manner. Information about current disposal methods can be obtained from your specialist dealer or local authority.

21 Customer Service

With any warranty repair, we will make sure your appliance is repaired by an authorized service provider using genuine replacement parts. We use only genuine replacement parts for all repairs.

You can obtain function-relevant and storable genuine spare parts from our Customer Service for up to 15 years from the date on which your appliance was placed on the market. For more information, please contact our Customer Service team. Detailed information on the warranty period and terms of warranty can be found in the Statement of Limited Product Warranty, from your retailer, or on our website.

en-us Technical specifications

USA:

1-800-944-2904

www.bosch-home.com/us/owner-support/get-support

www.bosch-home.com/us/shop

CA:

1-800-944-2904

www.bosch-home.ca/en/service/get-support

www.bosch-home.ca/en/service/cleaners-and-accessories

For assistance with connecting to Home Connect®, you can also view instructions here:

www.home-connect.com/us/en/help-support/set-up

21.1 Model number (E-Nr.), production number (FD) and consecutive numbering (Z-Nr.)

If you contact Customer Service, you will need the product number (E-Nr.), production number (FD), and consecutive numbering (Z-Nr.), which you can find on the appliance's rating label.

Depending on the model, the rating plate can be found:

- on the inside of the door.
- underneath the drum opening.
- on the inside of the service flap.
- on the backside of the appliance.

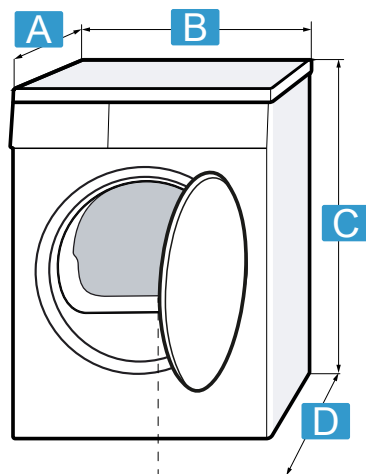
Making a note of your appliance's details and the Customer Service telephone number will enable you to find them again quickly.

22 Technical specifications

Weight	127.4 lbs
Drum volume	4.0 ft ³

Mains voltage	208-240 V, 60 Hz
⇄ Minimum installation protection	10 A
Power rating	1000 W
Ambient temperature	<ul style="list-style-type: none">▪ Minimum: 41 °F (5 °C)▪ Maximum: 95 °F (35 °C)
Length of the power cord	63 ³ / ₈ " (160 cm)

Appliance dimensions



Appliance depth: 24 ¹/₈" (61.3 cm)

A Appliance depth with door closed: 26" (65.1 cm)

B Appliance width: 23 ¹/₂" (59.8 cm)

C Appliance height¹: 33 1/4"
(84.2 cm)

D Appliance depth with door
open: 43 1/2" (110.5 cm)

22.1 Information regarding Free and Open Source Software

This product includes software components that are licensed by the copyright holders as free or open source software.

The applicable license information is stored on your home appliance. You can also access the applicable license information via your Home Connect® app: "Profile -> Legal information -> License Information".² You can also download the license information on the brand product website. (Please search on the product website for your appliance model and additional documents). Alternatively, you can request the relevant information from ossrequest@bshg.com or BSH Hausgeräte GmbH, Carl-Wery-Str. 34, 81739 Munich, Germany.

The relevant source code will be made available to you on request. Please send your request to ossrequest@bshg.com or BSH Hausgeräte GmbH, Carl-Wery-Str.34, 81739 Munich, Germany.

Subject: „OSSREQUEST“

The cost of performing your request will be charged to you. This offer is valid for three years from the date of purchase or at least as long as we offer support and spare parts for the relevant appliance.

¹ When aligning the appliance, the appliance height may increase by up to 5/8" (1.5 cm).

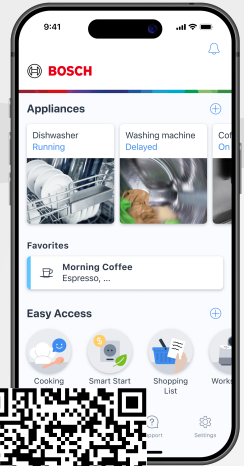
² Depending on the appliance specifications



Bosch Home Connect App

Connect your home appliance today and enjoy the following benefits:

- **Extend the service life of the appliance with regular updates and an overview of recommended maintenance and cleaning.**
- **Improve appliance performance thanks to helpful function descriptions in the app and program assistants.**
- **Receive relevant notifications, control your appliance effortlessly and use voice control via a partner.**



BOSCH
HOME APPLIANCES
SERVICE

Looking for help? You'll find it here.

No matter what, no matter when: Bosch is here to support you. We're here to assist with usage instructions, cleaning tips, accessories & parts, troubleshooting, and repairs. Find online resources such as FAQs, how-to-videos, manuals, warranties and authorized Bosch servicers at:

www.bosch-home.com/us/owner-support/get-support

Contact us:

Please have your model Number (E-Nr) ready when contacting us.

1-800-944-2904

www.bosch-home.com/us/owner-support/contact-us

BSH Home Appliances Corporation

1901 Main Street, Suite 600

Irvine, CA 92614

USA

www.bosch-home.com

1-800-944-2904

© 2026 BSH Home Appliances Corporation



9002070824 (060508)

en-us