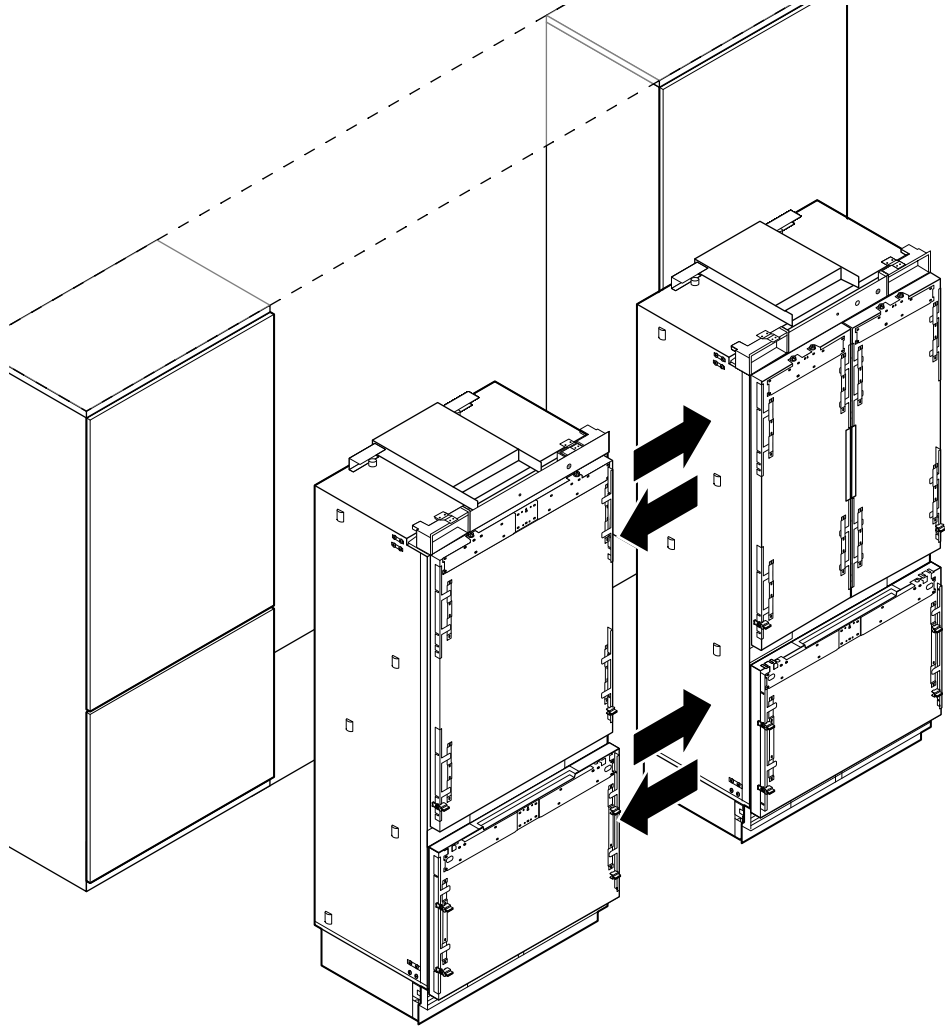
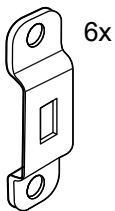
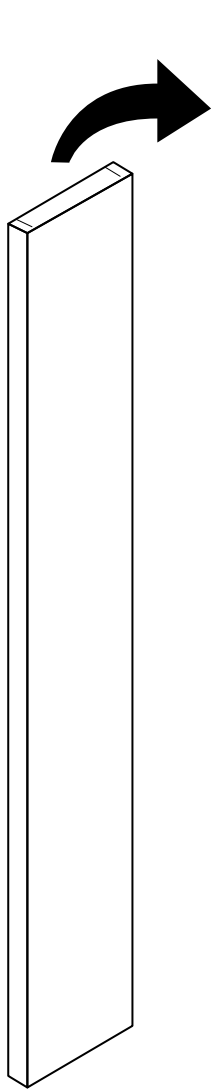


9001946634 (051208)



in (mm)

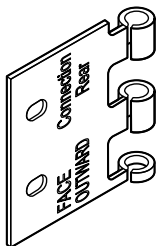




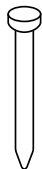
6x



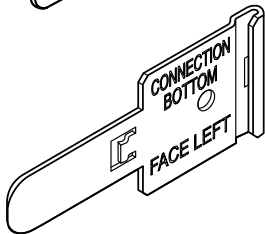
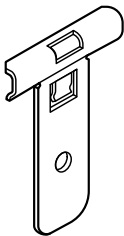
M5x16 T20  
20x



4x

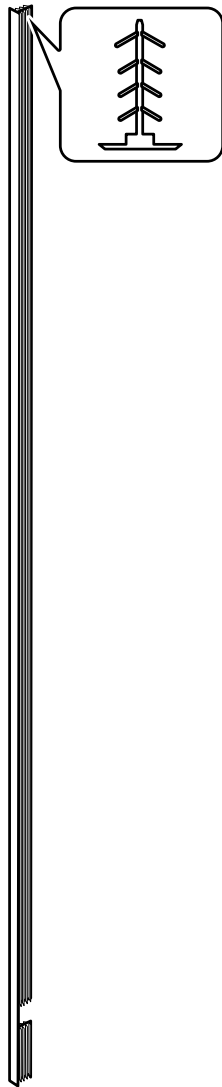


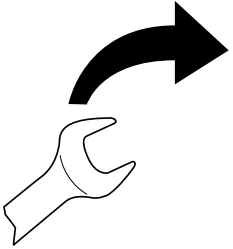
2x



CONNECTION  
BOTTOM

FACE LEFT

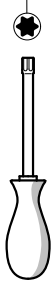




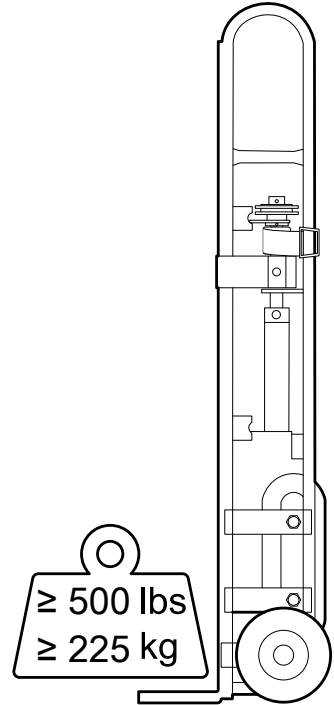
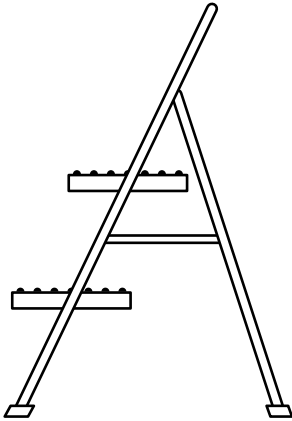
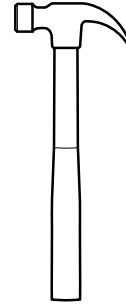
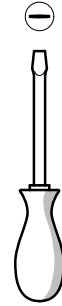
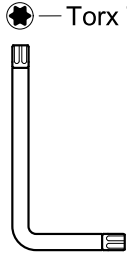
Torx  
T 20

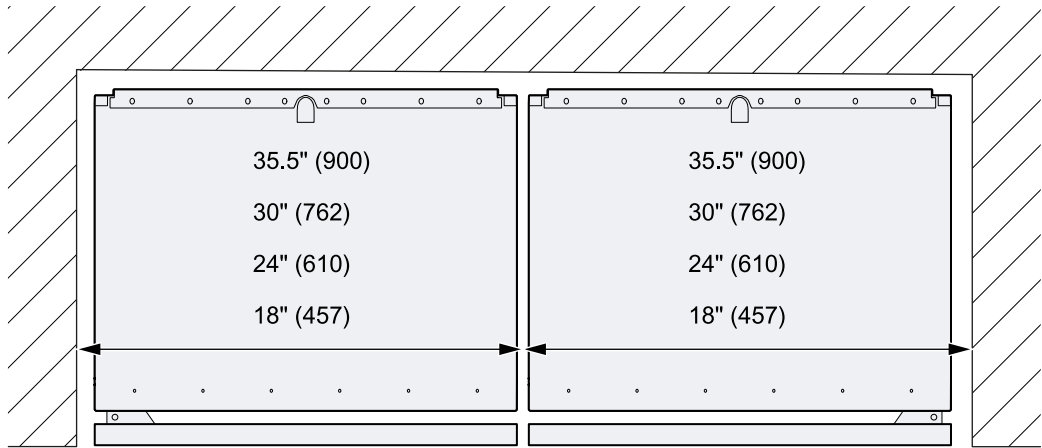
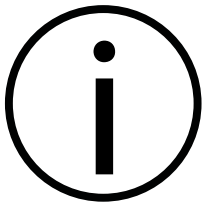


Torx  
T 20

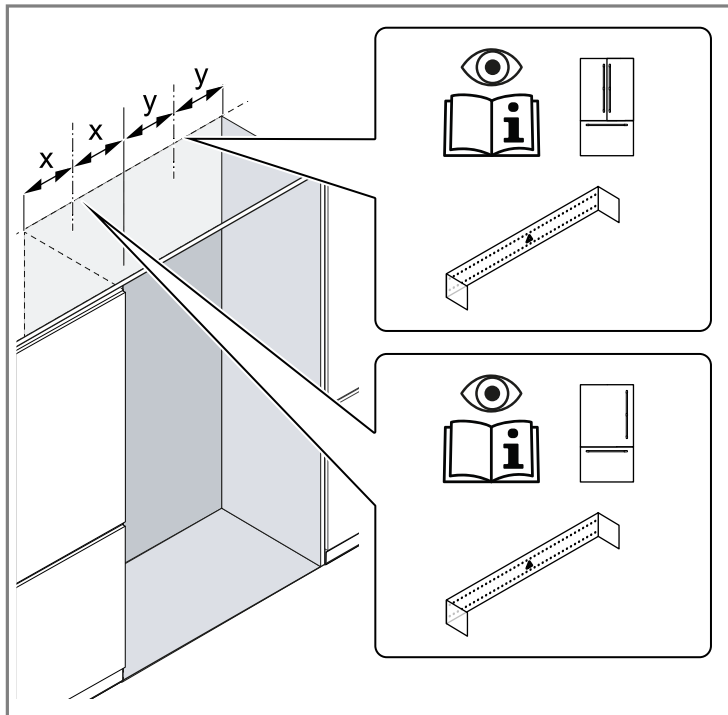
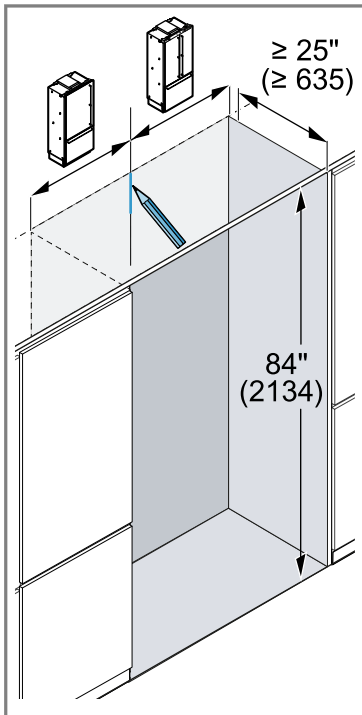
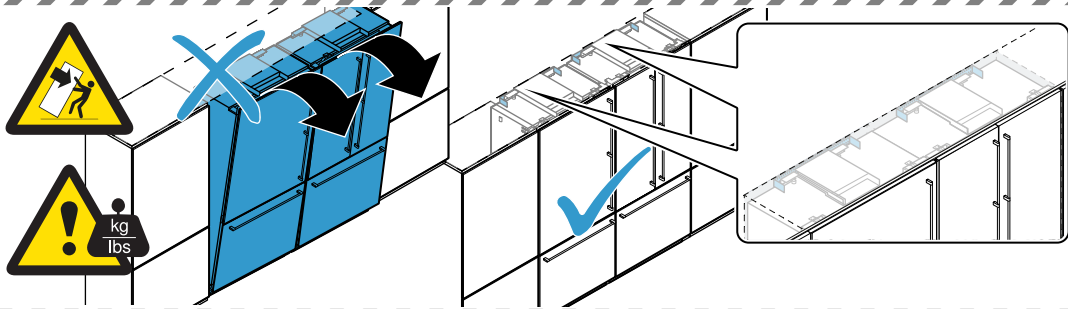
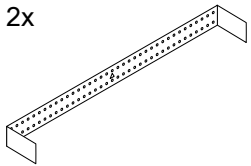


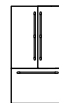
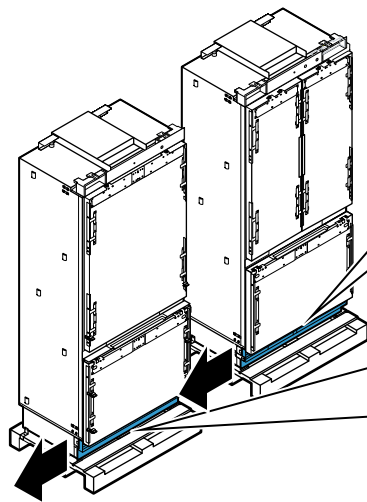
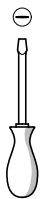
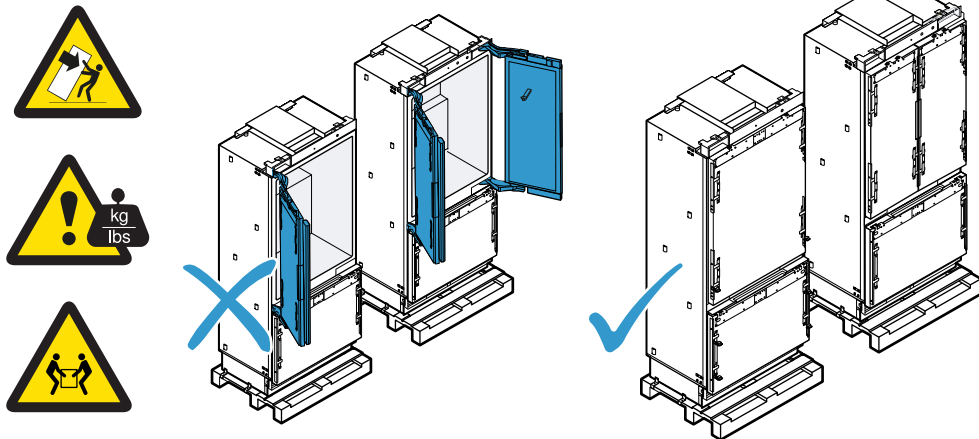
Torx T20

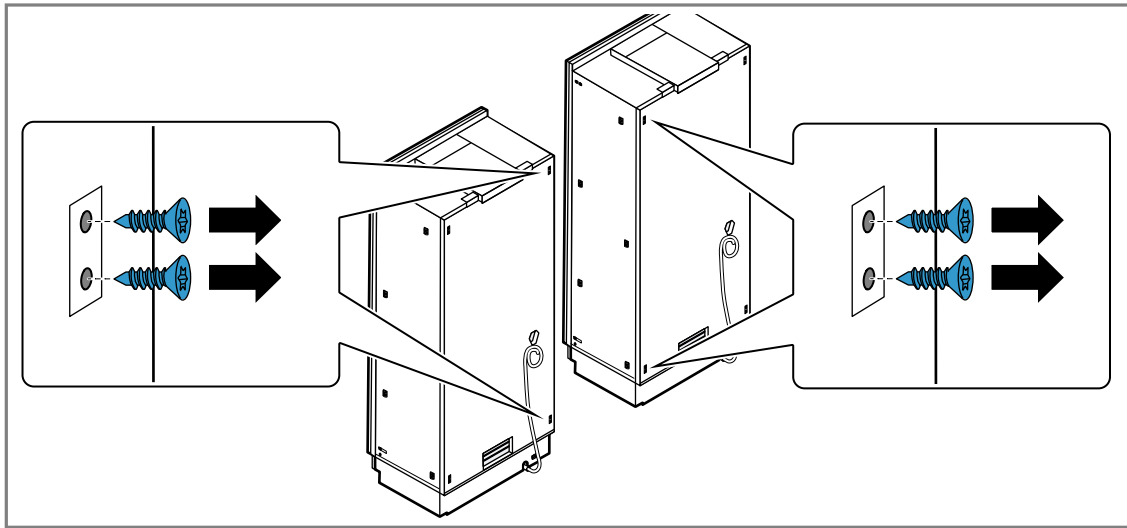
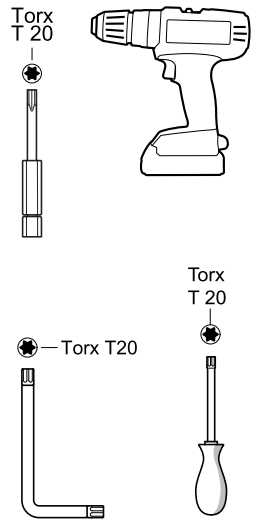
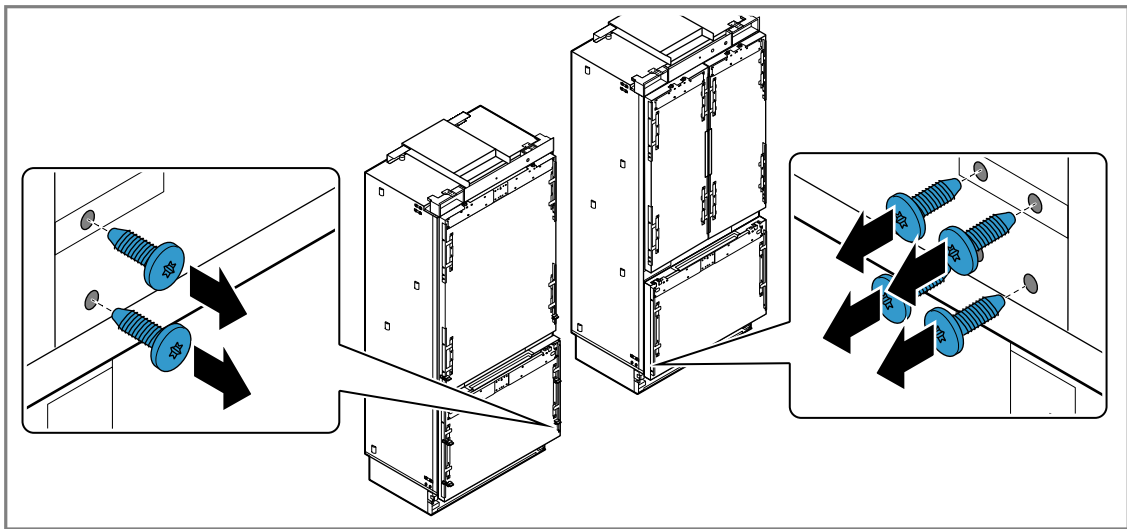


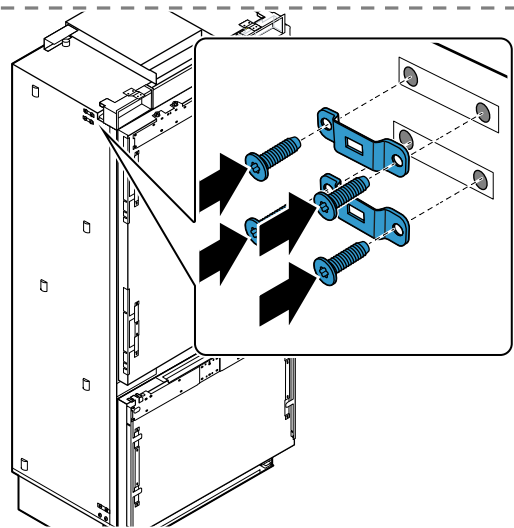
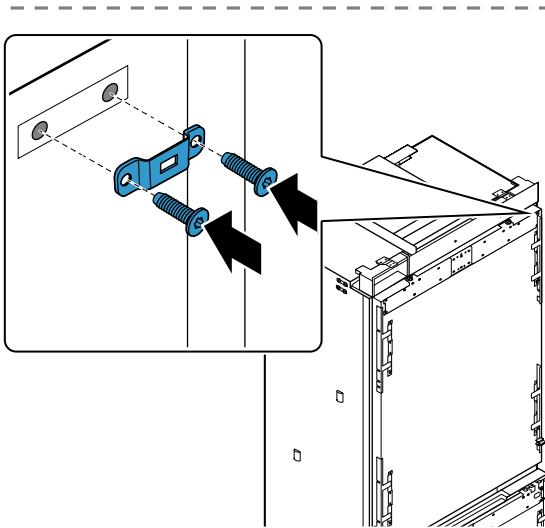
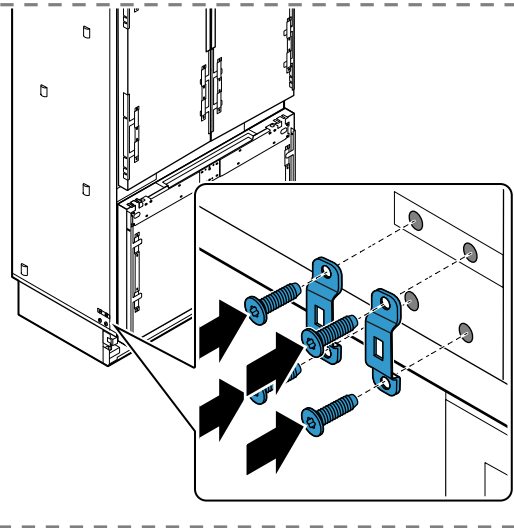
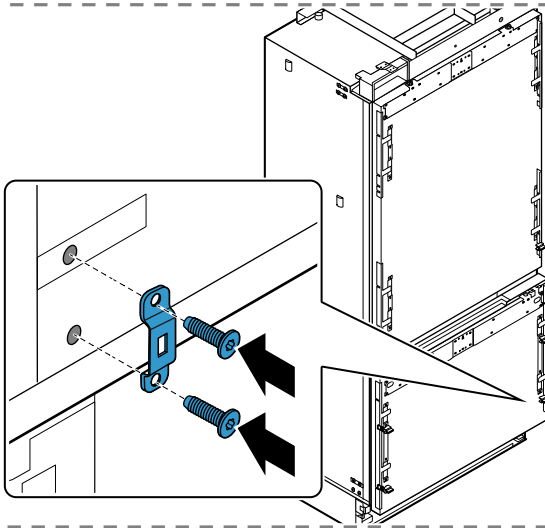
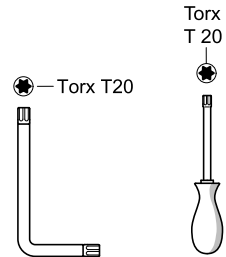
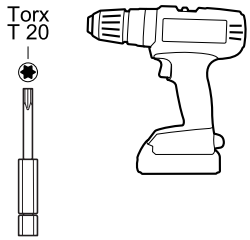
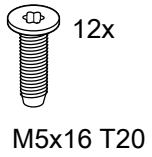
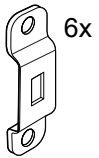


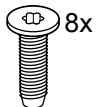
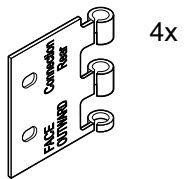
2x









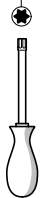


M5x16 T20

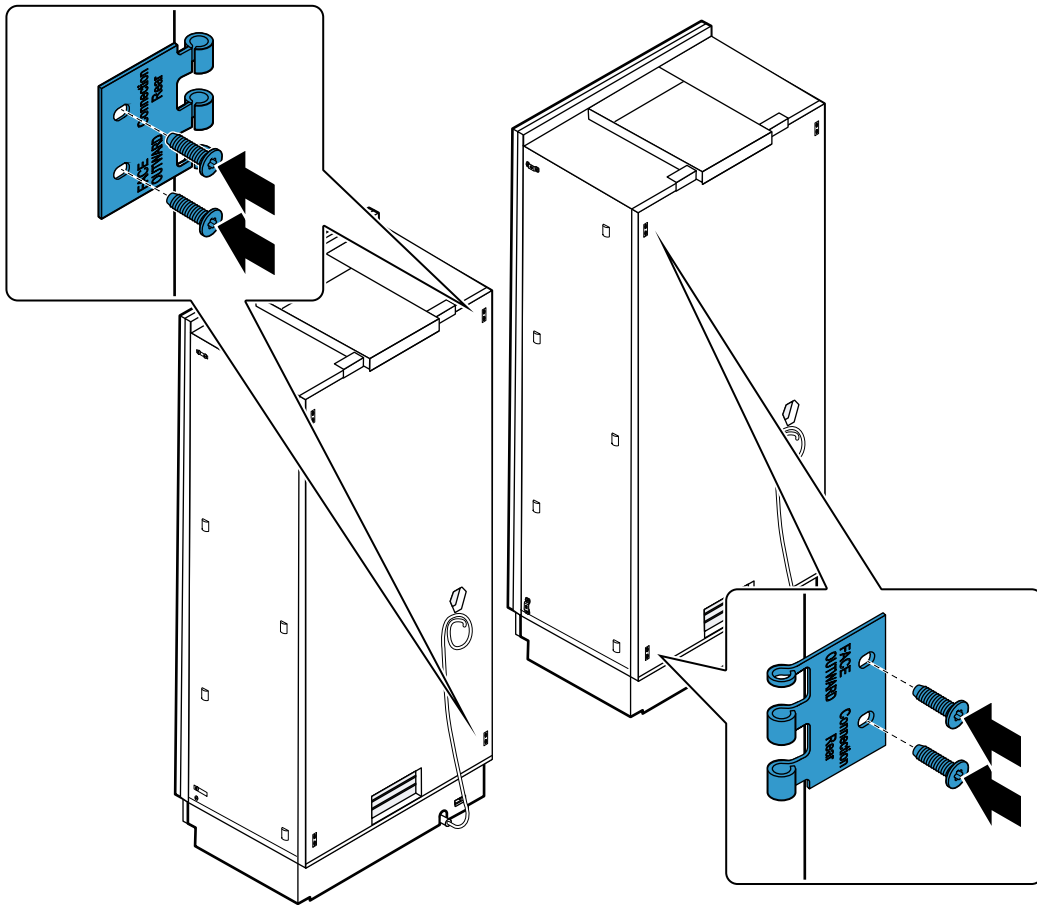
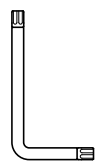
Torx  
T 20



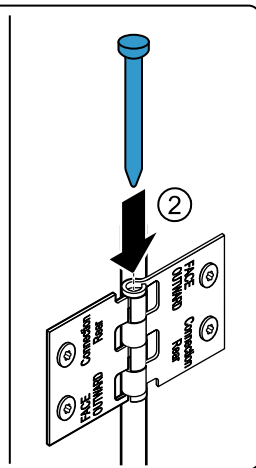
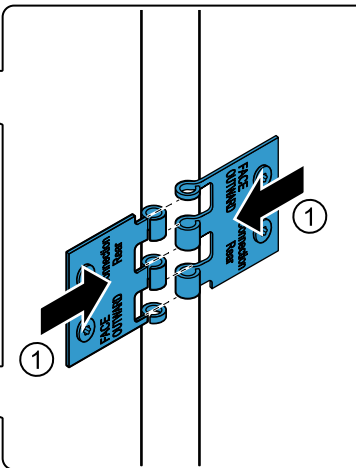
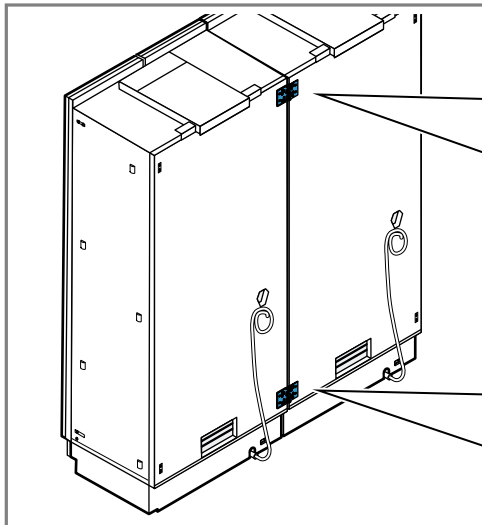
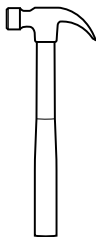
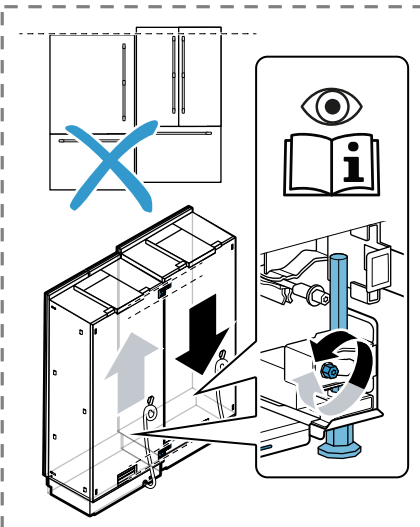
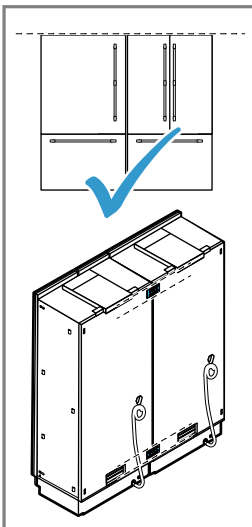
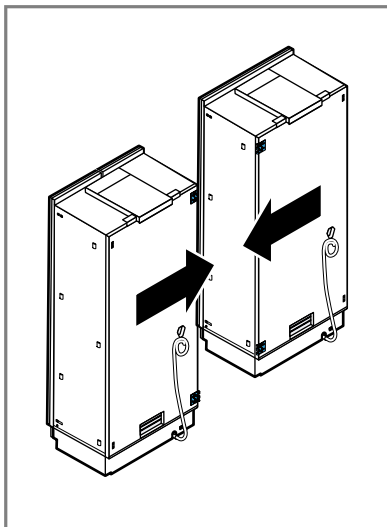
Torx  
T 20

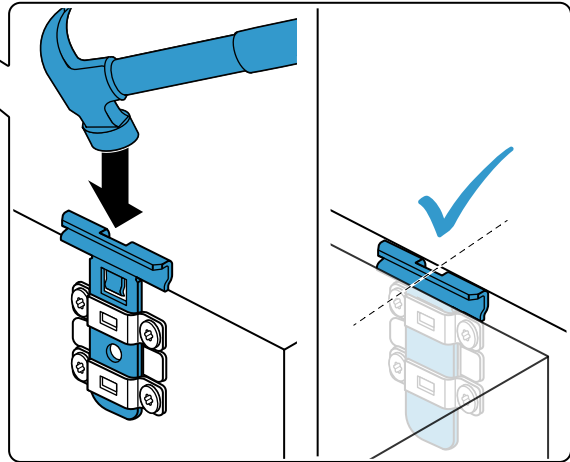
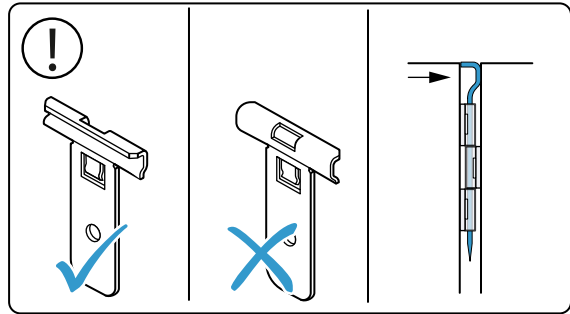
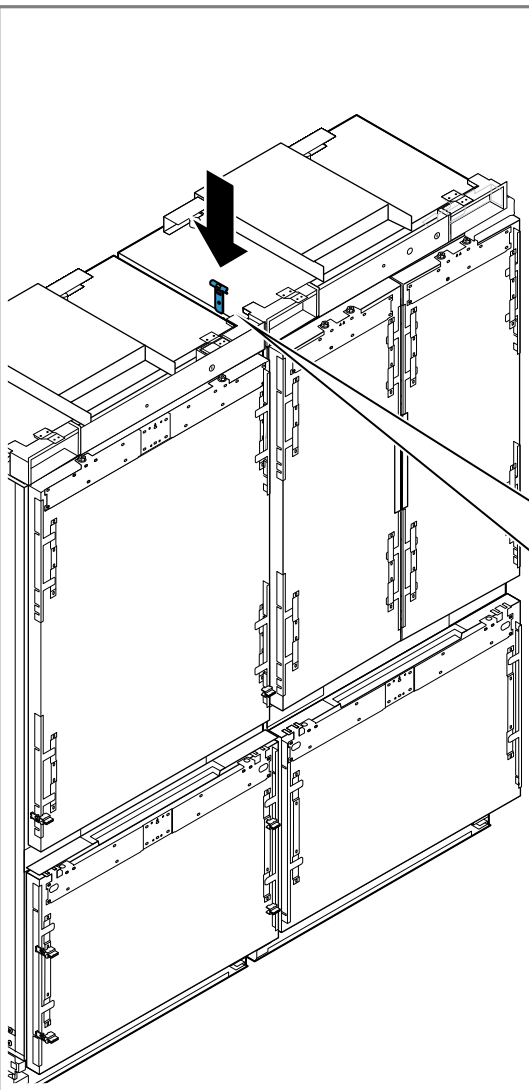
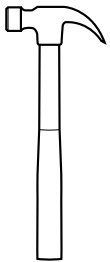
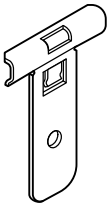


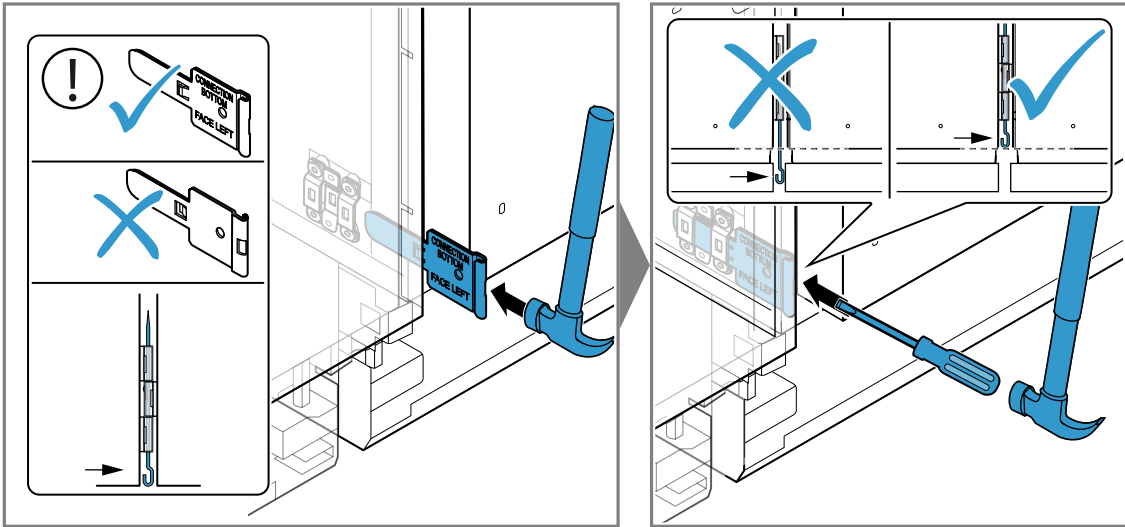
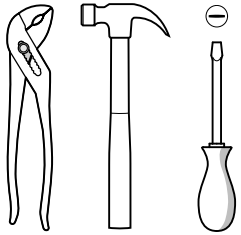
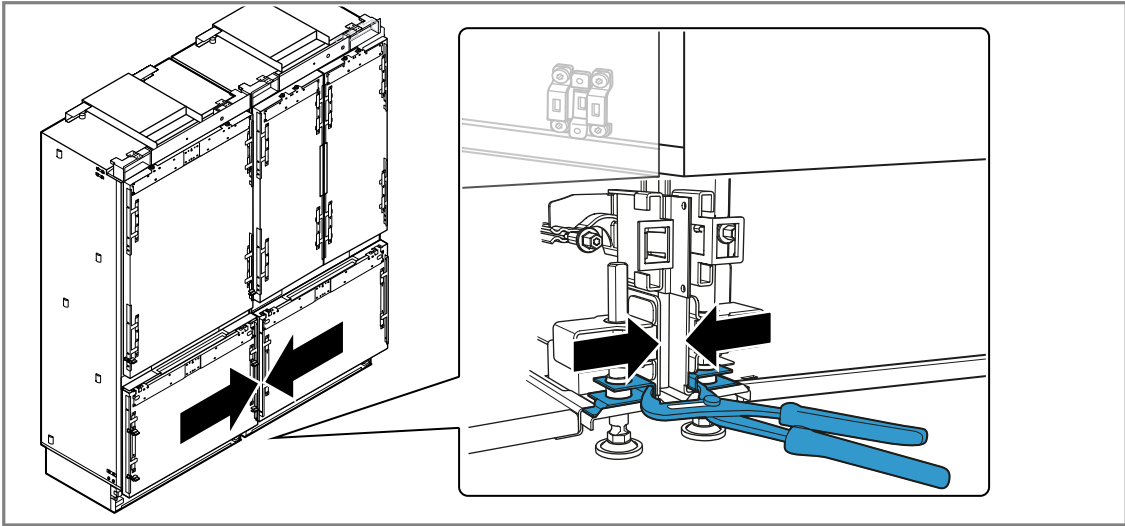
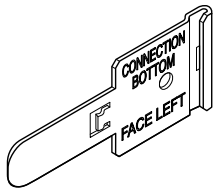
Torx T20

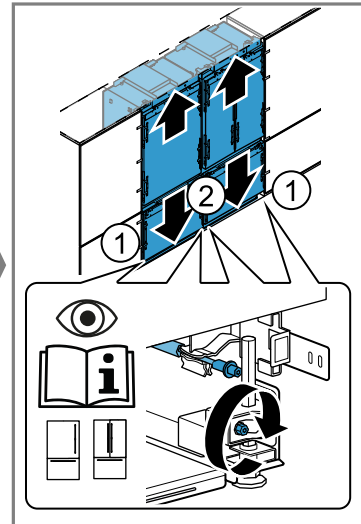
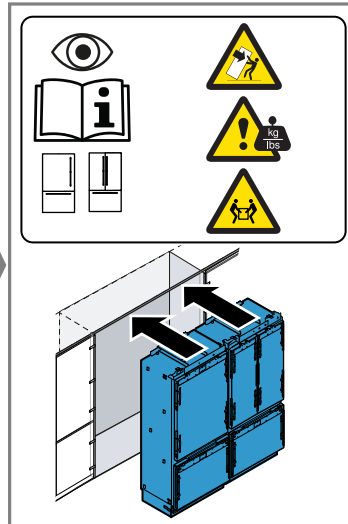
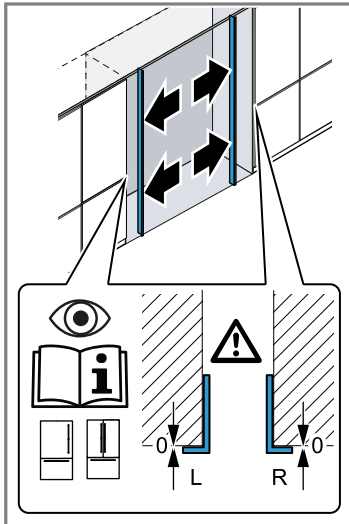
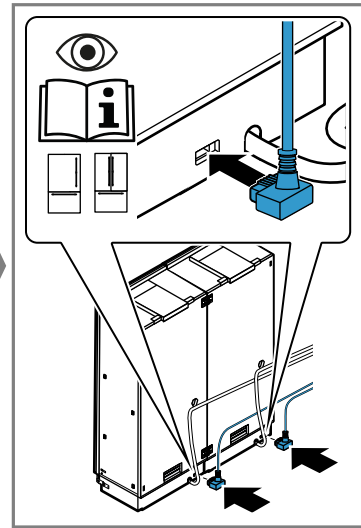
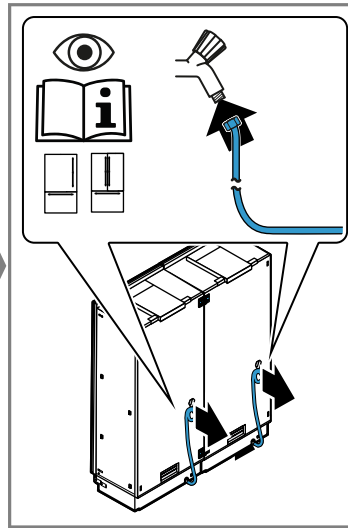
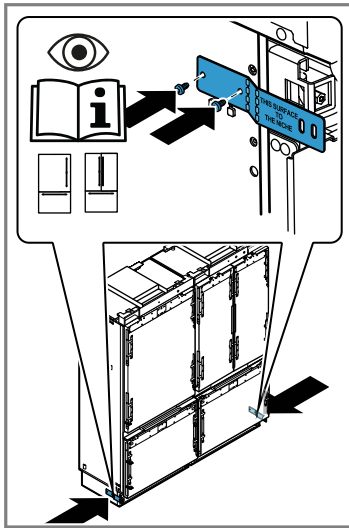
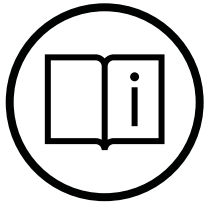


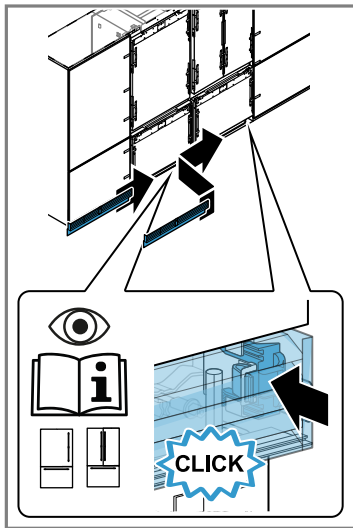
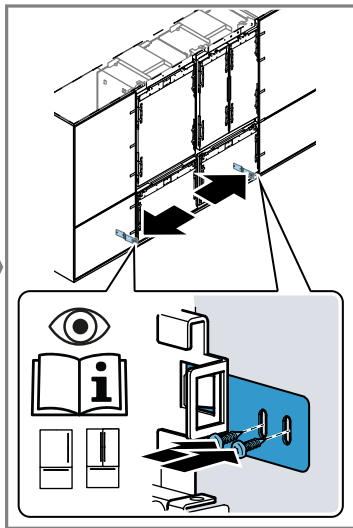
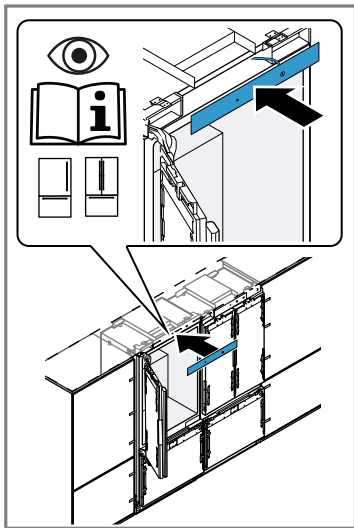
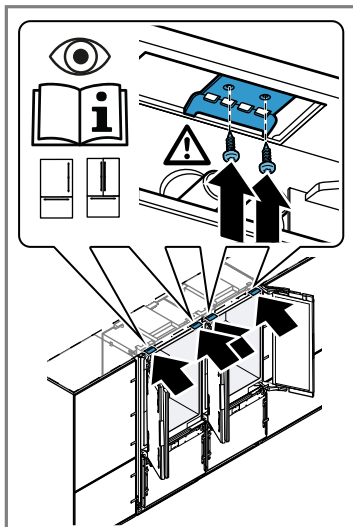
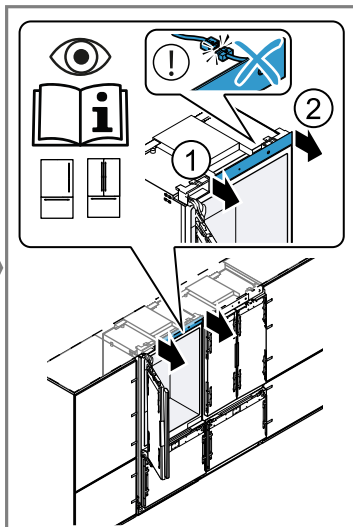
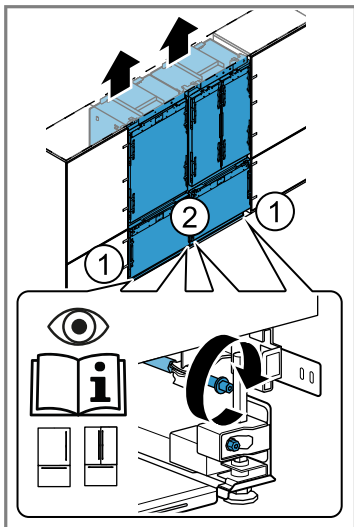
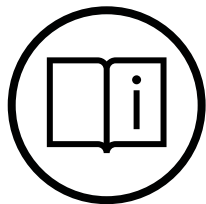
2x

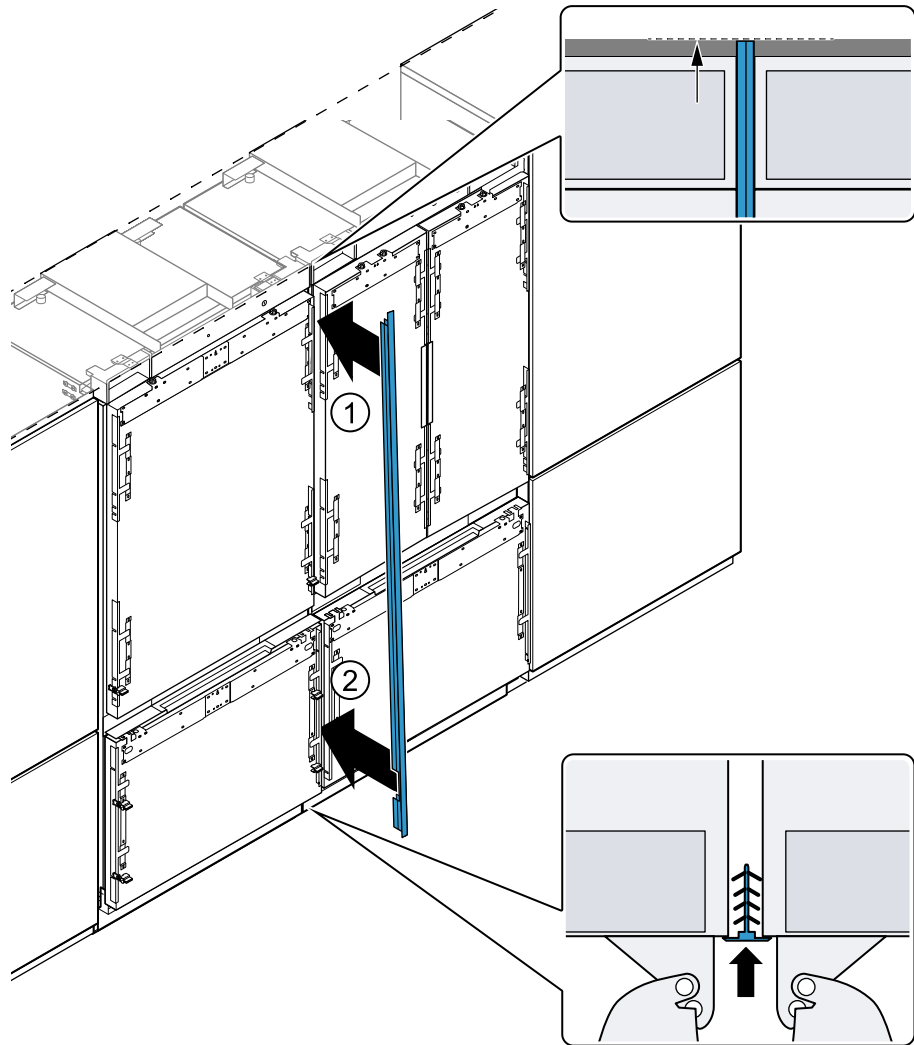


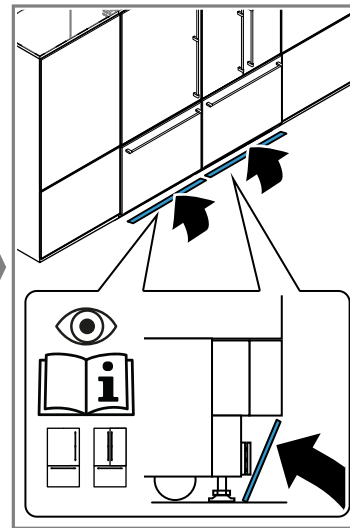
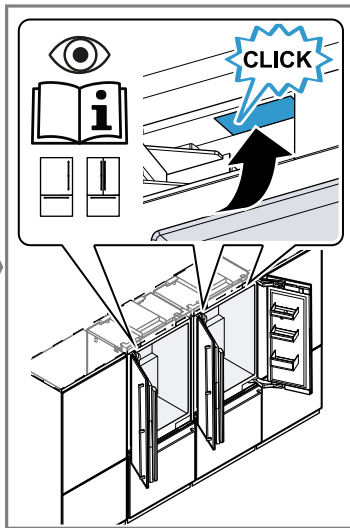
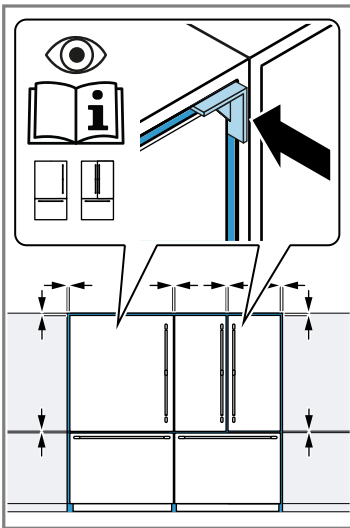
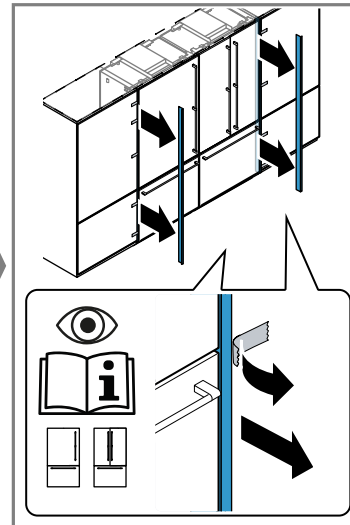
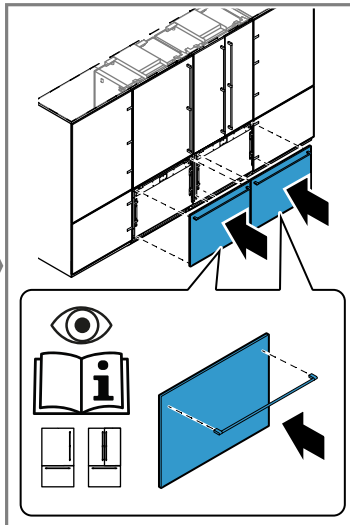
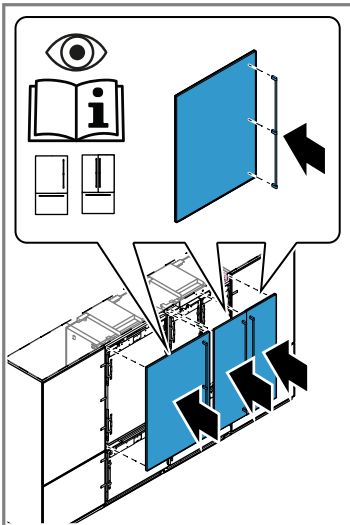
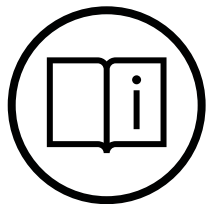


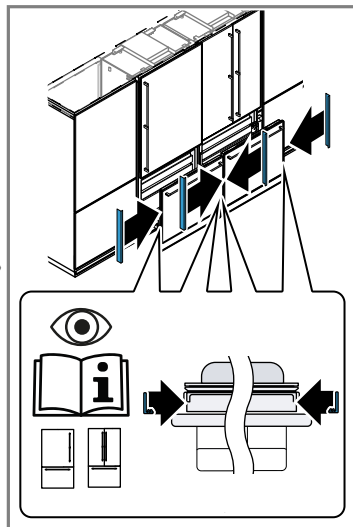
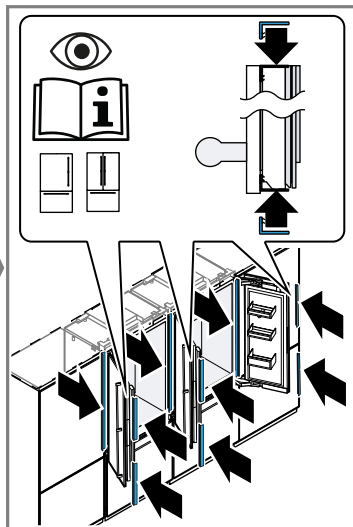
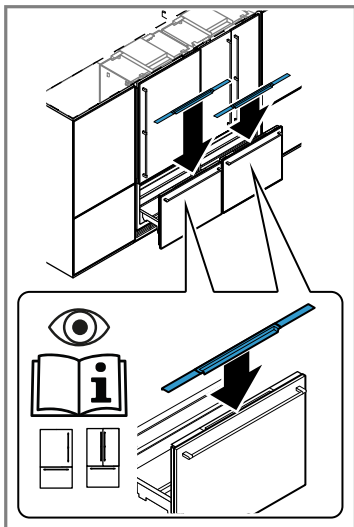
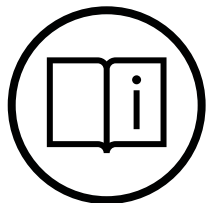


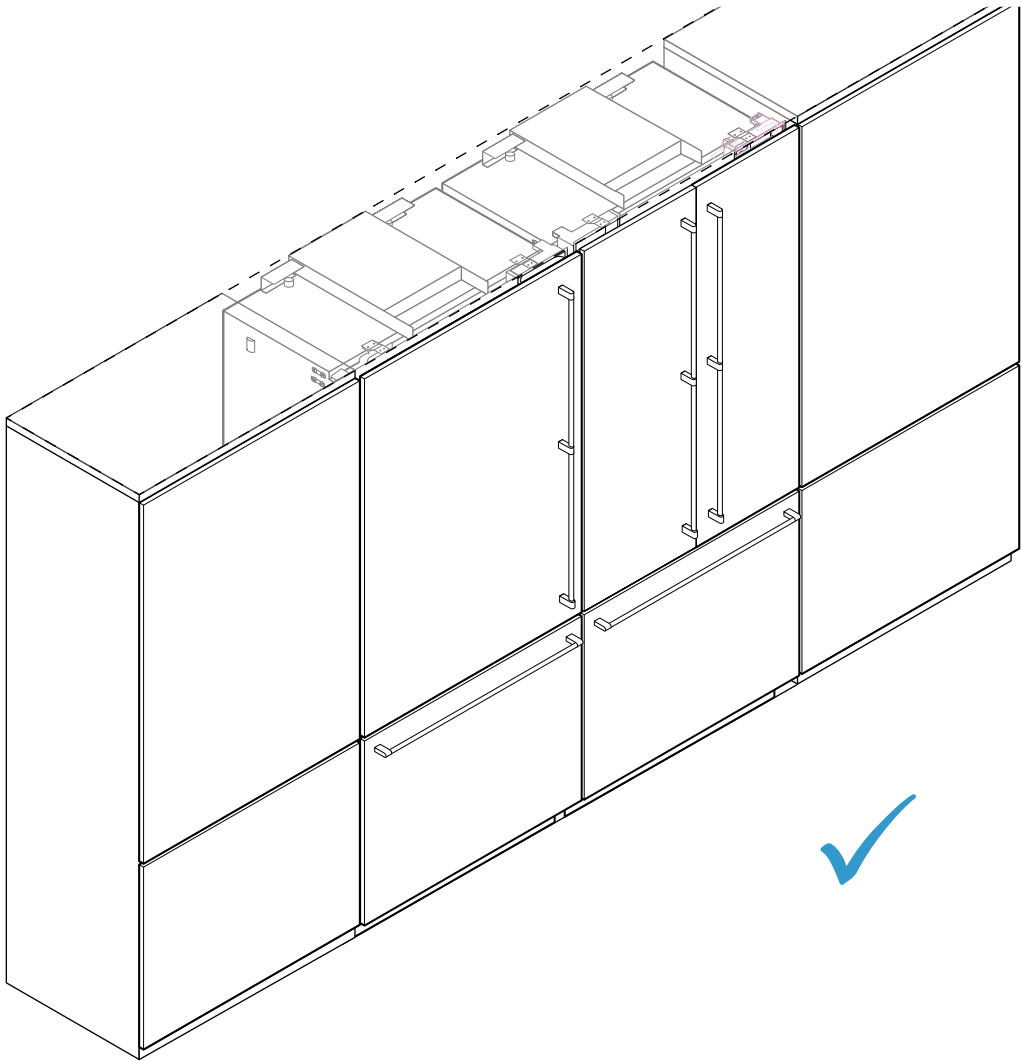














A series of horizontal lines for writing, starting from a vertical margin line on the left and extending across the page.

