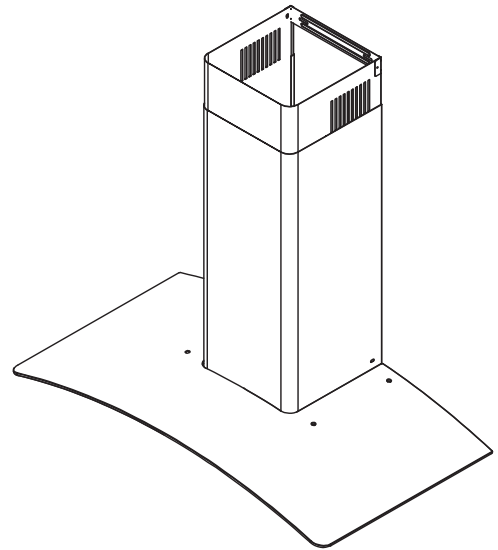


# brisas

BY ZEPHYR

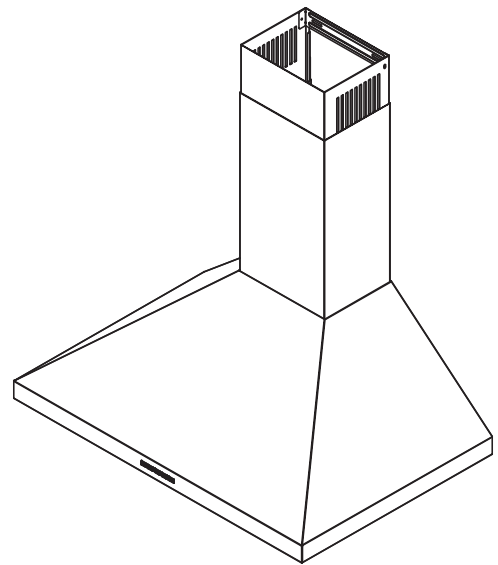
## BMI Wall

BMI-E30DG, BMI-E36DG



## BVE Wall

BVE-E30CS, BVE-E36CS



EN Use, Care, and Installation Guide

FR Guide d'utilisation, d'entretien et d'installation

ACT<sup>™</sup>  
Airflow Control Technology

Register Your Product Today  
[zephyronline.com/registration](http://zephyronline.com/registration)



UL<sup>®</sup> US LISTED



---

	Page
<b>Safety Information .....</b>	<b>4-6</b>
Types of Safety Warnings.....	4
General Safety .....	4-5
Operation .....	5
Electrical Requirements .....	6
<b>List of Materials.....</b>	<b>7</b>
<b>Installation Instructions.....</b>	<b>8-17</b>
Ducting Calculation Sheet.....	8
Mounting Height, Clearance, & Ducting .....	9-10
Ducting Options .....	11
Hood Specifications, BMI .....	12
Hood Specifications, BVE .....	13
Electrical Supply.....	14
Cable Lock .....	14
Mounting the Hood, BMI .....	15
Mounting the Hood, BVE .....	16
Ductless Recirculation .....	17
Recirculating Kit Installation .....	17
<b>Features &amp; Controls.....</b>	<b>18</b>
Electronic Touch .....	18
<b>Maintenance .....</b>	<b>19-20</b>
Hood & Filter Cleaning.....	19-20
LED Light Replacement.....	20
<b>ACT™ Conversion.....</b>	<b>21-22</b>
Airflow Control Technology (ACT™) .....	21
Enabling ACT™ .....	22
<b>Wiring Diagram .....</b>	<b>23</b>
<b>Troubleshooting.....</b>	<b>24-25</b>
<b>List of Parts &amp; Accessories .....</b>	<b>26</b>
<b>Limited Warranty .....</b>	<b>27</b>
<b>Product Registration.....</b>	<b>28</b>

# Safety Information

## READ AND SAVE THESE INSTRUCTIONS

**Your safety and the safety of others are very important.** We have provided many important safety messages in this manual for your appliance. Always read and obey all safety messages.



This is the Safety Alert Symbol. This symbol alerts you to potential hazards that can cause severe bodily injury or death. All safety messages will follow the Safety Alert Symbol and either the words “DANGER” “WARNING” or “CAUTION”

**DANGER**

Danger means that failure to heed this safety statement may result in severe injury or death.

**WARNING**

Warning means that failure to heed this safety statement may result in extensive product damage, serious personal injury, or death.

**CAUTION**

Caution means that failure to heed this safety statement may result in minor or moderate personal injury, property or equipment damage.

### General Safety

**WARNING**

To reduce the risk of fire or electric shock, do not use this fan with any solid-state control device.

**WARNING**

WARNING - TO REDUCE THE RISK OF FIRE, ELECTRIC SHOCK, OR INJURY TO PERSONS, OBSERVE THE FOLLOWING:

- Use this unit only in the manner intended by the manufacturer. If you have questions, contact the manufacturer.
- Before servicing or cleaning unit, switch power off at service panel and lock the service disconnecting means to prevent power from being switched on accidentally. When the service disconnecting means cannot be locked, securely fasten a prominent warning device, such as a tag, to the service panel.
- Do not use replacement parts that have not been recommended by the manufacturer (e.g. parts made at home using a 3D printer).

**CAUTION**

For General Ventilating Use Only. Do Not Use To Exhaust Hazardous Or Explosive Materials And Vapors. Take care when using cleaning agents or detergents. Suitable for use in household cooking area.

**WARNING**

WARNING - TO REDUCE THE RISK OF A RANGE TOP GREASE FIRE:

- Never leave surface units unattended at high settings. Boilovers cause smoking and greasy spillovers that may ignite. Heat oils slowly on low or medium settings.
- Always turn hood ON when cooking at high heat or when flambeing food. (i.e. Crepes Suzette, Cherries Jubilee, Peppercorn Beef Flambe’).
- Clean ventilating fans frequently. Grease should not be allowed to accumulate on fan or filter.
- Use proper pan size. Always use cookware appropriate for the size of the surface element.

**CAUTION**

To reduce risk of fire and to properly exhaust air outside, do not vent exhaust air into spaces within walls, ceilings, attics, crawl spaces, or garages.

## READ AND SAVE THESE INSTRUCTIONS



WARNING - TO REDUCE THE RISK OF INJURY TO PERSONS IN THE EVENT OF A RANGE TOP GREASE FIRE, OBSERVE THE FOLLOWING<sup>o</sup>:

- a) SMOTHER FLAMES with a close-fitting lid, cookie sheet, or metal tray, then turn off the burner. BE CAREFUL TO PREVENT BURNS. If the flames do not go out immediately, EVACUATE AND CALL THE FIRE DEPARTMENT.
- b) NEVER PICK UP A FLAMING PAN – You may be burned.
- c) DO NOT USE WATER, including wet dishcloths or towels – a violent steam explosion will result.
- d) Use an extinguisher ONLY if:
  - 1) You know you have a Class ABC extinguisher, and you already know how to operate it.
  - 2) The fire is small and contained in the area where it started.
  - 3) The fire department is being called.
  - 4) You can fight the fire with your back to an exit

<sup>o</sup>Based on “Kitchen Firesafety Tips” published by NFPA.

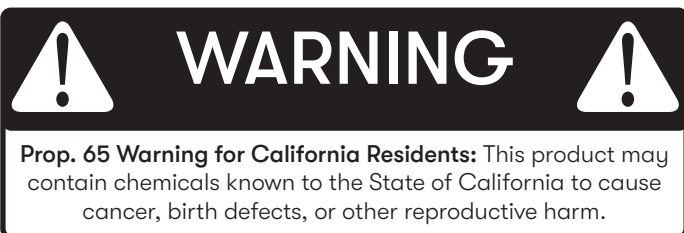


WARNING - TO REDUCE THE RISK OF FIRE, ELECTRIC SHOCK, OR INJURY TO PERSONS, OBSERVE THE FOLLOWING:

- a) Installation work and electrical wiring must be done by qualified person(s) in accordance with all applicable codes and standards, including fire-rated construction.
- b) Sufficient air is needed for proper combustion and exhausting of gases through the flue (chimney) of fuel burning equipment to prevent back drafting. Follow the heating equipment manufacturer’s guideline and safety standards such as those published by the National Fire Protection Association (NFPA), and the American Society for Heating, Refrigeration and Air Conditioning Engineers (ASHRAE), and the local code authorities.
- c) When cutting or drilling into wall or ceiling, do not damage electrical wiring and other hidden utilities.
- d) Ducted fans must always be vented to the outdoors.
- e) If this unit is to be installed over a tub or shower, it must be marked as appropriate for the application and be connected to a GFCI (Ground Fault Circuit Interrupter) - protected branch circuit.

### Operation

- ▶ Always leave safety grilles and filters in place. Without these components, operating blowers could catch onto hair, fingers and loose clothing.
- ▶ The manufacturer declines all responsibility in the event of failure to observe the instructions given here for installation, maintenance and suitable use of the product. The manufacturer further declines all responsibility for injury due to negligence and the warranty of the unit automatically expires due to improper maintenance.
- ▶ There shall be adequate ventilation of the room when the range hood is used at the same time as appliances burning gas or other fuels.
- ▶ There is a fire risk if cleaning is not carried out in accordance with the instructions.
- ▶ Do not flame under the range hood.
- ▶ The air must not be discharged into a flue that is used for exhausting fumes from appliances burning gas or other fuels.
- ▶ If the SUPPLY CORD is damaged, it must be replaced by the manufacturer, its service agent or similarly qualified persons in order to avoid a hazard.



# Safety Information

## READ AND SAVE THESE INSTRUCTIONS

### Electrical Requirements

#### Important:

- ▶ Observe all governing codes and ordinances.
- ▶ It is the customer's responsibility to be aware of these below:
- ▶ To contact a qualified electrical installer.
- ▶ To assure that the electrical installation is adequate and in conformance with National Electrical Code, ANSI/NFPA 70 latest edition\* or CSA standards C22.1-94, Canadian Electrical Code, Part 1 and C22.2 No.0-M91 - latest edition\*\* and all local codes and ordinances.
- ▶ If codes permit and a separate ground wire is used, it is recommended that a qualified electrician determine that the ground path is adequate.
- ▶ Do not ground to a gas pipe.
- ▶ Check with a qualified electrician if you are not sure the range hood is properly grounded.
- ▶ Do not have a fuse in the neutral or ground circuit.
- ▶ This appliance requires a 120V 60Hz electrical supply and connected to an individual properly grounded branch circuit protected by a 15 or 20 ampere circuit breaker or time delay fuse. Wiring must be 2 wire with ground. Please also refer to Electrical Diagram on product.
- ▶ Instructions for bonding the appliance to ground:  
The grounding-type attachment plug provided with this appliance shall be connected to a grounding-type receptacle installed in accordance with CSA C22.1, Canadian Electrical Code, Part I. In the event of an electrical short circuit, bonding to ground reduces the risk of electric shock.  
**WARNING:** Improper bonding to ground can result in a risk of electric shock.  
Consult a qualified electrician if the grounding instructions are not completely understood, or if doubt exists as to whether the appliance is properly bonded to ground. Do not use an extension cord. If the power supply cord is too short, have a qualified electrician install an outlet near the appliance.
- ▶ A cable locking connector (not supplied) might also be required by local codes. Check with local requirements, purchase and install appropriate connector if necessary.

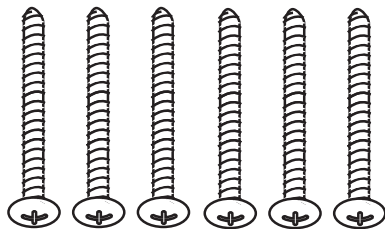
\* National Fire Protection Association Batterymarch Park, Quincy, Massachusetts 02269

\*\* CSA International 8501 East Pleasant Valley Road, Cleveland, Ohio 44131-5575

### Parts Supplied

Quantity	Part
1	Hood with internal blower
2	Duct covers, 1 upper & 1 lower
1	Duct cover bracket
1	Aluminum mesh filters (2 for BMI)
2	LED lights (pre-installed)
1	6" round collar with backdraft damper
1	Glass canopy (BMI only)
1	Hardware package

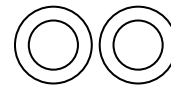
(6) M4 x 38



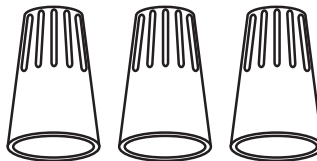
(2) M4 x 12



(2) Washers



(3) Wire Nuts


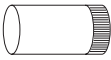
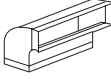
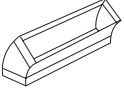

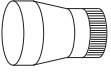
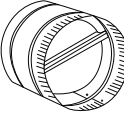
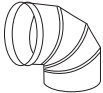



### Parts Not Supplied

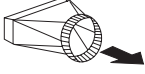
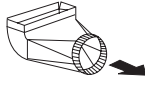

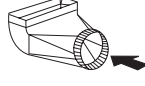
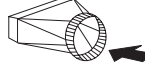
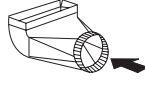
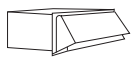
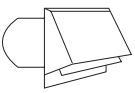

Ducting, conduit and all installation tools
Cable locking connector (if required by local codes)
Extension duct covers (B1C-00MI for BMI, B1C-00VE for BVE)
Recirculating kit (BRC-0106 for BMI, BRC-0108 for BVE)

# Installation Instructions

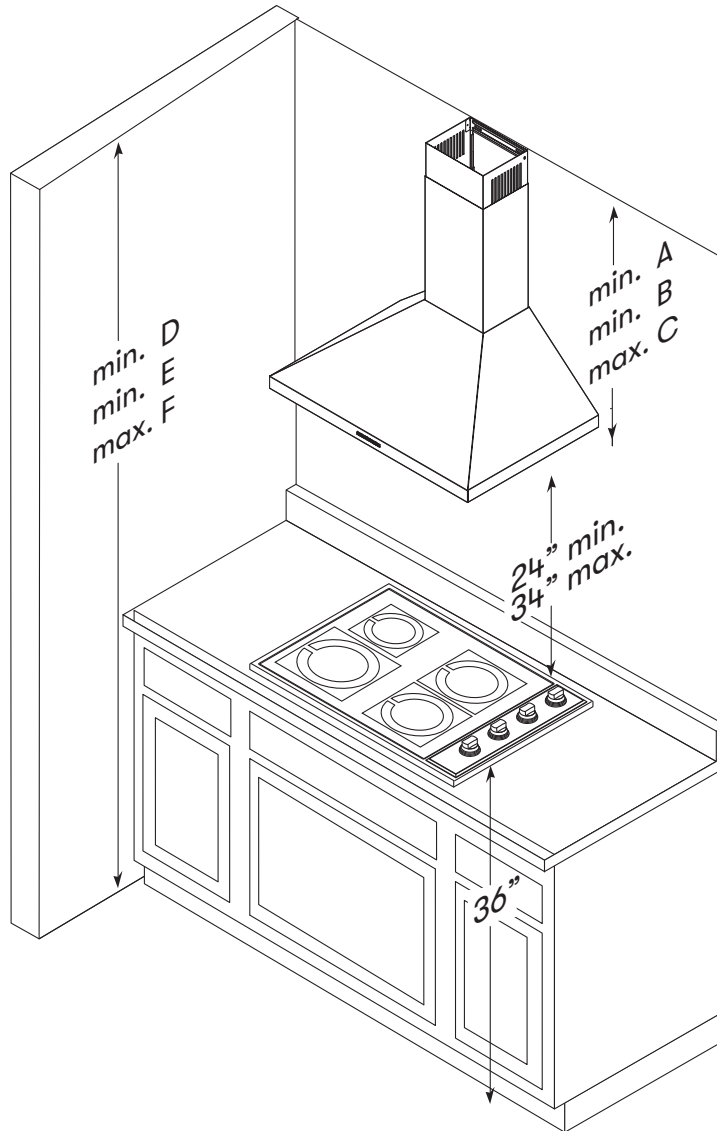
## Ducting Calculation Sheet

Duct pieces		Equivalent number length x used =	Total
	3-1/4" x 10" Rect., straight	1 Ft. x ( ) =	Ft.
	6", 7", 8", 10" Round, straight	1 Ft. x ( ) =	Ft.
	3-1/4" x 10" Rect. 90° elbow	15 Ft. x ( ) =	Ft.
	3-1/4" x 10" Rect. 45° elbow	9 Ft. x ( ) =	Ft.
	3-1/4" x 10" Rect. 90° flatelbow	24 Ft. x ( ) =	Ft.
	7" to 6" or 8" to 7" Round tapered reducer	25 Ft. x ( ) =	Ft.
	6", 7", 8" Round in-line damper	15 Ft. x ( ) =	Ft.
	6", 7", 8", 10" Round, 90° elbow	15 Ft. x ( ) =	Ft.
	6", 7", 8", 10" Round, 45° elbow	9 Ft. x ( ) =	Ft.
Subtotal column 1 =			Ft.

**Maximum Duct Length:** For satisfactory air movement, the total duct length should not exceed 150 equivalent feet.

Duct pieces		Equivalent number length x used =	Total
	3-1/4" x 10" Rect. to 6" round transition	5 Ft. x ( ) =	Ft.
	3-1/4" x 10" Rect. to 6" round transition 90° elbow	20 Ft. x ( ) =	Ft.
	6" round to 3-1/4" x 10" rect. transition	1 Ft. x ( ) =	Ft.
	6" round to 3-1/4" x 10" rect. transition 90° elbow	16 Ft. x ( ) =	Ft.
	7" round to 3-1/4" x 10" rect. transition	8 Ft. x ( ) =	Ft.
	7" round to 3-1/4" x 10" rect. transition 90° elbow	23 Ft. x ( ) =	Ft.
	3-1/4" x 10" Rect. wall cap with damper	30 Ft. x ( ) =	Ft.
	6", 7", 8", 10" Round, wall cap with damper	30 Ft. x ( ) =	Ft.
	6", 7", 8", 10" Round roof cap	30 Ft. x ( ) =	Ft.
Subtotal column 2 =			Ft.
Subtotal column 1 =			Ft.
Total ductwork =			Ft.

## Mounting Height, Clearance, & Ducting



	BMI Standard Duct Cover	BMI Extension Duct Cover	BVE Standard Duct Cover	BVE Extension Duct Cover
<b>Hood Heights</b>				
minimum (A)	21-1/2"	41-1/2"	27-1/2"	45"
min. recirc. (B)	25"	46"	31"	49"
maximum (C)	36-1/2"	80"	42"	76-1/2"
<b>Ceiling Heights</b>				
minimum (D)	81-1/2"	101-1/2"	87-1/2"	105"
min. recirc. (E)	85"	106"	91"	109"
maximum (F)	106-1/2"	150"	112"	146-1/2"

# Installation Instructions

---

## Mounting Height, Clearance, & Ducting

A minimum of 6" round duct is recommended to maintain maximum air flow efficiency.

Always use rigid type metal ducts only. Flexible ducts could restrict air flow by up to 50%.

Also use the ducting calculation sheet (on page 8) to compute total available duct run when using elbows, transitions and caps.

ALWAYS, when possible, reduce the number of transitions and turns. If long duct run is required, increase duct size.

If turns or transitions are required; install as far away from hood duct output and as far apart, between the two as possible.

Minimum mount height between range top to hood bottom should be no less than 24".

Maximum mount height should be no higher than 34".


It is important to install the hood at the proper mounting height. Hoods mounted too low could result in heat damage and fire hazard; while hoods mounted too high will be hard to reach and will lose its performance and efficiency.

If available, also refer range manufacturer's height clearance requirements and recommended hood mounting height above range. Always check your local codes for any differences.


### For shipment and installation damages:

- ▶ Please fully inspect unit for damage before installation.
- ▶ If the unit is damaged in shipment, return the unit to the store in which it was bought for repair or replacement.
- ▶ If the unit is damaged by the customer, repair or replacement is the responsibility of the customer.
- ▶ If the unit is damaged by the installer (if other than the customer), repair or replacement must be made by arrangement between customer and installer.

## Ducting Options

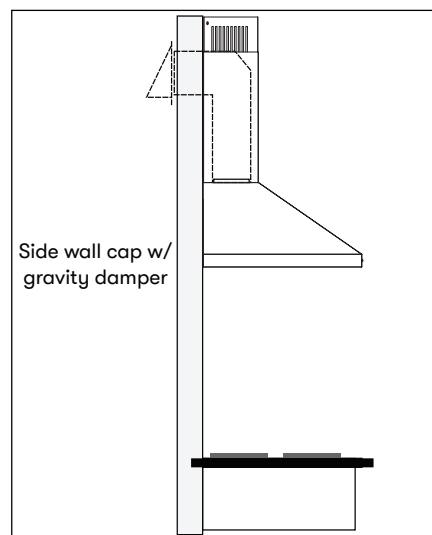
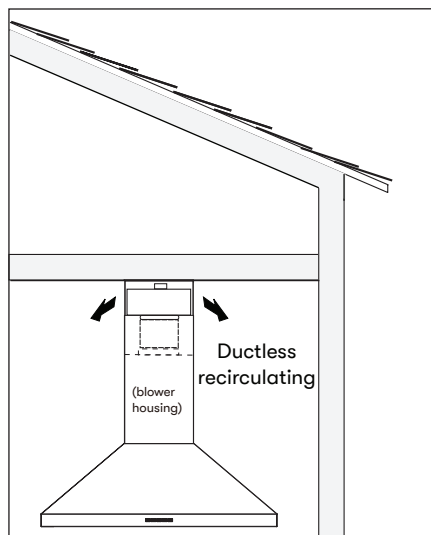
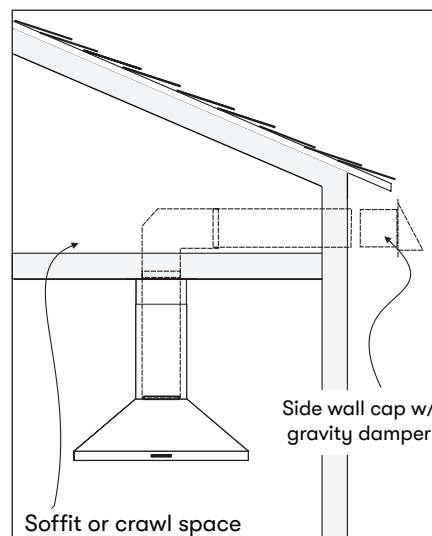
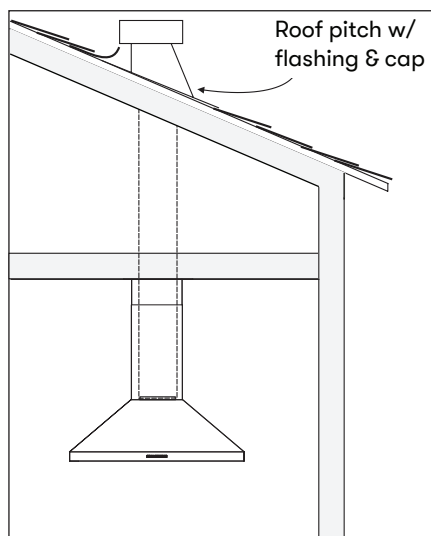


# WARNING



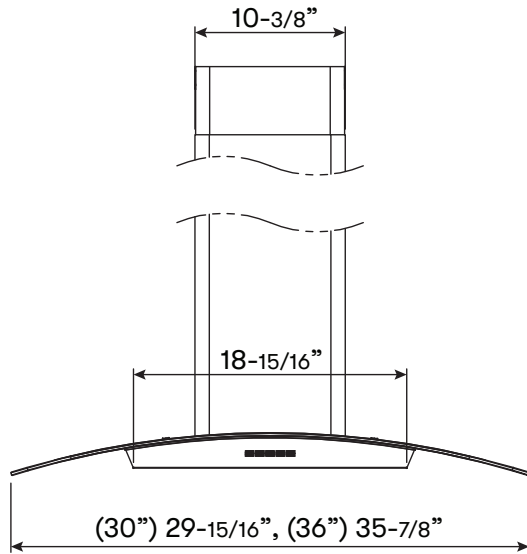
**Fire Hazard:** NEVER exhaust air or terminate ductwork into spaces between walls, crawl spaces, ceilings, attics, or garages. All exhaust must be ducted to the outside, unless using the recirculating option.

- ▶ Use single wall rigid metal ductwork only.
- ▶ Fasten all connections with sheet metal screws and tape all joints w/ certified Silver Tape or Duct Tape.

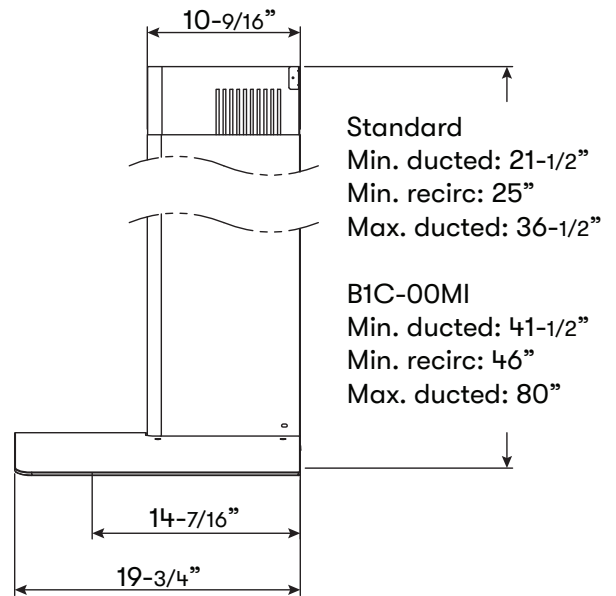


# Installation Instructions

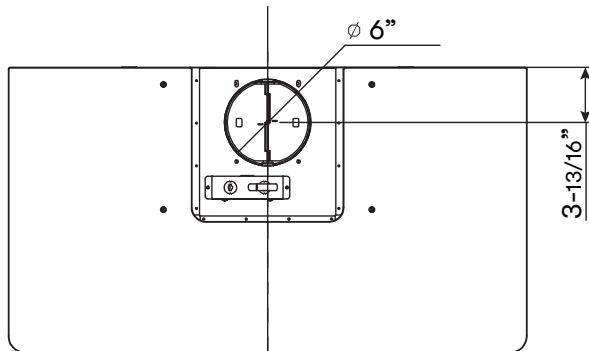
## Hood Specifications, BMI



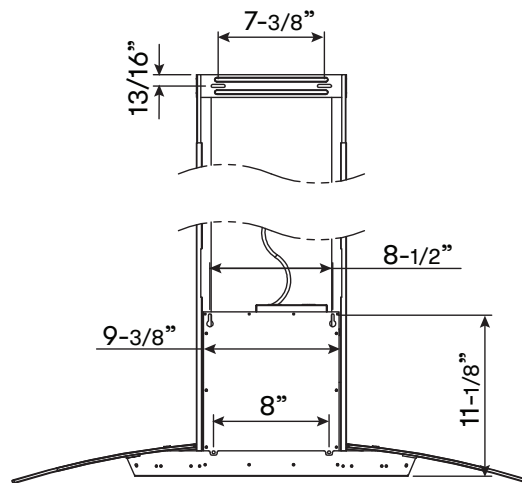
FRONT



SIDE

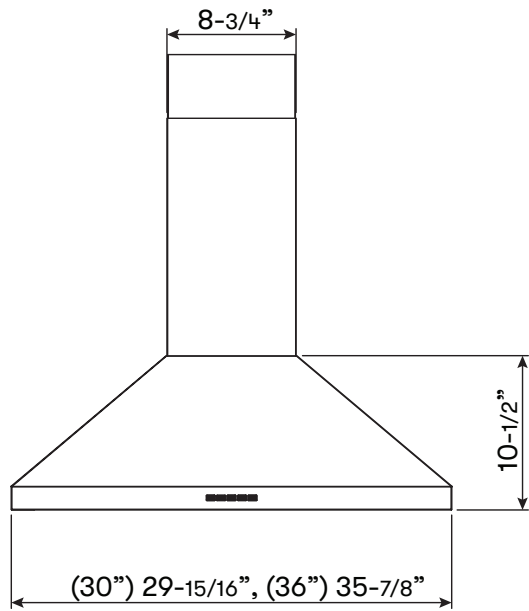


TOP

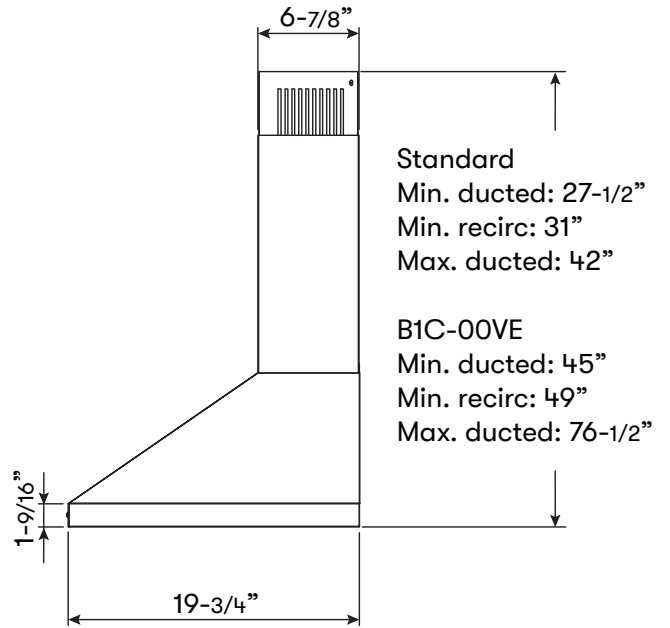


BACK

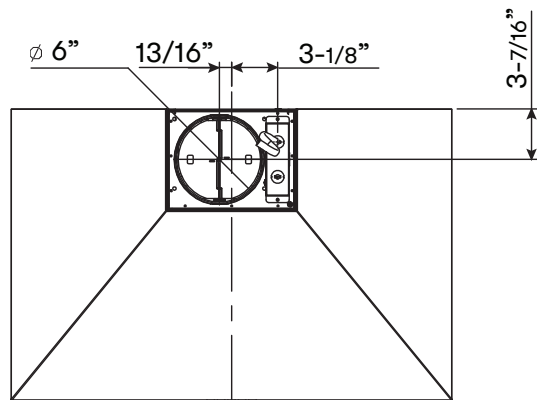
## Hood Specifications, BVE



**FRONT**

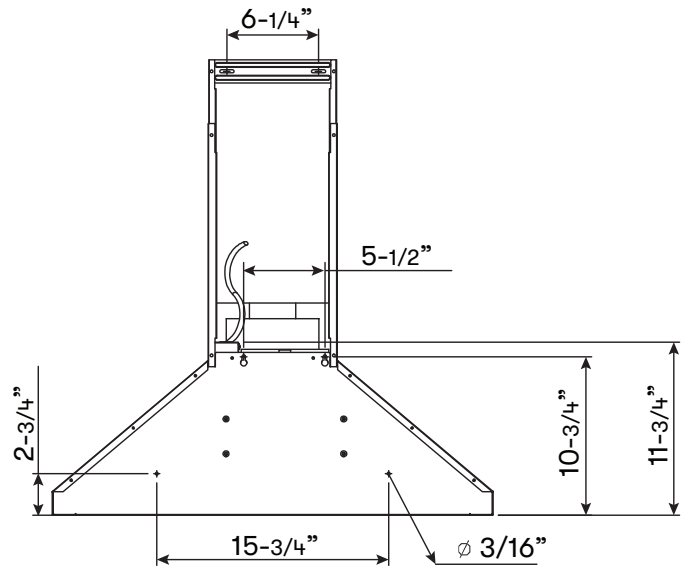


**SIDE**



**C/L**

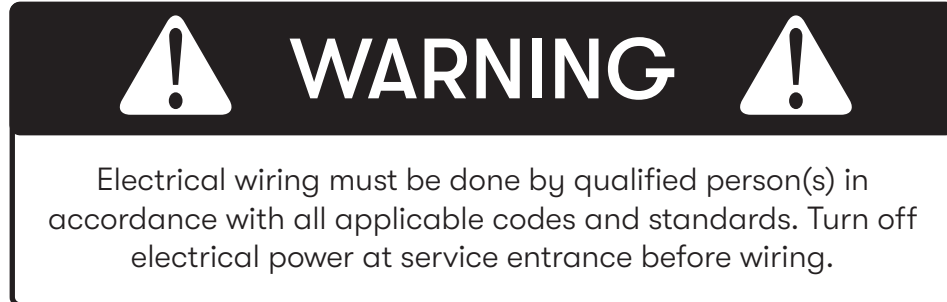
**TOP**



**BACK**

# Installation Instructions

## Electrical Supply



For personal safety, remove house fuse or open circuit breaker before beginning installation. Do not use extension cord or adapter plug with this appliance.

**Follow national electrical codes or prevailing local codes and ordinances.**

This appliance requires a 120V 60Hz electrical supply, and connected to an individual, properly grounded branch circuit, protected by a 15 or 20 ampere circuit breaker or time delay fuse. Wiring must be 2 wire w/ ground. Please also refer to the Electrical Diagram labeled on product.

## Cable Lock

A cable locking connector (not supplied) might be required by local codes. Check with local requirements and codes, purchase and install appropriate connector if necessary. (FIG. A)

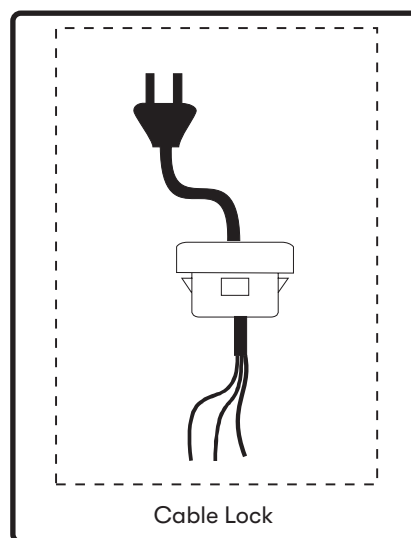
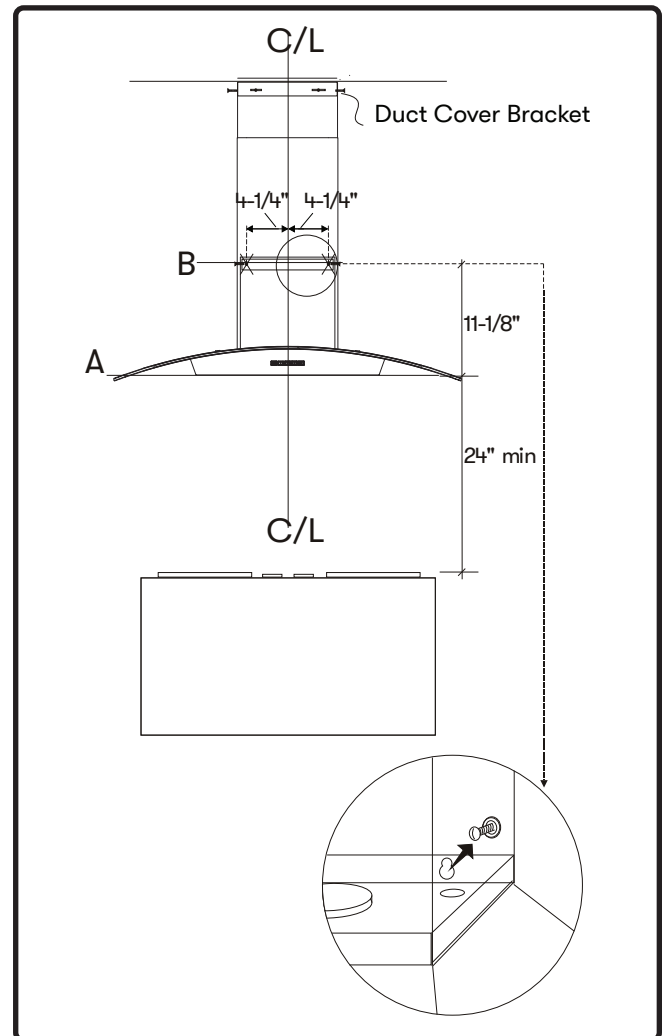


FIG. A

## Mounting the Hood, BMI

1. Measure from range top to hood bottom and mark line A. (24" minimum from range top).
2. Plum and mark center line.  
Mark mounting height line B. (11-1/8" from line A)  
Mark mounting spread from C/L on line B. From center line to left and right mount mark (4-1/4").
3. Fasten (2) M4 x 38 screws into studs on line B. Do not fasten screws all the way, leave approximately 3/8" exposed.  
**NOTE:** Wood blocking may need to be added behind the drywall if no studs are present. Wall anchors may also be used but check local codes for compliance. Failure to use suitable wall anchors and screws to hold the weight of the hood could result in personal injury or damage to cooking surface or counter.
4. Hang hood onto screws and hand tighten. (FIG. B). Use the last M4 x 38 screws with washers to further secure the hood to the wall from inside the hood.
5. Center and attach duct cover bracket to wall below ceiling or soffit using (2) M4 x 38 screws.
6. Install electrical.
7. Install duct work and duct tape.  
**NOTE:** If using hood in recirculating mode, you must secure the air diverter plate onto the wall before installing duct work and duct covers. Refer to ductless recirculating section for more details.
8. Power up hood and check for leaks around duct tape.
9. Place telescopic duct covers onto hood and extend inner (top) duct cover upwards and secure to duct cover bracket using (2) M4x12 screws.



**FIG. B**

# Installation Instructions

## Mounting the Hood, BVE

1. Measure from range top to hood bottom and mark line A. (24" minimum from range top).
2. Plum and mark center line.  
Mark mounting height line B. (10-3/4" from line A)  
Mark mounting height line C. (2-3/4" from line A)
3. Mark mounting spread from C/L on line B from center line to left mount mark (3-1/2"). From center line to right mount, mark (2"). Mark mounting spread from C/L on line C. From center line to left and right mount, mark (7-7/8")
4. Fasten (2) M4 x 38 screws into studs on line B. Do not fasten screws all the way, leave approximately 3/8" exposed.  
**NOTE:** Wood blocking may need to be added behind the drywall if no studs are present. Wall anchors may also be used but check local codes for compliance. Failure to use suitable wall anchors and screws to hold the weight of the hood could result in personal injury or damage to cooking surface or counter.
5. Hang hood onto screws and hand tighten. (FIG. C). Use the last M4 x 38 screws with washers to further secure the hood to the wall from inside the hood.
6. Center and attach duct cover bracket to wall below ceiling or soffit using (2) M4 x 38 screws.
7. Install electrical.
8. Install duct work and duct tape.  
**NOTE:** If using hood in recirculating mode, you must secure the air diverter plate onto the wall before installing duct work and duct covers. Refer to ductless recirculating section for more details.
9. Power up hood and check for leaks around duct tape.
10. Place telescopic duct covers onto hood and extend inner (top) duct cover upwards and secure to duct cover bracket using (2) M4x12 screws.

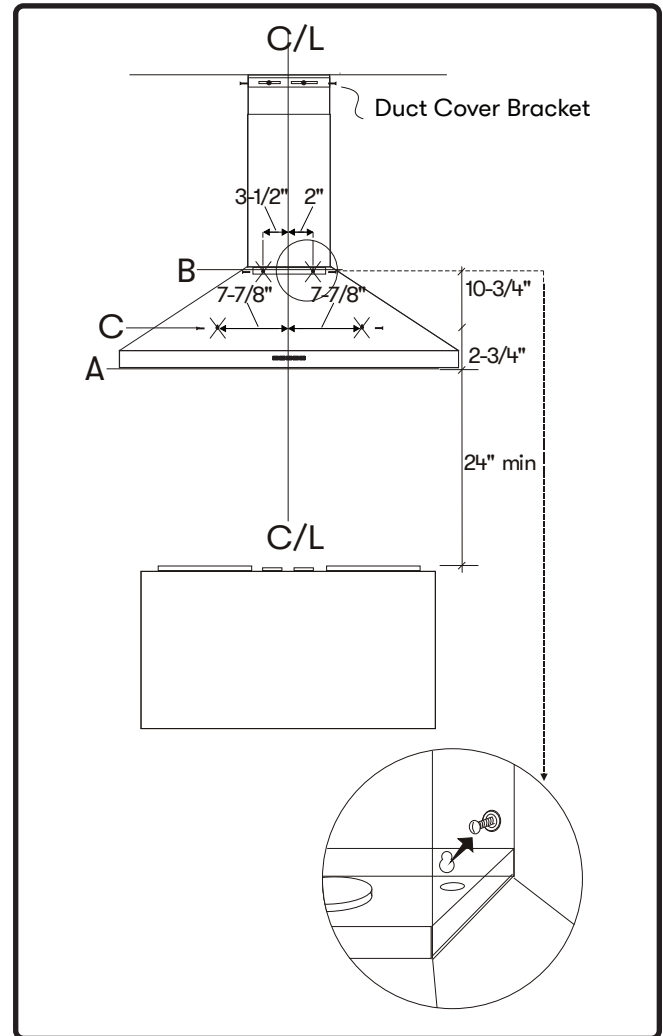


FIG. C

## Ductless Recirculation

Ductless recirculation is intended for applications where an exhaust duct work is not possible to be installed. When converted, the hood functions as a recirculating hood rather than an exhaust hood. Fumes and exhaust from cooking are drawn and filtered by a set of optional charcoal filters. The air is then purified and re-circulated back within the home.

We recommend to ALWAYS exhaust air outside of the home by employing existing or installing new duct work, if possible. The hood is most effective and efficient as an exhaust hood. Only when the exhaust option is not possible should you recourse to converting the hood into a recirculating hood.

When converted to be a recirculating hood, a set of charcoal filters are required on top of its standard grease filter set. Order according to its part number below. The grease filters are intended to capture residue from cooking, and the optional charcoal filters help to purify fumes exhausted from cooking for recirculation.

## Recirculating Kit Installation (required if no ducting is used)

For detailed installation instructions, please refer to the manual included with the recirculating kit. The kit includes the charcoal filters, charcoal filter brackets, and air diverter plate.

Hood Model	Recirculating Kit Part Number	Filters in Package	Charcoal Filter Replacement Part Number	Quantity to Order
BMI	BRC-0106	1	Z0F-C012	1
BVE	BRC-0108	2	Z0F-C013	2

1. Secure air diverter plate to wall below duct cover bracket, FIG. D. Run 6" ducting from top of hood and secure to air diverter plate.
2. Remove the grease filter(s) from hood. Place charcoal filter(s) over the back side of the grease filter(s). For BVE models, if you have a 30" hood, use scissors to cut the charcoal filters along the perforated line.
3. Secure charcoal filter(s) to back side of the grease filter(s) by (4) brackets for BMI, and (3) brackets for BVE. For BVE models, if you have a 30" hood, the charcoal filter brackets will also need to be resized by bending them at the perforated line until the smaller piece snaps off.
4. Re-install grease filter(s).
5. Charcoal filters must be replaced every 200 hours of use (or approximately every 3 to 4 months based on an average of 1 - 2 hours of daily cooking time).

DO NOT WASH CHARCOAL FILTERS. Charcoal filters may need to be changed more often depending on cooking habits.

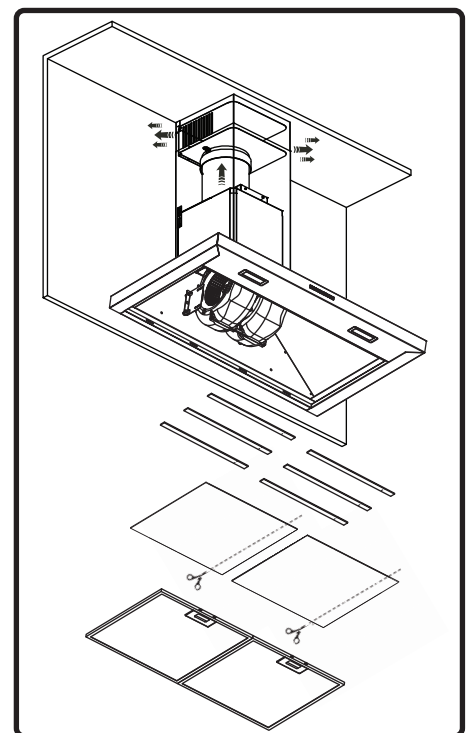


FIG. D

# Features & Controls

## Electronic Touch



### 1. POWER BUTTON

- ▶ The POWER button will turn the power on and off for the entire hood (fan and lights). The hood has a memory function and will remember the last speed and light level it was turned off at.

**DELAY OFF FUNCTION:** With the fan on, press and hold the POWER button for 2 seconds. The fan will change to speed 1 and the POWER button will blink on and off, indicating the delay off timer has started. After 5 minutes, the hood will power off. Pressing the POWER button while the delay off function is enabled will turn off the hood and cancel the delay off function.

**ACT™ VERIFICATION:** Airflow Control Technology (ACT™) allows the installer to set the maximum blower CFM to align with local codes and regulations.

- ▶ To verify the maximum fan CFM, press and hold the POWER button for 5 seconds while the entire hood is powered off. If all three fan speed indicators illuminate = default maximum CFM. If two fan speed indicators illuminate = 390 maximum CFM. If one fan speed indicators illuminate = 290 maximum CFM.

### 2. FAN 1 - FAN 3 BUTTONS

- ▶ There are three fan speed levels. 1 for low speed, 2 for medium speed, and 3 for high speed.

### 3. LIGHTS BUTTON

- ▶ There are two light levels, low and high.
- ▶ From off, press once for low, and press twice for high. Press again to power off the lights.

## Hood & Filter Cleaning

### Surface Maintenance

- ▶ Do not use corrosive detergents, abrasive detergents or oven cleaners.
- ▶ Do not use any product containing chlorine bleach or any product containing chloride.
- ▶ Do not use steel wool or abrasive scrubbing pads which will scratch and damage surface.

### Cleaning Stainless Steel

Clean periodically with warm soapy water and clean cotton cloth or micro fiber cloth. Always rub in the direction of the stainless steel grain. To remove heavier grease build up use a liquid degreaser detergent.

After cleaning use a non-abrasive stainless steel polish/cleaners, to polish and buff out the stainless luster and grain. Always scrub lightly, with clean cotton cloth or micro fiber cloth and buff in the direction of the stainless steel grain.

### Cleaning the Grease Filters

The grease filters are intended to trap residue and grease from cooking. Although the filters should never need replacing, they are required to be cleaned every 30 days or more often depending on cooking habits.

Grease filters may be placed in dishwasher at low heat or soaked in hot soapy water. Dry filters and re-install before using hood.

# Maintenance

## Installing the Grease Filters (FIG. E):

1. Pull down on filter latch to release the filter tabs.
2. Pull down on front of filter to remove the grease filters.

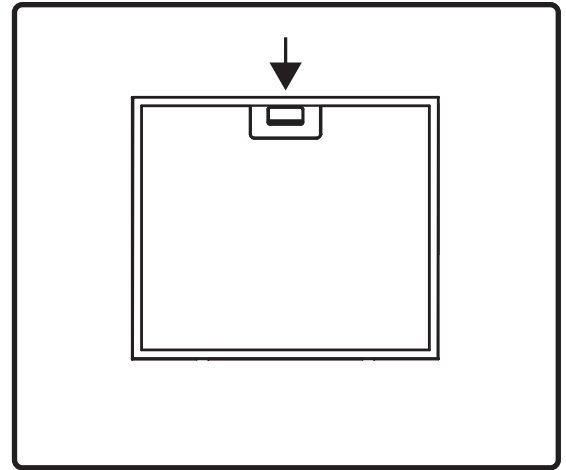


FIG. E

## LED Light Replacement

In the unlikely event that your LED lights fails, please visit <https://store.zephyronline.com> to order replacement parts.

See the list of parts and accessories page for part numbers and contact information.

### LED Removal (FIG. F):

1. Remove grease filter(s).
2. For BMI, remove the screws from the glass canopy. For BVE, remove the screws from the bottom panel.
3. Disconnect LED light quick connector.
4. Push in the two side clips on the ends of the LED light.
5. Push LED light through the light panel opening.

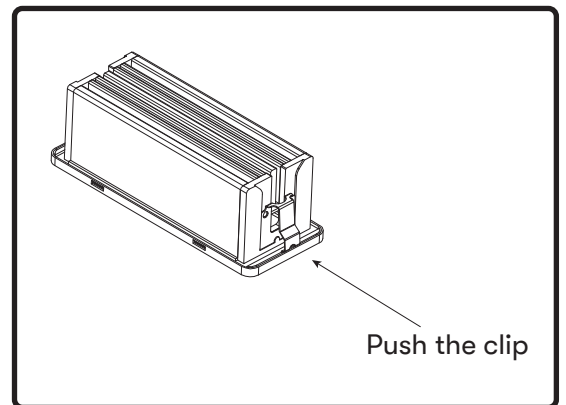




FIG. F

---

## Airflow Control Technology (ACT™)

Some local codes limit the maximum amount of CFM a range hood can move. ACT™ allows you to control the maximum blower CFM of select Zephyr Ventilation range hoods without the need for expensive make up air kits. ACT™ enables the installer to easily set the maximum blower speed to one of two most commonly specified CFM levels; 390 or 290 CFM. The usage of ACT™ may not be necessary for your installation. Please check your local codes for CFM restrictions.

 **CAUTION** 

Hood must be disconnected from the main power prior to performing the conversion instructions listed below. Failure to do so could result in personal injury or damage to the product.

 **CAUTION** 

After re-positioning the jumper and powering on the hood, the CFM cannot be changed again.

# ACT™ Conversion

## Enabling ACT™

### To enable ACT™:

1. Before hood installation, gain access to PC board by following the steps shown on FIG. G for BMI and FIG. H for BVE.
2. Change plastic jumper positioning as shown in FIG. I to set the desired maximum blower CFM.
3. Re-install PC board and continue with hood installation.
4. Remove the appropriate foil CFM sticker included with the hood literature and place inside the hood body below the wiring diagram or in another clearly visible location.

### To verify if your installer enabled ACT™:

1. With hood off, hold the POWER button for 5 seconds. If all three fan speed indicators illuminate = default max. CFM. If two fan speed indicators illuminate = max. 390 CFM. If one fan speed indicator illuminates = max. 390 CFM.
2. When ACT™ is enabled, the number of blower speeds will be reduced.
3. There should also be a foil label located inside the hood body near the wiring diagram that indicates the blower CFM.

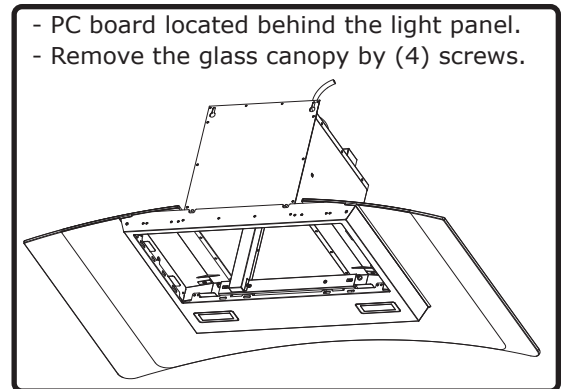


FIG. G

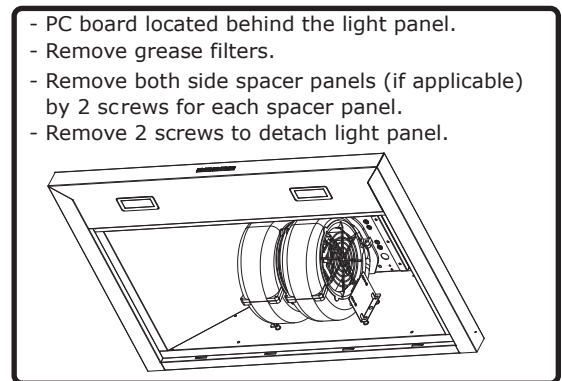


FIG. H

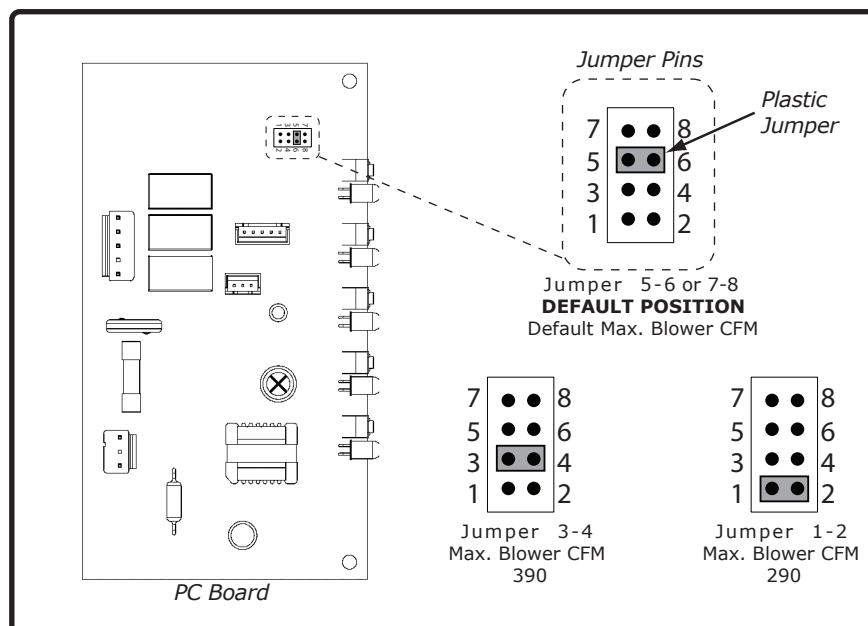
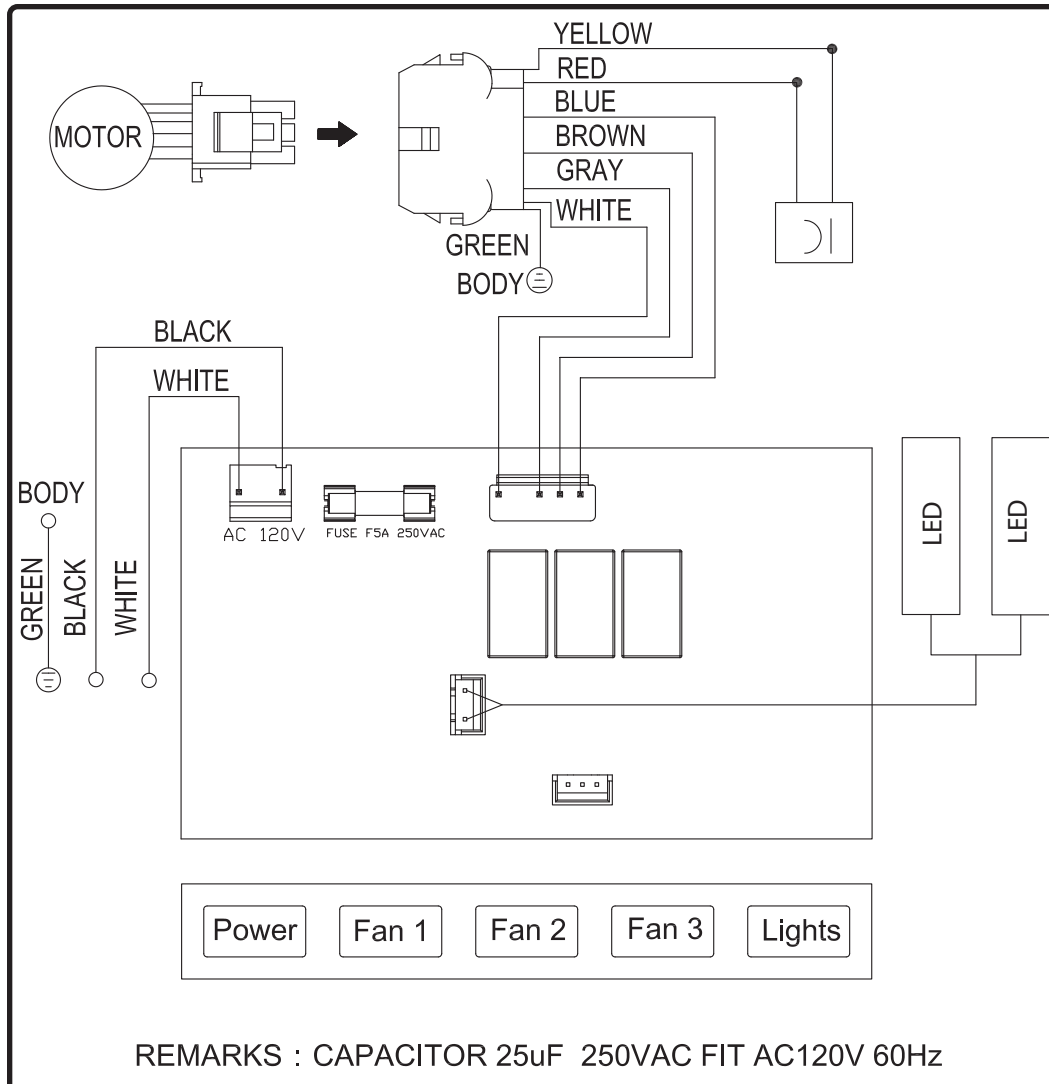


FIG. I



Power consumption shown for default CFM blower configuration

BMI - Max: 3A, 390 CFM: 2.3A, 290 CFM: 1.9A

BVE - Max: 3A, 390 CFM: 2.3A, 290 CFM: 1.9A

# Troubleshooting

Possible Problem	Possible Cause	Solutions
After installation, the unit doesn't work.	The power source is not turned ON.	Make sure the circuit breaker and the unit's power is ON.
	The power line and the cable locking connector is not connecting properly.	Check the power connection with the unit is connected properly.
	The switch board or control board wirings are disconnected.	Make sure the wirings at the switch board and control board are connected properly.
	The switch board or control board is defective.	Change the switch board or control board.
	The wires on control board are loose.	Make sure the wires on the control board are connected properly.
Light works, but blower is not turning.	The blower wire is not connected.	Make sure the blower wire is plugged into the molex connector.
	The thermally protected system detects if the blower is too hot to operate and shuts the blower down.	The blower will function properly after the thermally protected system cool down.
	Damaged capacitor.	Change the capacitor.
	The blower is defective, possibly seized.	Change the blower.
The unit is vibrating.	The blower is not secured in place.	Tighten the blower in place.
	Damaged blower wheel.	Replace the blower.
	The hood is not secured in place.	Check the installation of the hood.
The unit is whistling.	A filter is not in the correct position.	Adjust the filters until the whistling stops.
	The duct pipe connections are not sealed or connected properly.	Check the duct pipe connections to be sure all connections are sealed properly.
The blower is working, but the LED lights are not.	The LED light connector is disconnected.	Connect the LED light connector.
	Defective LED light.	Change the LED light.
	The switch board or control board is defective.	Change the switch board or control board.

Possible Problem	Possible Cause	Solutions
The hood is not venting out properly.	Using the wrong size of ducting.	Change the ducting to the correct size.
	The hood might be hanging too high from the cook top.	Adjust the distance between the cook top and the bottom of the hood within 24" and 34" range.
	The wind from the opened windows or opened doors in the surrounding area are affecting the ventilation of the hood.	Close all the windows and doors to eliminate the outside wind flow.
	Blockage in the duct opening or ductwork.	Remove all the blocking from the duct work or duct opening.
Filter is vibrating.	Filter is loose.	Adjust or change the filter.
	Spring clip is broken on the filter.	Change the spring clip.
The speed levels of the blower sound the same.	Using the wrong size of ducting.	Change the ducting to at least 6" or higher.

# List of Parts & Accessories

Description	Part Number
<b>Replacement Parts</b>	
LED Light, 6W	ZOB0047
Aluminum Mesh Filter (each), BMI	50200071
Aluminum Mesh Filter, 30" (each), BVE	50200069
Aluminum Mesh Filter, 36" (each), BVE	50200070
<b>Optional Accessories</b>	
Recirculating Kit, BMI	BRC-0106
Recirculating Kit, BVE	BRC-0108
Replacement Charcoal Filter (each), BMI	ZOF-C012
Replacement Charcoal Filter (each), BVE	ZOF-C013
Duct Cover Extension, BMI	B1C-00MI
Duct Cover Extension, BVE	B1C-00VE

To order parts, visit us online at <https://store.zephyronline.com>.

**TO OBTAIN SERVICE UNDER WARRANTY OR FOR ANY SERVICE RELATED QUESTIONS**  
**United States Customers please call: 1-888-880-8368 or contact us at: [zephyronline.com/contact](http://zephyronline.com/contact)**  
**Canada Customers please call: 1-800-361-0799 or Email: [service@distinctive-online.com](mailto:service@distinctive-online.com)**

Zephyr Ventilation, LLC (referred to herein as “we” or “us”) warrants to the original consumer purchaser (referred to herein as “you” or “your”) of Zephyr products (the “Products”) that such Products will be free from defects in materials or workmanship as follows:

**One Year Limited Warranty for Parts:** For one year from the date of your original purchase of the Products, we will provide, free of charge, Products or parts (including LED light bulbs, if applicable) to replace those that failed due to manufacturing defects subject to the exclusions and limitations below. We may choose, in our sole discretion, to repair or replace parts before we elect to replace the Products.

**One Year Limited Warranty for Labor:** For one year from the date of your original purchase of the Products, we will provide, free of charge, the labor cost associated with repairing the Products or parts to replace those that failed due to manufacturing defects subject to the exclusions and limitations below. After the first year from the date of your original purchase, you are responsible for all labor costs associated with this warranty.

**Warranty Exclusions:** This warranty covers only repair or replacement, at our option, of defective Products or parts and does not cover any other costs related to the Products including but not limited to: (a) normal maintenance and service required for the Products and consumable parts such as fluorescent, incandescent or halogen light bulbs, mesh and charcoal filters and fuses; (b) any Products or parts which have been subject to freight damage, misuse, negligence, accident, faulty installation or installation contrary to recommended installation instructions, improper maintenance or repair (other than by us); (c) commercial or government use of the Products or use otherwise inconsistent with its intended purpose; (d) natural wear of the finish of the Products or wear caused by improper maintenance, use of corrosive and abrasive cleaning products, pads, and oven cleaner products; (e) chips, dents or cracks caused by abuse or misuse of the Products; (f) service trips to your home to teach you how to use the Products; (g) damage to the Products caused by accident, fire, floods, acts of God; or (h) Custom installations or alterations that impact serviceability of the Products. If you are outside our service area, additional charges may apply for shipping costs for warranty repair at our designated service locations and for the travel cost to have a service technician come to your home to repair, remove or reinstall the Products. After the first year from the date of your original purchase, you are also responsible for all labor costs associated with this warranty. All Products must be installed by a qualified professional installer to be eligible for warranty repairs or service.

**Limitations of Warranty. OUR OBLIGATION TO REPAIR OR REPLACE, AT OUR OPTION, SHALL BE YOUR SOLE AND EXCLUSIVE REMEDY UNDER THIS WARRANTY. WE SHALL NOT BE LIABLE FOR INCIDENTAL, CONSEQUENTIAL OR SPECIAL DAMAGES ARISING OUT OF OR IN CONNECTION WITH THE USE OR PERFORMANCE OF THE PRODUCTS. THE EXPRESS WARRANTIES IN THE PRECEDING SECTION ARE EXCLUSIVE AND IN LIEU OF ALL OTHER EXPRESS WARRANTIES. WE HEREBY DISCLAIM AND EXCLUDE ALL OTHER EXPRESS WARRANTIES FOR THE PRODUCTS, AND DISCLAIM AND EXCLUDE ALL WARRANTIES IMPLIED BY LAW, INCLUDING THOSE OF MERCHANTABILITY AND FITNESS FOR A PARTICULAR PURPOSE.**

Some states or provinces do not allow limitations on the duration of an implied warranty or the exclusion or limitation of incidental or consequential damages, so the above limitations or exclusions may not apply to you. To the extent that applicable law prohibits the exclusion of implied warranties, the duration of any applicable implied warranty is limited to the same one-year and one-year periods described above if permitted by applicable law. Any oral or written description of the Products is for the sole purpose of identifying the Products and shall not be construed as an express warranty. Prior to using, implementing or permitting use of the Products, you shall determine the suitability of the Products for the intended use, and you shall assume all risk and liability whatsoever in connection with such determination. We reserve the right to use functionally equivalent refurbished or reconditioned parts or Products as warranty replacements or as part of warranty service. This warranty is not transferable from the original purchaser and only applies to the consumer residence where the Product was originally installed located in the United States and Canada. This warranty is not extended to resellers.

**To Obtain Service Under Limited Warranty:** To qualify for warranty service, you must: (a) notify us at the address or telephone number stated below within 60 days of the discovery of the defect; (b) give the model number and serial number; and (c) describe the nature of any defect in the Product or part. At the time of the request for warranty service, you must present evidence of your proof of purchase and proof of the original purchase date. If we determine that the warranty exclusions listed above apply or if you fail to provide the necessary documentation to obtain service, you will be responsible for all shipping, travel, labor and other costs related to the services. This warranty is not extended or restarted upon warranty repair or replacements.

Please check our website for any additional Product information, [www.zephyronline.com](http://www.zephyronline.com).

**Zephyr, 2277 Harbor Bay Parkway, Alameda, CA 94502**

# Product Registration

Congratulations on the purchase of your Zephyr product! Please take a moment to register your new Zephyr product at [www.zephyronline.com/registration](http://www.zephyronline.com/registration)

## IT'S IMPORTANT

Prompt registration helps in more ways than one.

- Ensures warranty coverage should you need service.
- Ownership verification for insurance purposes.
- Notification of product changes or recalls.



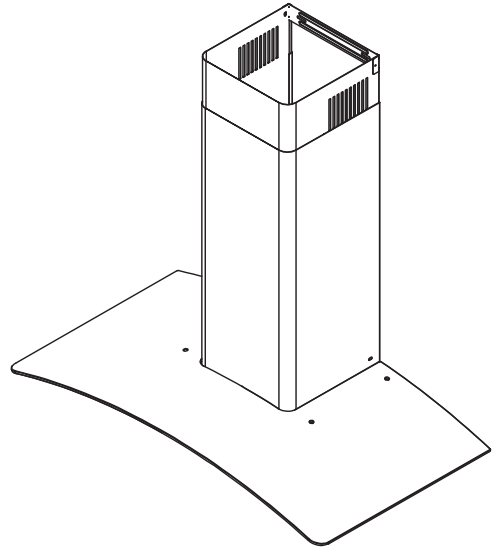
Zephyr Ventilation | 2277 Harbor Bay Pkwy. | Alameda, CA 94502

# brisas

BY ZEPHYR

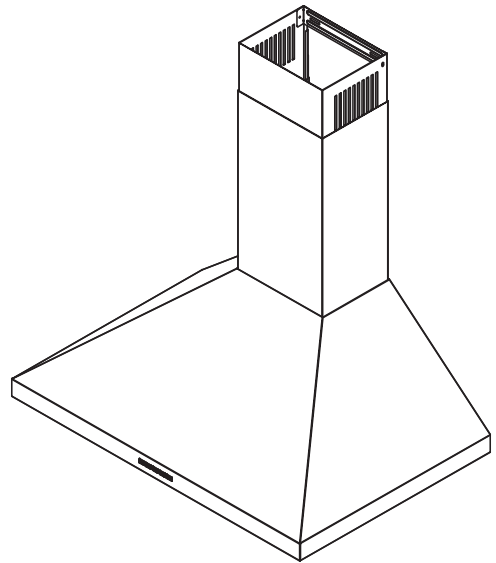
## BMI Wall

BMI-E30DG, BMI-E36DG



## BVE Wall

BVE-E30CS, BVE-E36CS



EN Use, Care, and Installation Guide

FR Guide d'utilisation, d'entretien et d'installation

ACT<sup>™</sup>  
Airflow Control Technology

Enregistrez votre produit aujourd'hui  
[zephyronline.com/registration](http://zephyronline.com/registration)





	Page
<b>Consignes de sécurité</b> .....	<b>4-6</b>
Types d'avertissements de sécurité .....	4
Sécurité générale .....	4-5
Opération .....	5-6
Exigences électriques .....	6
<b>Liste de matériel</b> .....	<b>7</b>
<b>Instructions d'installation</b> .....	<b>8-18</b>
Feuille de calcul pour le conduit d'aération .....	8
Hauteur de montage, dégagement et gaine .....	9-10
Options de conduits .....	11
Spécifications de la hotte, BMI .....	12
Spécifications de la hotte, BVE .....	13
Fourniture électrique .....	14
Raccord de câble .....	14
Montage de la hotte, BMI .....	15
Montage de la hotte, BVE .....	16
Recirculation sans conduit .....	17
Installation du kit de recirculation .....	17-18
<b>Fonctionnalités et commandes</b> .....	<b>19</b>
Touche électronique .....	19
<b>Entretien</b> .....	<b>20-21</b>
Nettoyage de la hotte et du filtre .....	20-21
Remplacement de l'éclairage LED .....	21
<b>Conversion ACT™</b> .....	<b>22-23</b>
Technologie de contrôle du débit d'air (ACT™) .....	22
Activer ACT™ .....	23
<b>Schéma de câblage</b> .....	<b>24</b>
<b>Dépannage</b> .....	<b>25-26</b>
<b>Liste des pièces et accessoires</b> .....	<b>27</b>
<b>Remarques</b> .....	<b>28</b>
<b>Garantie limitée</b> .....	<b>29</b>
<b>Enregistrement du produit</b> .....	<b>30</b>

# Consignes de sécurité

## LISEZ ET CONSERVEZ CES INSTRUCTIONS

**Votre sécurité et celle des gens qui vous entourent sont très importantes.**

Ce manuel contient de nombreux messages de sécurité relatifs à votre appareil. Lisez tous les messages et conformez-vous-y en tout temps.



Voici le symbole d'alerte à la sécurité. Ce symbole vous informe de possibles dangers qui pourraient entraîner de graves lésions corporelles ou la mort. Tous les messages de sécurité suivent le symbole d'alerte à la sécurité et comportent les mots « **DANGER** », « **AVERTISSEMENT** » ou « **ATTENTION** ».

**DANGER**

Le mot « danger » signifie que le fait de ne pas tenir compte de l'énoncé de sécurité peut entraîner une blessure grave ou la mort.

**AVERTISSEMENT**

Le mot « avertissement » signifie que le fait de ne pas tenir compte de l'énoncé de sécurité peut entraîner des dommages importants au produit, une lésion corporelle grave ou la mort.

**ATTENTION**

Le mot « attention » signifie que le fait de ne pas tenir compte de l'énoncé de sécurité peut entraîner une lésion corporelle mineure ou modérée, ou encore des dommages au produit ou à la propriété.

### Sécurité générale

**ATTENTION**

Pour réduire le risque d'incendie ou de choc électrique, n'utilisez pas ce ventilateur avec un dispositif de commande à semi-conducteurs.

**AVERTISSEMENT**

**AVERTISSEMENT - POUR RÉDUIRE LES RISQUES D'INCENDIE, DE CHOC ÉLECTRIQUE OU DE BLESSURES AUX PERSONNES, RESPECTEZ LES SUIVANTS:**

- a) N'utilisez cet appareil que de la manière prévue par le fabricant. Si vous avez des questions, contactez le fabricant.
- b) Avant l'entretien ou le nettoyage de l'unité, coupez l'alimentation au panneau de service et verrouillez les moyens de déconnexion de service pour éviter toute mise sous tension accidentelle. Lorsque le moyen de déconnexion de service ne peut pas être verrouillé, fixez solidement un dispositif d'avertissement bien visible, tel qu'une étiquette, au panneau de service.

**ATTENTION**

Pour Une Ventilation Générale Uniquement. Ne Pas Utiliser Pour Évacuer Des Matières Et Des Vapeurs Dangereuses Ou Explosives. Soyez prudent lorsque vous utilisez des produits de nettoyage pour détergents. Convient pour une utilisation dans la zone de cuisson domestique.

**AVERTISSEMENT**

**AVERTISSEMENT - POUR RÉDUIRE LE RISQUE D'INCENDIE DE GRAISSE SUR LE HAUT DE CUISINIÈRE:**

- a) Ne laissez jamais les unités de surface sans surveillance à des réglages élevés. Les débordements provoquent de la fumée et des débordements graisseux qui peuvent s'enflammer. Chauffer les huiles lentement à des réglages faibles ou moyens.
- b) Allumez toujours la hotte lorsque vous cuisinez à feu vif ou lorsque vous flambez des aliments. (c'est-à-dire Crêpes Suzette, Cerises Jubilee, Boeuf au Poivre Flambé »).
- c) Nettoyez fréquemment les ventilateurs de ventilation. La graisse ne doit pas s'accumuler sur le ventilateur ou le filtre.
- d) Utilisez une taille de casserole appropriée. Utilisez toujours des ustensiles de cuisine adaptés à la taille de l'élément de surface.

**ATTENTION**

Pour réduire les risques d'incendie et pour évacuer correctement l'air extérieur, ne pas évacuer l'air évacué dans les espaces à l'intérieur des murs, plafonds, greniers, vides sanitaires ou garages.

## LISEZ ET CONSERVEZ CES INSTRUCTIONS



AVERTISSEMENT - POUR RÉDUIRE LE RISQUE DE BLESSURE DES PERSONNES EN CAS D'INCENDIE DE GRAISSE SUR LE HAUT DE LA CUISINIÈRE, RESPECTEZ CE QUI SUIT:

- a) DES FLAMMES PLUS INTELLIGENTES avec un couvercle bien ajusté, une plaque à biscuits ou un plateau en métal, puis éteignez le brûleur. FAITES ATTENTION À ÉVITER LES BRÛLURES. Si les flammes ne s'éteignent pas immédiatement, ÉVACUER ET APPELER LE DÉPARTEMENT DES INCENDIES.
- b) NE JAMAIS RAMASSER UNE PLAQUE ENFLAMME - Vous pourriez être brûlé.
- c) N'UTILISEZ PAS D'EAU, ni de torchons ou de serviettes humides - une violente explosion de vapeur en résultera.
- d) Utilisez un extincteur UNIQUEMENT si:
  - 1) Vous savez que vous possédez un extincteur de classe ABC et vous savez déjà comment l'utiliser.
  - 2) Le feu est petit et contenu dans la zone où il a commencé.
  - 3) Le service d'incendie est appelé.
  - 4) Vous pouvez combattre le feu dos à une sortie

\*Basé sur "Kitchen Firesafety Tips" publié par la NFPA.



AVERTISSEMENT  
POUR RÉDUIRE LES RISQUES D'INCENDIE, UTILISEZ  
UNIQUEMENT DES CONDUITS MÉTALLIQUES.



Les parties accessibles de cet appareil peuvent devenir chaudes lorsqu'il est utilisé avec des appareils de cuisson.



**Prop. 65 Avertissement pour les résidents de Californie:** Ce produit peut contenir des produits chimiques reconnus par l'État de Californie comme pouvant provoquer le cancer, des malformations congénitales ou d'autres troubles de la reproduction.



AVERTISSEMENT - POUR RÉDUIRE LES RISQUES D'INCENDIE, DE DÉCHARGE ÉLECTRIQUE OU DE BLESSURES AUX PERSONNES, RESPECTEZ CE QUI SUIT:

- a) Les travaux d'installation et le câblage électrique doivent être effectués par des personnes qualifiées conformément à tous les codes et normes applicables, y compris la construction résistant au feu.
- b) Une quantité d'air suffisante est nécessaire pour une combustion et une évacuation correctes des gaz par le conduit de fumée (cheminée) de l'équipement à combustible pour empêcher le refoulement. Suivez les directives et les normes de sécurité du fabricant de l'équipement de chauffage, telles que celles publiées par la National Fire Protection Association (NFPA), l'American Society for Heating, Refrigeration and Air Conditioning Engineers (ASHRAE) et les autorités locales du code.
- c) Lorsque vous coupez ou percez dans un mur ou un plafond, n'endommagez pas le câblage électrique et les autres services publics cachés.
- d) Les ventilateurs à conduit doivent toujours être ventilés vers l'extérieur.
- e) Si cet appareil doit être installé au-dessus d'une baignoire ou d'une douche, il doit être marqué comme approprié pour l'application et être connecté à un circuit de dérivation protégé par un disjoncteur de fuite à la terre (GFCI).

### Opération

- ▶ Laissez toujours les grilles de sécurité et les filtres en place. Sans ces composants, les soufflantes en fonctionnement pourraient s'accrocher aux cheveux, aux doigts et aux vêtements amples.
- ▶ Le fabricant décline toute responsabilité en cas de non-respect des instructions données ici pour l'installation, la maintenance et l'utilisation appropriée du produit. Le fabricant décline en outre toute responsabilité en cas de blessure due à une négligence et la garantie de l'unité expire automatiquement en raison d'un mauvais entretien.
- ▶ Une ventilation convenable de la pièce doit être prévue lorsqu'une hotte de cuisine est utilisée simultanément avec des appareils utilisant du gaz ou un autre combustible.
- ▶ Il y a risque d'incendie si le nettoyage n'est pas effectué conformément aux instructions.
- ▶ Ne pas flamber d'aliments sous la hotte de cuisine.

# Consignes de sécurité

## LISEZ ET CONSERVEZ CES INSTRUCTIONS

### Opération

- ▶ L'air ne doit pas être envoyé dans un conduit utilisé pour évacuer les fumées d'appareils utilisant du gaz ou un autre combustible.
- ▶ Si le câble d'alimentation est endommagé, il doit être remplacé par le fabricant, son service après vente ou des personnes de qualification similaire afin d'éviter un danger.

**REMARQUE:** veuillez consulter [www.zephyronline.com](http://www.zephyronline.com) pour les révisions avant d'effectuer tout travail personnalisé.

### Exigences électriques

#### Important:

- ▶ Respectez tous les codes et ordonnances en vigueur.
- ▶ Il est de la responsabilité du client d'en prendre connaissance ci-dessous:
- ▶ Pour contacter un installateur électrique qualifié.
- ▶ Pour garantir que l'installation électrique est adéquate et conforme au National Electrical Code, ANSI / NFPA 70 dernière édition \* ou aux normes CSA C22.1-94, Code canadien de l'électricité, partie 1 et C22.2 No.0-M91 - dernière édition \*\* et tous les codes et ordonnances locaux.
- ▶ Si les codes le permettent et qu'un fil de terre séparé est utilisé, il est recommandé qu'un électricien qualifié détermine que le chemin de terre est adéquat.
- ▶ Ne pas mettre à la terre un tuyau de gaz.
- ▶ Vérifiez auprès d'un électricien qualifié si vous n'êtes pas sûr que la hotte est correctement mise à la terre.
- ▶ Ne pas avoir de fusible dans le circuit neutre ou de terre.
- ▶ Cet appareil nécessite une alimentation électrique de 120 V à 60 Hz et est connecté à un circuit de dérivation individuel correctement mis à la terre protégé par un disjoncteur de 15 ou 20 ampères ou un fusible temporisé. Le câblage doit être à 2 fils avec mise à la terre. Veuillez également vous référer au schéma électrique du produit.
- ▶ Instructions pour relier l'appareil à la terre :  
La fiche de fixation de type mise à la terre fournie avec cet appareil doit être connectée à une prise de type mise à la terre installée conformément à la norme CSA C22.1, Code canadien de l'électricité, partie I. En cas de court-circuit électrique, la mise à la terre réduit le risque de choc électrique.  
AVERTISSEMENT : Une mauvaise mise à la terre peut entraîner un risque de choc électrique.  
Consultez un électricien qualifié si les instructions de mise à la terre ne sont pas entièrement comprises ou en cas de doute quant à la bonne mise à la terre de l'appareil. N'utilisez pas de rallonge. Si le cordon d'alimentation électrique est trop court, demandez à un électricien qualifié d'installer une prise à proximité de l'appareil.
- ▶ Un connecteur de verrouillage de câble (non fourni) peut également être requis par les codes locaux. Vérifiez les exigences locales, achetez et installez le connecteur approprié si nécessaire.

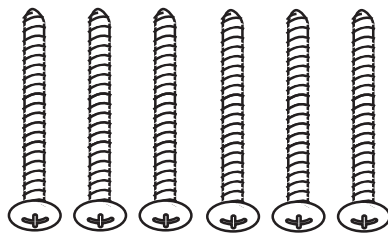
\* National Fire Protection Association Batterymarch Park, Quincy, Massachusetts 02269

\*\* CSA International 8501 East Pleasant Valley Road, Cleveland, Ohio 44131-5575

## Pièces fournies

Quantité	Partie
1	Hotte avec ventilateur interne
2	Cache-conduits, 1 supérieur et 1 inférieur
1	Support de cache-conduit
1	Filtres à mailles en aluminium (2 pour BMI)
2	Lumières LED (préinstallées)
1	Collier rond de 6 po avec clapet anti-retour
1	Verrière en verre (BMI uniquement)
1	Pack matériel

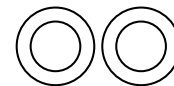
(6) M4 x 38



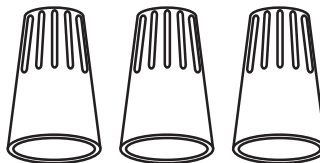
(2) M4 x 12



Rondelles



(3) Écrous de fil

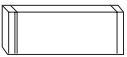

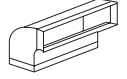

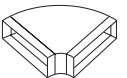

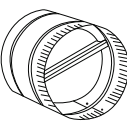




## Pièces non fournies

Conduits, gaines et tous outils d'installation
Connecteur de verrouillage de câble (si requis par les codes locaux)
Couvercles de conduits d'extension (B1C-00MI pour BMI, B1C-00VE pour BVE)
Kit de recirculation (BRC-0106 pour BMI, BRC-0108 pour BVE)

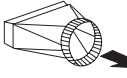
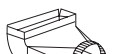

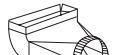

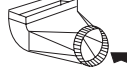
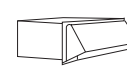


# Instructions d'installation

## Feuille de calcul pour le conduit d'aération

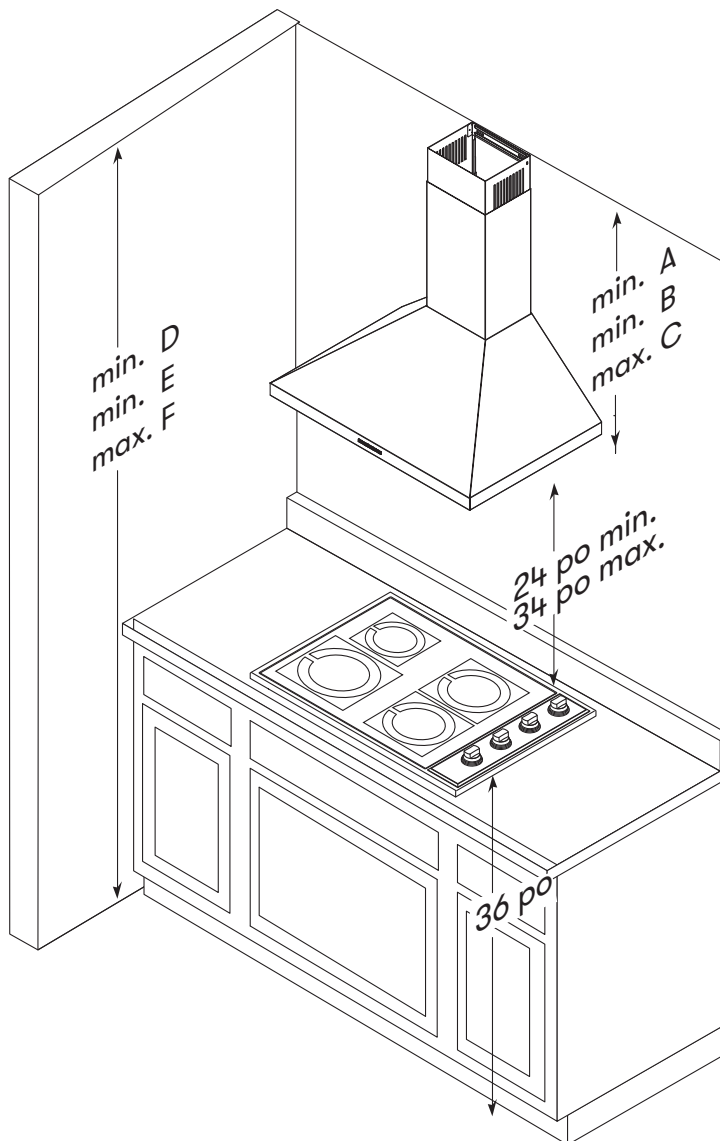
Pièces de conduit		Longueur x	Nombre utilisé	=	Total
	3-1/4" x 10" rect., droit	1 pi	x ( ) =		pi
	6", 7", 8", 10" circ., droit	1 pi	x ( ) =		pi
	3-1/4" x 10" rect., coude à 90°	15 pi	x ( ) =		pi
	3-1/4" x 10" rect., coude à 45°	9 pi	x ( ) =		pi
	3-1/4" x 10" rect., coude plat à 90°	24 pi	x ( ) =		pi
	7" to 6" or 8" to 7" circ. reducteur conique	25 pi	x ( ) =		pi
	6", 7", 8" circ. bouchone de l'air	15 pi	x ( ) =		pi
	6", 7", 8", 10" circ., coude à 90°	15 pi	x ( ) =		pi
	6", 7", 8", 10" coude à 45°	9 pi	x ( ) =		pi
Sous-total - colonne 1 =					pi

### Longueur maximale du conduit d'aération :

Pour un mouvement d'air convenable, la longueur totale d'un conduit d'aération ne devrait pas compter plus que l'équivalent de 150 pieds.

Pièces de conduit		Longueur x	Nombre utilisé	=	Total
	6" circ. à rect. de 3-1/4" x 10"	5 pi	x ( ) =		pi
	6" circ. à rect. de 3-1/4" x 10", coude à 90°	20 pi	x ( ) =		pi
	6" circ. à rect. de 3-1/4" x 10"	1 pi	x ( ) =		pi
	6" circ. à rect. de 3-1/4" x 10", coude à 90°	16 pi	x ( ) =		pi
	7" circ. à rect. de 3-1/4" x 10"	8 pi	x ( ) =		pi
	7" circ. à rect. de 3-1/4" x 10", coude à 90°	23 pi	x ( ) =		pi
	3-1/4" x 10" embout mural rect./registre	30 pi	x ( ) =		pi
	6", 7", 8", 10" embout mural circ./registre	30 pi	x ( ) =		pi
	6", 7", 8", 10" chapeau de toiture circ.	30 pi	x ( ) =		pi
Sous-total - colonne 2 =					pi
Sous-total - colonne 1 =					pi
Total du conduit =					pi

## Hauteur de montage, dégagement et gaine



	Couvercle de conduit standard BMI	Couvercle de conduit d'extension BMI	Couvercle de conduit standard BVE	Couvercle de conduit d'extension BVE
<b>Hauteurs de capot</b>				
minimum (A)	21-1/2 po	41-1/2 po	27-1/2 po	45 po
min. recirc. (B)	25 po	46 po	31 po	49 po
maximum (C)	36-1/2 po	80 po	42 po	76-1/2 po
<b>Hauteurs de plafond</b>				
minimum (D)	81-1/2 po	101-1/2 po	87-1/2 po	105 po
min. recirc. (E)	85 po	106 po	91 po	109 po
maximum (F)	106-1/2 po	150 po	112 po	146-1/2 po

# Instructions d'installation

## Hauteur de montage, dégagement et gaine

Un conduit rond d'au moins 6 pouces est recommandé pour maintenir une efficacité maximale du flux d'air.

Utilisez toujours uniquement des conduits métalliques de type rigide. Les conduits flexibles peuvent restreindre le débit d'air jusqu'à 50%.

Utilisez également la feuille de calcul des gaines (à la page 8) pour calculer la longueur totale des gaines disponibles lorsque vous utilisez des coudes, des transitions et des capuchons.

**TOUJOURS**, lorsque cela est possible, réduire le nombre de transitions et de virages. Si un long trajet de conduit est requis, augmentez la taille du conduit.

Si des virages ou des transitions sont nécessaires; installer aussi loin que possible de la sortie du conduit de la hotte et aussi loin que possible entre les deux.

La hauteur minimale de montage entre le haut de la cuisinière et le bas de la hotte ne doit pas être inférieure à 24 po.

La hauteur de montage maximale ne doit pas dépasser 34 po.


Il est important d'installer la hotte à la bonne hauteur de montage. Les hottes montées trop bas peuvent entraîner des dommages causés par la chaleur et un risque d'incendie; tandis que les hottes montées trop haut seront difficiles à atteindre et perdront leurs performances et leur efficacité.

Si disponible, reportez-vous également aux exigences de dégagement en hauteur du fabricant de la cuisinière et à la hauteur de montage recommandée de la hotte au-dessus de la cuisinière. Vérifiez toujours vos codes locaux pour toute différence.


### Pour les dommages liés à l'expédition et à l'installation:

- ▶ Veuillez inspecter complètement l'unité pour déceler tout dommage avant l'installation.
- ▶ Si l'appareil est endommagé lors de l'expédition, renvoyez-le au magasin où il a été acheté pour réparation ou remplacement.
- ▶ Si l'appareil est endommagé par le client, la réparation ou le remplacement est à la charge du client.
- ▶ Si l'unité est endommagée par l'installateur (si autre que le client), la réparation ou le remplacement doit être effectuée par arrangement entre le client et l'installateur.

## Options de conduits

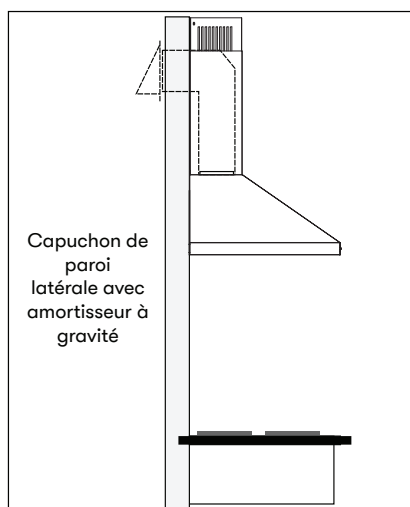
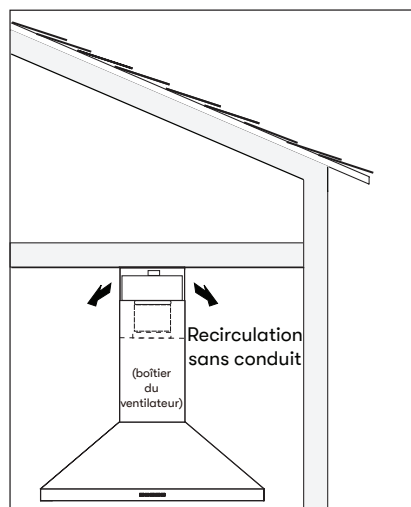
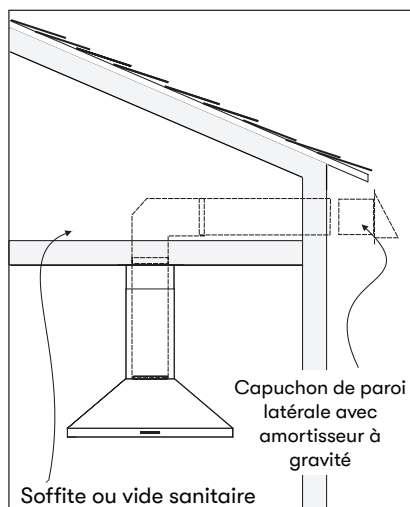
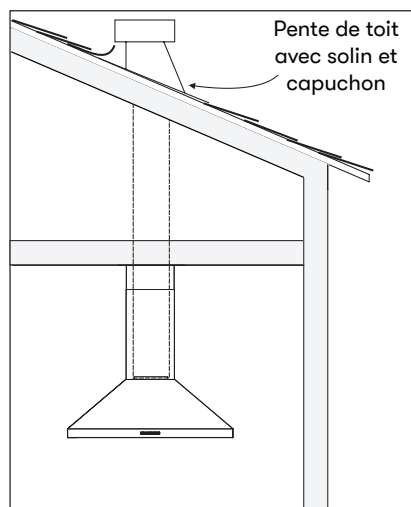


### ATTENTION



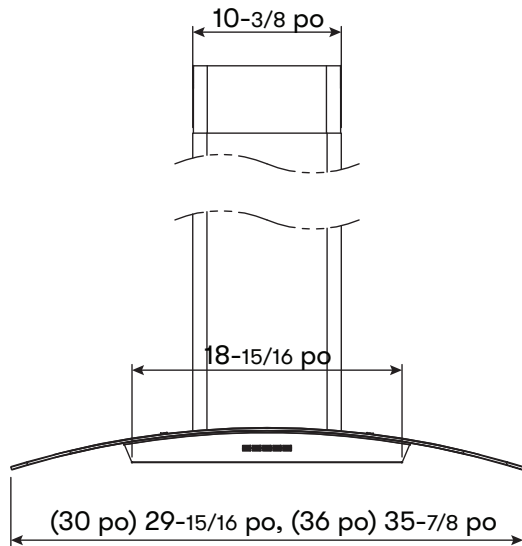
**Risque d'incendie:** NE JAMAIS évacuer l'air ni terminer de conduits dans des espaces entre les murs, les vides sanitaires, les plafonds, les greniers ou les garages. Tout l'échappement doit être canalisé vers l'extérieur, à moins d'utiliser l'option de recirculation.

- ▶ Utilisez uniquement des conduits métalliques rigides à paroi simple.
- ▶ Fixez toutes les connexions avec des vis à tôle et collez tous les joints avec du ruban argenté ou du ruban adhésif.

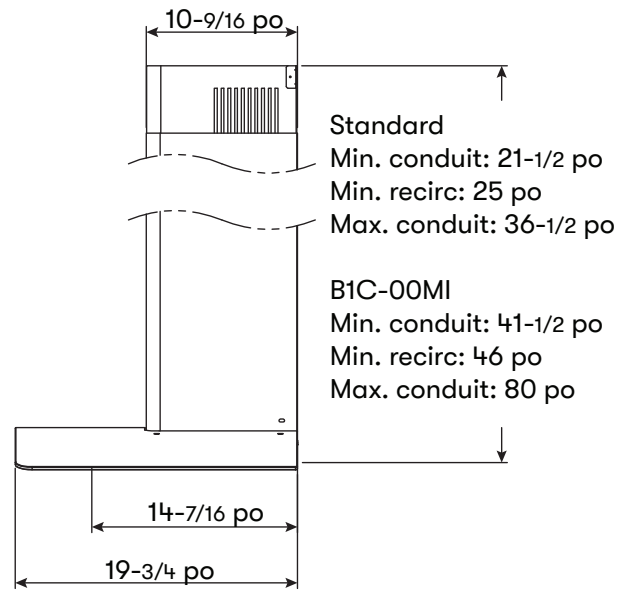


# Instructions d'installation

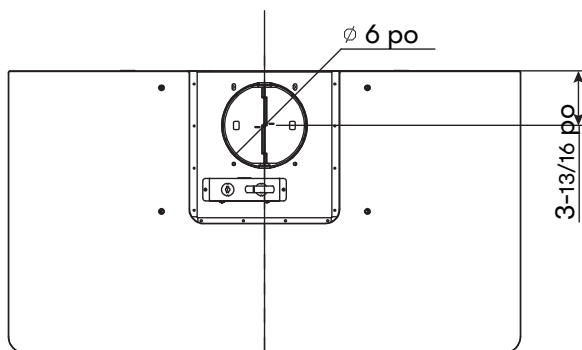
## Spécifications de la hotte, BMI



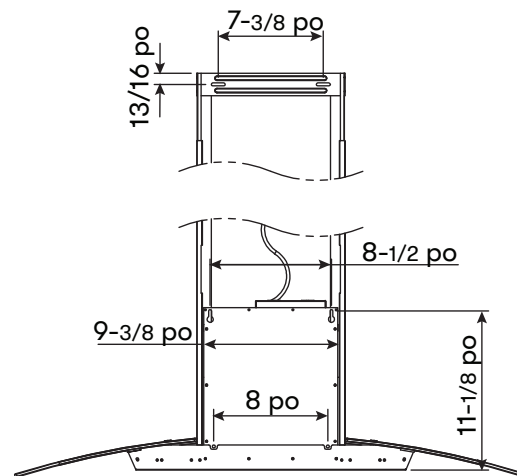
DEVANT



CÔTÉ

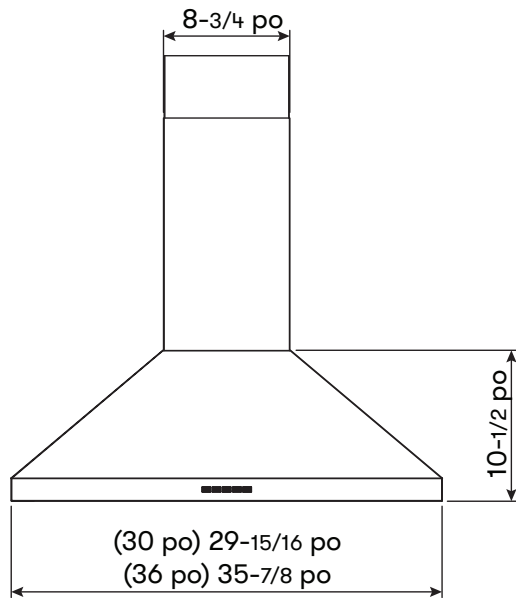


C/L  
HAUT

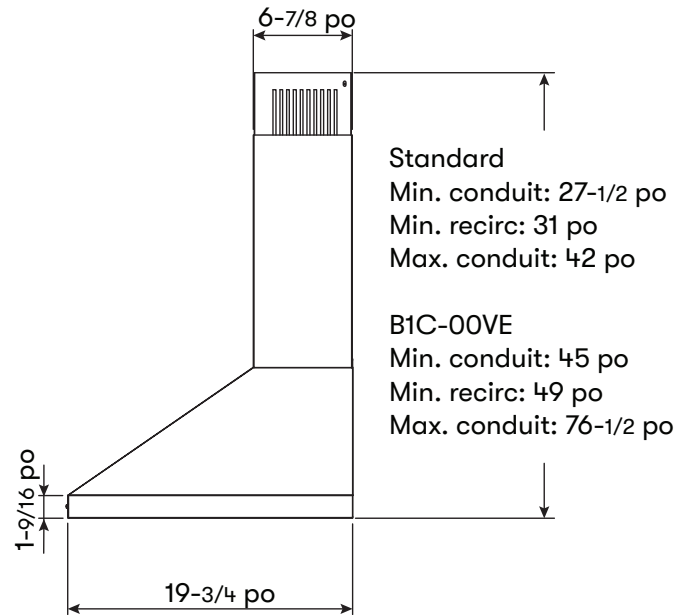


ARRIÈRE

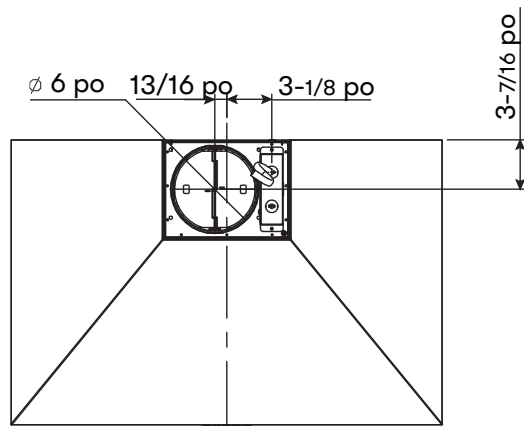
## Spécifications de la hotte, BVE



DEVANT

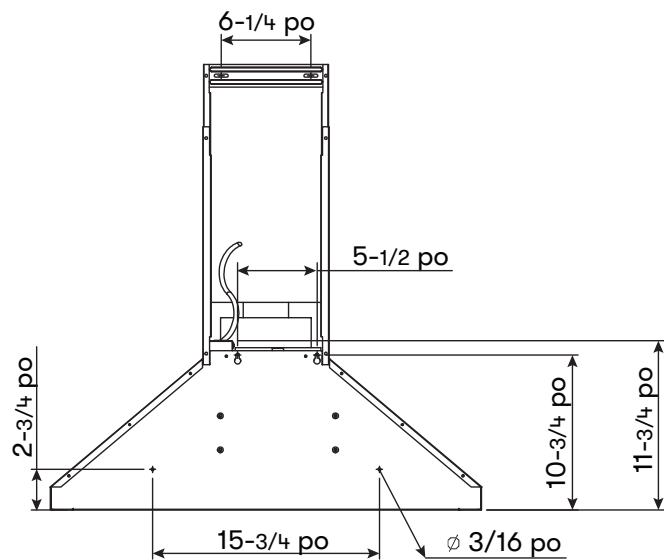


CÔTÉ



C/L

HAUT



ARRIÈRE

# Instructions d'installation

## Fourniture électrique

**ATTENTION**

Le câblage électrique doit être effectué par des personnes qualifiées conformément à tous les codes et normes applicables.  
Cette hotte doit être correctement mise à la terre. Coupez l'alimentation électrique à l'entrée de service avant le câblage.

Pour votre sécurité personnelle, retirez le fusible de la maison ou ouvrez le disjoncteur avant de commencer l'installation. N'utilisez pas de rallonge ni de fiche d'adaptateur avec cet appareil.

**Suivez les codes électriques nationaux ou les codes et règlements locaux en vigueur.**

Cet appareil nécessite une alimentation électrique de 120 V 60 Hz et est connecté à un circuit de dérivation individuel correctement mis à la terre, protégé par un disjoncteur de 15 ou 20 ampères ou un fusible temporisé. Le câblage doit être à 2 fils avec terre. Veuillez également vous référer au schéma électrique étiqueté sur le produit.

## Raccord de câble

Un connecteur de verrouillage de câble (non fourni) peut être requis par les codes locaux. Vérifiez les exigences et les codes locaux, achetez et installez le connecteur approprié si nécessaire. (FIG. A)

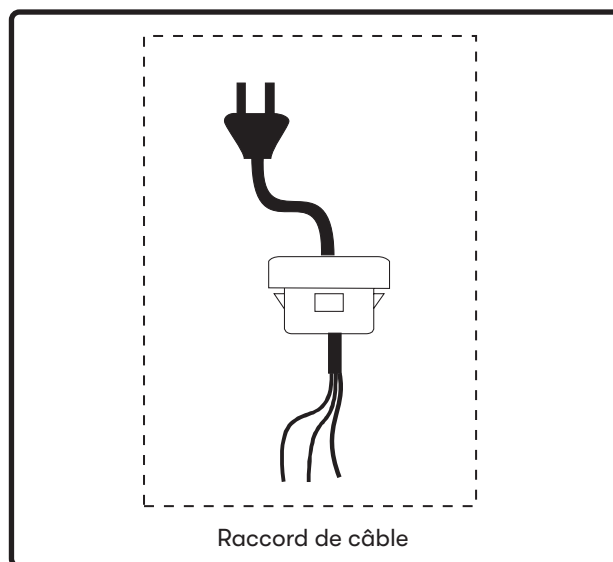


FIG. A

## Montage de la hotte, BMI

1. Mesurez du haut de la cuisinière au bas de la hotte et marquez la ligne A. (24 po minimum à partir du haut de la cuisinière).
2. Marquez la ligne centrale.  
Marquez la hauteur de montage sur la ligne B. (11-1/8 po de la ligne A)  
Marquez la distance de montage de C/L sur la ligne B. De la ligne centrale vers la marque de montage gauche et droite (4-1/4 po).

3. Fixez (2) vis M4 x 38 dans les goujons de la ligne B. Ne fixez pas les vis jusqu'au bout, laissez environ 3/8 po exposé.

**REMARQUE:** Il peut être nécessaire d'ajouter des cales en bois derrière la cloison sèche si aucun montant n'est présent. Des ancrages muraux peuvent également être utilisés, mais vérifiez la conformité aux codes locaux. Le fait de ne pas utiliser d'ancrages muraux et de vis appropriés pour supporter le poids de la hotte peut entraîner des blessures corporelles ou des dommages à la surface de cuisson ou au comptoir.

4. Accrochez la hotte aux vis et serrez-la à la main. (FIG. B). Utilisez les dernières vis M4 x 38 avec rondelles pour fixer davantage la hotte au mur depuis l'intérieur de la hotte.

5. Centrez et fixez le support du couvercle du conduit au mur sous le plafond ou le soffite à l'aide de (2) vis M4 x 38.

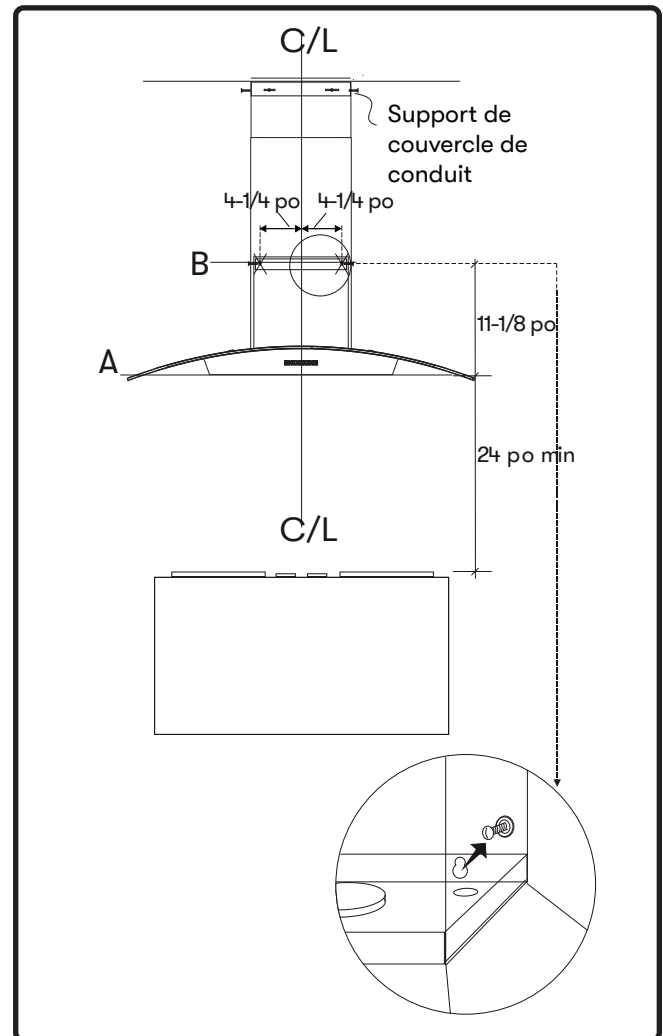
6. Installer l'électricité.

7. Installer des conduits et du ruban adhésif.

**REMARQUE:** Si vous utilisez la hotte en mode recirculation, vous devez fixer la plaque de dérivation d'air au mur avant d'installer les conduits et les couvercles de conduits. Reportez-vous à la section sur la recirculation sans conduit pour plus de détails.

8. Allumez le capot et vérifiez s'il y a des fuites autour du ruban adhésif.

9. Placez les couvercles de conduit télescopiques sur la hotte et étendez le couvercle de conduit intérieur (supérieur) vers le haut et fixez-le au support de couvercle de conduit à l'aide de (2) vis M4 x 12.



**FIG. B**

# Instructions d'installation

## Montage de la hotte, BVE

1. Mesurez du haut de la cuisinière au bas de la hotte et marquez la ligne A. (24 po minimum à partir du haut de la cuisinière).
2. Marquez la ligne centrale.  
Marquez la ligne de hauteur de montage B. (10-3/4 po de la ligne A)  
Marquez la ligne de hauteur de montage C. (2-3/4 po de la ligne A)
3. Marquez l'écartement de montage de C/L sur la ligne B de la ligne centrale au repère de montage gauche (3-1/2 po). De la ligne centrale au repère de montage droit, marquez (2 po). Marquez l'écartement de montage de C/L sur la ligne C. De la ligne centrale aux repères de montage gauche et droit, marquez (7-7/8 po)

4. Fixez (2) vis M4 x 38 dans les goujons de la ligne B. Ne fixez pas les vis jusqu'au bout, laissez environ 3/8" exposé.

**REMARQUE:** Il peut être nécessaire d'ajouter des cales en bois derrière la cloison sèche si aucun montant n'est présent. Des ancrages muraux peuvent également être utilisés, mais vérifiez la conformité aux codes locaux. Le fait de ne pas utiliser d'ancrages muraux et de vis appropriés pour supporter le poids de la hotte peut entraîner des blessures corporelles ou des dommages à la surface de cuisson ou au comptoir.

5. Accrochez la hotte aux vis et serrez-la à la main. (FIG. C). Utilisez les dernières vis M4 x 38 avec rondelles pour fixer davantage la hotte au mur depuis l'intérieur de la hotte.

6. Centrez et fixez le support du couvercle du conduit au mur sous le plafond ou le soffite à l'aide de (2) vis M4 x 38.

7. Installer l'électricité. Installer des conduits et du ruban adhésif.

**REMARQUE:** Si vous utilisez la hotte en mode recirculation, vous devez fixer la plaque de dérivation d'air au mur avant d'installer les conduits et les couvercles de conduits. Reportez-vous à la section sur la recirculation sans conduit pour plus de détails.

8. Allumez le capot et vérifiez s'il y a des fuites autour du ruban adhésif.

9. Placez les couvercles de conduit télescopiques sur la hotte et étendez le couvercle de conduit intérieur (supérieur) vers le haut et fixez-le au support de couvercle de conduit à l'aide de (2) vis M4x12.

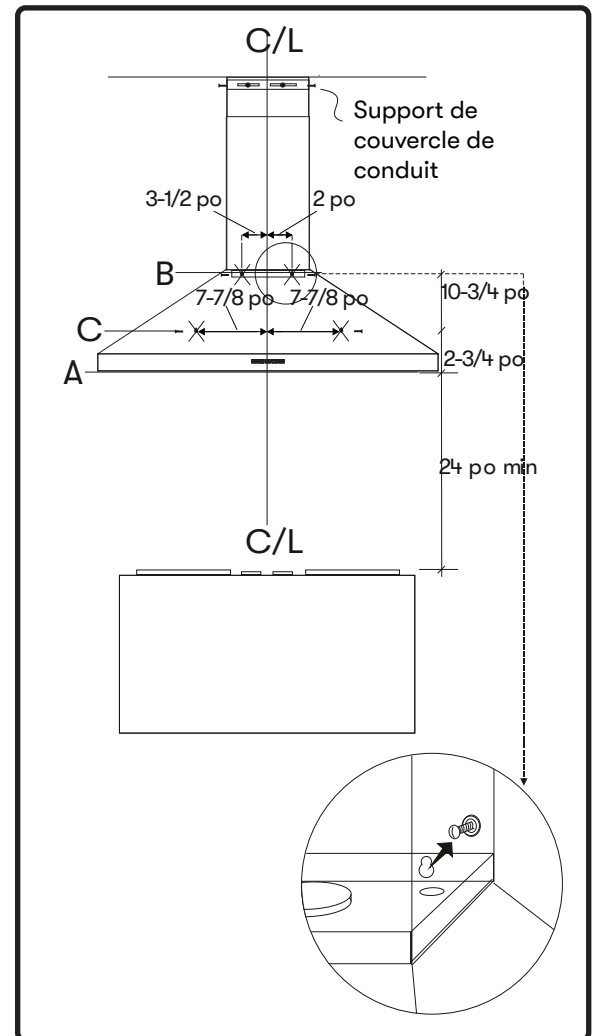


FIG. C

## Recirculation sans conduit

La recirculation sans conduit est destinée aux applications où il n'est pas possible d'installer un conduit d'évacuation. Une fois convertie, la hotte fonctionne comme une hotte à recirculation plutôt que comme une hotte aspirante. Les fumées et les gaz d'échappement provenant de la cuisson sont aspirés et filtrés par un ensemble de filtres à charbon en option. L'air est ensuite purifié et recyclé dans la maison.

Nous recommandons de TOUJOURS évacuer l'air à l'extérieur de la maison en utilisant les conduits existants ou en installant de nouveaux, si possible. La hotte est plus efficace et efficiente en tant que hotte aspirante. Ce n'est que lorsque l'option d'évacuation n'est pas possible que vous devez recourir à la conversion de la hotte en hotte à recirculation.

Lorsqu'elle est convertie en hotte à recirculation, un ensemble de filtres à charbon est nécessaire en plus de son ensemble de filtres à graisse standard. Commandez en fonction de son numéro de pièce ci-dessous. Les filtres à graisse sont destinés à capturer les résidus de cuisson, et les filtres à charbon en option aident à purifier les fumées évacuées par la cuisson pour la recirculation.

## Installation du kit de recirculation (requis si aucun conduit n'est utilisé)

Pour des instructions d'installation détaillées, veuillez vous référer au manuel fourni avec le kit de recirculation. Le kit comprend les filtres à charbon, les supports de filtre à charbon et la plaque de dérivation d'air.

Modèle de hotte	Numéro de pièce du kit de recirculation	Filtres dans le package	Numéro de pièce de rechange du filtre à charbon	Quantité à commander
BMI	BRC-0106	1	Z0F-C012	1
BVE	BRC-0108	2	Z0F-C013	2

# Instructions d'installation

## Installation du kit de recirculation (requis si aucun conduit n'est utilisé)

1. Fixez la plaque de dérivation d'air au mur sous le support du couvercle du conduit, FIG. D. Faites passer un conduit de 6 po depuis le haut de la hotte et fixez-le à la plaque de dérivation d'air.
2. Retirez le(s) filtre(s) à graisse de la hotte. Placez le(s) filtre(s) à charbon sur l'arrière du(des) filtre(s) à graisse. Pour les modèles BVE, si vous avez une hotte de 30 po, utilisez des ciseaux pour couper les filtres à charbon le long de la ligne perforée.
3. Fixez le(s) filtre(s) à charbon à l'arrière du(des) filtre(s) à graisse à l'aide de (4) supports pour BMI et de (3) supports pour BVE. Pour les modèles BVE, si vous avez une hotte de 30 po, les supports du filtre à charbon devront également être redimensionnés en les pliant au niveau de la ligne perforée jusqu'à ce que la plus petite pièce se détache.
4. Réinstaller le(s) filtre(s) à graisse.
5. Les filtres à charbon doivent être remplacés toutes les 200 heures d'utilisation (ou environ tous les 3 à 4 mois en fonction d'une moyenne de 1 à 2 heures de temps de cuisson quotidien).

**NE LAVEZ PAS LES FILTRES À CHARBON.** Les filtres à charbon peuvent nécessiter d'être changés plus souvent en fonction des habitudes de cuisson.

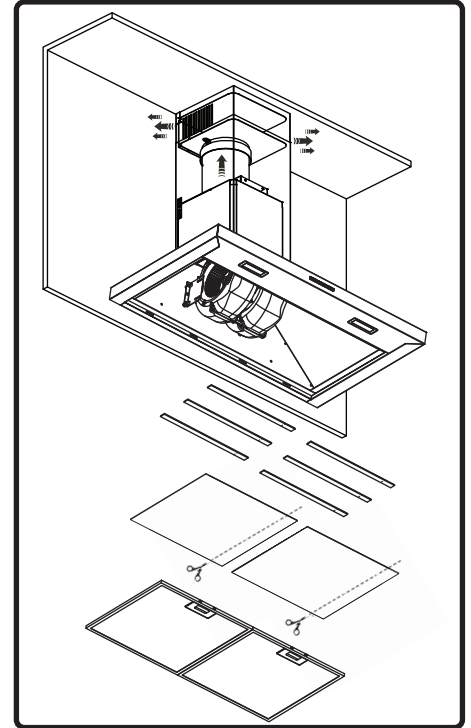
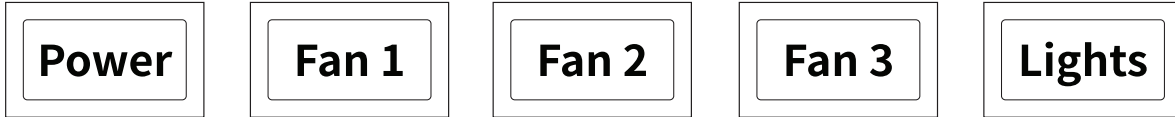


FIG. D

## Toucher électronique



### 1. BOUTON D'ALIMENTATION

- ▶ Le bouton POWER permet d'allumer et d'éteindre l'ensemble de la hotte (ventilateur et éclairage). La hotte est dotée d'une fonction mémoire et se souviendra de la dernière vitesse et du dernier niveau d'éclairage auquel elle a été éteinte.

**FONCTION DE RETARDEMENT D'ARRÊT :** Avec le ventilateur allumé, appuyez sur le bouton POWER et maintenez-le enfoncé pendant 2 secondes. Le ventilateur passe à la vitesse 1 et le bouton POWER clignote, indiquant que le délai d'arrêt a démarré. Au bout de 5 minutes, la hotte s'éteint. Appuyez sur le bouton POWER alors que la fonction d'arrêt différé est activée pour éteindre la hotte et annuler la fonction d'arrêt différé.

**Vérification ACT™:** La technologie de contrôle du débit d'air (ACT™) permet à l'installateur de régler le débit maximal du ventilateur en CFM conformément aux codes et réglementations locaux.

- ▶ Pour vérifier le débit maximal du ventilateur, maintenez le bouton POWER enfoncé pendant 5 secondes alors que la hotte est éteinte. Si les trois indicateurs de vitesse du ventilateur s'allument = débit maximal par défaut du ventilateur. Si deux indicateurs de vitesse du ventilateur s'allument = 390 CFM maximum. Si un indicateur de vitesse du ventilateur s'allume = 290 CFM maximum.

### 2. BOUTONS VENTILATEUR 1 - VENTILATEUR 3

- ▶ Il existe trois niveaux de vitesse du ventilateur. 1 pour la vitesse faible, 2 pour la vitesse moyenne et 3 pour la vitesse élevée.

### 3. BOUTON LUMIÈRES

- ▶ Il existe deux niveaux d'éclairage, faible et élevé.
- ▶ Pour éteindre, appuyez une fois pour un faible niveau et appuyez deux fois pour un niveau élevé. Appuyez à nouveau pour éteindre les lumières.

# Entretien

---

## Nettoyage de la hotte et du filtre

### Entretien de surface

- ▶ N'utilisez pas de détergents corrosifs, de détergents abrasifs ou de nettoyeurs pour four.
- ▶ N'utilisez aucun produit contenant un agent de blanchiment chloré ou un produit contenant du chlorure.
- ▶ N'utilisez pas de laine d'acier ou de tampons à récurer abrasifs qui pourraient rayer et endommager la surface.

### Nettoyage de l'acier inoxydable

Nettoyez périodiquement avec de l'eau chaude savonneuse et un chiffon en coton propre ou un chiffon en microfibres. Frottez toujours dans le sens du grain de l'acier inoxydable. Pour éliminer les accumulations de graisse plus lourdes, utilisez un détergent dégraissant liquide.

Après le nettoyage, utilisez un produit de polissage / nettoyeur pour acier inoxydable non abrasif pour polir et polir le lustre et le grain de l'acier inoxydable. Frottez toujours légèrement avec un chiffon en coton propre ou en microfibres et polissez dans le sens du grain de l'acier inoxydable.

### Nettoyage des filtres à graisse

Les filtres à graisse sont destinés à retenir les résidus et les graisses de cuisson. Bien que les filtres ne devraient jamais avoir besoin d'être remplacés, ils doivent être nettoyés tous les 30 jours ou plus souvent selon les habitudes de cuisson.

Les filtres à graisse peuvent être placés au lave-vaisselle à basse température ou trempés dans de l'eau chaude savonneuse. Sécher les filtres et les réinstaller avant d'utiliser la hotte.

## Installation des filtres à graisse (FIG. E) :

1. Tirez sur le loquet du filtre pour libérer les languettes du filtre.
2. Tirez sur l'avant du filtre pour retirer les filtres à graisse.

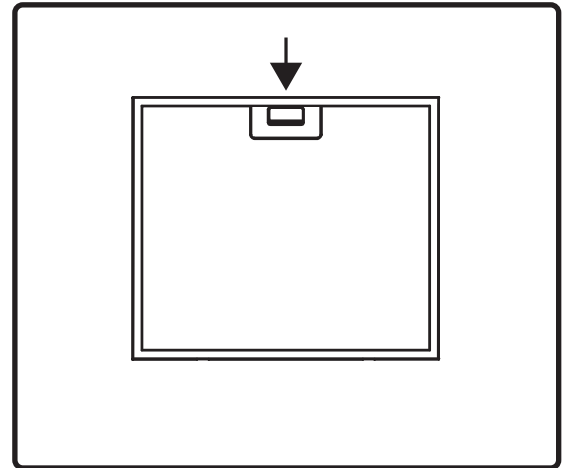


FIG. E

## Remplacement de l'éclairage LED

Dans le cas peu probable où vos lumières LED tomberaient en panne, veuillez visiter <https://store.zephyronline.com> pour commander des pièces de rechange.

Consultez la page de la liste des pièces et accessoires pour connaître les numéros de pièces et les coordonnées.

## Retrait des LED (FIG. F) :

1. Retirez le(s) filtre(s) à graisse.
2. Pour BMI, retirez les vis du couvercle en verre. Pour BVE, retirez les vis du panneau inférieur.
3. Débranchez le connecteur rapide de l'éclairage LED.
4. Enfoncez les deux clips latéraux aux extrémités de l'éclairage LED.
5. Poussez l'éclairage LED à travers l'ouverture du panneau lumineux.

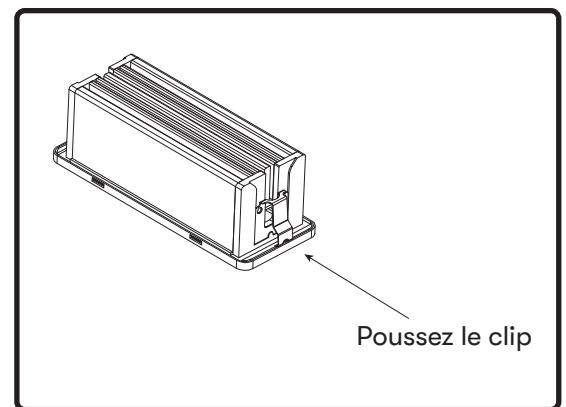


FIG. F

# Conversion ACT™

## Technologie de contrôle du débit d'air (ACT™)

Certains codes locaux limitent la quantité maximale de CFM qu'une hotte de cuisinière peut déplacer. ACT™ vous permet de contrôler le CFM maximal du ventilateur de certaines hottes de cuisinière Zephyr Ventilation sans avoir besoin de kits d'air d'appoint coûteux. ACT™ permet à l'installateur de régler facilement la vitesse maximale du ventilateur sur l'un des deux niveaux de CFM les plus couramment spécifiés ; 390 ou 290 CFM. L'utilisation d'ACT™ peut ne pas être nécessaire pour votre installation. Veuillez vérifier vos codes locaux pour connaître les restrictions en CFM.



### AVERTISSEMENT



La hotte doit être débranchée de l'alimentation principale avant d'effectuer les instructions de conversion répertoriées ci-dessous. Ne pas le faire peut entraîner des blessures ou endommager le produit.



### AVERTISSEMENT



Après avoir repositionné le cavalier et mis le capot sous tension, le CFM ne peut plus être changé.

## Activer ACT™

### Pour activer ACT™ :

1. Avant l'installation de la hotte, accédez à la carte de circuit imprimé en suivant les étapes illustrées sur la FIG. G pour BMI et la FIG. H pour BVE.
2. Modifiez le positionnement du cavalier en plastique comme indiqué sur la FIG. I pour régler le débit maximal souhaité du ventilateur en CFM.
3. Réinstallez la carte de circuit imprimé et continuez l'installation de la hotte.
4. Retirez l'autocollant en aluminium approprié du débit en CFM fourni avec la documentation de la hotte et placez-le à l'intérieur du corps de la hotte sous le schéma de câblage ou dans un autre endroit clairement visible.

### Pour vérifier si votre installateur a activé ACT™ :

1. Avec la hotte éteinte, maintenez le bouton POWER enfoncé pendant 5 secondes. Si les trois indicateurs de vitesse du ventilateur s'allument = débit max. par défaut. Si deux indicateurs de vitesse du ventilateur s'allument = débit max. 390 CFM. Si un indicateur de vitesse du ventilateur s'allume = débit max. 390 CFM.
2. Lorsque la fonction ACT™ est activée, le nombre de vitesses du ventilateur sera réduit.
3. Une étiquette en aluminium doit également être placée à l'intérieur du corps de la hotte, près du schéma de câblage, indiquant le débit maximal en CFM du ventilateur.

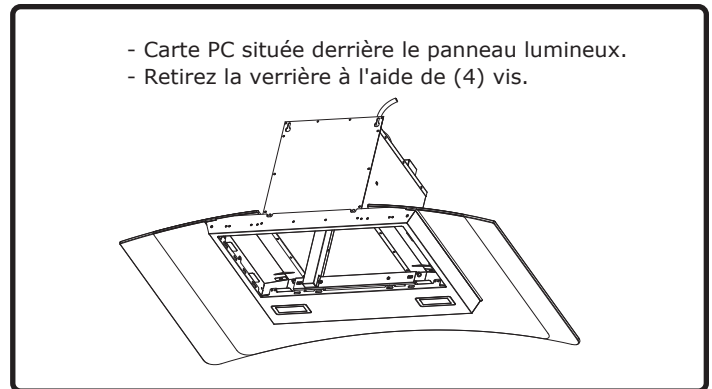


FIG. G

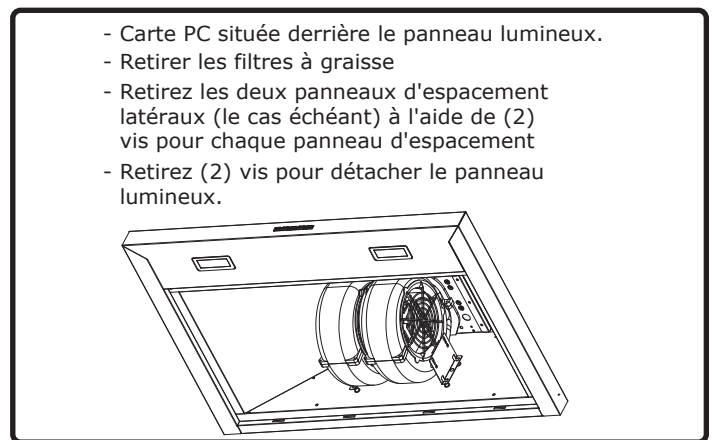


FIG. H

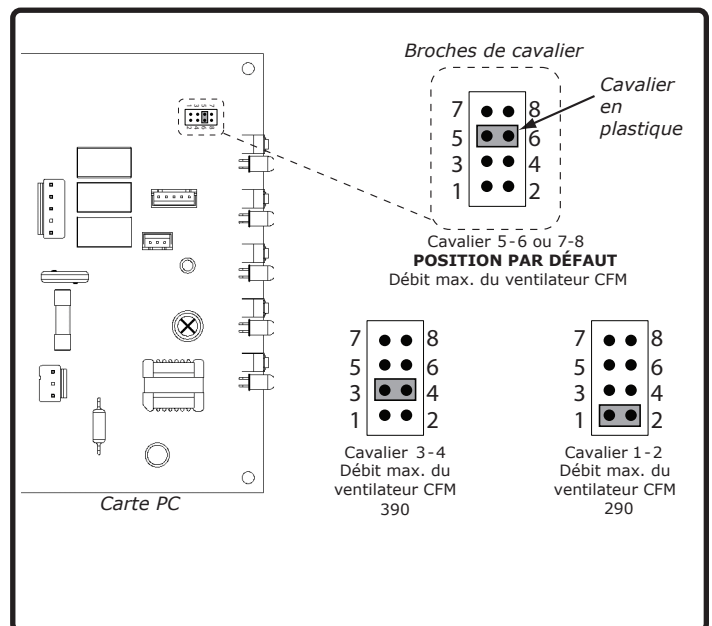
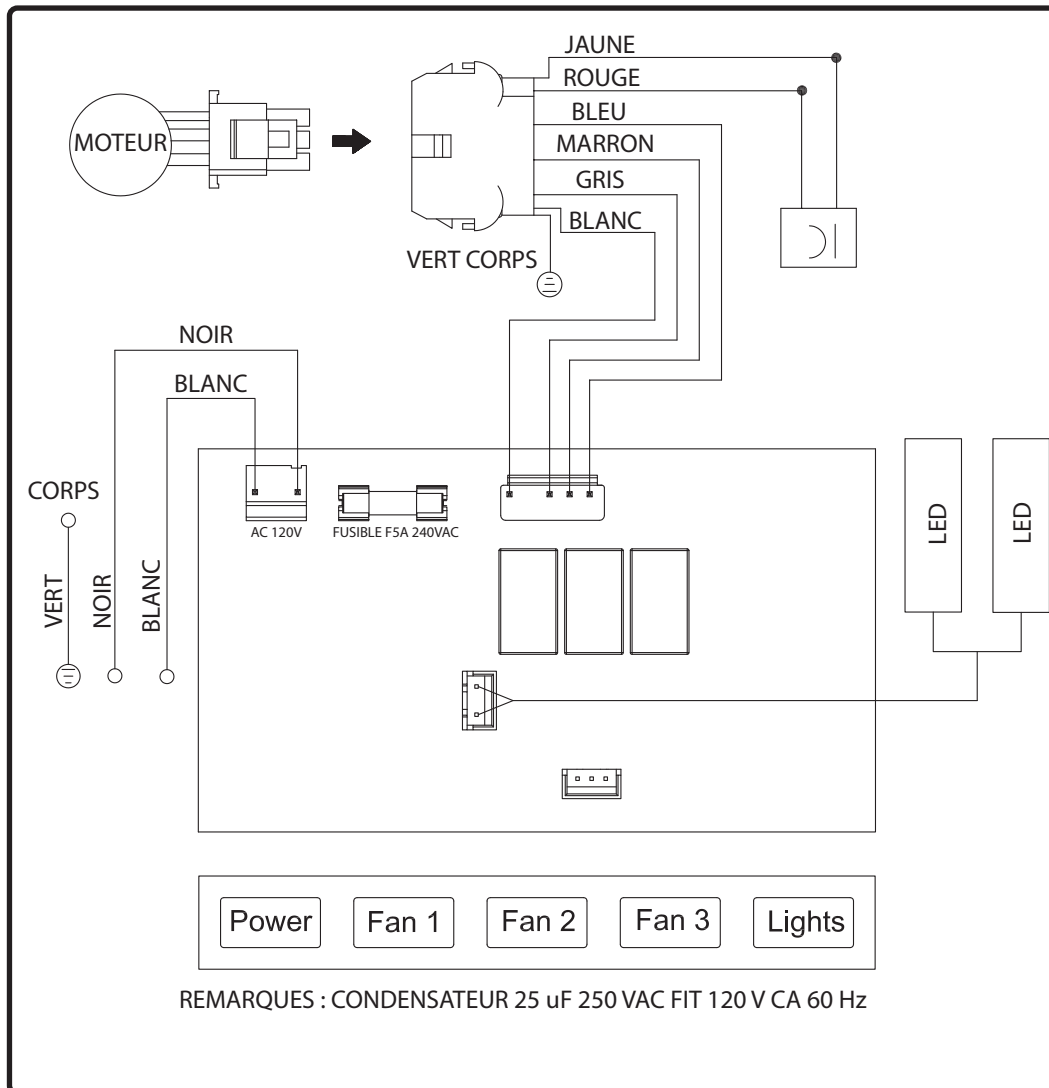


FIG. I

# Schéma de câblage



Consommation électrique indiquée pour la configuration de ventilateur CFM par défaut

BMI - Max : 3 A, 390 CFM : 2,3 A, 290 CFM : 1,9 A

BVE - Max : 3 A, 390 CFM : 2,3 A, 290 CFM : 1,9 A

Problème possible	Cause possible	Solutions
Après l'installation, l'appareil ne fonctionne pas.	La source d'alimentation n'est pas allumée.	Assurez-vous que le disjoncteur et l'appareil sont sous tension.
	La ligne d'alimentation et le connecteur de verrouillage du câble ne se connectent pas correctement.	Vérifiez que la connexion électrique avec l'appareil est correctement connectée.
	Les câblages du tableau de commande ou du tableau de commande sont déconnectés.	Assurez-vous que les câbles du tableau de commande et du tableau de commande sont correctement connectés.
	Le tableau de commande ou le tableau de commande est défectueux.	Changer le tableau de commande ou le tableau de commande.
	Les fils du tableau de commande sont desserrés.	Assurez-vous que les fils de la carte de commande sont correctement connectés.
La lumière fonctionne, mais le ventilateur ne tourne pas.	Le fil du ventilateur n'est pas connecté.	Assurez-vous que le fil du ventilateur est branché sur le connecteur mox.
	Le système thermiquement protégé détecte si le ventilateur est trop chaud pour fonctionner et arrête le ventilateur.	Le ventilateur fonctionnera correctement après le refroidissement du système thermiquement protégé.
	Condensateur endommagé.	Changez le condensateur.
	Le ventilateur est défectueux, éventuellement grippé.	Changer le ventilateur.
L'unité vibre.	Le ventilateur n'est pas fixé en place.	Serrez le ventilateur en place.
	Roue de soufflante endommagée.	Remplacez le ventilateur.
	Le capot n'est pas fixé en place.	Vérifiez l'installation de la hotte.
L'unité siffle.	Un filtre n'est pas dans la bonne position.	Ajustez les filtres jusqu'à ce que le sifflement s'arrête.
	Les raccords des tuyaux de conduit ne sont pas scellés ou correctement connectés.	Vérifiez les connexions des tuyaux de conduit pour vous assurer que toutes les connexions sont correctement scellées.
Le ventilateur fonctionne, mais les lumières LED ne fonctionnent pas.	Le connecteur de la lampe LED est débranché.	Brancher le connecteur de la lampe LED.
	Lampe LED défectueuse.	Changer la lampe LED.
	Le tableau de commande ou le tableau de commande est défectueux.	Changer le tableau de commande ou le tableau de commande.

# Dépannage

Problème possible	Cause possible	Solutions
La hotte ne s'échappe pas correctement.	Utilisation de la mauvaise taille de conduit.	Changer le conduit à la bonne taille.
	La hotte est peut-être suspendue trop haut de la table de cuisson.	Ajustez la distance entre la plaque de cuisson et le bas de la hotte dans les limites de 24 po et 34 po.
	Le vent provenant des fenêtres ouvertes ou des portes ouvertes dans la zone environnante affecte la ventilation de la hotte.	Fermez toutes les fenêtres et portes pour éliminer le vent extérieur.
	Obstruction dans l'ouverture du conduit ou dans les conduits.	Retirez tout le blocage du conduit ou de l'ouverture du conduit.
Le filtre vibre	Le filtre est lâche.	Ajustez ou changez le filtre.
	Le clip à ressort est cassé sur le filtre.	Changer le clip à ressort.
Les niveaux de vitesse du ventilateur semblent identiques.	Utilisation d'un conduit de mauvaise taille.	Remplacez les conduits par des conduits d'au moins 6 pouces ou plus.

La description	Numéro d'article
<b>Pièces de rechange</b>	
Lampe LED, 6 W	ZOB0047
Filtre à mailles en aluminium (chacun), BMI	50200071
Filtre à mailles en aluminium, 30" (chacun), BVE	50200069
Filtre à mailles en aluminium, 36" (chacun), BVE	50200070
<b>Accessoires optionnels</b>	
Kit de recirculation, BMI	BRC-0106
Kit de recirculation, BVE	BRC-0108
Filtre à charbon de rechange (chacun), BMI	ZOF-C012
Filtre à charbon de rechange (chacun), BVE	ZOF-C013
Rallonge de couvercle de conduit, BMI	B1C-00MI
Rallonge de couvercle de conduit, BVE	B1C-00VE

Pour commander des pièces, visitez-nous en ligne à <http://store.zephyronline.com>.

# Remarques

---

**POUR OBTENIR UN SERVICE SOUS GARANTIE OU POUR TOUTES QUESTIONS LIÉES AU SERVICE**

Les clients des États-Unis doivent appeler le: 1-888-880-8368 ou nous contacter à: [zephyronline.com/contact](http://zephyronline.com/contact)

Clients du Canada, veuillez appeler: 1-800-361-0799 ou par courriel: [service@distinctive-online.com](mailto:service@distinctive-online.com)

Zephyr Ventilation, LLC (désigné aux présentes sous le nom de « nous ») garantit au premier acheteur (désigné aux présentes sous le nom de « vous » ou « votre ») de produits Zephyr (les « Produits ») que lesdits produits sont exempts de défauts de fabrication ou de main-d'œuvre selon les conditions suivantes :

**Garantie limitée d'un an sur les pièces :** Garantie de d'un an à partir de la date d'achat originale du Produit. Nous fournirons sans frais les Produits ou les pièces (y compris les ampoules LED, le cas échéant) de remplacement qui comportaient des défauts de fabrication. Nous pourrions choisir, à notre seule discrétion, de réparer ou de remplacer des pièces avant de prendre la décision de remplacer le Produit.

**Garantie limitée d'un an sur la main-d'œuvre :** Garantie d'un an à partir de la date d'achat originale du Produit. Nous couvrirons sans frais les frais de main-d'œuvre afférents à la réparation du Produit ou des pièces de remplacement qui comportaient des défauts de fabrication. Un an après la date d'achat originale, vous serez responsable de tous les frais de main-d'œuvre associés à la présente garantie.

**Exclusions de la garantie :** Cette garantie ne couvre que la réparation ou le remplacement, à notre gré, de pièces ou de Produits défectueux et ne couvre aucun autre coût afférent aux Produits, dont, sans s'y limiter, les frais liés : (a) à l'entretien normal des Produits et au remplacement des pièces consommables, comme les fluorescents, incandescence ou halogèneampoules, les filtres métalliques, les filtres à charbon et les fusibles; (b) à tout Produit ou pièce ayant été endommagé durant le transport ou étant le résultat d'un mauvais usage, d'une négligence, d'un accident, d'une installation incorrecte ou ne respectant pas les notices d'installation recommandées, d'un entretien ou d'une réparation inapproprié (dont ne nous sommes pas responsables); (c) à une utilisation commerciale ou ne correspondant pas à l'utilisation pour laquelle les Produits sont conçus; (d) à l'usure naturelle du fini, à l'usure due à un entretien inadéquat, à l'utilisation de produits nettoyants corrosifs ou abrasifs, de tampons nettoyeurs et de produits de nettoyage pour le four; (e) aux éclats, entailles ou fissures résultant d'un abus ou d'une mauvaise utilisation du Produit; (f) aux déplacements d'un technicien de service à votre domicile pour vous montrer comment utiliser les Produits; (g) aux dommages causés par un accident, un incendie, une inondation, un cas fortuit; ou (h) Les installations personnalisées ou modifications qui ont un impact sur la maintenabilité du Produit. Si vous vous trouvez à l'extérieur du territoire que nous desservons, des frais supplémentaires pourraient s'appliquer pour la livraison des produits à nos points de service désignés pour une réparation sous garantie ou vous pourriez avoir à déboursier les frais de déplacement du technicien à votre domicile pour que le Produit soit réparé, enlevé ou réinstallé. Un an après la date d'achat originale du Produit, vous êtes également responsable de tous les frais de main-d'œuvre associés à la présente garantie.

**Restrictions de la garantie. NOTRE OBLIGATION DE RÉPARER OU DE REMPLACER, À NOTRE GRÉ, LE PRODUIT CONSTITUE VOTRE SEUL ET UNIQUE RECOURS SOUS LA PRÉSENTE GARANTIE. NOUS NE NOUS PORTONS PAS RESPONSABLES POUR TOUT DOMMAGE INDIRECT, ACCESSOIRE OU PARTICULIER RÉSULTANT OU AYANT UN LIEN AVEC L'UTILISATION OU LE RENDEMENT DES PRODUITS. LES GARANTIES EXPRESSES DE LA SECTION PRÉCÉDENTE SONT EXCLUSIVES ET TIENNENT LIEU DE TOUTE AUTRE GARANTIE EXPRESSE. PAR LES PRÉSENTES, NOUS REJETONS ET EXCLUONS TOUTE AUTRE GARANTIE EXPRESSE POUR LES PRODUITS ET TOUTES LES GARANTIES TACITES PRÉVUES PAR LA LOI, DONT CELLES RELATIVES À LA QUALITÉ MARCHANDE OU À L'ADÉQUATION DU PRODUIT POUR UNE UTILISATION PARTICULIÈRE.** Certains États ou provinces n'autorisent pas les restrictions sur la durée d'une garantie implicite ou l'exclusion ou la restriction des dommages indirects ou accessoires; par conséquent, les exclusions et restrictions mentionnées ci-dessus pourraient ne pas s'appliquer à votre cas. Dans la mesure où une loi applicable interdit l'exclusion de garanties implicites, la durée de toute garantie implicite applicable se limite à la période de deux ans décrite ci-dessus. L'unique objectif de toute description orale ou écrite est de présenter les Produits et celle-ci ne devrait pas être interprétée comme une garantie expresse. Avant d'utiliser ou de permettre l'utilisation des Produits, vous devrez déterminer si les Produits conviennent aux utilisations prévues et vous devrez assumer tout risque et toute responsabilité relatifs à ces utilisations. Nous nous réservons le droit d'utiliser des pièces reconstruites ou remises à neuf pour remplacer l'une des fonctionnalités dans le cadre de la présente garantie ou de l'une des parties de la présente garantie. L'acheteur original ne peut transférer la présente garantie et celle-ci n'est valide qu'aux États-Unis et au Canada.

**Pour obtenir du service sous la garantie :** Pour avoir droit à du service sous garantie, vous devez : (a) nous avertir en utilisant l'adresse ou le numéro de téléphone inscrit ci-dessous dans les soixante jours suivant la détection du défaut; (b) donner le numéro du modèle, le numéro d'identification de la pièce ainsi que le numéro de série; et (c) décrire la nature de tout défaut de la pièce ou du Produit. Au moment de faire la demande de service sous garantie, vous devrez présenter votre preuve d'achat et la preuve de la date d'achat originale. Si nous déterminons que les exclusions de la garantie énumérées ci-dessus s'appliquent ou si vous vous trouvez dans l'incapacité de nous fournir la documentation nécessaire pour obtenir du service, vous serez responsable de tous les frais d'expédition, de déplacement, de main-d'œuvre ou de tout autre coût afférent au service.

Veuillez consulter notre site Web au [www.zephyronline.com](http://www.zephyronline.com) pour savoir si des révisions ont été apportées à la garantie.

**Zephyr, 2277 Harbor Bay Parkway, Alameda, CA 94502**

# Enregistrement du produit

Nous vous félicitons d'avoir acheté un produit Zephyr. Veuillez prendre un moment pour enregistrer votre nouvelle produit au [www.zephyronline.com/registration](http://www.zephyronline.com/registration)

## C'EST IMPORTANT

Cet enregistrement rapide est utile à bien des égards.

- Il assure la couverture de votre garantie si vous avez besoin de service après-vente.
- À des fins d'assurance, il permet de confirmer que vous êtes le propriétaire.
- Il vous permet de recevoir des avis concernant des modifications ou des rappels de produits.



Zephyr Ventilation | 2277 Harbor Bay Pkwy. | Alameda, CA 94502