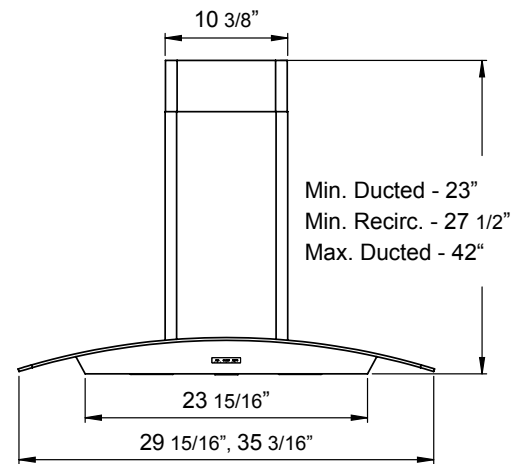
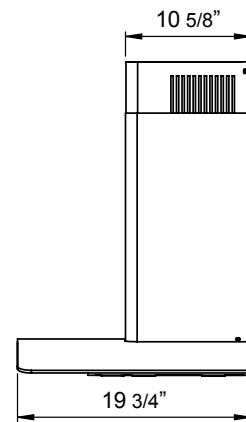


# Brisas BMI

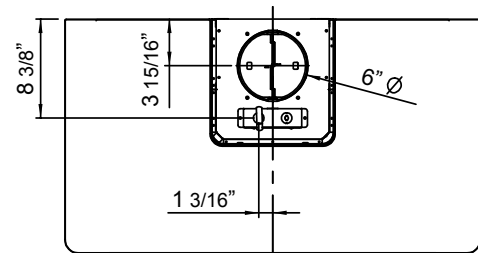
Modeled after the classic European design range hoods, Brisas BMI also performs like one. Its 600-cfm motor is at home over induction or gas ranges and its supersized 5-ply aluminum mesh filter can handle even the greasiest dish. Crowned with a clear, curved-glass canopy Brisas BMI is always in style.



FRONT



SIDE



C/L

TOP

## Brisas BMI

MODEL	BMI-E30CG	BMI-E36CG
Stainless Steel w/ Glass		
<b>Size</b>	30"	36"
<b>Blower CFM</b>	600	600
<b>Sones</b>	6	6
<b>ACT 390 CFM</b>	Yes	Yes
<b>ACT 290 CFM</b>	Yes	Yes
<b>FEATURES</b>		
<b>ACT™ Technology</b>	Yes	Yes
<b>Controls</b>	Capacitive Touch	Capacitive Touch
<b>Speed Levels</b>	3	3
<b>Auto Delay-Off</b>	Yes	Yes
<b>Lighting</b>	LED Light Strip, 5W x1	LED Light Strip, 5W x1
<b>Dual-Level Lighting</b>	Yes	Yes
<b>Filters</b>	Aluminum Mesh	Aluminum Mesh
<b>Recirculating Option</b>	Yes	Yes
<b>Extension Duct Cover Option</b>	Yes, Up to 12' Ceiling	Yes, Up to 12' Ceiling
<b>DUCT SPECIFICATIONS</b>		
<b>Vertical Internal Blower</b>	6" Round	6" Round
<b>Horizontal Internal Blower</b>	NA	NA
<b>AC POWER</b>	320W, 2.6A	320W, 2.6A
<b>AC POWER INPUT</b>	120V - 60Hz	120V - 60Hz
<b>OPTIONAL ACCESSORIES</b>		
<b>Recirculating Kit</b>	BRC-0006	BRC-0006
<b>Extension Duct Cover</b>	B1C-00MI	B1C-00MI
<b>MOUNTING HEIGHT RANGE*</b>	24" - 34"	24" - 34"
<b>WARRANTY</b>	1 year parts, 1 year labor	1 year parts, 1 year labor

AIRFLOW CONTROL TECHNOLOGY™ (ACT™) is an exclusive feature built into the hood which can limit the maximum blower CFM to meet local code requirements.

\*Mounting height refers to distance between top of a 36" tall cooking surface and bottom of hood.

MAY19.0101

