

Haier

Installation and User Manual
Instructions d'installation et
guide de l'utilisateur
Instrucciones de instalación y
Manual del usuario
HRB15N3

Bottom Mount Refrigerator

Réfrigérateur à congélateur inférieur

Refrigerador de montaje inferior



TABLE OF CONTENTS

REFRIGERATOR SAFETY 2

PARTS AND FEATURES 3

INSTALLATION REQUIREMENTS 4

Location Requirements..... 4

Electrical Requirements 4

INSTALLATION INSTRUCTIONS 5

Step 1 - Unpack the Refrigerator 5

Step 2 - Door Reversing 5

Step 3 - Complete the Installation..... 9

Step 4 - Leveling and Door Adjustment 10

REFRIGERATOR USE..... 10

Using the Controls..... 10

Features 12

REFRIGERATOR CARE 13

Cleaning 13

Lights..... 14

Vacation and Moving Care 14

Reinstalling/Using Refrigerator Again 14

TROUBLESHOOTING 14

LIMITED WARRANTY 16

RECORD KEEPING

Thank you for purchasing this Haier product. This user manual will help you get the best performance from your new refrigerator. For future reference, record the model and serial number located on the inside wall of the refrigerator, and the date of purchase. Staple your proof of purchase to this manual to aid in obtaining warranty service if needed.

Model number

Serial number

Date of purchase

REFRIGERATOR SAFETY

Your safety and the safety of others are very important.

We have provided many important safety messages in this manual and on your appliance. Always read and obey all safety messages.



This is the safety alert symbol.

This symbol alerts you to potential hazards that can kill or hurt you and others. All safety messages will follow the safety alert symbol and either the word "DANGER," "WARNING" or "CAUTION."

These words mean:

DANGER

An imminently hazardous situation. You could be killed or seriously injured if you don't immediately follow instructions.

WARNING

A potentially hazardous situation which, if not avoided, could result in death or serious bodily injury.

CAUTION

A potentially hazardous situation which, if not avoided, may result in moderate or minor injury.

All safety messages will tell you what the potential hazard is, tell you how to reduce the chance of injury, and tell you what can happen if the instructions are not followed.

IMPORTANT SAFETY INSTRUCTIONS

WARNING: To reduce the risk of fire, electrical shock, injury to persons, or damage when using the refrigerator, follow basic precautions, including the following:

- Use this appliance only for its intended purpose as described in this user manual.
- This refrigerator must be properly installed in accordance with the installation instructions before it is used. See grounding instructions in the installation section.
- Flammable refrigerant used. Do not use mechanical devices to defrost freezer. Do not puncture refrigerant tubing.
- Flammable refrigerant used. To be repaired only by trained service personnel. Do not puncture refrigerant tubing.
- Flammable refrigerant used. Dispose of properly in accordance with federal or local regulations.
- Flammable refrigerant used. Follow handling instructions carefully. Risk of fire or explosion due to puncture of refrigerant tubing.
- Plug into a grounded 3 prong outlet.
- Do not remove ground prong.
- Do not use an adapter.
- Do not use an extension cord.
- Do not repair or replace any part of the appliance unless specifically recommended in the manual. All other servicing should be referred to a qualified technician.
- Disconnect power before servicing.
- Replace all parts and panels before operating.
- Use nonflammable cleaner.
- Keep flammable materials and vapors, such as gasoline, away from refrigerator.
- Cabinet edges along stamp/ cutout areas may be sharp. Avoid placing hands, fingers or other appendages near these areas.
- Before discarding or removing from service, remove the doors. This will reduce the possibility of danger to children.

READ AND SAVE THESE INSTRUCTIONS

State of California Proposition 65 Warnings:

WARNING: This product contains one or more chemicals known to the State of California to cause cancer.

WARNING: This product contains one or more chemicals known to the State of California to cause birth defects or other reproductive harm.

PROPER DISPOSAL OF YOUR OLD REFRIGERATOR

⚠ WARNING

Suffocation Hazard

Remove doors from your old refrigerator.

Failure to do so can result in death or brain damage.

IMPORTANT: Child entrapment and suffocation are not problems of the past. Junked or abandoned refrigerators are still dangerous - even if they will sit for "just a few days." If you are getting rid of your old refrigerator, please follow these instructions to help prevent accidents.

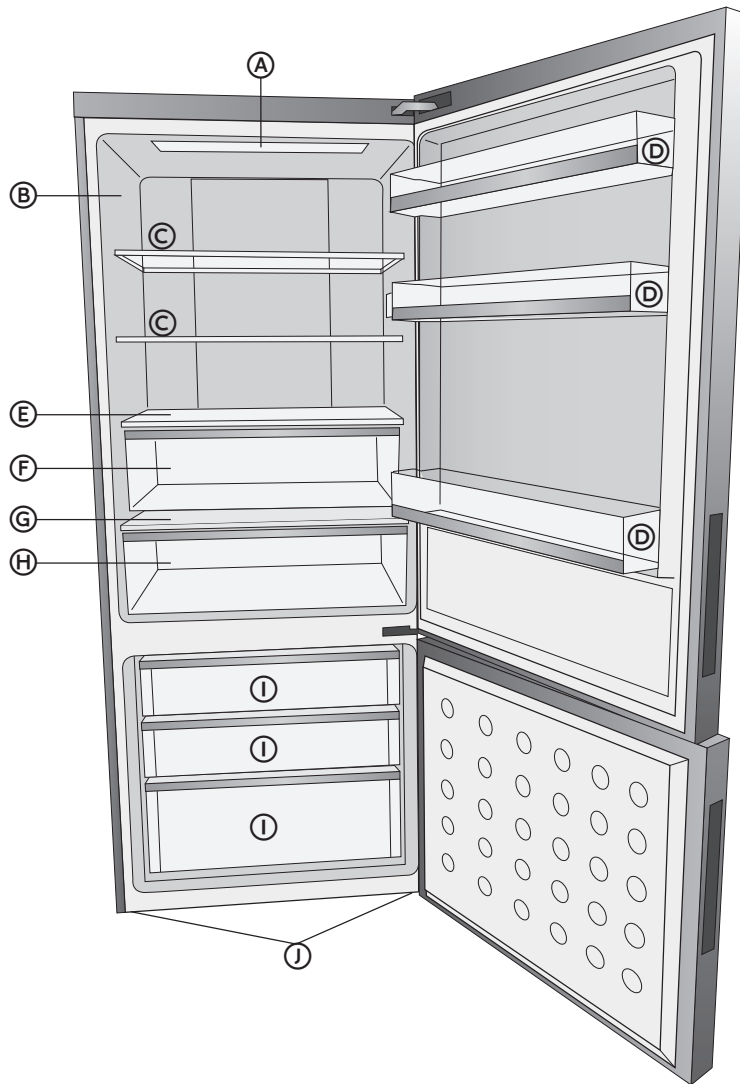
Before You Throw Away Your Old Refrigerator or Freezer:

- Take off the doors.
- Leave the shelves in place so that children may not easily climb inside.

Important information to know about disposal of refrigerants:

Dispose of freezer in accordance with Federal and Local regulations. Refrigerants must be evacuated by a licensed, EPA certified refrigerant technician in accordance with established procedures.

PARTS AND FEATURES



- | | |
|------------------------------|--------------------------------|
| Ⓐ LED Light | Ⓕ Refrigerator Drawer |
| Ⓑ Rating Plate | Ⓖ My Zone Cover |
| Ⓒ Glass Shelves (2) | Ⓗ My Zone Drawer |
| Ⓓ Refrigerator Door Bins (3) | Ⓘ Freezer Storage Drawers (3) |
| Ⓔ Refrigerator Drawer Cover | Ⓣ Adjustable Leveling Legs (2) |

INSTALLATION REQUIREMENTS

LOCATION REQUIREMENTS

⚠ WARNING



Explosion Hazard

Keep flammable materials and vapors, such as gasoline, away from appliance.

Failure to do so can result in death, explosion or fire.

IMPORTANT: This refrigerator is designed for indoor, household use only.

To ensure proper ventilation for your refrigerator, allow for 1" (2.54 cm) of space on each side and at the top. Allow for 2" (5.08 cm) of space behind the refrigerator. When installing your refrigerator next to a fixed wall, leave 4" (10 cm) minimum to allow for the door to swing open.

NOTE: This refrigerator is intended for use in a location where the temperature ranges from a minimum of 55°F (13°C) to a maximum of 110°F (43°C). The preferred room temperature range for optimum performance, which reduces electricity usage and provides superior cooling, is between 60°F (15°C) and 90°F (32°C). It is recommended that you do not install the refrigerator near a heat source, such as an oven or radiator.

ELECTRICAL REQUIREMENTS

⚠ WARNING



Electrical Shock Hazard

Plug into a grounded 3 prong outlet.

Do not remove the ground prong from the power cord plug.

Do not use an adapter.

Do not use an extension cord.

Failure to do so can result in death, fire or electrical shock.

Before you move your refrigerator into its final location, it is important to make sure you have the proper electrical connection.

Recommended Grounding Method

A 115 volt, 60 Hz, AC only 15- or 20-amp fused, grounded electrical supply is required. It is recommended that a separate circuit serving only your refrigerator be provided. Use an outlet that cannot be turned off by a switch. Do not use an extension cord.

NOTE: Before performing any type of installation or cleaning, disconnect the refrigerator from the electrical source. When you are finished, reconnect the refrigerator to the electrical source and reset the temperature controls to the desired setting.

INSTALLATION INSTRUCTIONS

STEP 1 - UNPACK THE REFRIGERATOR

⚠ WARNING

Excessive Weight Hazard

Use two or more people to move and install refrigerator.
Failure to do so can result in back or other injury.

⚠ WARNING



Fire or Explosion Hazard

Do not puncture refrigerant tubing.
Follow handling instructions carefully.
Flammable refrigerant used.
Failure to do so can result in death, explosion or fire.

IMPORTANT: Handle with care when moving to avoid either damaging the refrigerant tubing or increasing the risk of a leak.

REMOVE THE PACKAGING

- Remove tape and glue residue from surfaces before turning on the refrigerator. Rub a small amount of liquid dish soap over the adhesive with your fingers. Wipe with warm water and dry.
- Do not use sharp instruments, rubbing alcohol, flammable fluids, or abrasive cleaners to remove tape or glue. These products can damage the surface of your refrigerator. For more information, see "Refrigerator Safety."
- Dispose of/recycle all packaging materials.

When Moving Your Refrigerator:

Your refrigerator is heavy. When moving the refrigerator for cleaning or service, be sure to cover the floor with cardboard or hardboard to avoid floor damage. Always pull the refrigerator straight out when moving it. Do not wiggle or "walk" the refrigerator when trying to move it, as floor damage could occur.

CLEAN BEFORE USING

After you remove all of the packaging materials, clean the inside of the refrigerator before using it. See the cleaning instructions in "Refrigerator Care."

Important information to know about glass shelves and covers:

Do not clean glass shelves or covers with warm water when they are cold. Shelves and covers may break if exposed to sudden temperature changes or impact, such as bumping. Tempered glass is designed to shatter into many small, pebble-size pieces. This is normal. Glass shelves and covers are heavy. Use both hands when removing them to avoid dropping.

STEP 2 - DOOR REVERSING (OPTIONAL)

The door hinges are factory installed on the right-hand side. If you want the doors to open from the opposite direction, you can reverse the door swing.

IMPORTANT:

- Before you begin, unplug the refrigerator, or disconnect power.
- Remove food and the bins from the refrigerator door.
- The door hinges are designed to be right-hand swing or left-hand swing specific. Replace the right-hand hinges with the left-hand hinges provided in the parts bag. After removing, keep the right-hand hinges in case you would need to reverse the door swing.

Parts Provided:

- Top Hinge
- Center Hinge
- Bottom Hinge

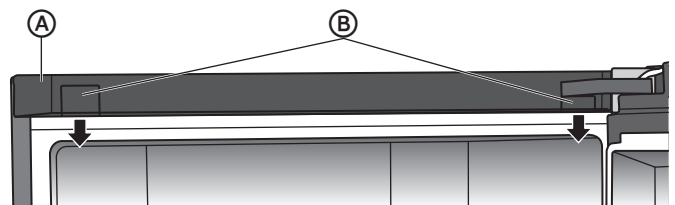
Tools Needed:

- Flat-blade Screwdriver
- Phillips-head Screwdriver
- 8 mm Socket Wrench

REMOVE AND REVERSE REFRIGERATOR DOOR

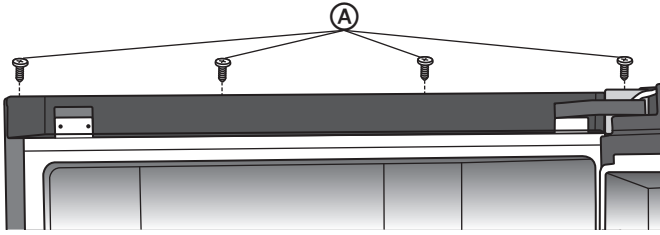
1. Unplug refrigerator or disconnect power.
2. Pull down to remove the hinge screw covers from the wiring cover.

NOTE: The wiring cover spans the width of the cabinet top.



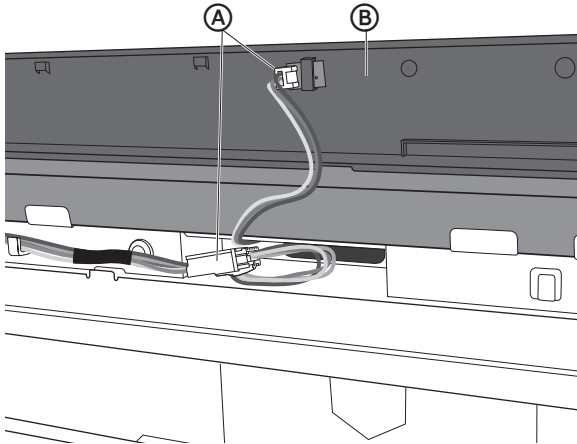
- Ⓐ Wiring Cover
Ⓑ Hinge Screw Covers

- Using a Phillips screwdriver, remove the four screws attaching the wiring cover to the top of the refrigerator cabinet. Lift up on the wiring cover and allow it to rest on the top of the cabinet.



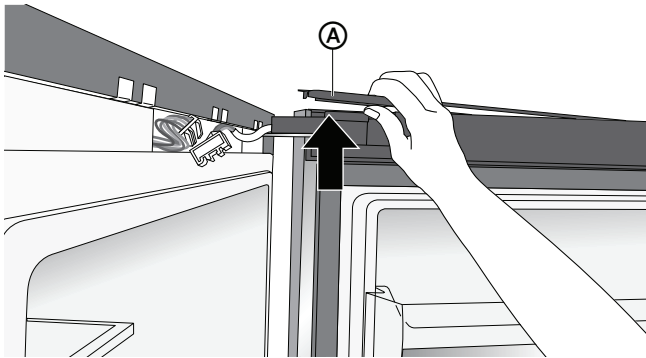
(A) Screws

- Disconnect the wiring harnesses, by pinching each end and gently pulling them apart. Set wiring cover aside.



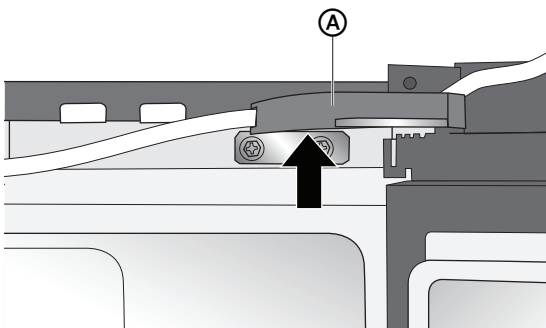
(A) Wiring Harnesses
(B) Wiring Cover

- With your thumbs in the opening next to the hinge, press upward on the top plate to release and remove it from the refrigerator door. Set the top plate aside.



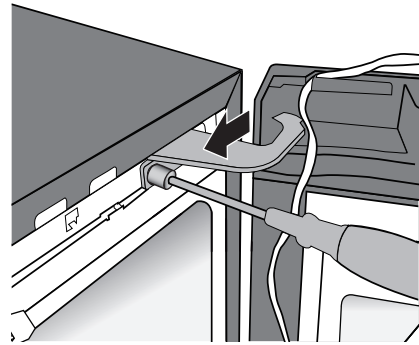
(A) Top Plate

- Lift up to remove the hinge cover, and keep it for possible future use.



(A) Hinge Cover

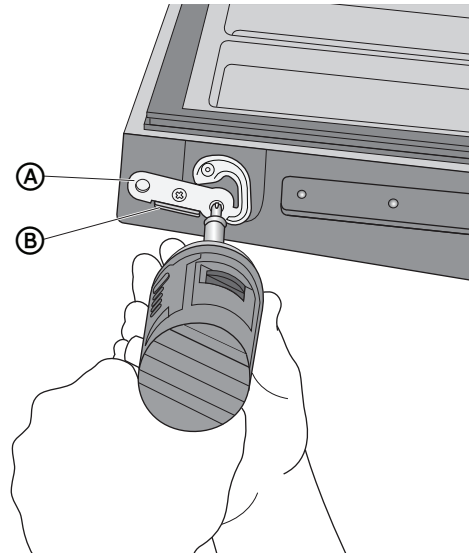
- Using an 8 mm socket wrench, remove the two screws attaching the top hinge to the cabinet.



- Slide the top hinge to disengage it from the third screw on the cabinet, and then lift up to remove the hinge pin from the door.

NOTE: Save the top hinge for possible future use.

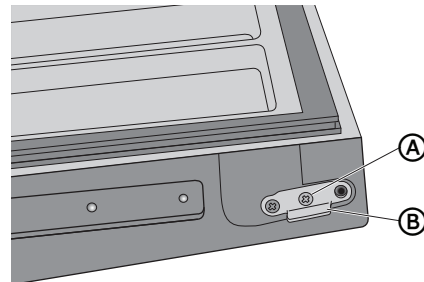
- Lift the refrigerator door off of the center hinge, and gently lay the door on a covered surface.
- Using a Phillips screwdriver, remove the plastic door closure and the metal door stop from the bottom of the door.



(A) Door Closure
(B) Door Stop

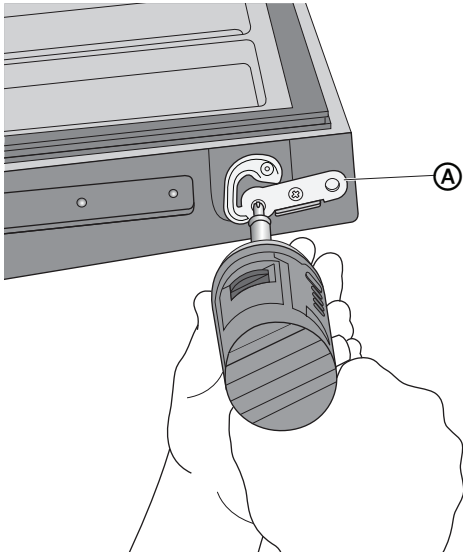
- Remove the screw from the door closure, and replace the screw into the hole from which it was removed.

- Move the door stop to the opposite side. Insert screw into the center hole and fasten.



(A) Screw
(B) Door Stop

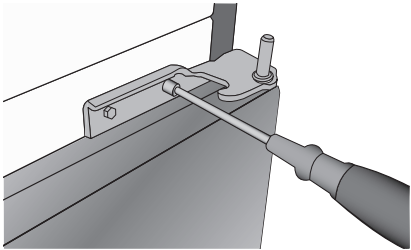
13. Move the door closure to the opposite side. Flip over the door closure so that the curved edge of the closure is toward the center of the door.
14. Remove innermost screw. Fit the door closure on top of the door stop screw, and fasten with the innermost screw.



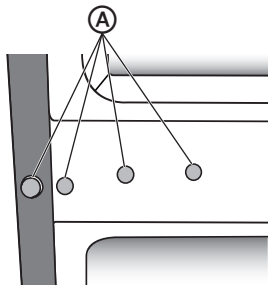
(A) Door Closure

REMOVE AND REVERSE FREEZER DOOR

1. Remove the two screws attaching the center hinge to the bottom of the refrigerator compartment. Remove the center hinge and save for possible future use.

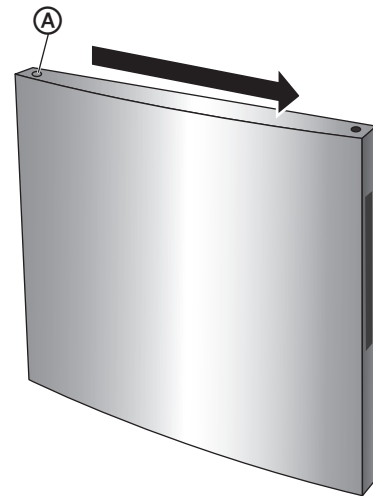


2. Lift the freezer compartment door from the bottom hinge.
3. Move the hole plugs and the screw to the opposite side.



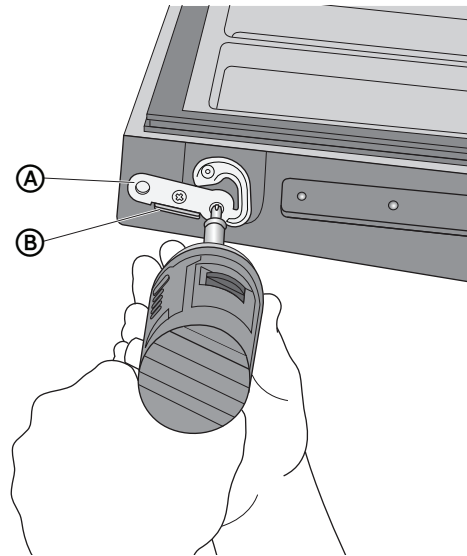
(A) Hole Plugs

4. Move the hole plug on the top of the freezer door to the opposite side.



(A) Hole Plug

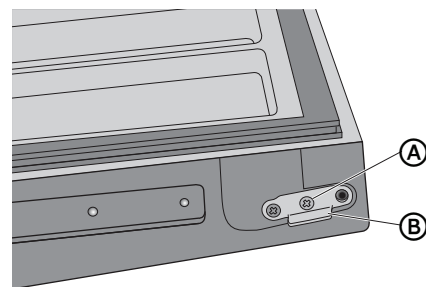
5. Using a Phillips screwdriver, remove the two screws fastening the plastic door closure and the metal door stop to the bottom of the door.



(A) Door Closure

(B) Door Stop

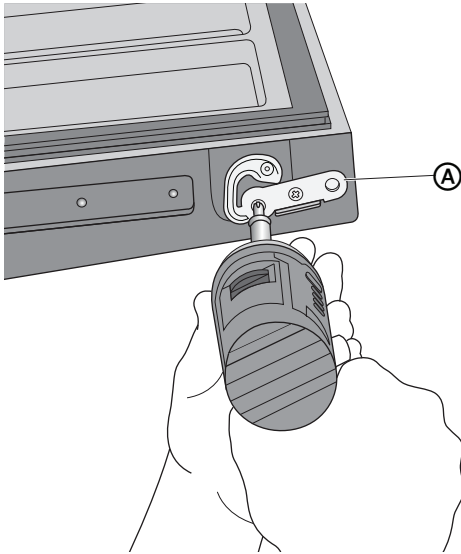
6. Remove the screw from the door closure, and replace the screw into the hole from which it was removed.
7. Move the door stop to the opposite side. Insert screw into the center hole and fasten.



(A) Screw

(B) Door Stop

8. Move the door closure to the opposite side. Flip over the door closure so that the curved edge of the closure is toward the center of the door.
9. Remove innermost screw. Fit the door closure on top of the door stop screw, and fasten with the innermost screw.



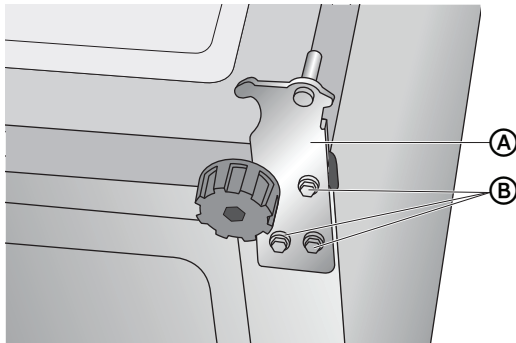
(A) Door Closure

⚠ WARNING

Excessive Weight Hazard

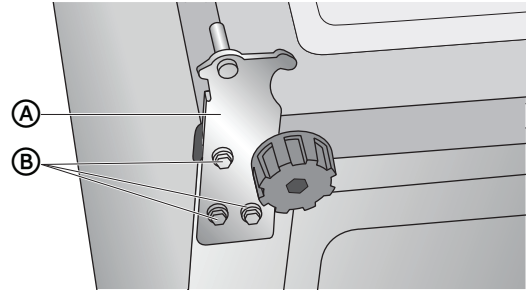
Use two or more people to move and install refrigerator.
Failure to do so can result in back or other injury.

10. Using two or more people lay the refrigerator on the floor.
11. Remove the three screws attaching the bottom hinge to the cabinet. Remove the bottom hinge and save for possible future use.



(A) Bottom Hinge
(B) Screws

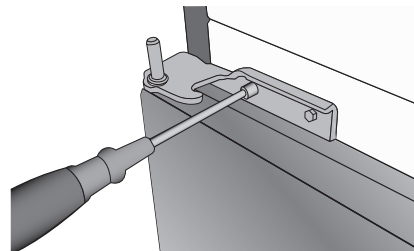
12. Remove a new bottom hinge from the accessory bag. Using the three screws removed earlier, fasten the bottom hinge to the opposite side of the cabinet.



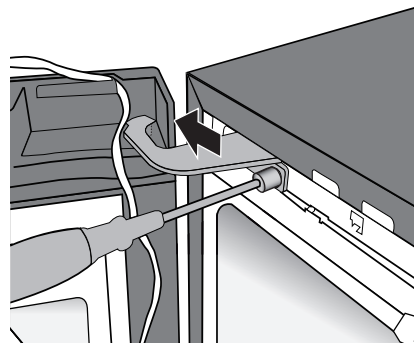
(A) Bottom Hinge
(B) Screws

REINSTALL DOORS

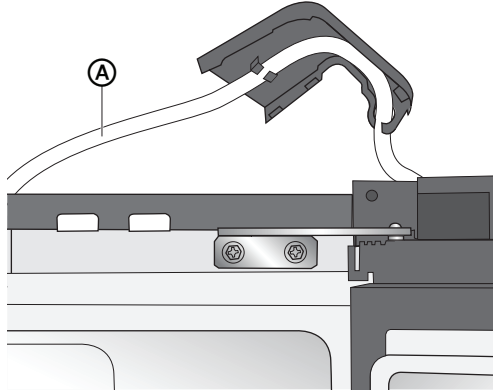
1. Align the hole in the bottom of the freezer compartment door with the hinge pin and gently lower the door onto the bottom hinge.
2. Align the edge of the freezer door with the side of the cabinet before installing the center hinge.
3. Remove the new center hinge from the accessory bag, insert the hinge pin into the top of the freezer compartment door, and then fasten the hinge to the bottom of the refrigerator compartment opening.



4. Remove the new top hinge from the accessory bag. Insert the hinge pin into the hinge hole in the top of the refrigerator door, and then gently lower the door onto the center hinge.
5. Align the edge of the refrigerator door with the side of the cabinet before fastening the top hinge.
6. Using the top hinge screws, removed earlier, fasten the top hinge to the refrigerator cabinet.

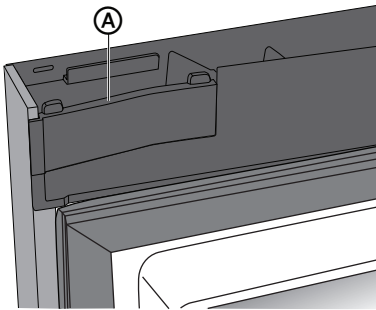


7. Remove the new hinge cover from the accessory bag. Insert the wiring cable through the clips on the underside of the cover, and then fit the cover over the hinge.



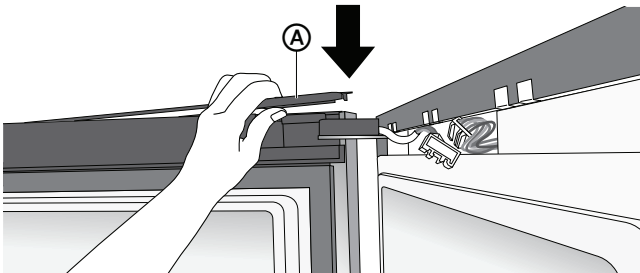
(A) Wiring Cable

8. Flip the hinge screw cover, and insert it into the interior edge of the door.



(A) Hinge Screw Cover

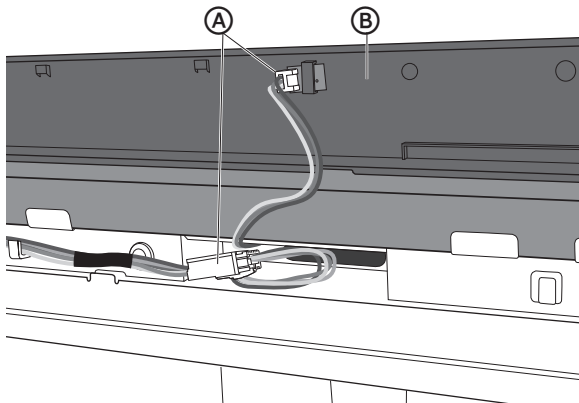
9. Replace the door top plate.



(A) Top Plate

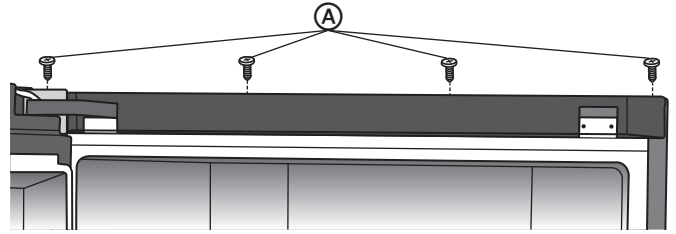
10. Connect the ends of both wire harnesses.

NOTE: Make sure the wiring is pressed firmly into the clips, and fit the excess length into the cabinet opening.



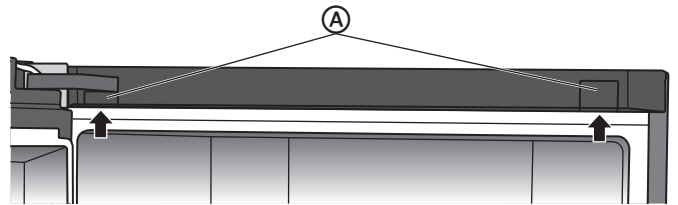
(A) Wiring Harnesses
(B) Wiring Cover

11. Replace the wiring cover on top of the refrigerator cabinet, and fasten with the four screws.



(A) Screws

12. Insert the hinge screw covers into the wiring cover on the top of the cabinet.



(A) Hinge Screw Covers

STEP 3 - COMPLETE THE INSTALLATION

⚠ WARNING



Electrical Shock Hazard

- Plug into a grounded 3 prong outlet.
- Do not remove the ground prong from the power cord plug.
- Do not use an adapter.
- Do not use an extension cord.
- Failure to do so can result in death, fire or electrical shock.

1. Plug into a grounded 3 prong outlet.
2. Return all removable door parts to door and food to refrigerator.

NOTE: This refrigerator begins operating as soon as it is connected to the power supply.

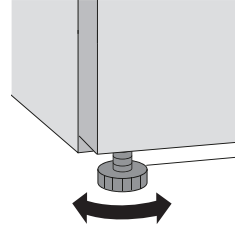
STEP 4 - LEVELING AND DOOR ADJUSTMENT (IF NEEDED)

The refrigerator must be level to maintain optimal performance and appearance.

LEVELING

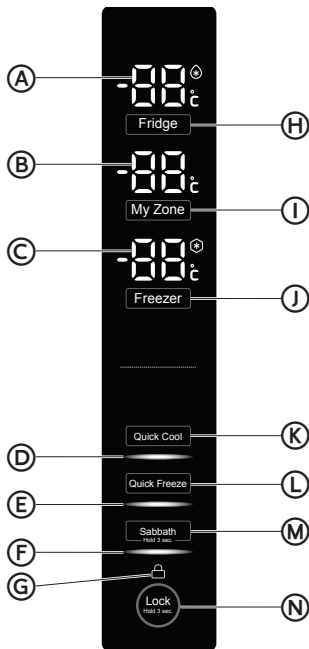
1. Move the refrigerator to its final location.
2. Turn the feet on the bottom, front of the cabinet to raise or lower that side of the refrigerator until the refrigerator is level side-to-side.
3. Turn both front legs, by the same amount, to slightly raise the front of the refrigerator. This will make it easier for the doors to close.

NOTE: Having someone push against the top of the refrigerator takes some weight off the leveling screws. This makes it easier to turn the screws.



REFRIGERATOR USE

USING THE CONTROLS



- | | |
|--|---------------------------------|
| (A) Refrigerator Temperature Indicator | (H) Fridge Temperature Control |
| (B) My Zone Temperature Indicator | (I) My Zone Temperature Control |
| (C) Freezer Temperature Indicator | (J) Freezer Temperature Control |
| (D) Quick Cool Indicator | (K) Quick Cool Control |
| (E) Quick Freeze Indicator | (L) Quick Freeze Control |
| (F) Sabbath Indicator | (M) Sabbath Mode Control |
| (G) Lock Indicator | (N) Lock Control |

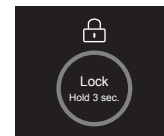
TOUCH PADS

The controls are touch pads, which respond when lightly touched.

CONTROL PANEL LOCK

The control panel is automatically locked after 30 seconds of non-use. To change any settings the control panel must be unlocked.

To Unlock the Control Panel:



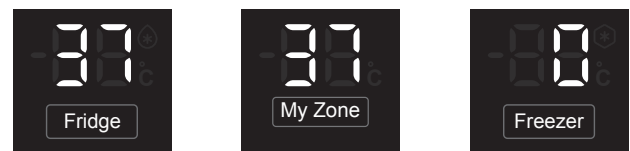
1. Press and hold LOCK for 3 seconds. The Lock indicator will turn OFF.



To Lock the Control Panel:

1. Press and hold LOCK for 3 seconds. The Lock indicator will turn on.

TEMPERATURE DISPLAY



When no buttons or doors are operated for 30 seconds, all the LEDs on display panel turn off.

When a button is pressed or a door opened, the LEDs on display panel illuminate.

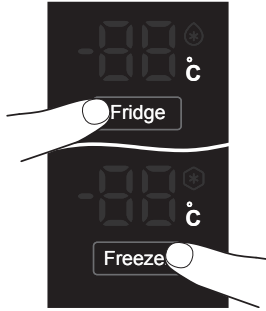
UNITS SELECT

The Units Select feature allows you to choose between displaying the set temperature in either degrees Fahrenheit (°F) or degrees Celsius (°C).

The default temperature unit is degrees Fahrenheit.

1. If locked, unlock the control panel by pressing and holding LOCK for 3 seconds.
2. Press and hold FRIDGE and FREEZER at the same time for 3 seconds. °C will appear next to the temperature display to indicate that the unit has been changed to degrees Celsius.

- To return to displaying the set temperature in degrees Fahrenheit, press and hold FRIDGE and FREEZER at the same time for 3 seconds. The °C will disappear from the Temperature display.



TEMPERATURE CONTROLS

The temperature range for the refrigerator compartment is 34°F to 42°F (1°C to 6°C). The temperature range for the freezer compartment is -6°F to 4°F (-21°C to -16°C). The temperature range for the My Zone compartment is 27°F to 41°F (-3°C to 5°C).

The refrigerator and My Zone compartments are preset to the recommended temperature of 37°F (3°C) and the freezer compartment is preset to the recommended temperature of 0°F (-18°C). When the refrigerator is first plugged in, the display will show the recommended temperature settings.

IMPORTANT:

- The recommended setting should be correct for normal household refrigerator use.
- When the refrigerator is first turned on, it may take up to 12 hours to cool to the preset temperatures. Wait 24 hours for your refrigerator to cool completely before adding food. If you add food before the refrigerator has cooled completely, your food may spoil.
- If the temperature is too warm or too cold in the refrigerator or freezer, first check the air vents to be sure they are not blocked before adjusting the controls.

Adjusting Controls

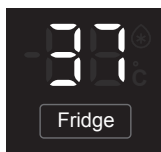
Except when first turning on the refrigerator, do not adjust either temperature more than one degree at a time. Wait 24 hours between adjustments for the temperature to stabilize.

NOTE: The temperature cannot be adjusted if any other control function such as Quick Freeze, Quick Cool or Sabbath Mode is activated, or the Control Panel is locked. The corresponding indicator will illuminate and a tone will sound.

To Adjust the Refrigerator Temperature:

- If locked, unlock the control panel by pressing and holding LOCK for 3 seconds.
- Press Fridge to adjust the temperature.

NOTE: The temperature increases by one degree and a tone sounds with each press of the button.



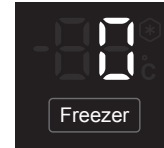
After 5 seconds have passed with no button being pressed the temperature setting confirms automatically.

To Adjust the Freezer Temperature:

- If locked, unlock the control panel by pressing and holding LOCK for 3 seconds.

- Press the Freezer button to adjust the temperature.

NOTE: The temperature decreases by one degree and a tone sounds with each press of the button.



After 5 seconds have passed with no button being pressed the temperature setting confirms automatically.

To Adjust the My Zone Temperature:

- If locked, unlock the control panel by pressing and holding LOCK for 3 seconds.
- Press MY ZONE to adjust the temperature.

NOTES:

- The temperature increases by two degrees F (one degree C) and a tone sounds with each press of the control.
- The temperature in the My Zone compartment cannot be set warmer than the temperature of the refrigerator compartment.



- Press any control except My Zone to confirm. The indicator light will stop flashing.

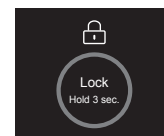
NOTE: Temperature setting will confirm automatically after 5 seconds have passed.

Setting	Description
35°F - 41°F (2°C - 5°C)	Fruits and Vegetables Suitable to store fruits and vegetables
27°F (-3°C)	Defrost Frozen Food Rapid cooling of beverages
29°F - 35°F (-2°C - 2°C)	Meats Suitable to store fresh fish, meat and cooked food for 1 to 2 days.

QUICK COOL

The Quick Cool feature accelerates the cooling of fresh food and protects the foods already stored from undesirable warming.

- If locked, unlock the control panel by pressing and holding LOCK for 3 seconds.



- Press the Quick Cool button. The Quick Cool indicators will illuminate.



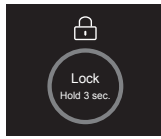
- Repeat steps 1 and 2 to manually turn off the Quick Cool feature.

NOTE: Quick Cool will automatically turn off after 3 hours.

QUICK FREEZE

The Quick Freeze function accelerates the freezing of fresh food and protects frozen food from undesirable warming. If you need to freeze a large amount of food, it is recommended to select the Quick Freeze feature a few hours in advance.

1. If locked, unlock the control panel by pressing and holding LOCK for 3 seconds.



2. Press the Quick Freeze button. The Quick Freeze indicators will illuminate.



3. Repeat steps 1 and 2 to manually turn off the Quick Freeze feature.

NOTE: Quick Freeze will automatically turn off after 24 hours.

SABBATH

The Sabbath function is designed for those whose religious observances require turning off the lights. All interior lights and alarms will be disabled.

1. If locked, unlock the control panel by pressing and holding LOCK for 3 seconds.
2. Press and hold SABBATH for 3 seconds until the Sabbath indicator illuminates.

NOTES:

- All alert tones and lights are deactivated.
- If Quick Cool and/or Quick Freeze was on, Sabbath mode turns off these features automatically.
- The Control Panel will remain unlocked while in Sabbath mode.



3. To deselect Sabbath mode, press and hold SABBATH for 3 seconds.

FEATURES

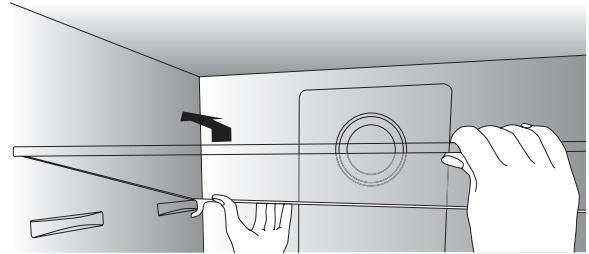
Important information to know about glass shelves and covers:

Do not clean glass shelves or covers with warm water when they are cold. Shelves and covers may break if exposed to sudden temperature changes or impact, such as bumping. Tempered glass is designed to shatter into many small, pebble-size pieces. This is normal. Glass shelves and covers are heavy. Use both hands when removing them to avoid dropping.

ADJUSTABLE SHELVES

The height of the shelves can be adjusted to fit your storage needs.

1. To remove a shelf, lift up on both the front and back edge to disengage the shelf hooks from the shelf supports along the refrigerator wall and pull it out.

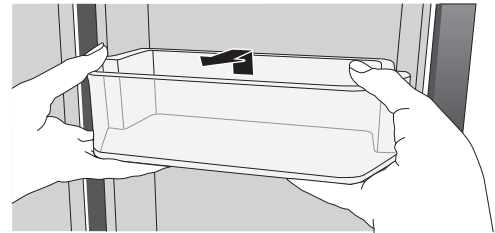


2. To reinstall a shelf, rest the shelf on both the front and rear supports. Push the shelf toward the rear of the refrigerator until the back of the shelf hooks around the rear shelf supports.

REMOVABLE DOOR BINS

To Remove/Replace a Door Bin:

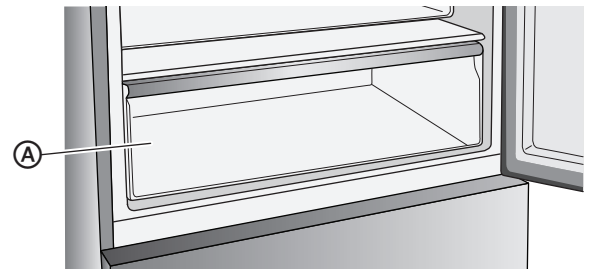
1. Place hands on both sides of the bin and lift upward, and pull out.
2. Replace the door bin by inserting it above the support and press down to engage.



MY ZONE DRAWER

The My Zone compartment allows you to store temperature sensitive foods at the correct temperature to ensure optimal nutritional value.

NOTE: My Zone is not recommended for the storage of cheese or cold-sensitive fruits and vegetables such as avocados, bananas, potatoes, cucumbers, tomatoes.



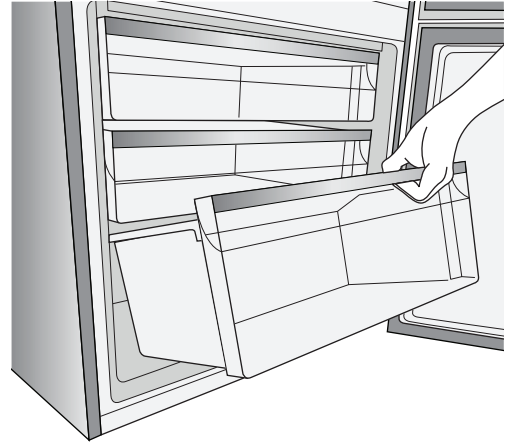
Ⓐ My Zone Drawer

REMOVABLE FREEZER STORAGE DRAWERS

IMPORTANT: Do not overload the drawers.

To Remove and Replace a Freezer Drawer:

1. Remove the freezer draw by extending the drawer fully, and then lift up on the drawer and pull out to remove.



2. Replace the drawer by tilting the back of the drawer downward onto the support and sliding it in.

REFRIGERATOR CARE

CLEANING

Both the refrigerator and freezer sections defrost automatically. However, clean both sections about once a month to avoid buildup of odors. Wipe up spills immediately.

Because air circulates between both sections, any odors formed in one section will transfer to the other. You must thoroughly clean both sections to eliminate odors. To avoid odor transfer and drying out of food, wrap or cover foods tightly.

⚠ WARNING



Explosion Hazard

Use nonflammable cleaner.

Failure to do so can result in death, explosion or fire.

IMPORTANT:

- Do not use harsh chemicals, ammonia, chlorine bleach, concentrated detergent, solvents, abrasives or metal scouring pads to clean your refrigerator inside or out. They can damage and/or discolor the refrigerator finish.
- Do not use warm water to clean glass shelves while they are still cold. Glass may break when exposed to sudden temperature changes or impact.

⚠ WARNING



Electrical Shock Hazard

Unplug your appliance or disconnect power before cleaning.

Failure to do so can result in death, electric shock or personal injury.

1. Unplug refrigerator or disconnect power.
2. Clean the interior. Hand wash, rinse, and dry removable parts and interior surfaces thoroughly. Use a clean sponge or soft cloth and a mild detergent in warm water.
3. Clean the exterior surfaces.

Painted metal: Wash painted metal exteriors with a clean, soft cloth or sponge and a mild detergent in warm water. Rinse surfaces with clean, warm water and dry immediately to avoid water spots.

Stainless steel: Stainless steel is corrosion resistant and not corrosion-proof. To help avoid corrosion of your stainless steel, wash stainless steel surfaces with a clean, soft cloth or sponge and a mild detergent in warm water. Rinse surfaces with clean, warm water and dry immediately to avoid water spots.

NOTE: When cleaning stainless steel, always wipe in the direction of the grain to avoid cross-grain scratching.

4. Plug in refrigerator or reconnect power.

LIGHTS

The interior lights of the refrigerator turn off when the doors are open for more than 7 minutes.

IMPORTANT: Your refrigerator is equipped with LED lighting. These lights are designed to last for the life of your refrigerator. However, if the lights stop operating, please contact a qualified technician for replacement.

VACATION AND MOVING CARE

⚠️ WARNING



Fire or Explosion Hazard

- Do not puncture refrigerant tubing.
- Follow handling instructions carefully.
- Flammable refrigerant used.
- Failure to do so can result in death, explosion or fire.

VACATION

If You Choose to Leave the Refrigerator On While You're Away:

1. Use up any perishables and freeze other items.

If You Choose to Turn Off the Refrigerator Before You Leave:

1. Remove all food from the refrigerator and freezer.
2. Unplug refrigerator or disconnect power.
3. Clean refrigerator, wipe it, and dry well.
4. Tape rubber or wood blocks to the tops of both doors to prop them open far enough for air to get in. This stops odor and mold from building up.

MOVING

⚠️ WARNING

Excessive Weight Hazard

- Use two or more people to move and install refrigerator.
- Failure to do so can result in back or other injury.

When you are moving your refrigerator to a new home, follow these steps to prepare it for the move.

1. Remove all food from the refrigerator and pack all frozen food in dry ice.
2. Unplug refrigerator.
3. Clean, wipe, and dry thoroughly.
4. Take out all removable parts, wrap them well, and tape them together so they don't shift and rattle during the move.
5. Raise the leveling legs so they don't scrape the floor. See "Leveling."
6. Tape the doors closed and tape the power cord to the back of the refrigerator.
7. When you get to your new home, replace removable parts. Refer to the "Installation Instructions" section to prepare the refrigerator for use.

REINSTALLING/USING REFRIGERATOR AGAIN

If the refrigerator has been placed in a horizontal or tilted position for any period of time wait 24 hours before plugging it in to allow the refrigerant to settle.

1. Clean refrigerator. See "Cleaning."
2. Place refrigerator in desired location and level. See "Installation Instructions."

TROUBLESHOOTING

Try the solutions suggested here first in order to avoid the cost of an unnecessary service call.

REFRIGERATOR IS NOT OPERATING

PROBLEM	POSSIBLE CAUSE(S)	SOLUTION
Refrigerator does not run.	Refrigerator is unplugged.	Plug power cord into power source.
	Breaker is tripped or turned off / Fuse is blown.	Reset / Turn on breaker or replace fuse.
	Refrigerator is in defrost mode.	Wait about 40 minutes for defrost cycle to end and cooling system to restart.
Refrigerator compressor runs frequently or for long periods of time. NOTE: This refrigerator is designed to run for longer periods of time at a lower energy usage.	Refrigerator is first plugged in.	This is normal. Allow 24 hours for the refrigerator to cool down.
	Warm or large amounts of food added.	This is normal.
	Door is left open.	Ensure that door is not being held open by an item.
	Hot weather or frequent openings	This is normal.
	Temperature control set to coldest setting.	Adjust temperature to a warmer setting.

Refrigerator has an odor	Food is not sealed or packaged properly.	Reseal packaging. Place an opened box of baking soda in the refrigerator, replace every 3 months.
	Interior needs to be cleaned.	Clean the interior. See "Cleaning."
	Food stored too long.	Dispose of spoiled food.
Light does not come on	Refrigerator is unplugged.	Plug refrigerator in to power source.
	LED light is burned out.	Contact a qualified technician to replace the burned out LED.
	Sabbath Mode is activated.	Lights are disabled in Sabbath mode. To turn on lights you must turn off Sabbath Mode. See "Sabbath Mode" for instructions.
Doors do not close properly	Refrigerator is not level.	See "Leveling."
	Something is obstructing door closure.	Check for and remove obstructions.
Vibration or rattling	Refrigerator is not resting firmly on floor.	See "Leveling."
Normal Sounds	It sounds like water is flowing from the refrigerator.	Refrigerant flowing in the lines will make this sound when the compressor starts and stops.
		The refrigerator has an automatic defrosting system. The defrosted water will make this sound.
	Humming or buzzing sounds	The compressor and fans for cold air circulation can make this sound. If the refrigerator is not level, the sound will be louder.
	Cracking or clicking sounds	The interior parts will make this sound as they contract and expand in response to temperature changes.

TEMPERATURE AND MOISTURE

PROBLEM	POSSIBLE CAUSE(S)	SOLUTION
Refrigerator or freezer is too warm	Temperature control is not set low enough.	Adjust the compartment to a colder setting; allow 24 hours for the temperature to adjust.
	Doors opened frequently or left open.	Keep door closed / Check that a package is not preventing door from closing.
	Warm food added recently.	Allow time for food and refrigerator to cool.
	The space between the back of the refrigerator and the wall is too close.	Allow 2" (5 cm) space between the back of the refrigerator and the wall.
	Items against back of compartments are blocking proper airflow.	Store items only inside the trim of the glass shelves; don't place items against sides of the compartments or directly in front of any vents.
Refrigerator or freezer is too cold	Temperature control is set too low.	Adjust temperature in the compartment to the next warmer setting; allow 24 hours to adjust.
Moisture on exterior/interior of refrigerator	High humidity	This is normal. Dry surface and adjust temperature to slightly colder setting. Turn on the "Dehumidify" function if moisture appears on the hinged bar on the left-hand refrigerator door.
	Doors opened frequently or left open.	Keep door closed. Check that a package is not preventing door from closing.
	Open container of water in refrigerator	Cover or seal container.
Frost or ice crystals on frozen food	Freezer door left open or opened frequently.	Adjust the temperature to a warmer setting; allow 24 hours to adjust.
	Items blocking freezer air vents and preventing proper air flow.	Move items away from rear wall.
Food freezing in refrigerator	Food placed too close to the air vent.	Move items away from back and top of the refrigerator.
	Temperature control set too cold.	Adjust the temperature to a less cold setting.

FOR MORE HELP, VISIT HAIERAMERICA.COM OR CALL THE CONSUMER HELP LINE AT 1-877-337-3639.

LIMITED WARRANTY

IN-HOME SERVICE

FULL ONE YEAR WARRANTY

For 12 months from the date of original retail purchase, Haier will repair or replace any part free of charge including labor that fails due to a defect in materials or workmanship.

Haier may replace or repair at their sole discretion any part, sub system including the entire product.

Product must be accessible, without encumbrance and installed properly to receive for warranty repair service.

LIMITED WARRANTY

After one year from the original retail purchase date, Haier will provide a part at no cost, as indicated below, to replace said part as a result of a defect in materials or workmanship. Haier is solely responsible for the cost of the part. All other costs, such as labor, trip charge, etc., are the responsibility of the owner.

Second through Fifth Year

For 60 months from the date of original retail purchase. The components of the sealed system (e.g. hermetic compressor, condenser and evaporator) from manufacturing defects. Any damage to such components caused by mechanical abuse or improper shipping and handling will not be covered.

NOTE: This warranty commences on the date the item was purchased, and the original purchase receipt must be presented to the authorized service representative before warranty repairs are rendered.

Exceptions: Commercial Use Warranty

90 days labor from date of original purchase

90 days parts from date of original purchase

No other warranty applies.

FOR WARRANTY SERVICE

All service must be performed by a Haier authorized service center. For the name and telephone number of the nearest authorized service center, please call 1-877-337-3639.

Before calling please have available the following information:

Model number and serial number of your appliance. The name and address of the dealer you purchased the unit from and the date of purchase.

A clear description of the problem.

A proof of purchase (sales receipt).

This warranty covers home appliance services within the contiguous United States and Canada and where available in Alaska, Hawaii and Puerto Rico.

What is not covered by this warranty:

Replacement or repair of household fuses, circuit breakers, wiring or plumbing.

A product whose original serial number has been removed or altered.

Any service charges not specifically identified as normal such as normal service area or hours.

Replacement of light bulbs.

Damage incurred in shipping.

Damage caused by improper installation or maintenance.

Damage from misuse, abuse accident, fire, flood, or acts of nature.

Damage from service other than an authorized Haier dealer or service center.

Damage from incorrect electrical current, voltage or supply.

Damage resulting from any product modification, alteration or adjustment not authorized by Haier.

Adjustment of consumer operated controls as identified in the owner's manual.

Hoses, knobs, lint trays and all attachments, accessories and disposable parts.

Labor, service transportation, and shipping charges for the removal and replacement of defective parts beyond the initial 12-month period.

Damage from other than normal household use.

Any transportation and shipping charges.

THIS LIMITED WARRANTY IS GIVEN IN LIEU OF ALL OTHER WARRANTIES, EXPRESS ED OR IMPLIED, INCLUDING BUT NOT LIMITED TO, THE WARRANTIES OF MERCHANTABILITY AND FITNESS FOR A PARTICULAR PURPOSE

The remedy provided in this warranty is exclusive and is granted in lieu of all other remedies.

This warranty does not cover incidental or consequential damages, so the above limitations may not apply to you. Some states do not allow limitations on how long an implied warranty lasts, so the above limitations may not apply to you.

This warranty gives you specific legal rights, and you may have other rights, which vary from state to state.

Haier America
Wayne, NJ 07470

TABLE DES MATIÈRES

SÉCURITÉ DU RÉFRIGÉRATEUR	18
PIÈCES ET CARACTÉRISTIQUES	19
EXIGENCES D'INSTALLATION	20
Exigences d'emplacement.....	20
Spécifications électriques.....	20
INSTRUCTIONS D'INSTALLATION	21
Étape 1 - Déballage du réfrigérateur	21
Étape 2 - Inversion du sens d'ouverture des portes	21
Étape 3 - Achever l'installation	26
Étape 4 - Nivellement et ajustement des portes	26
UTILISATION DU RÉFRIGÉRATEUR	26
Utilisation des commandes.....	26
Caractéristiques	28
ENTRETIEN DU RÉFRIGÉRATEUR	29
Nettoyage	29
Éclairage.....	30
Précautions à prendre pour les vacances ou le déménagement	30
Réinstallation/réutilisation du réfrigérateur	30
DÉPANNAGE	31
GARANTIE LIMITÉE	33

DOCUMENTS À CONSERVER

Merci d'avoir acheté ce produit Haier. Ce manuel vous aidera à obtenir les meilleures performances de votre nouveau réfrigérateur.

Pour référence ultérieure, notez le modèle et le numéro de série situés sur la paroi interne du compartiment de réfrigération, et la date d'achat.

Pour faciliter l'obtention d'un service sous garantie, agrafez la preuve de la date d'achat à ce manuel.

Numéro de modèle

Numéro de série

Date d'achat

SÉCURITÉ DU RÉFRIGÉRATEUR

Votre sécurité et celle des autres est très importante.

Nous donnons de nombreux messages de sécurité importants dans ce manuel et sur votre appareil ménager. Assurez-vous de toujours lire tous les messages de sécurité et de vous y conformer.



Voici le symbole d'alerte de sécurité.

Ce symbole d'alerte de sécurité vous signale les dangers potentiels de décès et de blessures graves à vous et à d'autres. Tous les messages de sécurité suivront le symbole d'alerte de sécurité et le mot "DANGER," "AVERTISSEMENT" ou "ATTENTION."

Ces mots signifient :

⚠ DANGER

Une situation de danger imminent. Vous courez le risque d'un décès ou de blessures graves si vous ne suivez pas immédiatement les instructions.

⚠ AVERTISSEMENT

Une situation potentiellement dangereuse qui, si vous ne l'évitez pas, peut provoquer la mort ou des blessures graves.

⚠ ATTENTION

Une situation potentiellement dangereuse qui, si vous ne l'évitez pas, peut entraîner des blessures légères à modérées.

Tous les messages de sécurité vous diront quel est le danger potentiel et vous disent comment réduire le risque de blessure et ce qui peut se produire en cas de non-respect des instructions.

IMPORTANTES INSTRUCTIONS DE SÉCURITÉ

AVERTISSEMENT : Afin de réduire le risque d'incendie, de choc électrique, de blessures corporelles ou de dommage lors de l'utilisation du réfrigérateur, il convient d'observer certaines précautions fondamentales, notamment :

- Utiliser cet appareil uniquement dans le but auquel il est destiné et tel que décrit dans le présent manuel d'utilisation.
- Avant utilisation, ce réfrigérateur doit être correctement installé conformément aux instructions d'installation. Voir les instructions de mise à la terre incluses dans les instructions d'installation.
- Utilisation d'un liquide frigorigène inflammable. Ne pas dégivrer le réfrigérateur par des moyens mécaniques. Ne pas perforer le circuit frigorigène.
- Utilisation d'un liquide frigorigène inflammable. Toute réparation doit être effectuée par un technicien de service qualifié. Ne pas perforer le circuit frigorigène.
- Utilisation d'un liquide frigorigène inflammable. Mettre au rebut d'une manière appropriée en conformité avec la législation fédérale ou locale.
- Utilisation d'un liquide frigorigène inflammable. Suivre attentivement les instructions de manipulation. Risque d'incendie ou d'explosion dû à la perforation du circuit frigorigène.
- Brancher sur une prise de courant à 3 alvéoles, reliée à la terre.
- Ne pas enlever la prise de liaison à la terre.
- Ne pas utiliser d'adaptateur.
- Ne pas utiliser de rallonge.
- Ne réparer ni remplacer aucune pièce de l'appareil sans recommandation spécifique du manuel. Toutes les autres tâches d'entretien doivent être effectuées par un technicien qualifié.
- Déconnecter la source de courant électrique avant l'intervention.
- Replacer pièces et panneaux avant de faire la mise en marche.
- Utiliser un produit de nettoyage ininflammable.
- Tenir les matières et les vapeurs inflammables, telles que l'essence, à l'écart du réfrigérateur.
- Les bords de la caisse, les zones de découpe et les zones comportant un code d'identification ou des découpes peuvent être tranchantes. Tenir les mains, les doigts ou autres appendices éloignés de ces zones.
- Avant de jeter l'appareil ou de le rendre inutilisable, retirer les portes. Cela réduira la possibilité de danger pour les enfants.

LIRE ET CONSERVER CES INSTRUCTIONS

MISE AU REBUT DE VOTRE ANCIEN RÉFRIGÉRATEUR

⚠ AVERTISSEMENT

Risque de suffoquer

Ôter les portes de votre ancien réfrigérateur.

Le non-respect de cette instruction peut causer un décès ou des lésions cérébrales.

IMPORTANT : Le problème des enfants pouvant se retrouver coincés et suffoquer n'est pas un problème du passé. Un réfrigérateur jeté ou abandonné est encore dangereux, même s'il est laissé abandonné pendant "quelques jours seulement". Si vous vous débarrassez de votre ancien réfrigérateur, veuillez suivre les instructions suivantes pour aider à éviter les accidents.

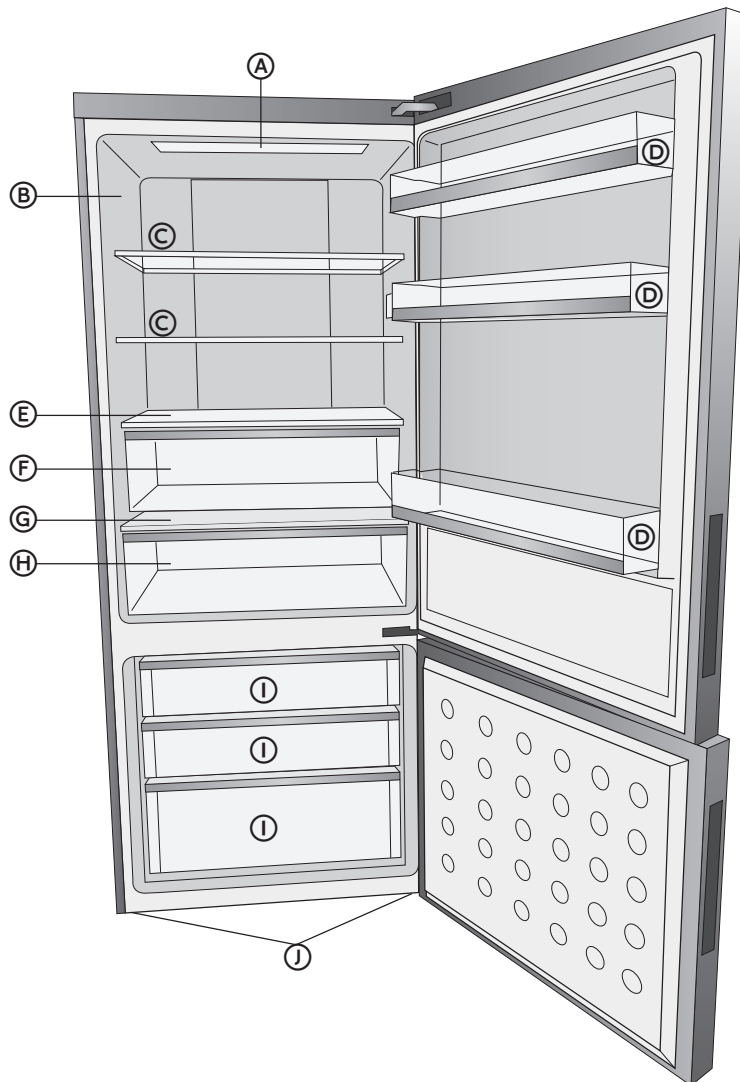
Avant de jeter votre ancien réfrigérateur ou congélateur :

- Ôter les portes.
- Laisser les tablettes en place de sorte que les enfants ne puissent pas y pénétrer facilement.

Informations importantes à propos de la mise au rebut de réfrigérants :

Mettre le réfrigérateur au rebut en conformité avec la législation fédérale ou locale. Les réfrigérants doivent être évacués par un technicien en réfrigération agréé et certifié EPA en conformité avec les procédures établies.

PIÈCES ET CARACTÉRISTIQUES



(A) Éclairage à DEL

(B) Plaque signalétique

(C) Tablettes en verre (2)

(D) Balconnets du réfrigérateur (3)

(E) Couvercle du tiroir du réfrigérateur

(F) Tiroir du réfrigérateur

(G) Couvercle MY Zone

(H) Tiroir MY Zone

(I) Tiroirs de rangement du congélateur (3)

(J) Pieds de nivellement réglables (2)

EXIGENCES D'INSTALLATION

EXIGENCES D'EMPLACEMENT

⚠ AVERTISSEMENT



Risque d'explosion

Garder les matériaux et les vapeurs inflammables, telles que l'essence, loin de l'appareil.

Le non-respect de cette instruction peut causer un décès, une explosion ou un incendie.

IMPORTANT : Ce réfrigérateur est conçu pour un usage domestique, à l'intérieur uniquement.

Pour obtenir une aération appropriée pour votre réfrigérateur, laisser un espace de 1" (2,54 cm) de chaque côté et au sommet. Laisser un espace de 2" (5,08 cm) derrière le réfrigérateur. En cas d'installation du réfrigérateur près d'une cloison fixe, laisser un minimum de 4" (10 cm) pour permettre à la porte de s'ouvrir sans obstruction.

REMARQUE : Ce réfrigérateur est conçu pour être utilisé dans un endroit où la température est comprise entre un minimum de 55°F (13°C) et un maximum de 110°F (43°C). La plage de température ambiante idéale pour une performance optimale est comprise entre 60°F (15°C) et 90°F (32°C). Respecter cette plage de température permet aussi de réduire la consommation d'électricité et d'optimiser l'efficacité du refroidissement. Il est recommandé de ne pas installer le réfrigérateur près d'une quelconque source de chaleur, telle qu'un four ou un radiateur.

SPÉCIFICATIONS ÉLECTRIQUES

⚠ AVERTISSEMENT



Risque de choc électrique

Brancher sur une prise à 3 alvéoles reliée à la terre.

Ne pas enlever la broche de liaison à la terre du cordon d'alimentation.

Ne pas utiliser un adaptateur.

Ne pas utiliser un câble de rallonge.

Le non-respect de cette instruction pourrait causer un décès, un incendie ou un choc électrique.

Avant de déplacer le réfrigérateur à son emplacement final, il est important de vous assurer d'avoir le raccordement électrique approprié.

Méthode recommandée de liaison à la terre

Chaque appareil doit être alimenté par un circuit 115 volts (CA seulement, 60 Hz) relié à la terre et protégé par un fusible de capacité 15 A ou 20 A. Il est recommandé d'utiliser un circuit distinct pour alimenter le réfrigérateur uniquement. Utiliser une prise de courant dont l'alimentation ne peut pas être interrompue par un interrupteur. Ne pas utiliser de rallonge.

REMARQUE : Avant d'exécuter tout type d'installation, nettoyage ou remplacement d'une ampoule d'éclairage, déconnecter le réfrigérateur de la source de courant électrique. Une fois l'opération terminée, reconnecter le réfrigérateur à la source de courant électrique et remettre les commandes de température au réglage désiré.

INSTRUCTIONS D'INSTALLATION

ÉTAPE 1 - DÉBALLAGE DU RÉFRIGÉRATEUR

⚠ AVERTISSEMENT

Risque du poids excessif

Utiliser deux ou plus de personnes pour déplacer et installer le réfrigérateur.

Le non-respect de cette instruction peut causer une blessure au dos ou d'autres blessures.

⚠ AVERTISSEMENT



Incendie ou Risque d'explosion

Ne pas perforer le circuit frigorigène.

Suivre attentivement les instructions de manipulation.

Utilisation d'un liquide frigorigène inflammable.

Le non-respect de cette instruction peut causer un décès, une explosion ou un incendie.

IMPORTANT : Manipuler le réfrigérateur avec précautions lorsqu'il est déplacé soit pour éviter d'endommager le circuit frigorigène, soit pour diminuer le risque de fuites.

RETRAIT DES MATÉRIEAUX D'EMBALLAGE

- Enlever tout résidu de ruban adhésif et de colle des surfaces du réfrigérateur avant de le mettre en marche. Frotter une petite quantité de savon liquide à vaisselle sur l'adhésif avec les doigts. Rincer à l'eau tiède et sécher.
- Ne pas utiliser d'instruments coupants, d'alcool à friction, de liquides inflammables ou de nettoyants abrasifs pour enlever le ruban adhésif ou la colle. Ces produits peuvent endommager la surface du réfrigérateur. Pour plus de renseignements, voir "Sécurité du réfrigérateur".
- Jeter/recycler tous les matériaux d'emballage.

Lors du déplacement de votre réfrigérateur :

Votre réfrigérateur est lourd. Lors du déplacement de votre réfrigérateur pour le nettoyage ou un entretien ou réparation, veiller à recouvrir le plancher avec du carton ou un panneau de fibre dur pour éviter qu'il ne subisse tout dommage. Toujours tirer le réfrigérateur tout droit lors du déplacement. Ne pas incliner le réfrigérateur d'un côté ou de l'autre ni le "faire marcher" en essayant de le déplacer car le sol pourrait être endommagé.

NETTOYAGE AVANT UTILISATION

Après avoir enlevé tous les matériaux d'emballage, nettoyer l'intérieur du réfrigérateur avant de l'utiliser. Voir les instructions de nettoyage dans "Entretien du réfrigérateur".

Informations importantes à propos des tablettes et des couvercles en verre :

Ne pas nettoyer les tablettes ou les couvercles de verre avec de l'eau tiède lorsqu'ils sont froids. Les tablettes et couvercles peuvent se briser s'ils sont exposés à des changements de températures ou impacts soudains, tels qu'une chute. Le verre trempé est conçu pour se briser en de multiples petits morceaux de la taille de gravillons. Ceci est normal. Les tablettes en verre et les couvercles sont lourds. Les retirer à deux mains pour éviter de les faire tomber.

ÉTAPE 2 - INVERSION DU SENS D'OUVERTURE DES PORTES

(FACULTATIF)

Les charnières des portes ont été installées à l'usine sur le côté droit de l'appareil. Si l'on souhaite que les portes s'ouvrent sur le côté opposé, le sens d'ouverture de la porte peut alors être inversé.

IMPORTANT :

- Avant de commencer, débrancher le réfrigérateur ou déconnecter la source de courant électrique.
- Enlever les aliments et les balconnets de la porte du réfrigérateur.
- Les charnières de porte sont spécifiquement conçues pour une ouverture sur la droite ou sur la gauche. Remplacer les charnières pour une ouverture sur la droite par les charnières pour une ouverture sur la gauche fournies dans le sachet de pièces. Après leur retrait, garder les charnières pour ouverture sur la droite au cas où vous auriez ultérieurement besoin d'inverser le sens d'ouverture de la porte.

Pièces fournies :

- Charnière supérieure
- Charnière centrale
- Charnière inférieure

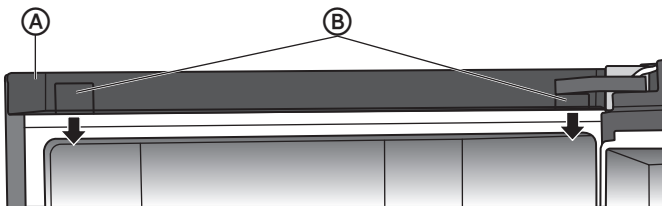
Outillage nécessaire :

- Tournevis à lame plate
- Tournevis Phillips
- Clé à douille de 8 mm

RETRAIT ET INVERSION DU SENS D'OUVERTURE DE LA PORTE DU RÉFRIGÉRATEUR

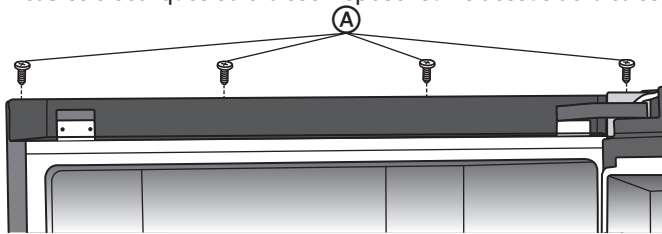
1. Débrancher le réfrigérateur ou déconnecter la source de courant électrique.
2. Tirer vers le bas pour retirer les caches des vis de charnière du couvercle du logement des câbles électriques.

REMARQUE : Le couvercle du logement des câbles électriques s'étend sur toute la largeur, au sommet de la caisse de l'appareil.



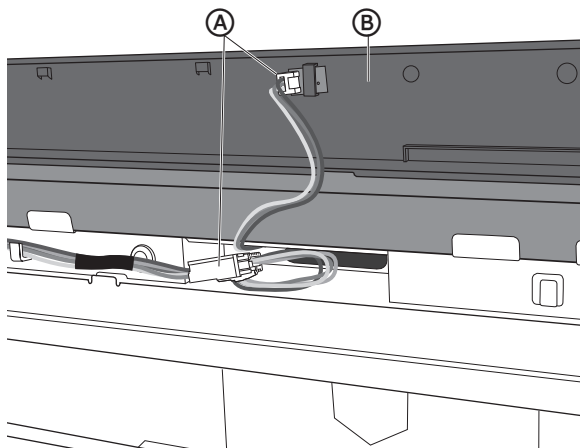
- (A) Couvercle du logement des câbles électriques
- (B) Caches des vis de charnière

3. À l'aide d'un tournevis Phillips, retirer les quatre vis fixant le couvercle du logement des câbles électriques au sommet de la caisse du réfrigérateur. Soulever le couvercle du logement des câbles électriques et le laisser reposer sur le dessus de la caisse.



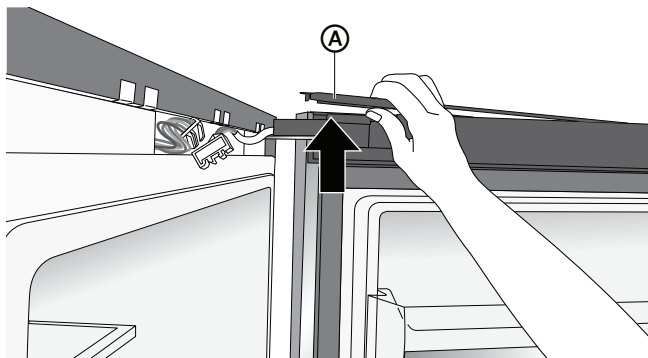
- (A) Vis

4. Débrancher les faisceaux de câbles électriques, en pinçant chaque extrémité, puis en les tirant délicatement pour les retirer. Mettre le couvercle du logement des câbles électriques de côté.



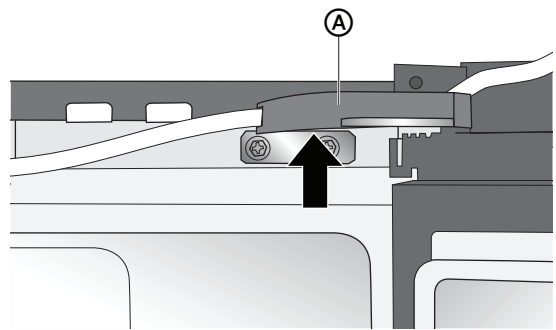
- (A) Faisceaux de câbles électriques
- (B) Couvercle du logement des câbles électriques

5. En plaçant les pouces dans l'ouverture juxtaposée à la charnière, appuyer vers le haut sur la plaque supérieure pour la dégager et la retirer de la porte du réfrigérateur. Mettre la plaque supérieure de côté.



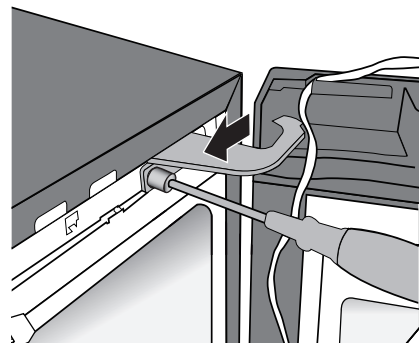
- (A) Plaque supérieure

6. Soulever pour retirer le couvre-charnière, en le gardant pour une éventuelle utilisation ultérieure.



- (A) Couvercle-charnière

7. À l'aide d'une clé à douille de 8 mm, retirer les deux vis fixant la charnière supérieure à la caisse.

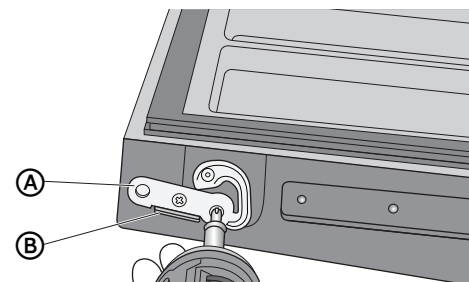


8. Faire glisser la charnière supérieure pour la dégager de la troisième vis sur la caisse, puis soulever pour retirer l'axe de la charnière de la porte.

REMARQUE : Garder la charnière supérieure pour une éventuelle utilisation ultérieure.

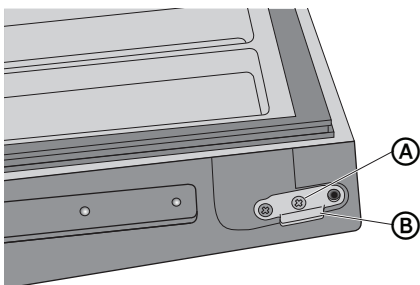
9. Soulever la porte du réfrigérateur de sorte de la dégager de la charnière centrale, puis coucher délicatement la porte sur une surface protégée.

10. À l'aide d'un tournevis Phillips, retirer le dispositif de fermeture en plastique de la porte, ainsi que la butée en métal au bas la porte.



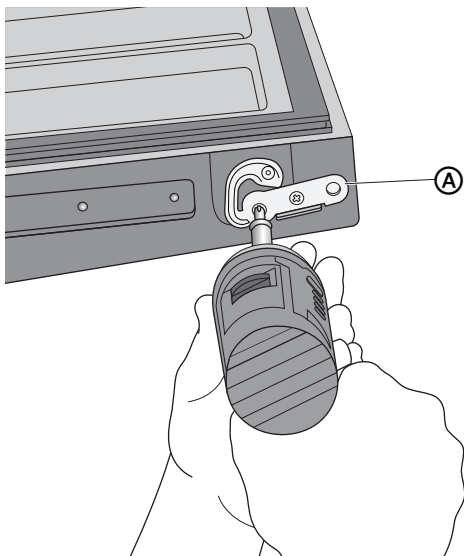
- (A) Dispositif de fermeture de la porte
- (B) Butée de porte

11. Enlever la vis du dispositif de fermeture de la porte, puis la réinstaller dans le trou duquel elle a été retirée.
12. Déplacer la butée de porte de l'autre côté. Insérer la vis dans le trou central, puis serrer.



(A) Vis
(B) Butée de porte

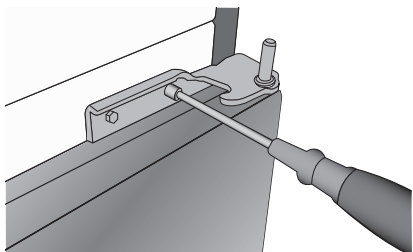
13. Déplacer le dispositif de fermeture de la porte de l'autre côté. Retourner le dispositif de fermeture de la porte de sorte que le côté incurvé de la fermeture soit orienté vers le centre de la porte.
14. Retirer la vis située le plus à l'intérieur. Placer le dispositif de fermeture par-dessus la vis de la butée de porte, puis serrer avec la vis située le plus à l'intérieur.



(A) Dispositif de fermeture de la porte

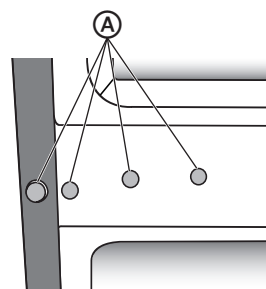
RETRAIT ET INVERSION DU SENS D'OUVERTURE DE LA PORTE DU CONGÉLATEUR

1. Retirer les 2 vis fixant la charnière centrale au bas du compartiment de réfrigération. Retirer la charnière centrale, puis la mettre de côté pour une éventuelle utilisation ultérieure.



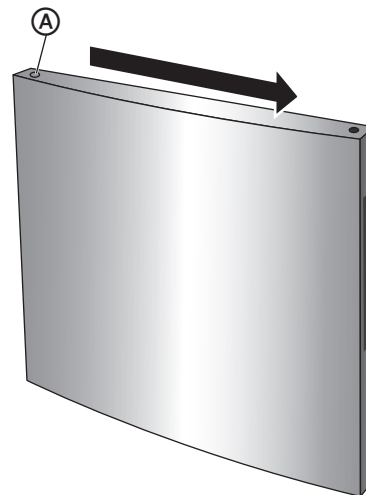
2. Soulever la porte du congélateur pour la dégager de la charnière inférieure.

3. Déplacer les cache-orifices et la vis du côté opposé.



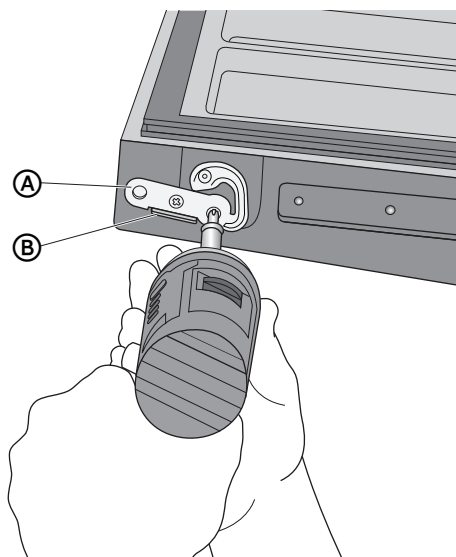
(A) Cache-orifices

4. Déplacer le cache-orifice du sommet de la porte du congélateur de l'autre côté.



(A) Cache-orifice

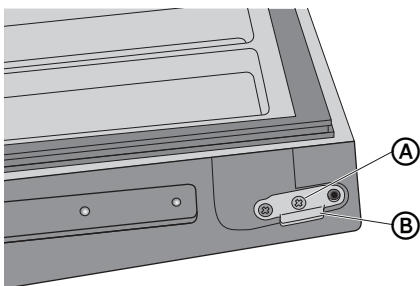
5. À l'aide d'un tournevis Phillips, retirer les deux vis fixant le dispositif de fermeture en plastique de la porte, ainsi que la butée en métal au bas la porte.



(A) Dispositif de fermeture de la porte
(B) Butée de porte

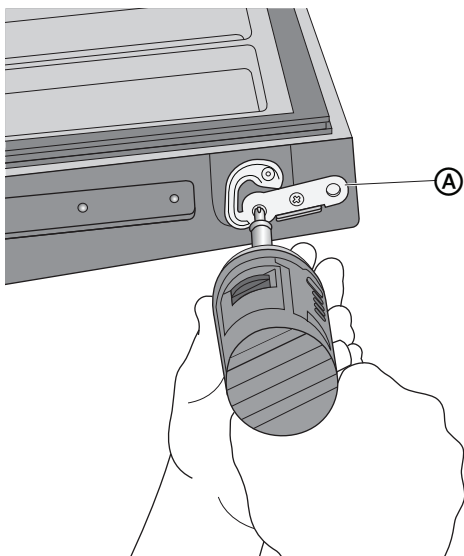
6. Enlever la vis du dispositif de fermeture de la porte, puis la réinstaller dans le trou duquel elle a été retirée.

7. Déplacer la butée de porte de l'autre côté. Insérer la vis dans le trou central, puis serrer.



(A) Vis
(B) Butée de porte

8. Déplacer le dispositif de fermeture de la porte de l'autre côté. Retourner le dispositif de fermeture de la porte de sorte que le côté incurvé de la fermeture soit orienté vers le centre de la porte.
9. Retirer la vis située le plus à l'intérieur. Placer le dispositif de fermeture par-dessus la vis de la butée de porte, puis serrer avec la vis située le plus à l'intérieur.



(A) Dispositif de fermeture de la porte

⚠ AVERTISSEMENT

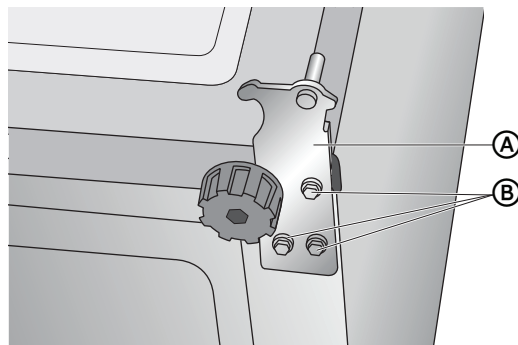
Risque du poids excessif

Utiliser deux ou plus de personnes pour déplacer et installer le réfrigérateur.

Le non-respect de cette instruction peut causer une blessure au dos ou d'autres blessures.

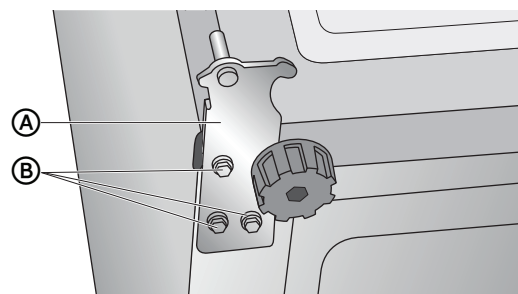
10. À deux personnes ou plus, coucher le réfrigérateur sur le sol.

11. Retirer les trois vis fixant la charnière inférieure à la caisse. Retirer la charnière inférieure, puis la mettre de côté pour une éventuelle utilisation ultérieure.



(A) Charnière inférieure
(B) Vis

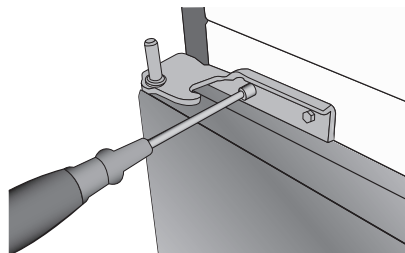
12. Sortir la nouvelle charnière inférieure du sachet d'accessoires. Au moyen des trois vis retirées précédemment, serrer la charnière inférieure sur le côté opposé de la caisse.



(A) Charnière inférieure
(B) Vis

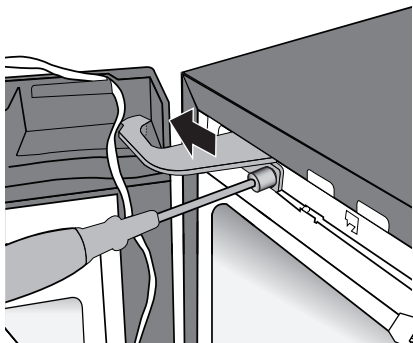
RÉINSTALLATION DES PORTES

- Aligner le trou situé au bas de la porte du compartiment de congélation avec l'axe de la charnière, puis faire descendre délicatement la porte sur la charnière inférieure.
- Aligner le bord de la porte du congélateur avec le côté de la caisse avant d'installer la charnière centrale.
- Sortir la nouvelle charnière centrale du sachet d'accessoires, insérer l'axe de charnière dans la partie supérieure de la porte du congélateur, puis fixer la charnière en serrant sur la partie inférieure de l'ouverture du compartiment de réfrigération.

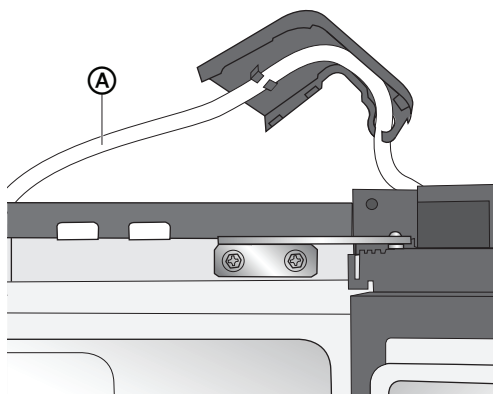


- Sortir la nouvelle charnière supérieure du sachet d'accessoires. Insérer l'axe de la charnière dans l'orifice à charnière situé sur la partie supérieure de la porte du réfrigérateur, puis faire descendre délicatement la porte sur la charnière centrale.
- Aligner le bord de la porte du réfrigérateur avec le côté de la caisse avant de fixer la charnière supérieure en serrant.

6. À l'aide des vis de la charnière supérieure retirées précédemment, fixer la charnière supérieure en serrant sur la caisse du réfrigérateur.

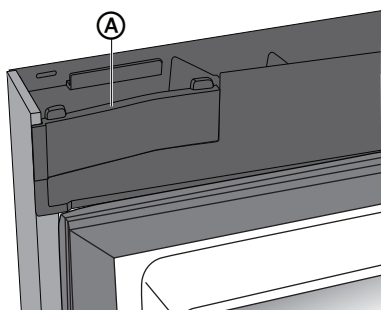


7. Sortir le nouveau couvre-charnière du sachet d'accessoires. Faire passer le fil de câblage dans les attaches situées sur la partie inférieure du couvercle du logement des câbles électriques, puis fixer le couvercle par-dessus la charnière.



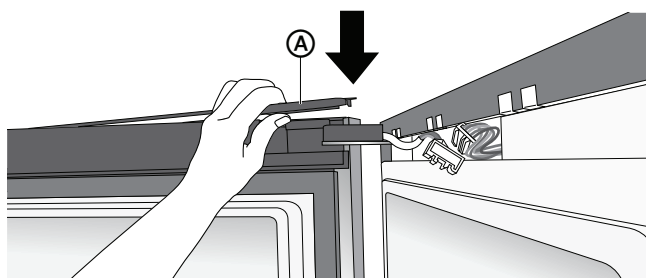
(A) Fil de câblage

8. Retourner le cache des vis de charnière, puis l'insérer dans le bord intérieur de la porte.



(A) Cache des vis de charnière

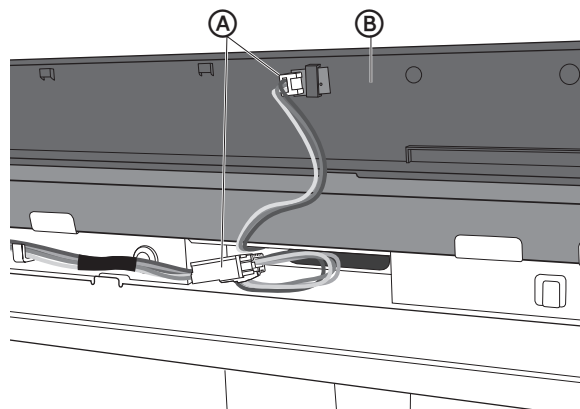
9. Réinstaller la plaque supérieure de la porte.



(A) Plaque supérieure

10. Raccorder les extrémités des deux faisceaux de câbles.

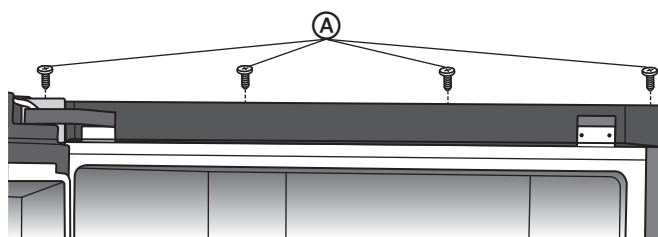
REMARQUE : S'assurer que les câbles sont bien enfoncés dans les attaches, puis fixer la longueur de câble excédentaire dans l'ouverture de la caisse.



(A) Faisceaux de câbles électriques

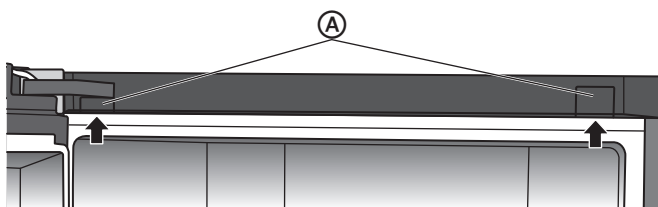
(B) Couvercle du logement des câbles électriques

11. Remettre en place le couvercle du logement des câbles électriques au sommet de la caisse du réfrigérateur, puis serrer avec les quatre vis.



(A) Vis

12. Insérer les caches des vis de charnière dans le couvercle du logement des câbles électriques, au sommet de la caisse.



(A) Caches des vis de charnière

ÉTAPE 3 - ACHEVER L'INSTALLATION

⚠ AVERTISSEMENT



Risque de choc électrique

Brancher sur une prise à 3 alvéoles reliée à la terre.

Ne pas enlever la broche de liaison à la terre du cordon d'alimentation.

Ne pas utiliser un adaptateur.

Ne pas utiliser un câble de rallonge.

Le non-respect de cette instruction pourrait causer un décès, un incendie ou un choc électrique.

1. Brancher sur une prise de courant à 3 alvéoles, reliée à la terre.
2. Réinstaller l'ensemble des pièces de porte amovibles sur la porte et remettre les aliments dans le réfrigérateur.

REMARQUE : Ce réfrigérateur se met en marche dès qu'il est branché à la source d'alimentation.

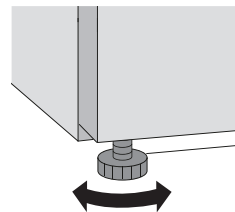
ÉTAPE 4 - NIVELLEMENT ET AJUSTEMENT DES PORTES (SI NÉCESSAIRE)

Le réfrigérateur doit être d'aplomb pour une performance et un aspect optimaux.

NIVELLEMENT

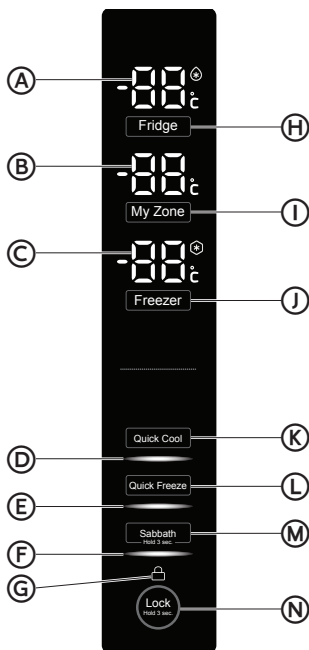
1. Déplacer le réfrigérateur jusqu'à son emplacement définitif.
2. Tourner les pieds situés en bas et à l'avant de la caisse pour élever ou abaisser le réfrigérateur, jusqu'à ce que le réfrigérateur soit d'aplomb dans le sens transversal.
3. Tourner les deux pieds avant d'une manière identique pour élever légèrement l'avant du réfrigérateur. Cela permettra de fermer plus facilement les portes.

REMARQUE : Le fait d'exercer une pression contre le dessus du réfrigérateur permet d'alléger le poids appliqué aux vis de nivellement. Ceci facilite le réglage des vis.



UTILISATION DU RÉFRIGÉRATEUR

UTILISATION DES COMMANDES



- (A) Voyant de température du réfrigérateur
- (B) Voyant de température du compartiment My Zone
- (C) Voyant de température du congélateur
- (D) Voyant Quick Cool (refroidissement rapide)
- (E) Voyant Quick Freeze (congélation rapide)
- (F) Voyant du mode Sabbath (Sabbat)
- (G) Voyant de verrouillage
- (H) Commande de la température du réfrigérateur
- (I) Commande de la température du compartiment My Zone
- (J) Commande de la température du congélateur
- (K) Commande de la fonction Quick Cool (refroidissement rapide)
- (L) Commande de la fonction Quick Freeze (congélation rapide)
- (M) Commande du mode Sabbath
- (N) Verrouillage des commandes

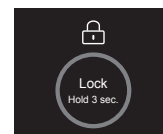
TOUCHES À EFFLEUREMENT

Les commandes sont activées par des touches actionnées par un léger effleurement du doigt.

VERROUILLAGE DU TABLEAU DE COMMANDE

Le tableau de commande se verrouille automatiquement après 30 secondes de non utilisation. Celui-ci doit être déverrouillé pour modifier tout réglage.

Pour verrouiller le tableau de commande :



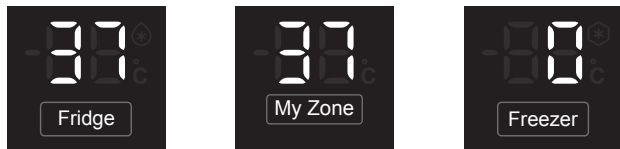
1. Appuyer sans relâcher sur la touche LOCK (verrouillage) pendant 3 secondes. Le voyant "Lock" (verrouillage) s'éteint.



Pour déverrouiller le tableau de commande :

1. Appuyer sans relâcher sur la touche LOCK (verrouillage) pendant 3 secondes. Le voyant "Lock" (verrouillage) s'allume.

AFFICHAGE DE LA TEMPÉRATURE



Lorsqu'aucun bouton ou porte n'est actionné(e) pendant 30 secondes, toutes les DEL de l'affichage du tableau de commande s'éteignent.

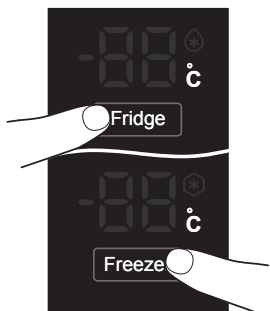
Lorsqu'un bouton est actionné ou qu'une porte est ouverte, toutes les DEL de l'affichage du tableau de commande s'illuminent.

FONCTION UNITS SELECT (SÉLECTION DE L'UNITÉ)

La fonction Units Select (sélection de l'unité) permet de choisir d'afficher la température réglée en degrés Fahrenheit (°F) ou en degrés Celsius (°C).

L'unité de température par défaut est en degrés Fahrenheit.

1. Si le tableau de commande est verrouillé, le déverrouiller en appuyant sans relâcher sur LOCK (verrouillage) pendant 3 secondes.
2. Appuyer simultanément et sans relâcher sur FRIDGE (réfrigérateur) et FREEZER (congélateur) pendant 3 secondes. "°C" apparaît à côté de la température pour indiquer que l'unité a été changée en degrés Celsius.
3. Pour revenir à l'affichage en degrés Fahrenheit de la température réglée, appuyer simultanément et sans relâcher sur les boutons FRIDGE (réfrigérateur) et FREEZER (congélateur) pendant 3 secondes. Le symbole "°C" disparaît de l'affichage de la température.



COMMANDES DE TEMPÉRATURE

La température du compartiment de réfrigération se situe entre 34 °F et 42 °F (entre 1 °C et 6 °C). La température du compartiment de congélation se situe entre -6 °F et 4 °F (entre -21 °C et -16 °C). La fourchette de température du compartiment My Zone se situe entre 27°F et 41°F (entre -3°C et 5°C).

Les compartiments de réfrigération et My Zone sont pré-réglés à la température recommandée de 37 °F (3°C) et le compartiment de congélation est pré-réglé à la température recommandée de 0 °F (-18 °C). Lorsque le réfrigérateur est branché pour la première fois, l'affichage indique les réglages de température recommandés.

IMPORTANT :

- Le réglage recommandé doit être correct pour une utilisation domestique normale du réfrigérateur.

- Lorsque le réfrigérateur est branché pour la première fois, une période de 12 heures maximum est nécessaire pour atteindre la température recommandée. Attendre 24 heures pour que le réfrigérateur refroidisse complètement avant d'y placer des aliments. Si on ajoute des aliments avant que le réfrigérateur ne soit complètement refroidi, les aliments risquent de s'abîmer.
- Si la température est trop tiède ou trop froide dans le réfrigérateur ou le congélateur, vérifier d'abord les événements pour s'assurer qu'ils ne sont pas bloqués, avant de régler les commandes.

Réglage des commandes

Ne pas ajuster les commandes de plus d'un cran à la fois, sauf lors de la mise en marche du réfrigérateur. Attendre 24 heures entre chaque réglage pour que la température puisse se stabiliser.

REMARQUE : La température ne peut pas être réglée si une autre fonction de commande est activée, comme Quick Freeze (congélation rapide), Quick Cool (refroidissement rapide) ou le mode Sabbath ou si le tableau de commande est verrouillé. Le voyant correspondant s'illumine et un signal sonore retentit.

Réglage de la température du réfrigérateur :

1. Si le tableau de commande est verrouillé, le déverrouiller en appuyant sans relâcher sur LOCK (verrouillage) pendant 3 secondes.
2. Appuyer sur Fridge (réfrigérateur) pour modifier la température.

REMARQUE : La température augmente d'un degré à la fois et un signal sonore retentit à chaque pression.

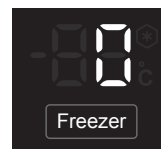


Après 5 secondes d'inutilisation d'un bouton, le réglage de la température est alors automatiquement validé.

Réglage de la température du congélateur :

1. Si le tableau de commande est verrouillé, le déverrouiller en appuyant sans relâcher sur LOCK (verrouillage) pendant 3 secondes.
2. Appuyer sur le bouton Freezer (congélateur) pour régler la température.

REMARQUE : La température diminue d'un degré à la fois et un signal sonore retentit à chaque pression.



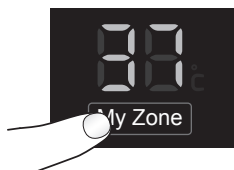
Après 5 secondes d'inutilisation d'un bouton, le réglage de la température est alors automatiquement validé.

Réglage de la température du compartiment My Zone :

1. Si le tableau de commande est verrouillé, le déverrouiller en appuyant sans relâcher sur LOCK (verrouillage) pendant 3 secondes.
2. Appuyer sur MY ZONE pour régler la température.

REMARQUES :

- La température augmente de deux degrés F (un degré C) à la fois et un signal sonore retentit à chaque pression sur le bouton de commande.
- La température du compartiment My Zone ne peut pas être réglée sur un réglage plus froid que celui du compartiment de réfrigération.



- Appuyer sur n'importe quel bouton de commande, sauf celui de My Zone, pour confirmer. Le voyant cesse de clignoter.

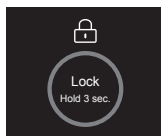
REMARQUE : Après 5 secondes, le réglage de la température est automatiquement validé.

Réglage	Description
35°F - 41°F (2°C - 5°C)	Fruits et légumes Convient à l'entreposage des fruits et légumes
27°F (-3°C)	Décongélation d'aliments surgelés Refroidissement rapide des boissons
29°F - 35°F (-2°C - 2°C)	Viandes Convient pour conserver les produits frais comme le poisson ou la viande, ainsi que les aliments cuits, pendant 1 à 2 jours.

QUICK COOL

La fonction Quick Cool (refroidissement rapide) accélère le refroidissement des aliments frais et maintient les aliments déjà entreposés à l'abri d'un réchauffement indésirable.

- Si le tableau de commande est verrouillé, le déverrouiller en appuyant sans relâcher sur LOCK (verrouillage) pendant 3 secondes.



- Appuyer sur le bouton Quick Cool (refroidissement rapide). Les voyants Quick Cool (refroidissement rapide) s'allument.



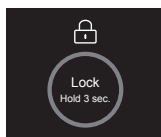
- Répéter les étapes 1 et 2 pour désactiver manuellement la fonction Quick Cool (refroidissement rapide).

REMARQUE : La fonction Quick Cool (refroidissement rapide) s'éteint automatiquement après 3 heures.

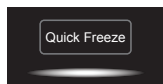
QUICK FREEZE (CONGÉLATION RAPIDE)

La fonction Quick Freeze (congélation rapide) accélère la congélation des aliments frais et maintient les aliments à l'abri d'un réchauffement indésirable. Si une grande quantité d'aliments doit être congelée, il est recommandé de régler la fonction Quick Freeze (congélation rapide) quelques heures à l'avance.

- Si le tableau de commande est verrouillé, le déverrouiller en appuyant sans relâcher sur LOCK (verrouillage) pendant 3 secondes.



- Appuyer sur le bouton Quick Freeze (congélation rapide). Les voyants Quick Freeze (congélation rapide) s'allument.



- Répéter les étapes 1 et 2 pour désactiver manuellement la fonction Quick Freeze (congélation rapide).

REMARQUE : La fonction Quick Freeze (congélation rapide) s'éteint automatiquement après 24 heures.

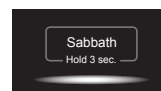
SABBAT

La fonction Sabbath (mode Sabbath) est conçue pour les personnes dont les pratiques religieuses requièrent l'extinction des lumières. Toutes les lumières intérieures et signaux sonores sont désactivés.

- Si le tableau de commande est verrouillé, le déverrouiller en appuyant sans relâcher sur LOCK (verrouillage) pendant 3 secondes.
- Appuyer sans relâcher sur SABBATH (Sabbat) pendant 3 secondes, jusqu'à ce que le voyant correspondant au mode Sabbath s'allume.

REMARQUES :

- Tous les signaux sonores et les lumières sont désactivés.
- Si les fonctions Quick Cool (refroidissement rapide) et/ou Quick Freeze (congélation rapide) sont activées, le mode Sabbath les désactive alors automatiquement.
- En mode Sabbath, le tableau de commande reste déverrouillé.



- Pour désactiver le mode Sabbath, appuyer sans relâcher sur SABBATH (Sabbat) pendant 3 secondes.

CARACTÉRISTIQUES

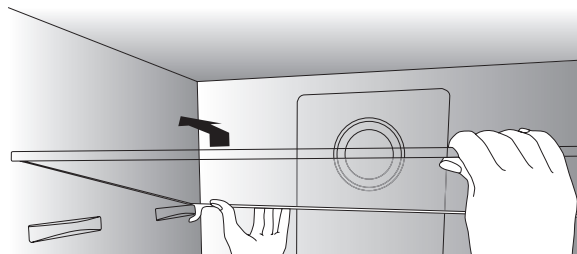
Informations importantes à propos des tablettes et des couvercles en verre :

Ne pas nettoyer les tablettes ou les couvercles de verre avec de l'eau tiède lorsqu'ils sont froids. Les tablettes et couvercles peuvent se briser s'ils sont exposés à des changements de températures ou impacts soudains, tels qu'une chute. Le verre trempé est conçu pour se briser en de multiples petits morceaux de la taille de gravillons. Ceci est normal. Les tablettes en verre et les couvercles sont lourds. Les retirer à deux mains pour éviter de les faire tomber.

TABLETTES RÉGLABLES

La hauteur des tablettes peut être réglée pour convenir à vos besoins d'entreposage.

- Pour retirer une tablette, soulever les coins avant et arrière pour dégager les crochets de la tablette des supports de tablette situés sur la paroi du réfrigérateur, et tirer vers l'extérieur.



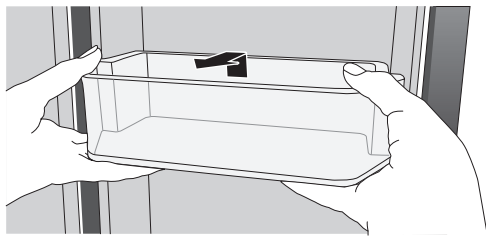
- Pour réinstaller une tablette, faire reposer la tablette sur les supports avant et arrière. Pousser la tablette vers l'arrière du réfrigérateur jusqu'à ce que l'arrière de la tablette s'accroche aux supports arrière de la tablette.

BALCONNETS AMOVIBLES

Retrait et réinstallation d'un balconnet :

- Placer les mains de chaque côté du balconnet, soulever vers le haut, puis tirer pour le sortir.

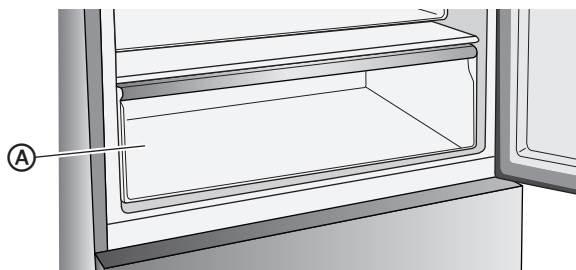
2. Réinstaller le balconnet en l'insérant par le dessus du support et en appuyant dessus pour qu'il s'emboîte.



TIROIR MY ZONE

Le compartiment My Zone vous permet d'entreposer des aliments thermosensibles à la bonne température, afin d'assurer d'en conserver toutes leurs qualités nutritionnelles.

REMARQUE : L'utilisation du compartiment My Zone n'est pas recommandée pour y conserver le fromage ou les fruits et les légumes sensibles au froid, comme les avocats, les bananes, les pommes de terre, les concombres et les tomates.



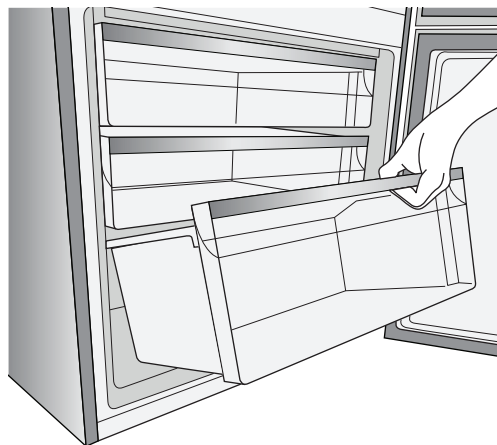
Ⓐ Tiroir MY Zone

TIROIRS DE RANGEMENT AMOVIBLE DU CONGÉLATEUR

IMPORTANT : Ne pas surcharger les tiroirs.

Retrait et réinstallation d'un tiroir de congélation :

1. Retirer le tiroir du congélateur en le dépliant entièrement, puis en soulevant le tiroir et en le dégageant.



2. Réinstaller le tiroir en inclinant l'arrière du tiroir vers le bas sur le support, puis en le faisant glisser.

ENTRETIEN DU RÉFRIGÉRATEUR

NETTOYAGE

Les sections de réfrigération et de congélation se dégivrent automatiquement. Toutefois, nettoyer les deux compartiments environ une fois par mois afin d'éviter une accumulation d'odeurs. Essuyer les renversements immédiatement.

Comme l'air circule entre les deux sections, toutes les odeurs formées dans une section seront transférées à l'autre. Les deux sections doivent être nettoyées avec soin pour éliminer les odeurs. Pour éviter le transfert d'odeurs et l'assèchement des aliments, envelopper ou recouvrir hermétiquement les aliments.

⚠ AVERTISSEMENT



Risque d'explosion

Utiliser un produit de nettoyage ininflammable.

Le non-respect de cette instruction peut causer un décès, une explosion ou un incendie.

IMPORTANT:

- Ne pas utiliser de produits chimiques corrosifs, d'ammoniaque, d'agent de blanchiment, de détergents concentrés, de solvant ou de tampons à récurer métalliques ou abrasifs pour nettoyer l'intérieur ou l'extérieur du réfrigérateur. Ceux-ci peuvent endommager et/ou décolorer le fini du réfrigérateur.

- Ne pas nettoyer les tablettes de verre à l'eau chaude lorsque celles-ci sont encore froides. Le verre peut se briser lorsqu'il est exposé à un impact ou à un changement brusque de température.

⚠ AVERTISSEMENT



Risque de choc électrique

Débrancher votre appareil ou déconnecter la source de courant électrique avant de le nettoyer.

Le non-respect de cette instruction peut causer un décès, un choc électrique ou blessures.

1. Débrancher le réfrigérateur ou déconnecter la source de courant électrique.
2. Nettoyer l'intérieur. Laver à la main, rincer et sécher les pièces amovibles et les surfaces internes soigneusement. Utiliser une éponge propre ou un linge doux et un détergent doux dans de l'eau tiède.
3. Nettoyer les surfaces extérieures.

Métal peint : Laver les parties métalliques extérieures à l'aide d'un chiffon ou d'une éponge doux/douce et propre et d'un détergent doux dans de l'eau tiède. Rincer les surfaces avec une eau propre et tiède et sécher immédiatement afin d'éviter d'éventuelles taches laissées par l'eau.

Acier inoxydable : L'acier inoxydable est résistant à la corrosion et non anticorrosion. Pour éviter la corrosion sur l'acier inoxydable, laver les surfaces en acier inoxydable à l'aide d'un chiffon ou d'une éponge doux/douce et propre et d'un détergent doux dans de l'eau tiède. Rincer les surfaces avec une eau propre et tiède et sécher immédiatement afin d'éviter d'éventuelles taches laissées par l'eau.

REMARQUE : Lors du nettoyage de l'acier inoxydable, toujours frotter dans le sens du grain afin d'éviter d'érafler la surface.

4. Brancher le réfrigérateur ou reconnecter la source de courant électrique.

ÉCLAIRAGE

Les lampes intérieures du réfrigérateur s'éteignent si les portes sont ouvertes pendant plus de 7 minutes.

IMPORTANT : Le réfrigérateur est équipé d'un éclairage à DEL. Cet éclairage est conçu pour durer pendant toute la durée de vie utile du réfrigérateur. Toutefois, si l'éclairage s'arrête de fonctionner, contacter un technicien qualifié pour effectuer le remplacement.

PRÉCAUTIONS À PRENDRE POUR LES VACANCES OU LE DÉMÉNAGEMENT

⚠ AVERTISSEMENT



Incendie ou Risque d'explosion

Ne pas perforer le circuit frigorigène.

Suivre attentivement les instructions de manipulation.

Utilisation d'un liquide frigorigène inflammable.

Le non-respect de cette instruction peut causer un décès, une explosion ou un incendie.

VACANCES

Si vous choisissez de laisser le réfrigérateur en marche pendant votre absence :

1. Consommer toutes les denrées périssables et congeler les autres articles.

Si vous choisissez d'éteindre le réfrigérateur avant votre absence :

1. Enlever tous les aliments du réfrigérateur et du congélateur.
2. Débrancher le réfrigérateur ou déconnecter la source de courant électrique.
3. Nettoyer le réfrigérateur, l'essuyer et bien le sécher.
4. À l'aide d'un ruban adhésif, placer des blocs de caoutchouc ou de bois dans la partie supérieure de chaque porte de façon à ce qu'elles soient suffisamment ouvertes pour permettre l'entrée de l'air à l'intérieur, afin d'éviter l'accumulation d'odeurs ou de moisissure.

DÉMÉNAGEMENT

⚠ AVERTISSEMENT

Risque du poids excessif

Utiliser deux ou plus de personnes pour déplacer et installer le réfrigérateur.

Le non-respect de cette instruction peut causer une blessure au dos ou d'autres blessures.

En cas de déménagement et de déplacement du réfrigérateur dans une nouvelle habitation, suivre ces étapes pour préparer le déménagement.

1. Retirer tous les aliments du réfrigérateur et placer tous les aliments congelés dans de la neige carbonique.
2. Débrancher le réfrigérateur.
3. Bien nettoyer, essuyer et sécher.
4. Retirer toutes les pièces amovibles, bien les envelopper et les attacher ensemble avec du ruban adhésif pour qu'elles ne bougent ou ne s'entrechoquent pas durant le déménagement.
5. Soulever les pieds de nivellement pour qu'ils n'éraflent pas le sol. Voir "Nivellement".
6. Utiliser du ruban adhésif pour maintenir les portes fermées et fixer le cordon d'alimentation à l'arrière du réfrigérateur.
7. Lorsque vous arriverez à votre nouveau domicile, remettez tout en place et consultez la section "Instructions d'installation" pour les instructions de préparation.

RÉINSTALLATION/RÉUTILISATION DU RÉFRIGÉRATEUR

Si le réfrigérateur a été placé en position horizontale ou incliné pendant un moment, attendre 24 heures avant de le brancher pour que le réfrigérant se remette en place.

1. Nettoyer le réfrigérateur. Voir "Nettoyage".
2. Placer le réfrigérateur à l'emplacement souhaité et régler son aplomb. Voir "Instructions d'installation".

DÉPANNAGE

Veillez essayer les solutions suggérées ci-dessous afin d'éviter le coût d'un appel de service inutile.

LE RÉFRIGÉRATEUR NE FONCTIONNE PAS

PROBLÈME	CAUSE(S) POSSIBLE(S)	SOLUTION
Le réfrigérateur ne fonctionne pas.	Le réfrigérateur est débranché.	Brancher le cordon d'alimentation électrique dans la prise de courant.
	Le disjoncteur est ouvert ou déclenché/ un fusible est grillé.	Réenclencher le disjoncteur ou remplacer le fusible.
	Le réfrigérateur est en mode de dégivrage.	Attendre environ 40 minutes que le programme de dégivrage se termine et que le système de refroidissement redémarre.
Le compresseur du réfrigérateur se met en route souvent ou pendant des périodes prolongées. REMARQUE : Ce réfrigérateur a été conçu pour fonctionner pendant des périodes prolongées avec une consommation d'énergie inférieure.	Ceci est normal lorsque le réfrigérateur est branché pour la première fois.	Accorder 24 heures pour que le réfrigérateur refroidisse.
	Des aliments chauds ou de grosses quantités d'aliments ont été ajoutés.	Ceci est normal.
	La porte a été laissée ouverte.	S'assurer qu'un article ne bloque pas la fermeture de la porte.
	Temps chaud ou ouvertures fréquentes.	Ceci est normal.
	Commande de la température au réglage le plus froid.	Ajuster la température à un réglage plus chaud.
Le réfrigérateur a une odeur	Les emballages alimentaires ne sont pas étanches ou les aliments ne sont pas emballés correctement.	Refermer hermétiquement les emballages. Placer une boîte ouverte de bicarbonate de soude dans le réfrigérateur, remplacer tous les 3 mois.
	L'intérieur a besoin d'être nettoyé.	Nettoyer l'intérieur. Voir "Nettoyage".
	Les aliments ont été conservés trop longtemps.	Jeter les aliments abîmés.
La lumière ne s'allume pas	Le réfrigérateur est débranché.	Brancher le réfrigérateur à la source de courant électrique.
	L'ampoule DEL est grillée.	Contacteur un technicien qualifié pour remplacer la DEL grillée.
	Le mode Sabbath est activé.	En mode Sabbath, les lumières sont désactivées. Pour activer les lumières, le mode Sabbath doit être désactivé. Voir la section "Mode Sabbath" pour des directives.
Les portes ne ferment pas correctement	Le réfrigérateur n'est pas de niveau.	Voir "Nivellement".
	Quelque chose bloque la fermeture de la porte.	Vérifier et retirer tout obstacle.
Vibration ou cliquetis	Le réfrigérateur n'est pas en contact ferme avec le plancher.	Voir "Réglage de l'aplomb".
Sons normaux	Son donnant l'impression que de l'eau s'écoule du réfrigérateur.	Ce son est émis par le réfrigérant qui s'écoule dans les canalisations lorsque le compresseur se met en marche et s'arrête.
		Le réfrigérateur est équipé d'un système de dégivrage automatique. Ce son est émis par l'eau dégivrée.
	Ronflement ou bourdonnement.	Ce son peut être émis par le compresseur et les ventilateurs servant à la circulation de l'air froid. Si le réfrigérateur n'est pas d'aplomb, le son sera plus fort.
	Craquements ou cliquetis.	Ce son est émis par les parties intérieures lorsqu'elles se contractent ou se dilatent en réponse à des changements de température.

TEMPÉRATURE ET HUMIDITÉ

PROBLÈME	CAUSE(S) POSSIBLE(S)	SOLUTION
Le réfrigérateur ou le congélateur est trop chaud	La commande de la température n'est pas placée à un réglage suffisamment bas.	Régler la température du compartiment à un réglable plus froid; attendre 24 heures que la température s'ajuste.
	Porte ouverte souvent ou laissée ouverte.	Maintenir la porte fermée / vérifier qu'un emballage ne bloque pas la fermeture de la porte.
	Des aliments tièdes ont été ajoutés récemment.	Attendre que les aliments et le réfrigérateur aient refroidi.
	Il n'y a pas assez d'espace entre l'arrière du réfrigérateur et le mur.	Laisser un espace libre d'au moins 2" (5 cm) entre l'arrière du réfrigérateur et le mur.
	Les articles dans le fond des compartiments empêchent l'air de circuler correctement.	Ranger les articles à l'intérieur des bordures des tablettes de verre; ne pas placer d'articles contre les parois des compartiments ou directement devant les ouvertures d'aération.
Le réfrigérateur ou le congélateur est trop froid	La commande de la température est placée à un réglage trop bas.	Augmenter la température du compartiment au réglage inférieur (plus chaud) suivant; attendre 24 heures que la température s'ajuste.
Humidité sur l'extérieur/ l'intérieur du réfrigérateur	Forte présence d'humidité.	Ceci est normal. Sécher la surface et placer la commande de la température à un réglage légèrement plus froid.
	Porte ouverte souvent ou laissée ouverte.	Garder la porte fermée. Vérifier qu'un emballage ne bloque pas la fermeture de la porte.
	Récipient d'eau ouvert dans le réfrigérateur.	Couvrir ou fermer le récipient hermétiquement.
Givre ou cristaux de glace sur les aliments surgelés	La porte du congélateur est restée ouverte ou est ouverte trop fréquemment.	Placer la commande de la température à un réglage plus chaud; attendre 24 heures que la température s'ajuste.
	Des articles bloquent les ouvertures d'aération du congélateur et empêchent l'air de circuler librement.	Éloigner les articles de la paroi arrière.
Les aliments gèlent dans le réfrigérateur	Aliments placés trop près de l'ouverture d'aération.	Retirer les articles de l'arrière et du sommet du réfrigérateur.
	La commande de la température est placée à un réglage trop froid.	Ajuster la température du congélateur à un réglage moins froid.

POUR OBTENIR DE L'AIDE SUPPLÉMENTAIRE, VISITER HAIERAMERICA.COM OU CONTACTER LA LIGNE D'ASSISTANCE À LA CLIENTÈLE AU 1-877-337-3639.

GARANTIE LIMITÉE

SERVICE À DOMICILE

GARANTIE COMPLÈTE D'UN AN

Pendant 12 mois à compter de la date d'achat d'origine, Haier réparera ou remplacera gratuitement n'importe quelle pièce (main-d'œuvre comprise) comportant un défaut de matériau ou de fabrication.

Haier peut choisir à sa seule discrétion de remplacer ou réparer des pièces, des sous-systèmes ou le produit tout entier.

Le produit doit être accessible, dégagé et installé correctement pour bénéficier du service de réparation sous garantie.

GARANTIE LIMITÉE

Après un an à compter de la date d'achat d'origine en magasin, Haier fournira à ses frais, tel que stipulé ci-dessous, une pièce pour remplacer la pièce défectueuse résultant d'un vice de matière ou de fabrication. Haier ne prend en charge que le coût de la pièce. Tous les autres coûts tels que main-d'œuvre, déplacement, etc. sont à la charge du propriétaire.

De la deuxième à la cinquième année

Pendant 60 mois à compter de la date d'achat d'origine en magasin. Composants du circuit étanche (p. ex. compresseur hermétique, condenseur et évaporateur) contre tout vice de fabrication. Les éventuels dégâts à ces composants provoqués par des contraintes mécaniques abusives ou des méthodes de transport et de manipulation incorrectes ne seront pas pris en charge.

REMARQUE : Cette garantie entre en vigueur à la date d'achat de l'article et le bon d'achat d'origine doit être présenté à l'agent de service agréé préalablement à une quelconque réparation sous garantie.

Exceptions : Garantie à usage commercial

90 jours sur la main-d'œuvre à compter de la date d'achat d'origine

90 jours sur les pièces à compter de la date d'achat d'origine

Aucune autre garantie ne s'applique.

SERVICE AU TITRE DE LA GARANTIE

Contactez le centre de dépannage autorisé le plus proche. Tout dépannage doit être effectué par un centre de dépannage autorisé Haier. Pour le nom et le numéro de téléphone du centre de dépannage autorisé le plus proche de votre domicile, composez le 1-877-337-3639.

Avant d'appeler le centre, veuillez garder à disposition les renseignements suivants :

Numéros de plaque signalétique de l'appareil. Le nom et l'adresse du revendeur auprès duquel vous avez acheté l'appareil, ainsi que la date d'achat.

Une description claire du problème rencontré.

Une preuve d'achat (reçu de vente).

Cette garantie est valable pour le service des appareils domestiques aux États-Unis contigus et au Canada et lorsque le service est disponible, en Alaska, à Hawaï et Porto Rico.

Cette garantie ne couvre pas :

Le remplacement ou la réparation des fusibles, disjoncteurs, du câblage ou du circuit de plomberie du domicile.

Un produit dont le numéro de série d'origine a été enlevé ou modifié.

Tous frais de dépannage non identifiés comme étant normaux tel un dépannage dans une zone ou une tranche horaire normale.

Remplacement de la lumière bubls

Les dommages liés à l'expédition.

Les dommages liés à une installation ou un entretien inadapté.

Les dommages causés par l'un des éléments suivants : Mauvaise utilisation, utilisation abusive, accident, incendie ou catastrophe naturelle.

Les dommages résultant d'un dépannage fourni par une entité autre qu'un revendeur ou centre de dépannage autorisé Haier.

Les dommages causés par un courant, une tension ou une alimentation électrique incorrects.

Les dommages résultant d'une quelconque modification ou altération du produit ou d'un ajustement non autorisé par Haier.

Un ajustement des commandes utilisées par le consommateur tel qu'identifié dans le manuel de l'utilisateur.

Les tuyaux, boutons, plateaux à charpie et tout accessoire ou pièce jetable.

Les frais de main-d'œuvre, transport pour dépannage et d'expédition pour le retrait et le remplacement de pièces défectueuses au-delà de la période de 12 mois.

Les dommages liés à une utilisation autre qu'une utilisation domestique normale.

Tout frais de transport et d'expédition.

CETTE GARANTIE LIMITÉE REMPLACE TOUTE AUTRE GARANTIE EXPRESSE OU IMPLICITE, Y COMPRIS, MAIS PAS SEULEMENT, LES GARANTIES IMPLICITES, Y COMPRIS LES GARANTIES DE QUALITÉ MARCHANDE OU D'APTITUDE À UN USAGE PARTICULIER

Le recours offert dans cette garantie est exclusif et se substitue à toute autre garantie.

Cette garantie ne couvre pas les dommages fortuits ou indirects; aussi les limitations décrites ci-dessus peuvent ne pas s'appliquer à votre cas. Certains États ne permettent pas de limitation sur la durée d'une garantie implicite, aussi les limitations décrites ci-dessus peuvent ne pas s'appliquer à votre cas.

Cette garantie vous confère des droits juridiques spécifiques. Vous pouvez également jouir d'autres droits qui peuvent varier d'un État à l'autre.

Haier America
Wayne, NJ 07470

ÍNDICE

SEGURIDAD DEL REFRIGERADOR	35
PIEZAS Y CARACTERÍSTICAS	36
REQUISITOS DE INSTALACIÓN	37
Requisitos de ubicación.....	37
Requisitos eléctricos	37
INSTRUCCIONES DE INSTALACIÓN	38
Paso 1 - Desempaque el refrigerador.....	38
Paso 2 - Cambio del sentido de apertura de las puertas	38
Paso 3 - Finalización de la instalación	42
Paso 4 - Nivelación y ajuste de la puerta	43
USO DE SU REFRIGERADOR	43
Uso de los controles	43
Características.....	45
CUIDADO DEL REFRIGERADOR	46
Limpieza	46
Luces	47
Cuidado durante las vacaciones y mudanzas.....	47
Cómo volver a instalar o usar el refrigerador nuevamente	47
SOLUCIÓN DE PROBLEMAS	48
GARANTÍA LIMITADA	50

INFORMACIÓN A TENER EN CUENTA

Le agradecemos la compra de este producto de marca Haier. Este manual para el usuario le ayudará a obtener el mejor funcionamiento de su nuevo refrigerador.

Para referencia futura, anote el modelo y número de serie ubicados en la pared interior del compartimiento del refrigerador, y la fecha de compra.

Engrape la prueba de compra de este manual para asistirle cuando necesite obtener servicio bajo la garantía.

Número de modelo

Número de serie

Fecha de compra

SEGURIDAD DEL REFRIGERADOR

Su seguridad y la seguridad de los demás es muy importante.

Hemos incluido muchos mensajes importantes de seguridad en este manual y en su electrodoméstico. Lea y obedezca siempre todos los mensajes de seguridad.



Este es el símbolo de advertencia de seguridad.

Este símbolo le llama la atención sobre peligros potenciales que pueden ocasionar la muerte o una lesión a usted y a los demás. Todos los mensajes de seguridad irán a continuación del símbolo de advertencia de seguridad y de la palabra "PELIGRO", "ADVERTENCIA" o "PRECAUCIÓN".

Estas palabras significan:

▲ PELIGRO

Se trata de una situación de peligro inminente. Si no sigue las instrucciones de inmediato, usted puede morir o sufrir una lesión grave.

▲ ADVERTENCIA

Se trata de una situación posiblemente peligrosa que, de no evitarse, podría causar la muerte o una lesión grave.

▲ PRECAUCIÓN

Se trata de una situación posiblemente peligrosa que, de no evitarse, podría causar lesiones moderadas o leves.

Todos los mensajes de seguridad le dirán el peligro potencial, le dirán cómo reducir las posibilidades de sufrir una lesión y lo que puede suceder si no se siguen las instrucciones.

INSTRUCCIONES IMPORTANTES DE SEGURIDAD

ADVERTENCIA: Para reducir el riesgo de incendio, choque eléctrico, lesiones a personas o daños al utilizar el refrigerador, siga precauciones básicas, incluyendo las siguientes:

- Use este aparato solamente para el propósito que fue diseñado, como se describe en este manual para el usuario.
- Antes de usar este refrigerador, deberá ser debidamente instalado de acuerdo con las instrucciones de instalación. Consulte las instrucciones de puesta a tierra en la sección de instalación.
- El refrigerante usado es inflamable. No use dispositivos mecánicos para descongelar el refrigerador. No perforo el tubo refrigerante.
- El refrigerante usado es inflamable. Únicamente, personal de servicio capacitado deberá realizar las reparaciones necesarias. No perforo el tubo refrigerante.
- El refrigerante usado es inflamable. Deshágase del aparato de acuerdo con las normativas federales o locales.
- El refrigerante usado es inflamable. Siga con cuidado las instrucciones de manipulación. Existe riesgo de incendio o explosión por una perforación del tubo refrigerante.
- Enchufe en un contacto de conexión a tierra de 3 terminales.
- No quite el terminal de conexión a tierra.
- No utilice un adaptador.
- No utilice un cable eléctrico de extensión.
- No repare ni reemplace ningún componente del aparato a menos que se recomiende específicamente en el manual. Todas las demás tareas de mantenimiento deben ser realizadas por un técnico calificado.
- Desconecte el suministro de energía antes de realizar tareas de mantenimiento.
- Vuelva a colocar todas las piezas y paneles antes de poner en marcha.
- Utilice un limpiador no inflamable.
- Mantenga los materiales y vapores inflamables, tales como gasolina, alejados del refrigerador.
- Los bordes del gabinete a lo largo de las zonas de recorte pueden ser filosos. Evite colocar las manos, dedos u otras extremidades cerca de estas zonas.
- Antes de desechar o dejar de utilizar el aparato, quítele las puertas. Esto evitará que los niños se lastimen.

LEA Y GUARDE ESTAS INSTRUCCIONES

CÓMO DESHACERSE ADECUADAMENTE DE SU APARATO REFRIGERADOR VIEJO

⚠️ ADVERTENCIA

Peligro de asfixia

Quite las puertas de su aparato refrigerador viejo.

No seguir esta instrucción puede ocasionar la muerte o daño al cerebro.

IMPORTANTE: El atrapamiento y asfixia de niños no es un problema del pasado. Un aparato refrigerador desechado y abandonado es un peligro, aun si va a quedar ahí "por unos pocos días". Si usted está por deshacerse de su aparato refrigerador viejo, siga las instrucciones a continuación para evitar accidentes.

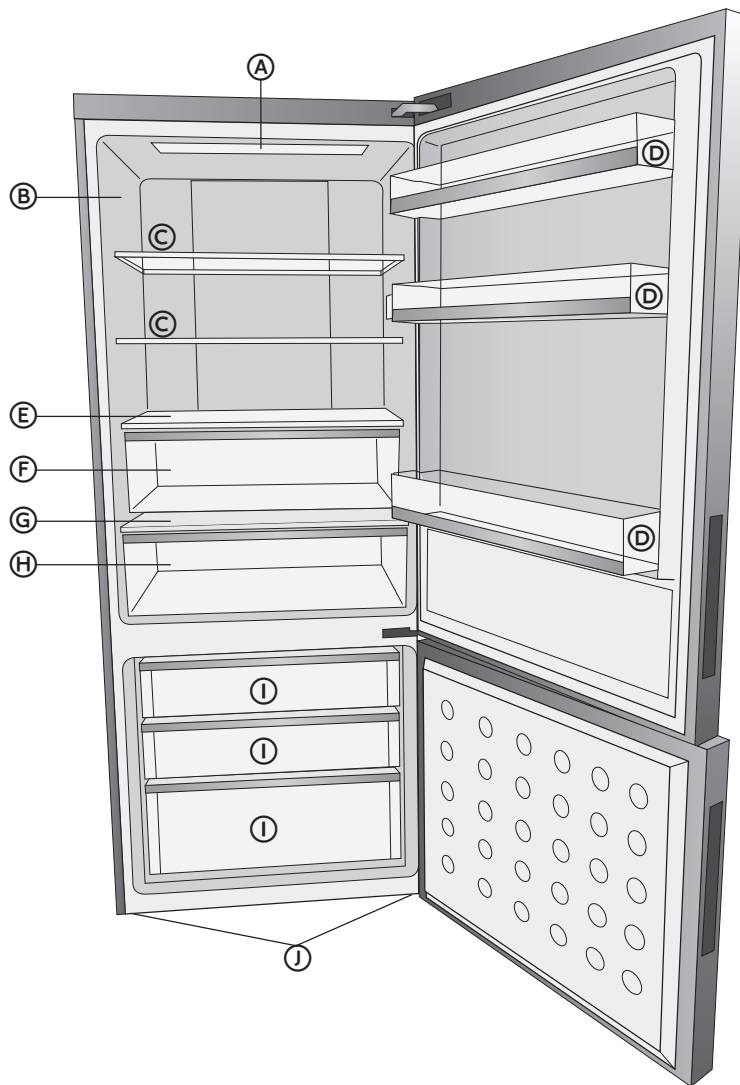
Antes de descartar su aparato refrigerador o congelador viejo:

- Quite las puertas.
- Deje los estantes en su lugar así los niños no pueden meterse adentro con facilidad.

Información importante para saber acerca del desecho de refrigerantes:

Deshágase del refrigerador siguiendo los reglamentos federales y locales. Los refrigerantes deberán ser evacuados por un técnico certificado en refrigeración por EPA (Agencia de protección del medioambiente) según los procedimientos establecidos.

PIEZAS Y CARACTERÍSTICAS



(A) Luz de LED

(B) Placa de información

(C) Estantes de vidrio (2)

(D) Recipientes de la puerta del refrigerador (3)

(E) Cubierta del cajón del refrigerador

(F) Cajón del refrigerador

(G) Cubierta My Zone

(H) Cajón My Zone

(I) Cajones para almacenamiento del congelador (3)

(J) Patas niveladoras regulables (2)

REQUISITOS DE INSTALACIÓN

REQUISITOS DE UBICACIÓN

⚠ ADVERTENCIA



Peligro de Explosión

Mantenga los materiales y vapores inflamables, tales como gasolina, alejados del aparato.

No seguir esta instrucción puede ocasionar la muerte, explosión, o incendio.

IMPORTANTE: Este refrigerador ha sido diseñado únicamente para usarse dentro del hogar.

Para asegurar la adecuada ventilación de su refrigerador, deje un espacio de 1" (2,54 cm) a cada lado y en la parte superior. Deje un espacio de 2" (5,08 cm) detrás del refrigerador. Si instala el refrigerador próximo a una pared fija, deje como mínimo 4" (10 cm) para permitir que la puerta abra bien.

NOTA: Este refrigerador ha sido diseñado para usarse en un lugar en donde los rangos de temperatura varíen entre un mínimo de 55 °F (13 °C) y un máximo de 110 °F (43 °C). Para un óptimo rendimiento, el rango preferido de temperatura ambiente (que reduce el uso de electricidad y provee un enfriamiento superior) es entre 60 °F (15 °C) y 90 °F (32 °C). No se recomienda instalar el refrigerador cerca de una fuente de calor, como puede ser un horno o un radiador.

REQUISITOS ELÉCTRICOS

⚠ ADVERTENCIA



Peligro de Choque Eléctrico

Conecte a un contacto de pared de conexión a tierra de 3 terminales.

No quite el terminal de conexión a tierra del cable de alimentación.

No use un adaptador.

No use un cable eléctrico de extensión.

No seguir estas instrucciones puede ocasionar la muerte, incendio o choque eléctrico.

Antes de mover el refrigerador a su ubicación final, es importante asegurarse de que tiene la conexión eléctrica adecuada.

Método de conexión a tierra recomendado

Se requiere un suministro eléctrico de 115 voltios, 60 hertzios, CA solamente, de 15 o 20 amperios y protegido con fusibles, conectado a tierra. Se recomienda utilizar un circuito separado solo para su refrigerador. Use un tomacorriente que no se pueda apagar con un interruptor. No use un cable eléctrico de extensión.

NOTA: Antes de realizar cualquier tipo de instalación o limpieza, desconecte el refrigerador de la fuente de suministro eléctrico. Cuando haya terminado, vuelva a conectar el refrigerador a la fuente de energía eléctrica y reajuste los controles de temperatura en la posición deseada.

INSTRUCCIONES DE INSTALACIÓN

PASO 1 - DESEMPAQUE EL REFRIGERADOR

⚠️ ADVERTENCIA

Peligro de Peso Excesivo

Use dos o más personas para mover e instalar el refrigerador.

No seguir esta instrucción puede ocasionar una lesión en la espalda u otro tipo de lesiones.

⚠️ ADVERTENCIA



Peligro de Explosión o Incendio

No perforo el tubo refrigerante.

Siga con cuidado las instrucciones de manipulación.

El refrigerante usado es inflamable.

No seguir esta instrucción puede ocasionar la muerte, explosión, o incendio.

IMPORTANTE: Tenga cuidado al mover el refrigerador para evitar dañar el tubo refrigerante o aumentar el riesgo de fuga.

CÓMO QUITAR EL EMPAQUE

- Quite los restos de cinta y goma de las superficies de su refrigerador antes de encenderlo. Frote un poco de detergente líquido para vajilla sobre el adhesivo con los dedos. Limpie con agua tibia y seque.
- No use instrumentos filosos, alcohol isopropílico, líquidos inflamables o productos de limpieza abrasivos para eliminar los restos de cinta o goma. Estos productos pueden dañar la superficie de su refrigerador. Para obtener más información, vea "Seguridad del refrigerador".
- Deshágase de todos los materiales de empaque o recíclelos.

Cuando mueva su refrigerador:

Su refrigerador es pesado. Cuando mueva el refrigerador para la limpieza o para darle servicio, cerciórese de cubrir el piso con cartón o madera para evitar daños en este. Al mover el refrigerador, siempre tire directamente hacia afuera. No menee el refrigerador de lado a lado ni lo haga "caminar" cuando trate de moverlo, ya que podría dañar el suelo.

LIMPIEZA ANTES DEL USO

Una vez que usted haya quitado todos los materiales de empaque, limpie el interior del refrigerador antes de usarlo. Vea las instrucciones de limpieza en "Cuidado del refrigerador".

Información importante acerca de los estantes y tapas de vidrio:

No limpie los estantes y tapas de vidrio con agua caliente mientras estén fríos. Los estantes y tapas pueden romperse si se exponen a cambios bruscos de temperatura o a impactos como golpes bruscos. El vidrio templado se ha diseñado para hacerse añicos. Esto es normal. Los estantes y tapas de vidrio son muy pesados. Use ambas manos al quitarlos para evitar que se caigan.

PASO 2 - CAMBIO DEL SENTIDO DE APERTURA DE LAS PUERTAS (OPCIONAL)

Las bisagras de las puertas vienen instaladas de fábrica a la derecha. Si desea que las puertas se abran del lado opuesto, puede invertir el sentido de apertura.

IMPORTANTE:

- Antes de comenzar, desenchufe el refrigerador o desconecte el suministro de energía.
- Retire los alimentos y los recipientes de la puerta del refrigerador.
- Las bisagras de las puertas han sido diseñadas para abrir hacia la derecha o hacia la izquierda específicamente. Cambie las bisagras de la derecha por las bisagras de la izquierda provistas en la bolsa de piezas. Después de quitar las bisagras de la derecha, guárdelas en caso que necesite invertir el sentido de apertura de las puertas.

Piezas provistas:

- Bisagra superior
- Bisagra central
- Bisagra inferior

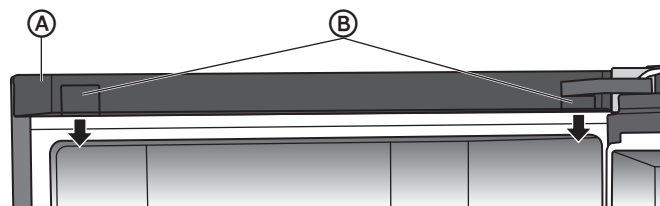
Herramientas necesarias:

- Destornillador de hoja plana
- Destornillador Phillips
- Llave de cubo de 8 mm

CÓMO QUITAR E INVERTIR LA PUERTA DEL REFRIGERADOR

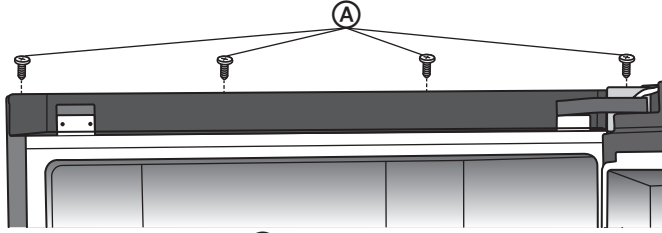
1. Desenchufe el refrigerador o desconecte el suministro de energía.
2. Presione hacia abajo para quitar las cubiertas de los tornillos de la bisagra de la cubierta de cableado.

NOTA: La cubierta de cableado abarca el ancho de la parte superior del gabinete.



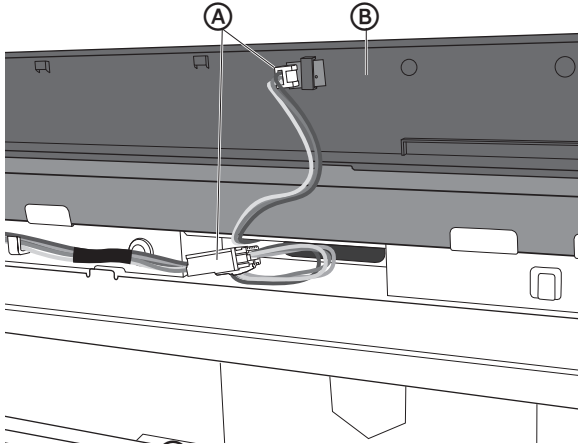
- Ⓐ Cubierta de cableado
- Ⓑ Cubiertas de los tornillos de la bisagra

3. Con un destornillador Phillips, quite los cuatro tornillos que sujetan la cubierta de cableado a la parte superior del gabinete del refrigerador. Levante la cubierta de cableado y apóyela sobre la parte superior del gabinete.



(A) Tornillos

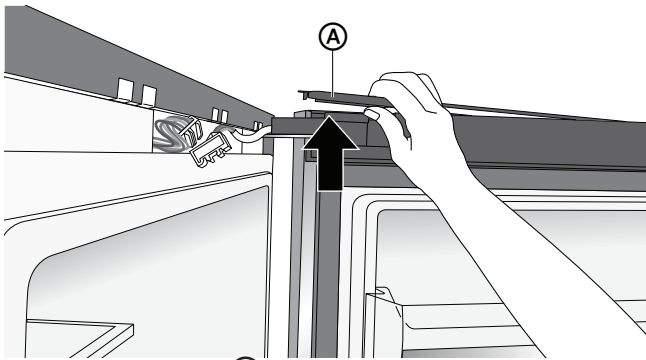
4. Desconecte los arneses de cableado; para ello, apriete y extraiga cada extremo con cuidado. Deje la cubierta de cableado a un lado.



(A) Arnases de cableado

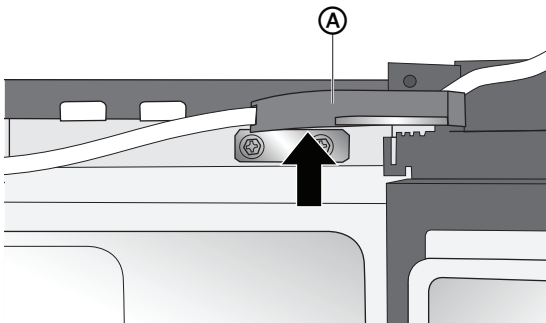
(B) Cubierta de cableado

5. Con sus pulgares en la abertura junto a la bisagra, presione hacia arriba en la placa superior para liberarla y quítela de la puerta del refrigerador. Deje la placa superior a un lado.



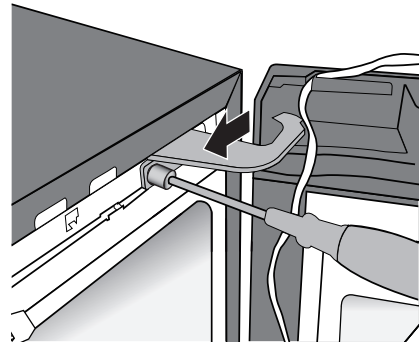
(A) Placa superior

6. Levante la cubierta de la bisagra para quitarla y guárdela en caso de que necesite usarla en el futuro.



(A) Cubierta de la bisagra

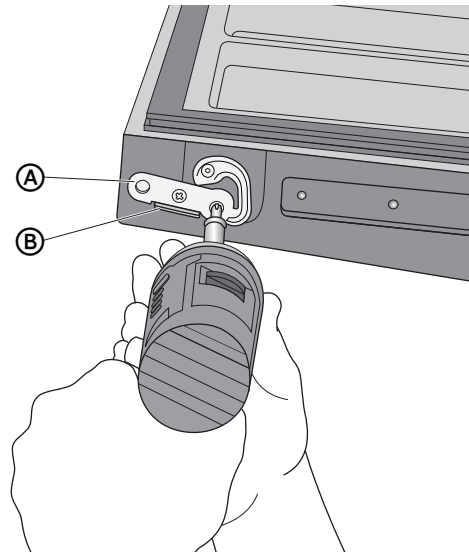
7. Utilice una llave de cubo de 8 mm para quitar los dos tornillos que sujetan la bisagra superior al gabinete.



8. Deslice la bisagra superior para soltarla del tercer tornillo del gabinete y luego levántela para quitar el pasador de la bisagra de la puerta.

NOTA: Guarde la bisagra superior en caso de que necesite usarla en el futuro.

9. Levante la puerta del refrigerador para quitarla de la bisagra central y coloque con cuidado la puerta sobre una superficie cubierta.
10. Con un destornillador Phillips, quite el cierre plástico de la puerta y el tope de metal de la puerta de la parte inferior de esta.

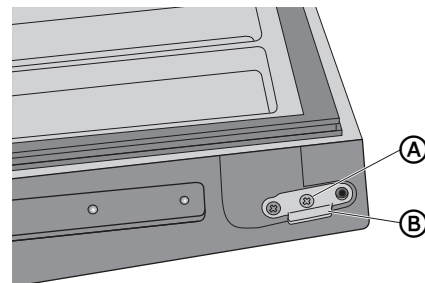


(A) Cierre de la puerta

(B) Tope de la puerta

11. Quite el tornillo del cierre de la puerta y vuelva a colocarlo en el orificio de donde lo quitó.

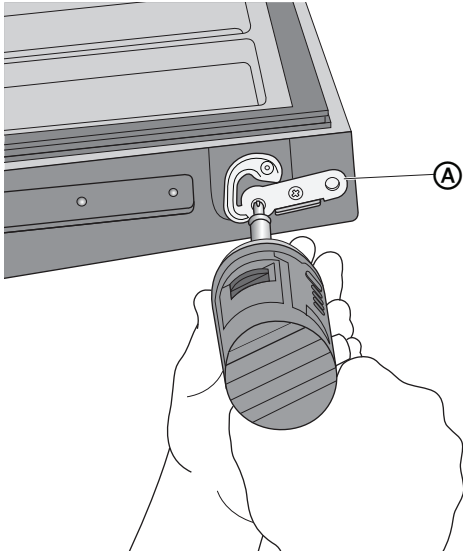
12. Traslade el tope de la puerta hacia el lado opuesto. Inserte el tornillo en el orificio del centro y sujételo.



(A) Tornillo

(B) Tope de la puerta

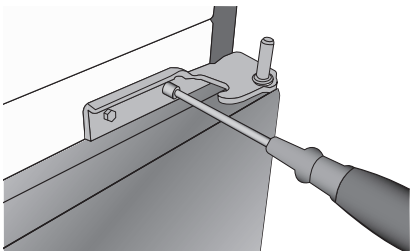
- Traslade el cierre de la puerta hacia el lado opuesto. Invierta la posición del cierre de la puerta de manera que el lado curvo del cierre quede hacia el centro de la puerta.
- Quite el tornillo interno. Acomode el cierre de la puerta en la parte superior del tornillo del tope de la puerta y sujételo con el tornillo interno.



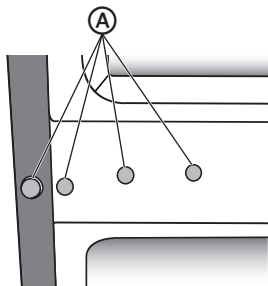
(A) Cierre de la puerta

CÓMO QUITAR E INVERTIR LA PUERTA DEL CONGELADOR

- Quite los dos tornillos que sujetan la bisagra central a la parte inferior del compartimiento del refrigerador. Quite la bisagra central y guárdela en caso de que necesite usarla en el futuro.

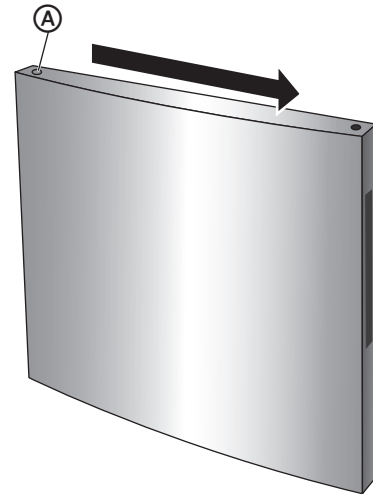


- Levante la puerta del compartimiento del congelador desde la bisagra inferior.
- Traslade los tapones para los orificios y el tornillo hacia el lado opuesto.



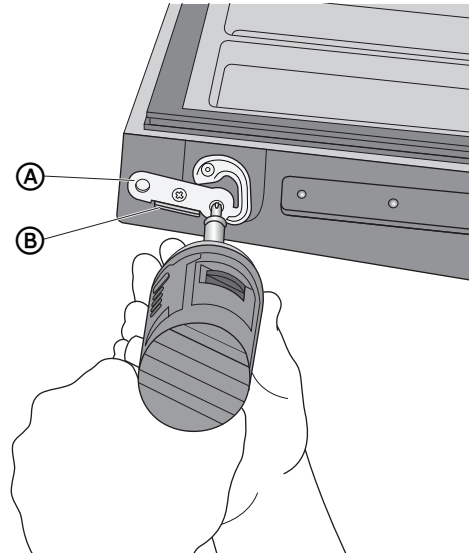
(A) Tapones para los orificios

- Traslade el tapón para orificio de la parte superior de la puerta del congelador hacia el lado opuesto.



(A) Tapón para orificio

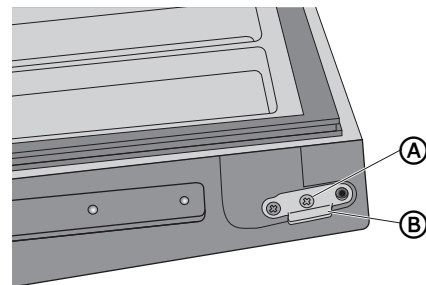
- Con un destornillador Phillips, quite los dos tornillos que sujetan el cierre plástico de la puerta y el tope de metal de la puerta de la parte inferior de esta.



(A) Cierre de la puerta

(B) Tope de la puerta

- Quite el tornillo del cierre de la puerta y vuelva a colocarlo en el orificio de donde lo quitó.
- Traslade el tope de la puerta hacia el lado opuesto. Inserte el tornillo en el orificio del centro y sujételo.

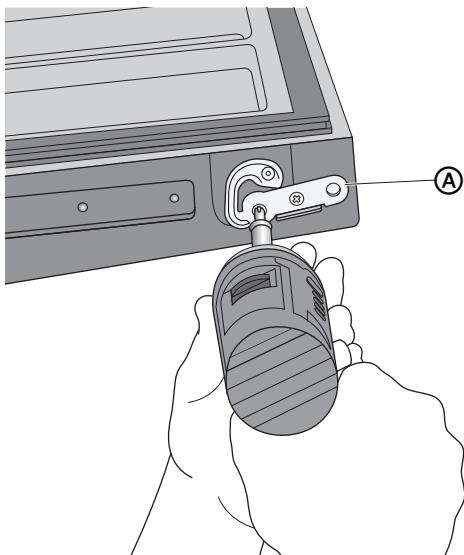


(A) Tornillo

(B) Tope de la puerta

- Traslade el cierre de la puerta hacia el lado opuesto. Invierta la posición del cierre de la puerta de manera que el lado curvo del cierre quede hacia el centro de la puerta.

9. Quite el tornillo interno. Acomode el cierre de la puerta en la parte superior del tornillo del tope de la puerta y sujételo con el tornillo interno.



(A) Cierre de la puerta

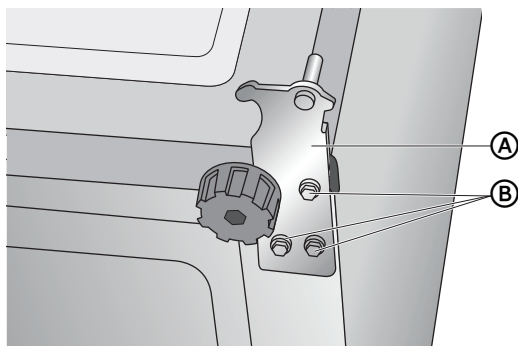
⚠ ADVERTENCIA

Peligro de Peso Excesivo

Use dos o más personas para mover e instalar el refrigerador.

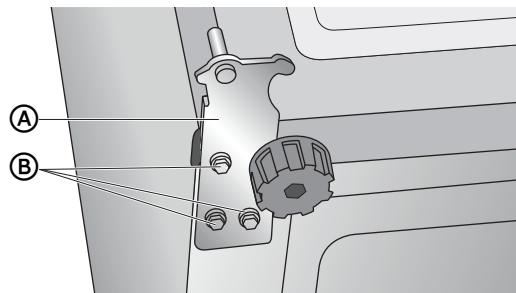
No seguir esta instrucción puede ocasionar una lesión en la espalda u otro tipo de lesiones.

10. Con la ayuda de dos o más personas, apoye el refrigerador en el suelo.
11. Quite los tres tornillos que sujetan la bisagra inferior al gabinete. Quite la bisagra inferior y guárdela en caso de que necesite usarla en el futuro.



(A) Bisagra inferior
(B) Tornillos

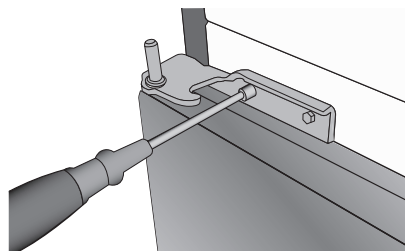
12. Saque una nueva bisagra inferior de la bolsa de accesorios. Utilice los tres tornillos que quitó anteriormente para sujetar la bisagra inferior al lado opuesto del gabinete.



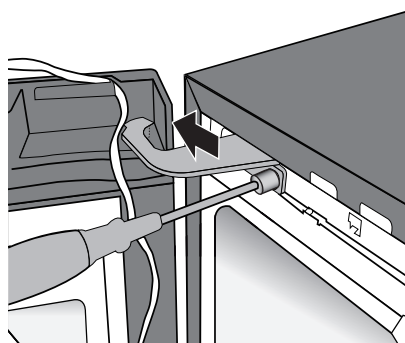
(A) Bisagra inferior
(B) Tornillos

VOLVER A INSTALAR LAS PUERTAS

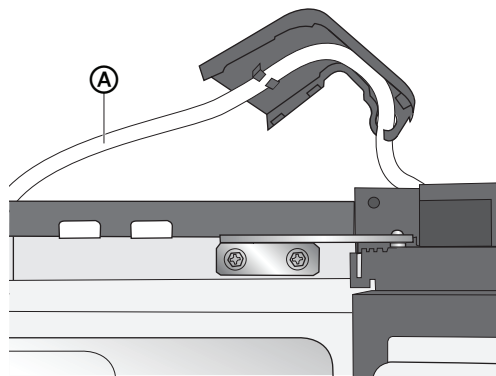
1. Alinee el orificio en la parte inferior de la puerta del compartimiento del congelador con el pasador de la bisagra y haga descender con cuidado la puerta en la bisagra inferior.
2. Alinee el borde de la puerta del congelador con el costado del gabinete antes de instalar la bisagra central.
3. Saque la nueva bisagra central de la bolsa de accesorios, inserte el pasador de la bisagra en la parte superior de la puerta del compartimiento del congelador y luego sujete la bisagra a la parte inferior de la apertura del compartimiento del refrigerador.



4. Saque la nueva bisagra superior de la bolsa de accesorios. Inserte el pasador de la bisagra en el orificio para la bisagra en la parte superior de la puerta del refrigerador y luego haga descender con cuidado la puerta en la bisagra central.
5. Alinee el borde de la puerta del refrigerador con el costado del gabinete antes de sujetar la bisagra superior.
6. Utilice los tornillos de la bisagra superior que quitó anteriormente para sujetar la bisagra superior al gabinete del refrigerador.

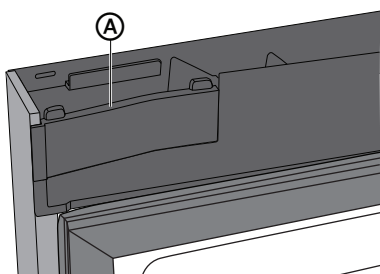


7. Saque la nueva cubierta de la bisagra de la bolsa de accesorios. Inserte el cable en los sujetadores en el lado inferior de la cubierta y, luego, acomode la cubierta sobre la bisagra.



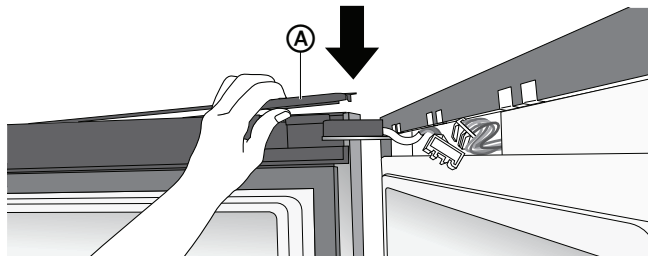
(A) Cable

8. Dé vuelta la cubierta de los tornillos de la bisagra e insértela en el borde interior de la puerta.



(A) Cubierta de los tornillos de la bisagra

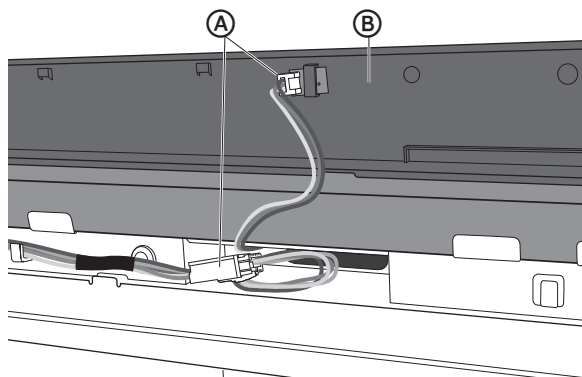
9. Vuelva a colocar la placa superior de la puerta.



(A) Placa superior

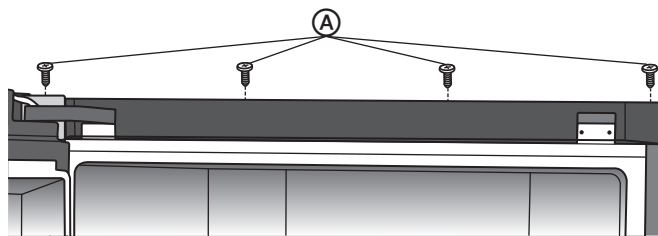
10. Conecte los extremos de ambos arneses de cableado.

NOTA: Asegúrese de que el cableado está presionado de manera firme en los sujetadores y acomode el largo restante en la abertura del gabinete.



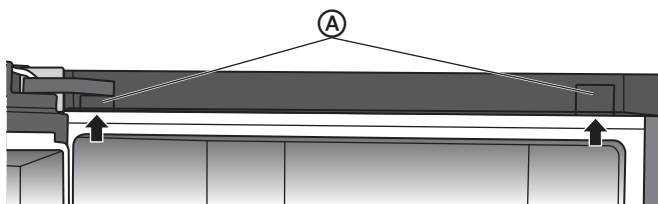
(A) Arneses de cableado
(B) Cubierta de cableado

11. Vuelva a colocar la cubierta de cableado en la parte superior del gabinete del refrigerador y sujétela con los cuatro tornillos.



(A) Tornillos

12. Inserte las cubiertas de los tornillos de la bisagra en la cubierta de cableado en la parte superior del gabinete.



(A) Cubiertas de los tornillos de la bisagra

PASO 3 - FINALIZACIÓN DE LA INSTALACIÓN

⚠ ADVERTENCIA



Peligro de Choque Eléctrico

Conecte a un contacto de pared de conexión a tierra de 3 terminales.

No quite el terminal de conexión a tierra del cable de alimentación.

No use un adaptador.

No use un cable eléctrico de extensión.

No seguir estas instrucciones puede ocasionar la muerte, incendio o choque eléctrico.

1. Conecte el aparato a un tomacorriente de 3 terminales con conexión a tierra.
2. Vuelva a colocar todas las piezas removibles en la puerta y los alimentos en el refrigerador.

NOTA: Este refrigerador comienza a funcionar apenas se conecta al suministro eléctrico.

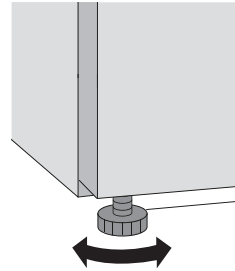
PASO 4 - NIVELACIÓN Y AJUSTE DE LA PUERTA (SI ES NECESARIO)

El refrigerador debe estar nivelado para mantener un mejor desempeño y apariencia.

NIVELACIÓN

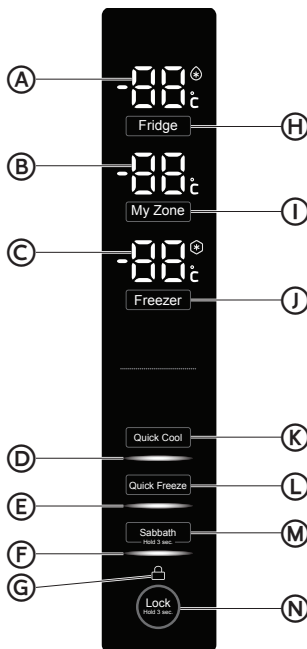
1. Mueva el refrigerador a su ubicación final.
2. Gire los pies en la parte inferior, la parte frontal del armario para subir o bajar ese lado del refrigerador hasta que el aparato esté nivelado de lado a lado.
3. Gire las dos patas frontales, la misma cantidad de veces, para elevar ligeramente el frente del refrigerador. Esto hará que las puertas se cierren con más facilidad.

NOTA: Para quitar un poco de peso de los tornillos niveladores, haga que alguien empuje la parte superior del refrigerador. Esto facilita el giro de los tornillos.



USO DE SU REFRIGERADOR

USO DE LOS CONTROLES



- | | |
|---|---|
| (A) Indicador de temperatura del refrigerador | (H) Control de temperatura del refrigerador |
| (B) Indicador de temperatura My Zone | (I) Control de temperatura My Zone |
| (C) Indicador de temperatura del congelador | (J) Control de temperatura del congelador |
| (D) Indicador de enfriamiento rápido | (K) Control de enfriamiento rápido |
| (E) Indicador de congelamiento rápido | (L) Control de congelamiento rápido |
| (F) Indicador de día de descanso | (M) Control de modo de día de descanso |
| (G) Indicador de bloqueo | (N) Bloqueo de control |

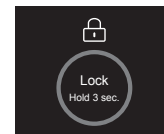
BOTONES TÁCTILES

Los controles son botones táctiles que se activan cuando se los toca suavemente.

BLOQUEO DEL PANEL DE CONTROL

El panel de control se bloquea automáticamente después de 30 segundos sin uso. Para cambiar los ajustes, se debe desbloquear el panel de control.

Para bloquear el panel de control:



1. Mantenga presionado LOCK (Bloqueo) durante 3 segundos. El indicador de bloqueo se apagará.



Para desbloquear el panel de control:

1. Mantenga presionado LOCK (Bloqueo) durante 3 segundos. El indicador de bloqueo se encenderá.

PANTALLA DE TEMPERATURA



Cuando no se utilicen los botones ni las puertas durante 30 segundos, se apagarán todas las luces LED en la pantalla del panel.

Cuando se presiona un botón o se abre una puerta, todas las luces LED en la pantalla del panel se iluminarán.

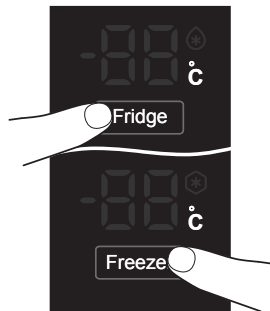
SELECTOR DE UNIDADES

La función del selector de unidades le permite elegir entre mostrar la temperatura programada en grados Fahrenheit (°F) o grados Celsius (°C).

La unidad de temperatura predeterminada es grados Fahrenheit.

1. Si está bloqueado, desbloquee el panel de control manteniendo presionado el botón LOCK (Bloqueo) durante 3 segundos.
2. Mantenga presionado los botones FRIDGE (Refrigerador) y FREEZER (Congelador) al mismo tiempo durante 3 segundos. Aparecerá °C junto a la pantalla de temperatura para indicar que la unidad se ha cambiado a grados Celsius.

- Para volver a mostrar la temperatura programada en grados Fahrenheit, mantenga presionado FRIDGE (Refrigerador) y FREEZER (Congelador) al mismo tiempo durante 3 segundos. El símbolo °C desaparecerá de la pantalla de temperatura.



CONTROLES DE TEMPERATURA

El rango de temperatura para el compartimiento del refrigerador es de 34 °F a 42 °F (1 °C a 6 °C). El rango de temperatura para el compartimiento del congelador es de -6 °F a 4 °F (-21 °C a -16 °C). El rango de temperatura para el compartimiento My Zone es de 27 °F a 41 °F (-3 °C a 5 °C).

Los compartimientos del refrigerador y My Zone están prefijados en la temperatura recomendada de 37 °F (3 °C) y el compartimiento del congelador está prefijado en la temperatura recomendada de 0 °F (-18 °C). Cuando el refrigerador se conecta por primera vez, la pantalla mostrará los ajustes de temperatura recomendados.

IMPORTANTE:

- El ajuste recomendado debe ser el correcto para un uso doméstico normal del refrigerador.
- Cuando el refrigerador se enciende por primera vez, puede tardar hasta 12 horas para enfriar hasta las temperaturas prefijadas. Espere 24 horas para que el refrigerador se enfríe completamente antes de agregar alimentos. Si agrega alimentos antes de que el refrigerador se haya enfriado por completo, podrían echarse a perder.
- Si la temperatura está demasiado elevada o demasiado baja en el refrigerador o en el congelador, antes de regular los controles, revise primero los ductos de ventilación para cerciorarse de que no estén obstruidos.

Cómo ajustar los controles

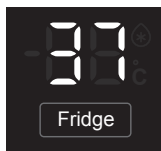
No ajuste ningún control de temperatura en más de un ajuste por vez, excepto cuando encienda el refrigerador. Espere 24 horas entre los ajustes para que se establezca la temperatura.

NOTA: No se puede regular la temperatura si está activada otra función de control como Quick Freeze (Congelamiento rápido), Quick Cool (Enfriamiento rápido) o modo Sabbath (Día de descanso) o si está bloqueado el panel de control. El indicador correspondiente se iluminará y se oirá un sonido.

Para regular la temperatura del refrigerador:

- Si está bloqueado, desbloquee el panel de control manteniendo presionado el botón LOCK (Bloqueo) durante 3 segundos.
- Presione el botón Fridge (Refrigerador) para regular la temperatura.

NOTA: La temperatura aumenta en un grado y se oye un sonido cada vez que presiona el botón.

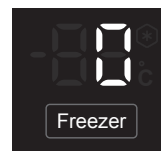


Después de 5 segundos sin presionar ningún botón, el ajuste de temperatura se confirma de forma automática.

Para regular la temperatura del congelador:

- Si está bloqueado, desbloquee el panel de control manteniendo presionado el botón LOCK (Bloqueo) durante 3 segundos.
- Presione el botón Freezer (Congelador) para regular la temperatura.

NOTA: La temperatura se reduce en un grado y se oye un sonido cada vez que presiona el botón.



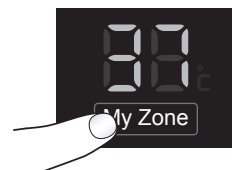
Después de 5 segundos sin presionar ningún botón, el ajuste de temperatura se confirma de forma automática.

Para ajustar la temperatura de My Zone:

- Si está bloqueado, desbloquee el panel de control manteniendo presionado el botón LOCK (Bloqueo) durante 3 segundos.
- Presione el botón MY ZONE para regular la temperatura.

NOTAS:

- La temperatura aumenta de a dos grados F (un grado C) y se oye un sonido cada vez que presiona el control.
- La temperatura del compartimiento My Zone no se puede ajustar a una temperatura más cálida que el compartimiento del refrigerador.



- Presione cualquier control excepto My Zone para confirmar. La luz indicadora dejará de parpadear.

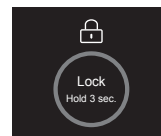
NOTA: El ajuste de temperatura se confirmará automáticamente después de 5 segundos.

Ajuste	Descripción
35°F - 41°F (2°C - 5°C)	Frutas y verduras Adecuado para almacenar frutas y verduras.
27°F (-3°C)	Descongelar alimentos congelados Enfriamiento rápido de bebidas.
29°F - 35°F (-2°C - 2°C)	Carnes Adecuado para almacenar pescado fresco, carne y alimentos cocidos durante 1 a 2 días.

QUICK COOL

La función Quick Cool (Enfriamiento rápido) acelera el enfriamiento de los alimentos frescos y protege los alimentos ya almacenados del calentamiento no deseado.

- Si está bloqueado, desbloquee el panel de control manteniendo presionado el botón LOCK (Bloqueo) durante 3 segundos.



- Presione el botón Quick Cool (Enfriamiento rápido). Los indicadores de Quick Cool (Enfriamiento rápido) se iluminarán.



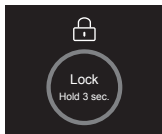
- Repita los pasos 1 y 2 para apagar de forma manual la función Quick Cool (Enfriamiento rápido).

NOTA: Quick Cool (Enfriamiento rápido) se apagará de forma automática después de 3 horas.

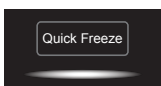
CONGELAMIENTO RÁPIDO

La función Quick Freeze (Congelamiento rápido) acelera el congelamiento de los alimentos frescos y protege los alimentos congelados del calentamiento no deseado. Si necesita congelar una gran cantidad de alimentos, se recomienda seleccionar la función Quick Freeze (Congelamiento rápido) algunas horas antes.

- Si está bloqueado, desbloquee el panel de control manteniendo presionado el botón LOCK (Bloqueo) durante 3 segundos.



- Presione el botón Quick Freeze (Congelamiento rápido). Los indicadores de Quick Freeze (Congelamiento rápido) se iluminarán.



- Repita los pasos 1 y 2 para apagar manualmente la función Quick Freeze (Congelamiento rápido).

NOTA: Quick Freeze (Congelamiento rápido) se apagará automáticamente después de 24 horas.

DÍA DE DESCANSO

La función Sabbath (Día de descanso) ha sido diseñada para aquellas personas cuyas prácticas religiosas requieren apagar las luces. Se desactivarán todas las luces interiores y las alarmas.

- Si está bloqueado, desbloquee el panel de control manteniendo presionado el botón LOCK (Bloqueo) durante 3 segundos.
- Mantenga presionado SABBATH (Día de descanso) durante 3 segundos hasta que se ilumine el indicador Sabbath (Día de descanso).

NOTAS:

- Se desactivarán todas las luces y los tonos de alerta.
- Si estaba activada la función Quick Cool (Enfriamiento rápido) y Quick Freeze (Congelamiento rápido), el modo Sabbath (Día de descanso) desactiva estas funciones de forma automática.
- El panel de control permanecerá desbloqueado mientras se encuentre en el modo Sabbath (Día de descanso).



- Para quitar la selección del modo Sabbath (Día de descanso), mantenga presionado el botón SABBATH (Día de descanso) durante 3 segundos.

CARACTERÍSTICAS

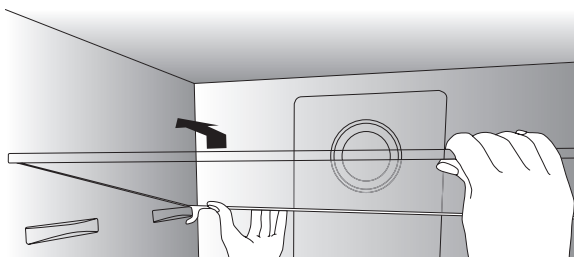
Información importante acerca de los estantes y tapas de vidrio:

No limpie los estantes y tapas de vidrio con agua caliente mientras estén fríos. Los estantes y tapas pueden romperse si se exponen a cambios bruscos de temperatura o a impactos como golpes bruscos. El vidrio templado se ha diseñado para hacerse añicos. Esto es normal. Los estantes y tapas de vidrio son muy pesados. Use ambas manos al quitarlos para evitar que se caigan.

ESTANTES REGULABLES

La altura de los estantes se puede regular para adaptarse a sus necesidades de almacenamiento.

- Para quitar un estante, levante la parte frontal y el borde posterior para desenganchar los ganchos del estante de los soportes del estante a lo largo de la pared del refrigerador y quitarlo.

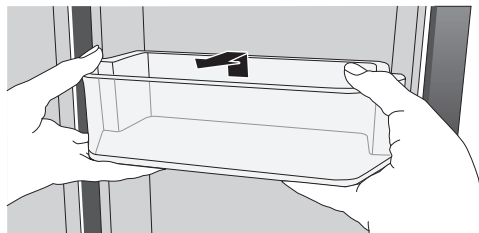


- Para volver a instalar un estante, colóquelo en los soportes frontales y traseros. Empuje el estante hacia la parte trasera del refrigerador hasta la parte posterior de los ganchos del estante alrededor de los soportes del estante trasero.

RECIPIENTES DE LA PUERTA DESMONTABLES

Para quitar y volver a colocar un recipiente de la puerta:

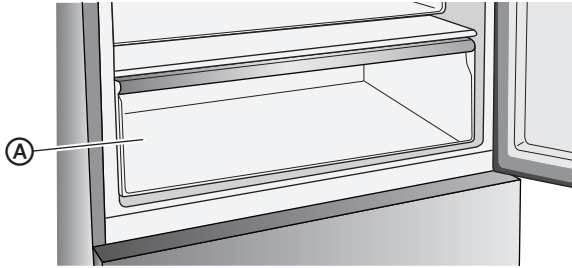
- Coloque las manos a ambos lados del recipiente y levántelo hacia arriba para sacarlo.
- Para volver a colocar un recipiente de la puerta, insértelo por encima del soporte y presione hacia abajo para trabar.



CAJÓN MY ZONE

El compartimiento My Zone le permite almacenar alimentos delicados a la temperatura correcta para garantizar un valor nutricional óptimo.

NOTA: No se recomienda utilizar My Zone para almacenar quesos o frutas y verduras sensibles al frío tales como aguacates, bananas, papas, pepinos y tomates.



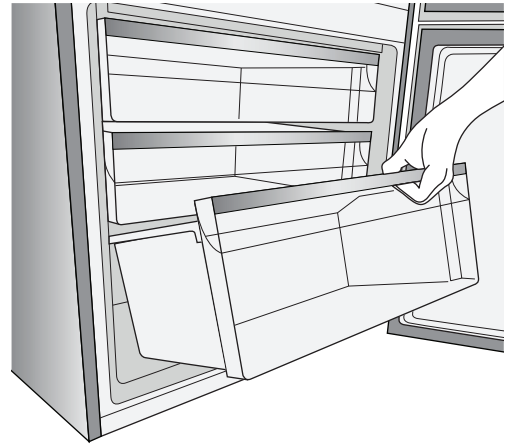
Ⓐ Cajón My Zone

CAJONES DEL DEPÓSITO DEL CONGELADOR DESMONTABLE

IMPORTANTE: No sobrecargue los cajones.

Para quitar y volver a colocar un cajón del congelador:

1. Quite el cajón del congelador extendiendo el cajón por completo, y luego levante el cajón y jale hacia fuera para quitarlo.



2. Vuelva a colocar el cajón inclinando la parte trasera del cajón hacia abajo sobre el soporte y deslícelo hacia adentro.

CUIDADO DEL REFRIGERADOR

LIMPIEZA

Tanto las secciones del refrigerador como la del congelador se descongelan automáticamente. No obstante, limpie ambas secciones más o menos una vez al mes para evitar la acumulación de olores. Limpie los derrames de inmediato.

Debido a que el aire circula entre ambas secciones, cualquier olor que se forma en una sección pasará a la otra. Debe limpiar bien ambas secciones para eliminar los olores. Para evitar la transferencia de olores y la deshidratación de los alimentos, envuelva o tape bien los alimentos.

⚠ ADVERTENCIA



Peligro de Explosión

Use un limpiador no inflamable.

No seguir esta instrucción puede ocasionar la muerte, explosión o incendio.

IMPORTANTE:

- No use productos químicos fuertes, amoníaco, blanqueador con cloro, detergente concentrado, solventes o estropajos de metal o abrasivos para limpiar su refrigerador por dentro o por fuera. Estos pueden dañar o decolorar el acabado del refrigerador.
- No utilice agua tibia para limpiar los estantes de vidrio mientras aún están fríos. El vidrio se podría romper si se lo expone a cambios bruscos de temperatura o a impactos.

⚠ ADVERTENCIA



Peligro de choque eléctrico

Desenchufe el aparato o desconecte el suministro de energía antes de limpiarlo.

No seguir esta instrucción puede ocasionar la muerte, choque eléctrico o daños personales.

1. Desenchufe el refrigerador o desconecte el suministro de energía.
2. Limpie el interior. Lave a mano, enjuague y seque bien todas las piezas removibles y las superficies interiores. Use una esponja limpia o un paño liso y un detergente suave en agua tibia.
3. Limpie las superficies exteriores.

Metal pintado: Limpie el exterior de metal pintado con un paño limpio y liso, o una esponja y detergente suave en agua tibia. Enjuague las superficies con agua tibia limpia y séquelas inmediatamente para evitar las manchas de agua.

Acero inoxidable: El acero inoxidable es resistente a la corrosión y no a prueba de corrosión. Para ayudar a evitar la corrosión del acero inoxidable, lave las superficies de acero inoxidable con un paño limpio y liso o una esponja y un detergente suave en agua tibia. Enjuague las superficies con agua tibia limpia y séquelas inmediatamente para evitar las manchas de agua.

NOTA: Cuando limpie el acero inoxidable, siempre hágalo en la dirección de la veta para evitar rayas perpendiculares a esta.

4. Enchufe el refrigerador o vuelva a conectar el suministro de energía.

LUCES

Las luces del interior del refrigerador se apagan cuando las puertas están abiertas durante más de 7 minutos.

IMPORTANTE: El refrigerador está equipado con luces LED. Estas luces se diseñaron para durar toda la vida útil del refrigerador. Sin embargo, si las luces dejan de funcionar, llame a un técnico calificado para su reemplazo.

CUIDADO DURANTE LAS VACACIONES Y MUDANZAS

⚠️ ADVERTENCIA



Peligro de Explosión o Incendio

No perforo el tubo refrigerante.

Siga con cuidado las instrucciones de manipulación.

El refrigerante usado es inflamable.

No seguir esta instrucción puede ocasionar la muerte, explosión, o incendio.

VACACIONES

Si usted decide dejar el refrigerador funcionando mientras está ausente:

1. Use todos los artículos perecederos y congele el resto.

Si decide apagar el refrigerador antes de irse:

1. Quite toda la comida del refrigerador y del congelador.
2. Desenchufe el refrigerador o desconecte el suministro de energía.
3. Limpie el refrigerador, pásele un trapo y séquelo bien.
4. Fije bloques de goma o de madera con cinta adhesiva en la parte superior de ambas puertas para que queden abiertas y el aire circule. Esto evita que se formen olores y se desarrollen hongos.

MUDANZA

⚠️ ADVERTENCIA

Peligro de Peso Excesivo

Use dos o más personas para mover e instalar el refrigerador.

No seguir esta instrucción puede ocasionar una lesión en la espalda u otro tipo de lesiones.

Si Ud. muda su refrigerador a una casa nueva, siga estos pasos para prepararse para la mudanza.

1. Saque todos los alimentos del refrigerador y empaque todos los alimentos congelados en hielo seco.
2. Desenchufe el refrigerador.
3. Limpie, enjuague y seque bien.
4. Saque todas las piezas removibles, envuélvalas bien y asegúrelas con cinta adhesiva para que no se muevan ni se sacudan durante la mudanza.
5. Levante las patas niveladoras para que no dañen el piso. Vea "Nivelación".
6. Sostenga las puertas para que queden cerradas y el cable pegado a la parte posterior del refrigerador con cinta adhesiva.
7. Cuando llegue a la casa nueva, coloque todo de nuevo en su sitio y lea la sección "Instrucciones de instalación" para obtener instrucciones de preparación.

CÓMO VOLVER A INSTALAR O USAR EL REFRIGERADOR NUEVAMENTE

Si el refrigerador ha sido colocado en posición horizontal o se ha inclinado durante algún periodo de tiempo, espere 24 horas antes de enchufarlo para permitir que el refrigerante se asiente.

1. Limpie el refrigerador. Vea "Limpieza".
2. Coloque el refrigerador en la ubicación deseada y nivélelo. Vea "Instrucciones de instalación".

SOLUCIÓN DE PROBLEMAS

Pruebe primero las soluciones recomendadas en esta sección para evitarse el costo de una visita innecesaria del servicio técnico.

EL REFRIGERADOR NO FUNCIONA

PROBLEMA	POSIBLE(S) CAUSA(S)	SOLUCIÓN
El refrigerador no funciona	El refrigerador no está enchufado.	Enchufe el cable de suministro de energía en la fuente de energía.
	Se ha disparado o se ha apagado el cortacircuitos/Se ha quemado un fusible.	Reajuste/Encienda el cortacircuitos o reemplace el fusible.
	El refrigerador está en modo de descongelación.	Espere unos 40 minutos para que finalice el ciclo de descongelación y se reanude el sistema de refrigeración.
El compresor del refrigerador funciona con frecuencia o durante largos períodos de tiempo NOTA: Este refrigerador ha sido diseñado para funcionar durante períodos más largos de tiempo con un consumo de energía más bajo.	El refrigerador se enchufó por primera vez.	Esto es normal. Deje transcurrir 24 horas para que el refrigerador se enfríe.
	Se han agregado alimentos tibios o una gran cantidad de alimentos.	Esto es normal.
	La puerta está abierta.	Asegúrese de que la puerta no queda abierta a causa de un artículo.
	Hace calor o se abre con frecuencia.	Esto es normal.
	Control de temperatura fijo en la posición más fría.	Ajuste la temperatura a un ajuste más caliente.
El refrigerador huele mal	Los alimentos no están sellados o envasados correctamente.	Vuelva a sellar los envases. Coloque una caja abierta con bicarbonato de sodio en el refrigerador y cámbiela cada 3 meses.
	Debe limpiar el interior.	Limpie el interior. Vea "Limpieza".
	Se han guardado los alimentos por mucho tiempo.	Deseche los alimentos que se han echado a perder.
La luz no se enciende	El refrigerador no está enchufado.	Enchufe el refrigerador a una fuente de energía.
	La luz LED está quemada.	Llame a un técnico calificado para cambiar la luz LED quemada.
	Se activó el modo Sabbath (Día de descanso).	Las luces están desactivadas en el modo Sabbath (Día de descanso). Para encender las luces, debe apagar el modo Sabbath (Día de descanso). Para conocer las instrucciones, vea "Modo Día de descanso".
Las puertas no cierran correctamente	El refrigerador no está nivelado.	Vea "Nivelación".
	Algo está obstruyendo el cierre de la puerta.	Revise si hay obstrucciones y quítelas.
Vibración o traqueteo	El refrigerador no está apoyado firmemente en el suelo.	Vea "Nivelación".
Sonidos normales	Se escucha un sonido como si fluyera agua del refrigerador.	El refrigerante que fluye por las líneas hace este sonido cuando se enciende y se apaga el compresor. El refrigerador tiene un sistema de descongelación automático. El sonido es ocasionado por el agua descongelada.
	Zumbidos o chirridos	Este sonido es ocasionado por el compresor y los ventiladores de circulación de aire frío. Si el refrigerador no está nivelado, el sonido será más fuerte.
	Crujidos o chasquidos	Este sonido es ocasionado por las piezas interiores cuando se contraen y se expanden en respuesta a los cambios de temperatura.

TEMPERATURA Y HUMEDAD

PROBLEMA	POSIBLE(S) CAUSA(S)	SOLUCIÓN
Refrigerador o congelador demasiado caliente	El control de temperatura no está en un ajuste suficientemente bajo.	Ajuste el compartimiento a un ajuste más frío; espere 24 horas para que se ajuste la temperatura.
	Las puertas se abren con frecuencia o quedan abiertas.	Mantenga la puerta cerrada/Verifique que no haya un paquete que evite que se cierre la puerta.
	Se agregaron alimentos calientes recientemente.	Deje transcurrir un rato para que se enfríen los alimentos y el refrigerador.
	El espacio entre la parte posterior del refrigerador y la pared es demasiado pequeño.	Deje un espacio de por lo menos 2" (5 cm) entre la parte posterior del refrigerador y la pared.
	Los artículos ubicados contra la parte posterior de los compartimientos están bloqueando el flujo de aire adecuado.	Almacene los artículos únicamente dentro de los estantes de vidrio; no coloque los artículos contra los lados de los compartimientos o directamente enfrente de los ductos de ventilación.
Refrigerador o congelador demasiado frío	El control de temperatura se fijó en un ajuste demasiado bajo.	Fije la temperatura en el compartimiento en el próximo ajuste más cálido; espere 24 horas para que se ajuste.
Humedad en el exterior/interior del refrigerador	Humedad elevada	Esto es normal. Seque la superficie y fije la temperatura en un ajuste ligeramente más frío. Encienda la función "Dehumidify" (Deshumidificación) si la humedad aparece en la junta con bisagras de la puerta izquierda del refrigerador.
	Las puertas se abren con frecuencia o quedan abiertas.	Mantenga la puerta cerrada. Verifique que no haya un paquete que evite que se cierre la puerta.
	Recipiente con agua abierto en el refrigerador	Cubra o selle el recipiente.
Escarcha o cristales de hielo en alimentos congelados	La puerta del congelador queda abierta o se abre con frecuencia	Ajuste la temperatura a un ajuste más caliente; espere 24 horas para que se ajuste.
	Los artículos bloquean los ductos de ventilación del congelador e impiden el flujo de aire adecuado.	Aleje los artículos de la pared trasera.
Se congelan los alimentos en el refrigerador	Alimentos colocados demasiado cerca del ducto de ventilación.	Aleje los artículos de la parte posterior y superior del refrigerador.
	El control de temperatura tiene un ajuste demasiado frío.	Ajuste la temperatura a un ajuste menos frío.

SI NECESITA MÁS AYUDA, VISITE HAIERAMERICA.COM O COMUNÍQUESE CON LA LÍNEA DE AYUDA AL CONSUMIDOR LLAMANDO AL 1-877-337-3639.

GARANTÍA LIMITADA

SERVICIO EN EL HOGAR

GARANTÍA COMPLETA POR UN AÑO

Durante 12 meses a partir de la fecha de compra original en la tienda, Haier reparará o reemplazará cualquier pieza del aparato sin costo, incluyendo la mano de obra, si la misma falla debido a defectos en los materiales o en la mano de obra.

Haier puede reemplazar o reparar, a su sola discreción, cualquier pieza, subsistema, incluso el producto entero.

El producto debe ser accesible, sin inconvenientes, e instalarse de forma adecuada para recibir el servicio técnico de reparación por parte de la garantía.

GARANTÍA LIMITADA

Después de un año a partir de la fecha de compra original en la tienda, Haier proveerá una pieza sin costo, como se indica a continuación, para reemplazar la pieza mencionada como resultado de defectos en los materiales o en la mano de obra. Haier se hará responsable solamente por el costo de la pieza. Cualquier otro costo como la mano de obra, los cargos por viaje, etc. será responsabilidad del propietario.

Del segundo al quinto año

Durante 60 meses a partir de la fecha de compra original en la tienda. Los componentes del sistema sellado (por ejemplo, compresor, condensador y evaporador herméticos) con defectos de fabricación. No se cubrirá ningún daño a tales componentes causados por excesivo uso mecánico o envío y manipulación inadecuada.

NOTA: Esta garantía comienza en la fecha de compra de este producto, y el recibo original deberá presentarse al representante autorizado de servicio antes de hacerse las reparaciones bajo la garantía.

Excepciones: Garantía bajo uso comercial

90 días en la mano de obra a partir de la fecha de compra original

90 días en las piezas a partir de la fecha de compra original

No es aplicable ninguna otra garantía.

PARA OBTENER SERVICIO BAJO LA GARANTÍA

Todo servicio deberá ser realizado por un centro de servicio autorizado por Haier. Para obtener el nombre y el número de teléfono del centro de servicio autorizado más cercano, llame al 1-877-337-3639.

Antes de llamar, tenga a mano la siguiente información:

Número de modelo y de serie del aparato. El nombre y la dirección del distribuidor en donde compró la unidad y la fecha de compra.

Una descripción clara del problema.

Un comprobante de compra (recibo de compra).

Esta garantía cubre servicios para electrodomésticos dentro de los Estados Unidos continental y Canadá y donde esté disponible en Alaska, Hawaii y Puerto Rico.

Lo que no está cubierto bajo esta garantía:

Reemplazo o reparación de fusibles domésticos, cortacircuitos, cableado o plomería.

Un producto cuyo número de serie original haya sido removido o alterado.

Cualquier cargo por servicio que no haya sido identificado específicamente como servicio normal, como puede ser el área o las horas de servicio.

Sustitución de las bombillas de luz.

Daños ocurridos durante el transporte.

Daños ocasionados por la instalación o el mantenimiento inadecuados.

Daños por el uso incorrecto, abuso, accidente, incendio, inundación o fenómenos de la naturaleza.

Daños debidos al servicio efectuado por un distribuidor o centro de servicio que sea diferente del autorizado por Haier.

Daños ocasionados por la corriente, el voltaje o el suministro eléctrico incorrectos.

Daños que resulten de cualquier modificación hecha en el producto, alteración o ajustes no autorizados por Haier.

Ajuste de los controles manejados por el cliente según han sido identificados en el manual del propietario.

Mangueras, perillas, bandejas de pelusa y todos los otros aditamentos, accesorios y piezas desechables.

Cargos por mano de obra, transporte para el servicio y envío para la remoción y el reemplazo de las piezas defectuosas que se efectúen después del período inicial de 12 meses.

Daños ocasionados por un uso diferente al doméstico normal.

Cualquier gasto de transporte y de envío.

ESTA GARANTÍA LIMITADA REEMPLAZA TODAS LAS OTRAS GARANTÍAS, EXPRESAS O QUE INCLUYAN LAS GARANTÍAS DE COMERCIABILIDAD O DE CAPACIDAD PARA UN PROPÓSITO EN PARTICULAR

El recurso provisto en esta garantía es exclusivo y está otorgado en lugar de cualquier otro recurso.

Esta garantía no cubre daños incidentales o consecuentes, de modo que las limitaciones indicadas anteriormente pueden no aplicarse en su caso. Algunos estados no permiten las limitaciones acerca de cuánto tiempo dura una garantía implícita, de modo que las limitaciones arriba indicadas quizás no le correspondan.

Esta garantía le otorga derechos legales específicos, y es posible que usted tenga otros derechos, los cuales varían de un estado a otro.

Haier America
Wayne, NJ 07470

IMPORTANT

Do Not Return This Product To The Store
If you have a problem with this product, please contact the
"Haier Customer Satisfaction Center" at
1-877-337-3639.

DATED PROOF OF PURCHASE, MODEL #, AND SERIAL #
REQUIRED FOR WARRANTY SERVICE

IMPORTANT

Ne pas Réexpédier ce Produit au Magasin
Pour tout problème concernant ce produit, veuillez contacter
le service des consommateurs "Haier Customer Satisfaction Center" au
1-877-337-3639.

PREUVE D'ACHAT DÁTÉE, NUMÉRO DE MODÈLE ET LE NUMÉRO DE SÉRIE
REQUIS POUR LE SERVICE DE GARANTIE

IMPORTANTE

No regrese este producto a la tienda
Si tiene algún problema con este producto, por favor contacte el
"Centro de Servicio al Consumidor de Haier" al
1-877-337-3639 (Válido solo en E.U.A).

NECESITA UNA PRUEBA DE COMPRA FECHADA, NÚMERO DE MODELO
Y DE SERIE PARA EL SERVICIO DE LA GARANTÍA

Made in China
Fabriqué en Chine
Hecho en China

Haier

Haier America
Wayne, NJ 07470