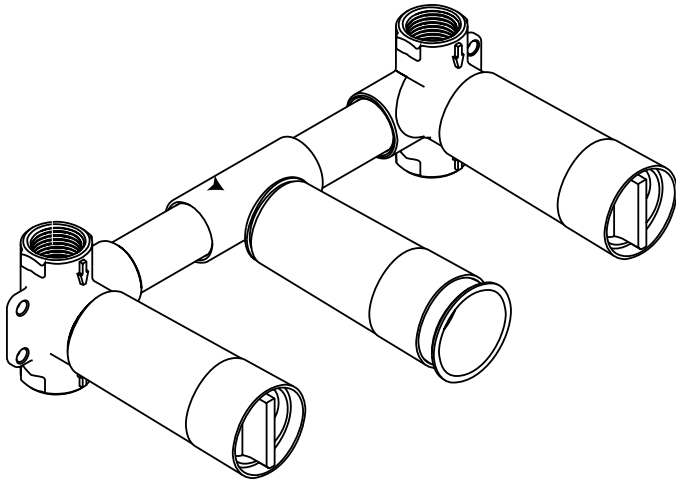


Wall-mounted Widespread Faucet

10303181



Product Features

- Solid brass
- 90° ceramic cartridges
- ½" female NPT inlets

Code Compliance

This unit meets or exceeds the following:

- ASME A112.18.1
- CSA B125.1
- Listed by IAPMO
- Approved for use in Massachusetts

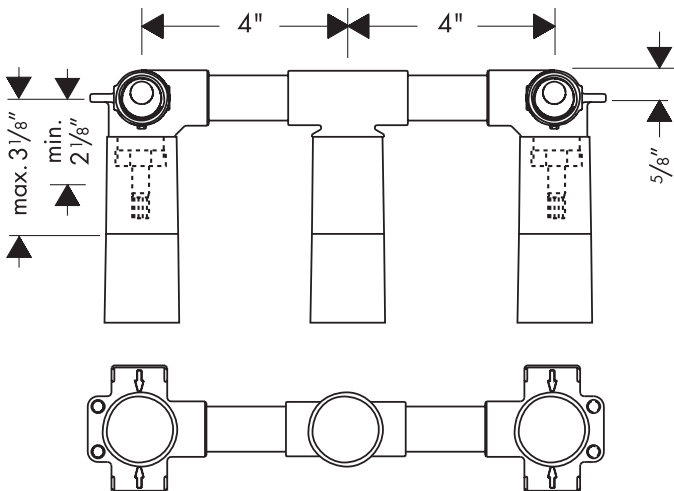
Required Accessories

Trim kit - many styles available

Optional Accessories

Grid drain

06400XX0



The measurements shown are for reference only.

Products and specifications shown are subject to change without notice.

Specification sheet revised 5/2008

Installation Notes

- Can be supplied from top or bottom