

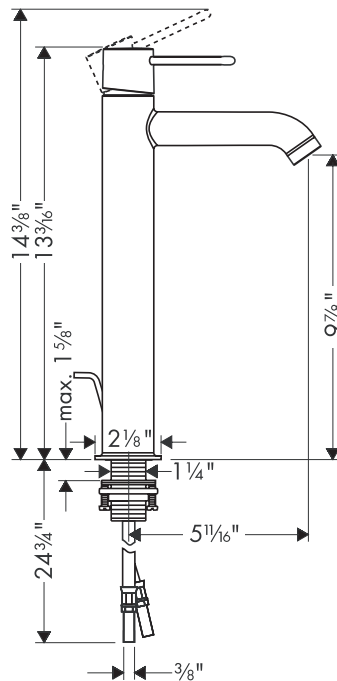
Product Features

- Loop handle with ceramic cartridge
- Single hole installation
- Solid brass
- 2.2 gpm
- Includes pop-up drain

Code Compliance

This unit meets or exceeds the following:

- ASME A112.18.1
- CSA B125.1
- Listed by IAPMO
- ADA compliant
- Approved for use in Massachusetts



Available Finishes

Chrome

38025001

Brushed Nickel

38025821

Installation Notes

- 3/8" Supply hoses - requires 3/8" compression fittings

The measurements shown are for reference only.

Products and specifications shown are subject to change without notice.

Specification sheet revised 12/2007