

Product Features

- Loop handle with ceramic cartridge
- Single hole installation
- Solid brass
- 2.2 gpm
- Includes pop-up drain

Code Compliance

This unit meets or exceeds the following:

- ASME A112.18.1
- CSA B125.1
- Listed by IAPMO
- ADA compliant
- Approved for use in Massachusetts

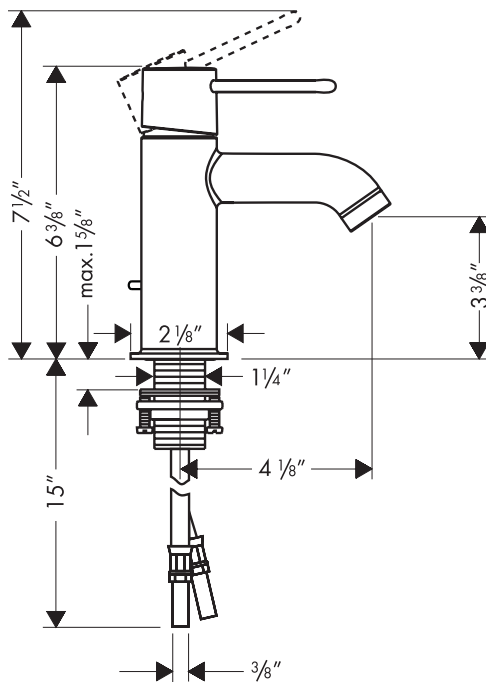
Available Finishes

Chrome

38020001

Brushed Nickel

38020821



The measurements shown are for reference only.

Products and specifications shown are subject to change without notice.

Specification sheet revised 12/2007