

## Product Features

- Single-hole mounting
- Single control with ceramic cartridge
- Award winning design
- Cascade no-clog aerator
- 2.2 gpm max.
- Includes pop-up drain

## Code Compliance

This unit meets or exceeds the following:

- ASME A112.18.1
- CSA B125.1
- Listed by IAPMO
- Approved for use in Massachusetts
- ADA compliant

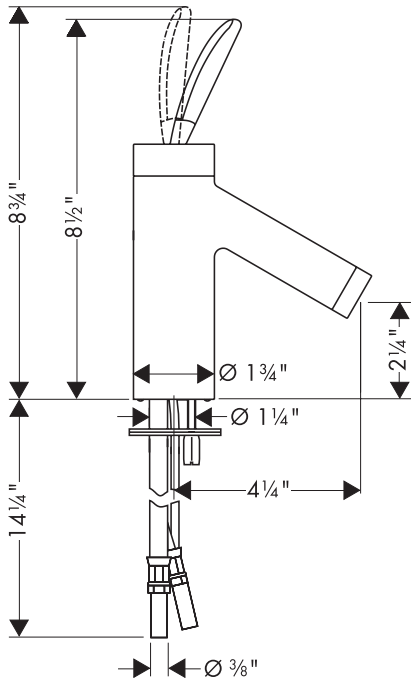
## Available Finishes

Chrome

10010001

Brushed Nickel

10010821



The measurements shown are for reference only.

Products and specifications shown are subject to change without notice.

Specification sheet revised 11/2007

## Installation Notes

- 3/8" supply hoses - requires 3/8" compression fittings