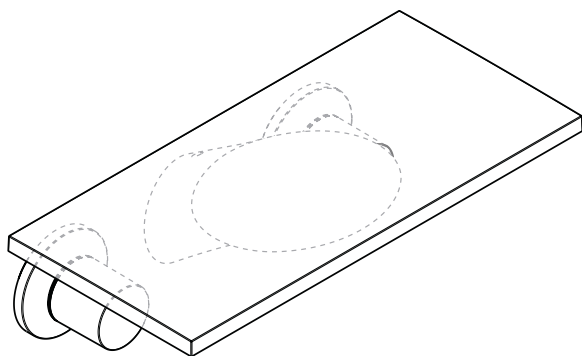


Axor Massaud Wall-Mounted Widespread, Short

18112001



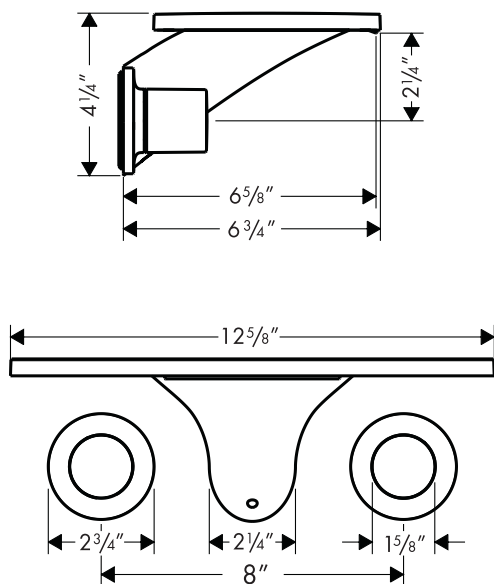
Product Features

- 90° Ceramic cartridges

Code Compliance

This unit meets or exceeds the following:

- ASME A112.18.1
- CSA B125.1
- Listed by IAPMO
- Approved for use in Massachusetts



Available Finishes

Chrome

18112001

Required Accessories

Rough

18113181

Optional Accessories

Grid drain

06400000

The measurements shown are for reference only.

Products and specifications shown are subject to change without notice.

Specification sheet revised 5/2008