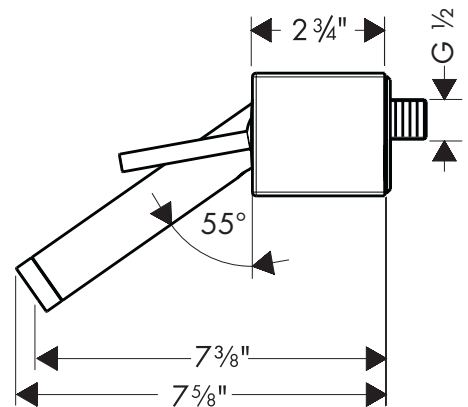
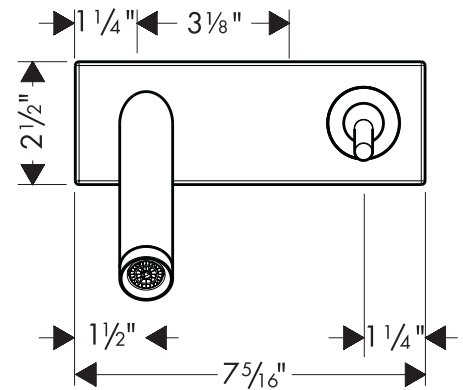
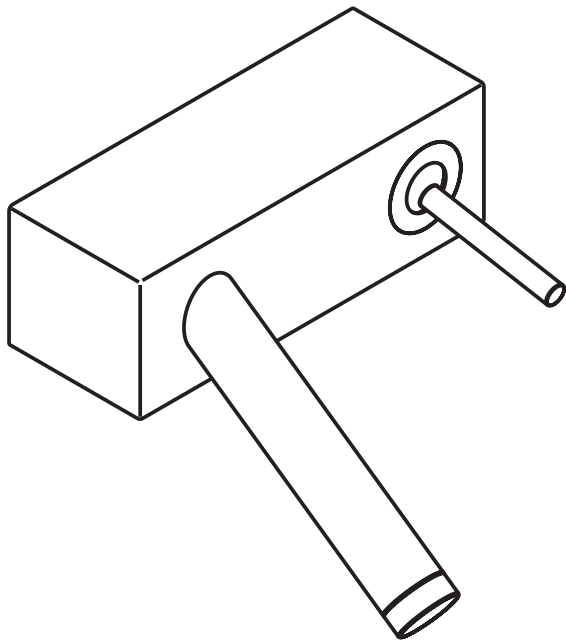


# Starck X Wall-Mount Faucet 10074001

Available in Chrome



## Product Specification

Flow rate 2.2 gpm

Maximum water pressure 145 psi

Recommended water pressure 14.5 - 75 psi

Recommended hot water temp 120°F - 140°F\*

No separate rough-in required: install 2 female threaded fittings, spaced 3 1/8" apart (on center), recessed 3/8" behind surface of finished wall for the hot and cold water supplies.

No drain included - consult the manufacturer of the sink for their recommendations regarding suitable drains.

Know and follow all applicable local plumbing codes regarding the required air gap between the end of the spout and the flood level of the lavatory.

\*Many municipalities require that the water heater be set no higher than 120°. Please know and follow all applicable plumbing codes when setting the temperature on the water heater.