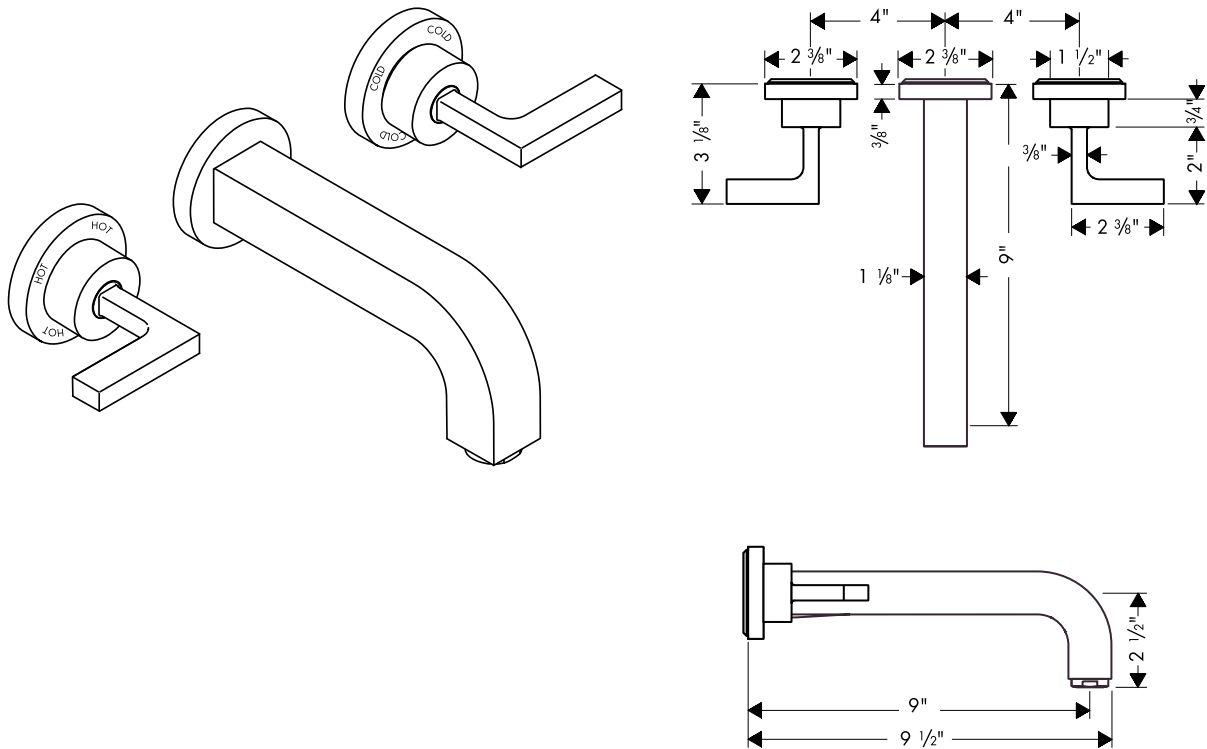


# Axor Citterio™ Wall Mount Lavatory Trim Kit 39147XX1

Available in Chrome (00) and Platinum (42)



## Product Specification

Lever handles  
Solid brass construction  
ADA compliant

|  |                |
|--|----------------|
| Flow Rate                                  | 2.2 GPM        |
| Recommended incoming water pressure        | 45 - 72.5 PSI  |
| Recommended incoming hot water temperature | 120° - 140° F* |
| Ceramic cartridges                         |                |
| Requires rough-in 10303181                 |                |

Drain not included.

\* some governing bodies require that the water heater be set to 120° F or less. Please know and follow all applicable local codes when setting the temperature on the water heater.

Minimum 1" air gap must be maintained between the spout outlet and flood level of the lavatory. Know and follow all applicable local codes regarding the air gap.