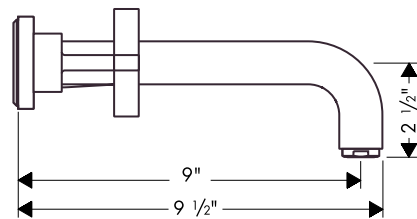
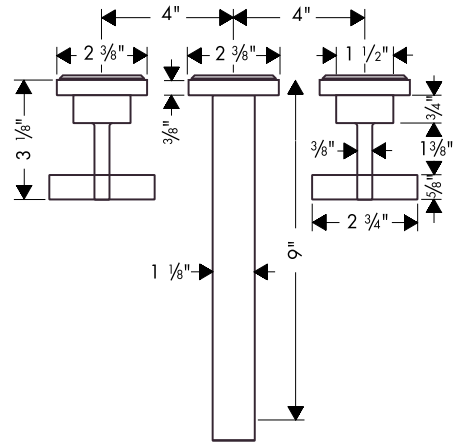
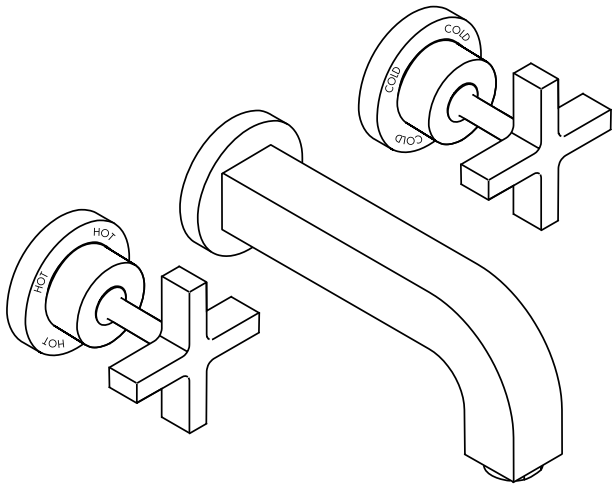


Axor Citterio™ Wall Mount Lavatory Trim Kit 39143XX1

Available in Chrome (00) and Platinum (42)



Product Specification

Cross handles
Solid brass construction
ADA compliant

Flow Rate	2.2 GPM
Recommended incoming water pressure	45 - 72.5 PSI
Recommended incoming hot water temperature	120° - 140° F*
Ceramic cartridges	
Requires rough-in 10303181	

Drain not included.

* some governing bodies require that the water heater be set to 120° F or less. Please know and follow all applicable local codes when setting the temperature on the water heater.

Minimum 1" air gap must be maintained between the spout outlet and flood level of the lavatory. Know and follow all applicable local codes regarding the air gap.