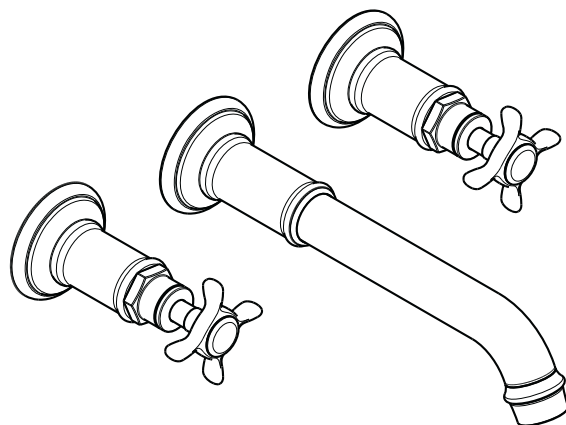
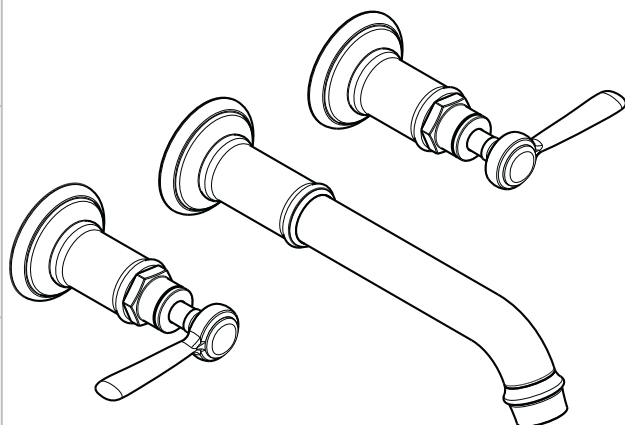


Installation Instructions / Warranty



Axor Montreux
16532XX1



Axor Montreux
16534XX1

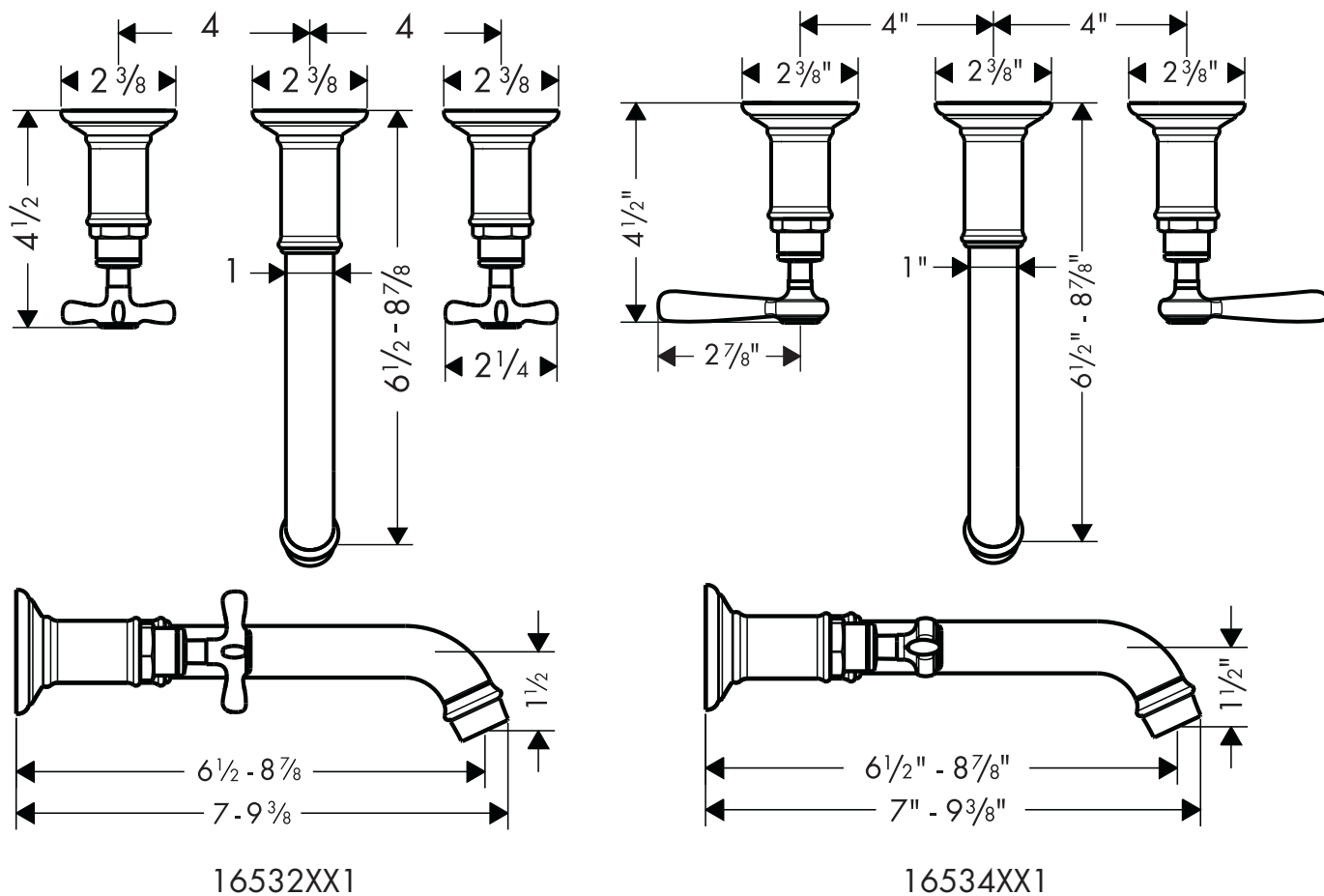
AXOR[®]

hansgrohe

Axor Montreux Wall-Mounted Widespread Lavatory Set

16532XX1 Cross handles

16534XX1 Lever handles



Technical Information

Recommended water pressure	14.7 - 72.5 psi
Max. water pressure	147 psi
Recommended hot water temp.	120° - 140° F*
Max. hot water temp	176°F*
Flow rate	2.2 gpm

*Please know and follow all applicable local plumbing codes when setting the temperature on the water heater.

Installation Considerations

- For best results, Hansgrohe recommends that this unit be installed by a licensed, professional plumber.
- Please read over these instructions thoroughly before beginning installation. Make sure that you have all tools and supplies needed to complete the installation.
- Rough 10303181 must be installed, and the wall surface completed and made watertight before installation of this trim kit.

Installation

Make sure that the water is turned off at the main before beginning!

Remove the caps from the plaster shields.

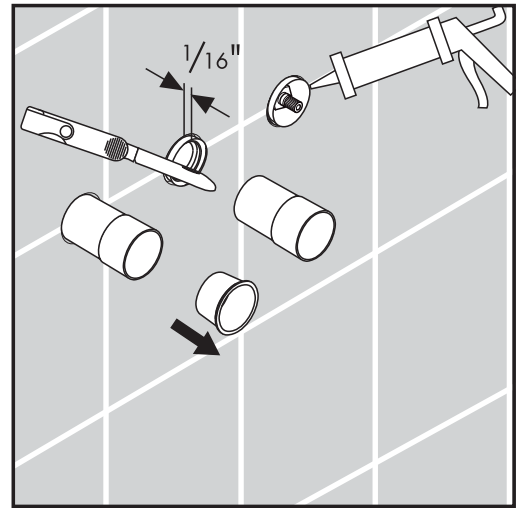
Cut the plaster shields so that they extend 1/16" outside the wall.



Seal the wall around the plaster shields with waterproof sealant.

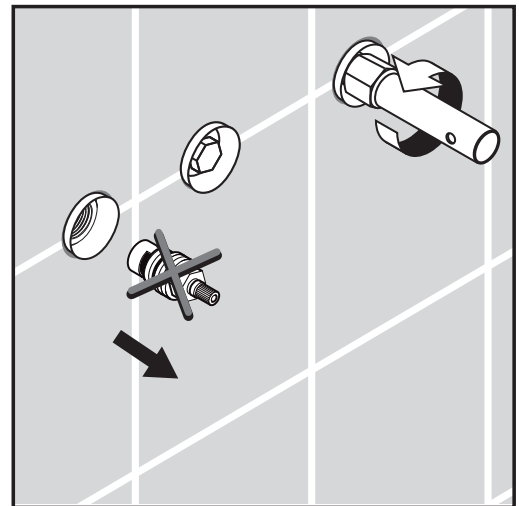


Failure to seal the wall can lead to possible water damage.



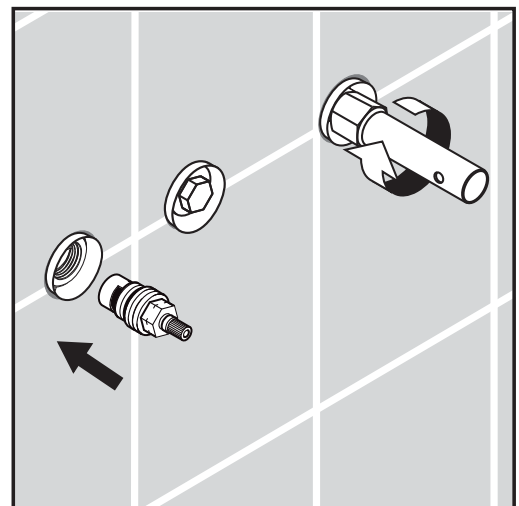
Model 16534XX1 only:

Remove the cartridges.



Install the new cartridges included with the trim.

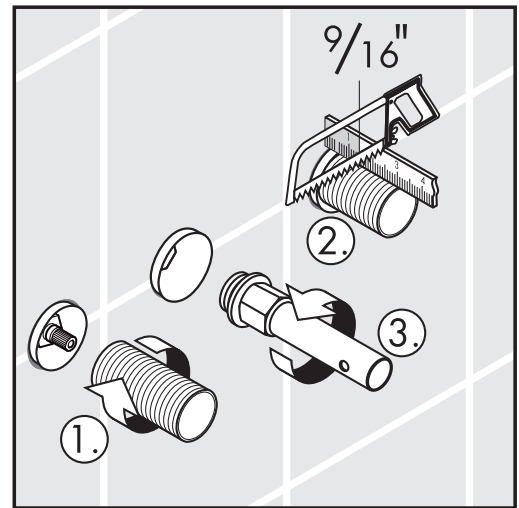
The new hot cartridge is marked with notches on the wrench flats.



All models:

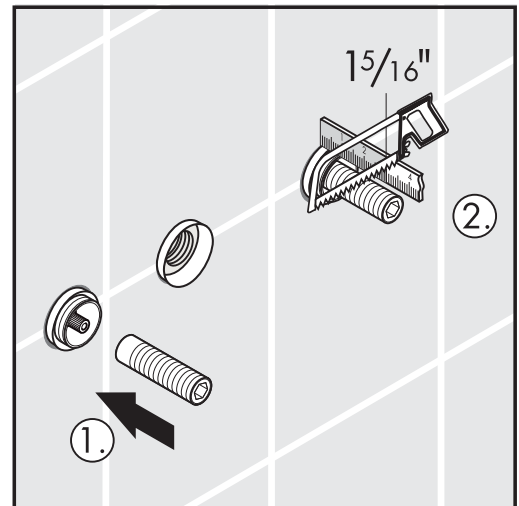
Install the extension spindles (1). Cut them so that they extend $9/16$ " outside the surface of the wall (2).

Remove the plug from the spout housing (3).

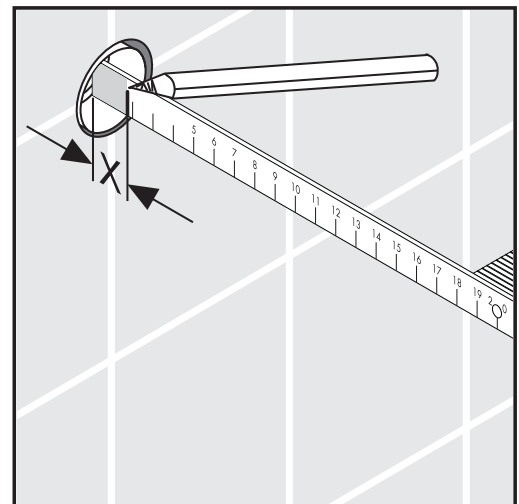


Install the slip couplings (1).

Cut the slip couplings so that they extend $1 \frac{5}{16}$ " outside the surface of the wall (2).

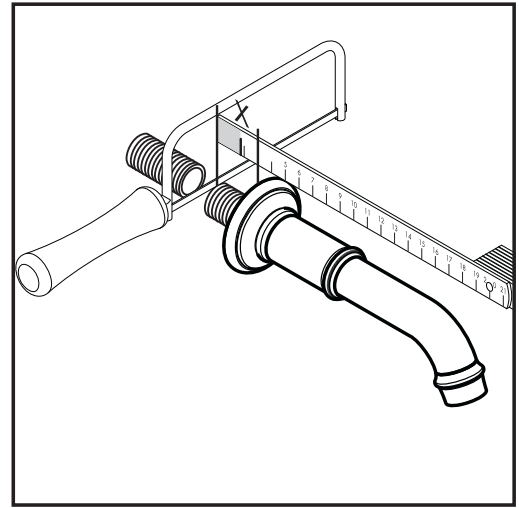


Measure the distance between the front of the spout housing and the surface of the wall. Record this measurement ("x").



Add $9/16$ " to X. Record this measurement.

Cut the threaded end of the spout so that it extends $9/16$ " + X from the rear of the flange.



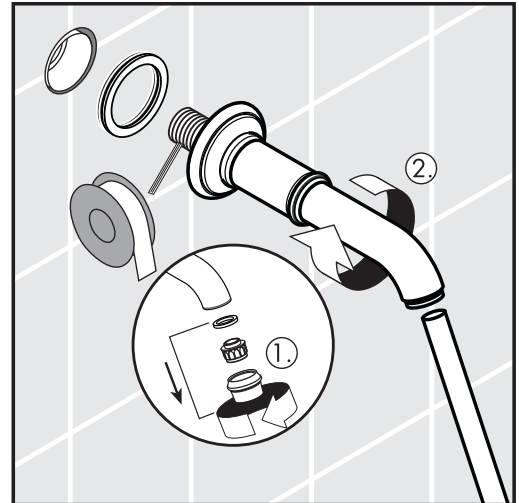
Remove the aerator (1).

Wrap the threads on the spout with Teflon tape.

Install the sealing ring and spout. Use a rod or dowel inserted into the end of the spout to assist in tightening it (2).



Do not overtighten the spout, or damage may result.



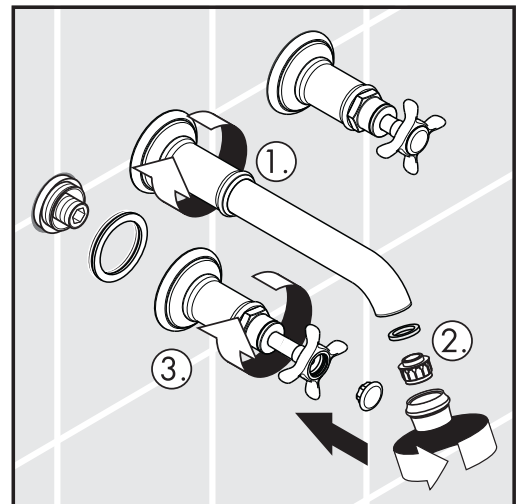
Tighten the spout flange against the wall (1).

Install the aerator (2).

Push the sealing ring and handle over the rough.

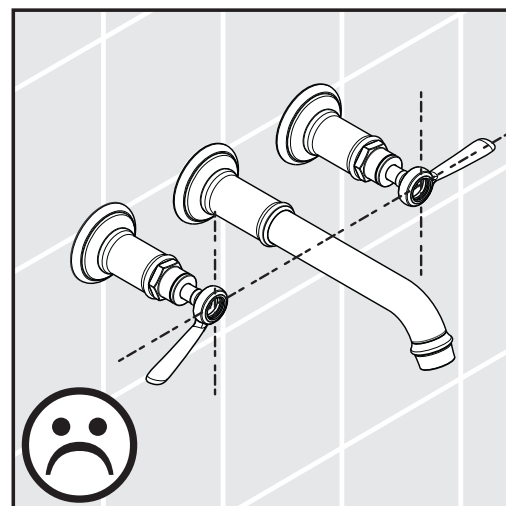
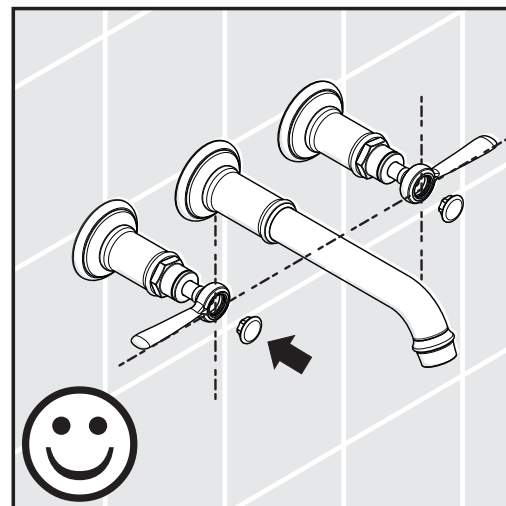
Rotate the handle flange clockwise, so that it threads down over the extension spindle (3).

Model 16532XX1 only: Install the screw covers.



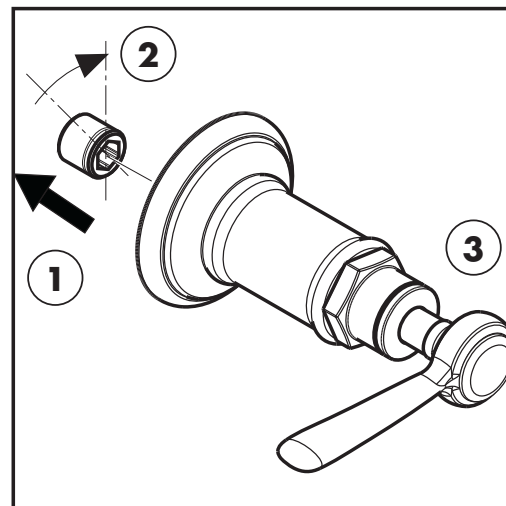
Model 16534XX1 only:

Both levers should be parallel to the floor.



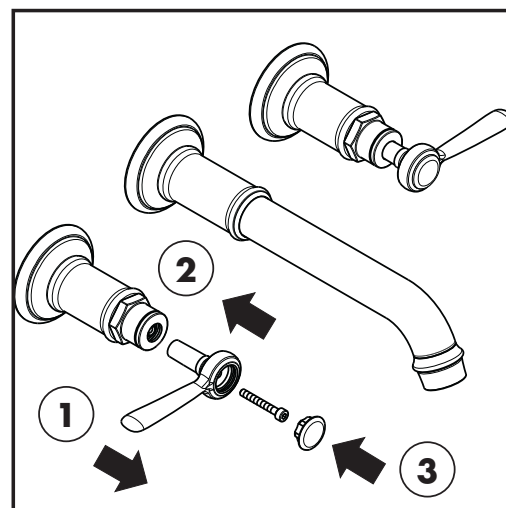
If one is not, remove the slip coupling (1), turn it slightly (2), and reinstall it.

Install the screw covers (3).



It is also possible to remove the lever, turn it slightly, and reinstall it.

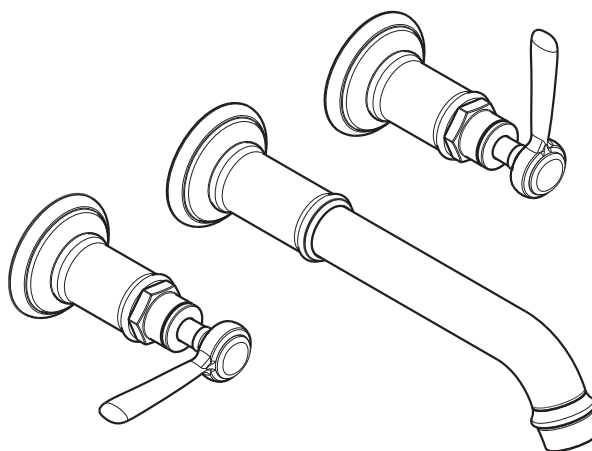
Install the screw covers (3).



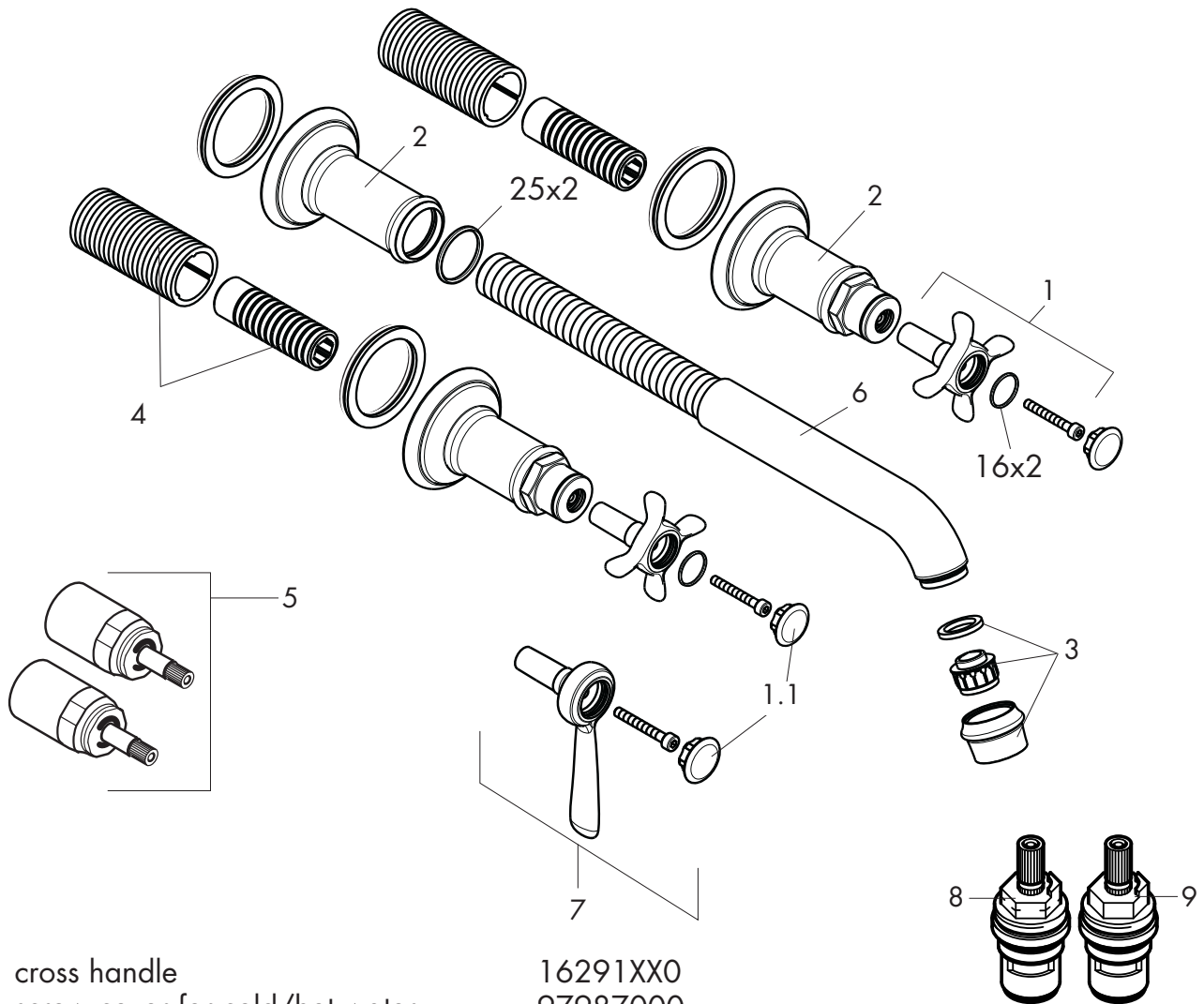
User Instructions

Turn the handle upward to turn the water on – clockwise for hot, counter-clockwise for cold. Turn the handle downward to turn the water off.

In the off position, the handles should be parallel to the floor.



Replacement Parts



1	cross handle	16291XX0
1.1	screw cover for cold/hot water	97987000
2	flange for handle	98578XX0
	flange for spout	98576XX0
3	aerator cpl.	98583XX0
4	fixing set	96392000
5	extension kit, 1" (optional)	96259000
6	spout	98574XX0
7	lever handle	16991XX0
8	hot cartridge (16534XX1 only)	96351000
9	cold cartridge (16534XX1 only)	96350000

XX = Colors
 00 chrome
 82 brushed nickel
 83 polished nickel

Cleaning Recommendation for Hansgrohe Products

Modern lavatory faucets, kitchen faucets, and showers consist of very different materials to comply with the needs of the market with regard to design and functionality. To avoid damage and returns, it is necessary to consider certain criteria when cleaning.

Cleaning Materials for Faucets and Showers

Acids are a necessary ingredient of cleaning materials for removing lime, however please pay attention to the following points when cleaning faucets and showers:

- Only use cleaning materials which are explicitly intended for this type of application.
- Never use cleaning materials which contain hydrochloric, formic, phosphoric, or acetic acid, as they cause considerable damage.
- Never mix one cleaning material with another.
- Never use cleaning materials or appliances with an abrasive effect, such as unsuitable cleaning powders, sponge pads, or micro fiber cloths.

Cleaning Instructions for Faucets and Showers

Please follow the cleaning material manufacturer's instructions. In addition, pay attention to the following points:

- Clean the faucets and showers as and when required
- Use the amount of cleaning product and the amount of time recommended by the manufacturer. Do not leave the cleaner on the fixture longer than necessary.
- Regular cleaning can prevent calcification.
- When using spray cleaners, spray first onto a soft cloth or sponge. Never spray directly onto the faucet as droplets can enter openings and gaps and cause damage.
- After cleaning, rinse thoroughly with clean water to remove any cleaner residue.

Important

Residues of liquid soaps, shampoos, and shower foams can also cause damage, so rinse with clean water after using.

Please note: if the surface is already damaged, the effect of cleaning materials will cause further damage.

Components with damaged surfaces must be replaced or injury could result.

Damage caused by improper treatment is not covered under the warranty.

Limited Lifetime Consumer Warranty

This product has been manufactured and tested to the highest quality standards by Hansgrohe, Inc. ("Hansgrohe"). This warranty is limited to Hansgrohe products which are purchased by a consumer in the United States after March 1, 1996, and installed in either the United States or Canada.

WHO IS COVERED BY THE WARRANTY

This warranty extends to the original consumer purchaser only. This warranty is non-transferable.

WHAT IS COVERED BY THE WARRANTY

This warranty covers only your Hansgrohe manufactured product. Hansgrohe warrants this product against defects in material or workmanship as follows: Hansgrohe will repair at no charge for parts only or, at its option, replace any product or part of the product that proves defective because of improper workmanship and/or material, under normal installation, use, service and maintenance. If Hansgrohe is unable to provide a replacement and repair is not practical or cannot be timely made, Hansgrohe may elect to refund the purchase price in exchange for the return of the product.

LENGTH OF WARRANTY

Replacement or repaired parts of products will be covered for the term of this warranty as stated in the following two sentences. If you are a consumer who purchased the product for use primarily for personal, family, or household purposes, this warranty extends for as long as you own the product and the home in which the product is originally installed. If you purchased the product for use primarily for any other purpose, including, without limitation, a commercial purpose, this warranty extends only (i) for 1 year, with respect to Hansgrohe and Commercial products, and (ii) for 5 years, with respect to AXOR products.

THIS WARRANTY DOES NOT COVER, AND HANSGROHE WILL NOT PAY FOR:

- A. Conditions, malfunctions or damage not resulting from defects in material or workmanship.
- B. Conditions, malfunctions or damage resulting from (1) normal wear and tear, improper installation, improper maintenance, misuse, abuse, negligence, accident or alteration, or (2) the use of abrasive or caustic cleaning agents or "no-rinse" cleaning products, or the use of the product in any manner contrary to the product instructions. (3) Conditions in the home such as excessive water pressure or corrosion.
- C. Labor or other expenses for the disconnection, deinstallation, or return of the product for warranty service, or for installation or reinstallation of the product (including but not limited to proper packaging and shipping costs), or for installation or reinstallation of the product.
- D. Accessories, connected materials and products, or related products not manufactured by Hansgrohe.

TO OBTAIN WARRANTY PARTS OR INFORMATION

Contact your Hansgrohe retailer, or contact Technical Service at:

Hansgrohe Inc.
1492 Bluegrass Lakes Parkway
Alpharetta GA 30004
Toll-free (800) 334-0455.

In requesting warranty service, you will need to provide

1. The sales receipt or other evidence of the date and place of purchase.
2. A description of the problem.
3. Delivery of the product or the defective part, postage prepaid and carefully packed and insured, to Hansgrohe Inc. 1492 Bluegrass Lakes Parkway, Alpharetta, Georgia 30004, Attention: Technical Service, if required by Hansgrohe.

When warranty service is completed, any repaired or replacement product or part will be returned to you postage prepaid.

EXCLUSIONS AND LIMITATIONS

REPAIR OR REPLACEMENT (OR, IN LIMITED CIRCUMSTANCES, REFUND OF THE PURCHASE PRICE) AS PROVIDED UNDER THIS WARRANTY IS THE EXCLUSIVE REMEDY OF THE PURCHASER. HANSGROHE NEITHER ASSUMES NOR AUTHORIZES ANY PERSON TO CREATE FOR IT ANY OBLIGATION OR LIABILITY IN CONNECTION WITH THIS PRODUCT.

HANSGROHE SHALL NOT BE LIABLE TO PURCHASER OR ANY PERSON FOR ANY INCIDENTAL, SPECIAL, OR CONSEQUENTIAL DAMAGES, ARISING OUT OF BREACH OF THIS WARRANTY OR ANY IMPLIED WARRANTY (INCLUDING MERCHANTABILITY).

Some States do not allow the exclusion or limitation of incidental or consequential damages, so the above limitation or exclusion may not apply to you. This warranty gives you specific legal rights, and you may have other rights which vary from State to State. You may be required by law to give us a reasonable opportunity to correct or cure any failure to comply before you can bring any action in court against us under the Magnuson-Moss Warranty Act.

PRODUCT INSTRUCTIONS AND QUESTIONS

Upon purchase or prior to installation, please carefully inspect your Hansgrohe product for any damage or visible defect. Prior to installing, always carefully study the enclosed instructions on the proper installation and the care and maintenance of the product. If you have questions at any time about the use, installation, or performance of your Hansgrohe product, or this warranty, please call or write to us or call us toll-free at 800 334 0455.

hansgrohe

Hansgrohe, Inc. • 1490 Bluegrass Lakes Parkway • Alpharetta, GA 30004
Tel. 770-360-9880 • Fax 770-360-9887

www.hansgrohe-usa.com