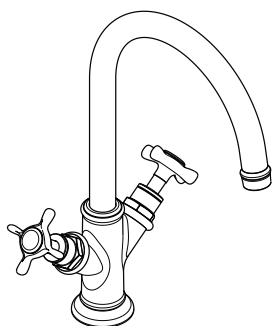
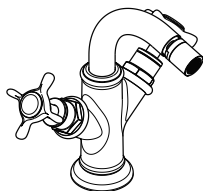


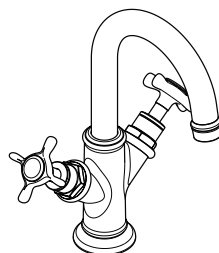
Installation Instructions / Warranty



Montreux
16502XX1
16506XX1



Montreux
16520XX1



Montreux
16505XX1

AXOR[®]

hansgrohe

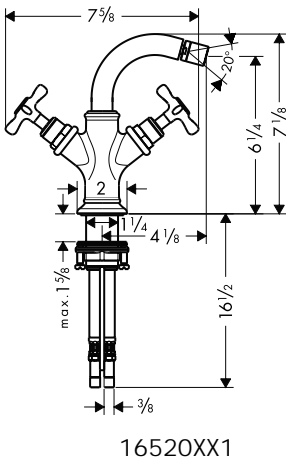
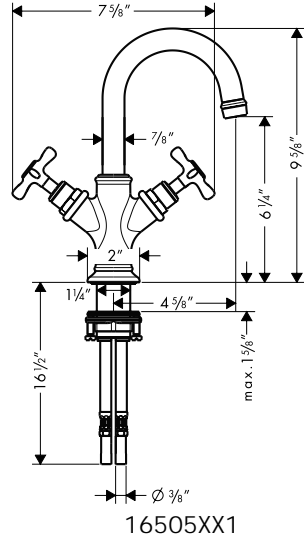
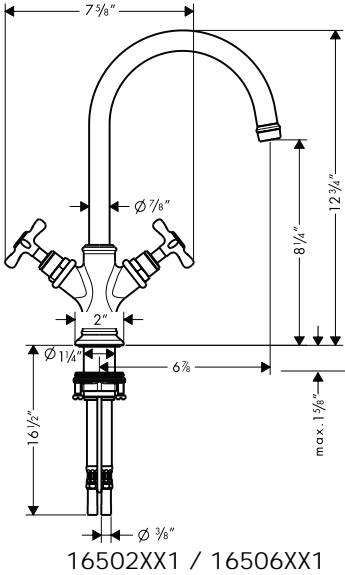
Montreux

Single-hole Lavatory Faucet 16502XX1

Single hole Lavatory Faucet without Drain 16506XX1

Single-hole Small Lavatory Faucet 16505XX1

Single-hole Bidet Faucet 16520XX1

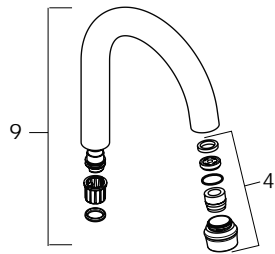
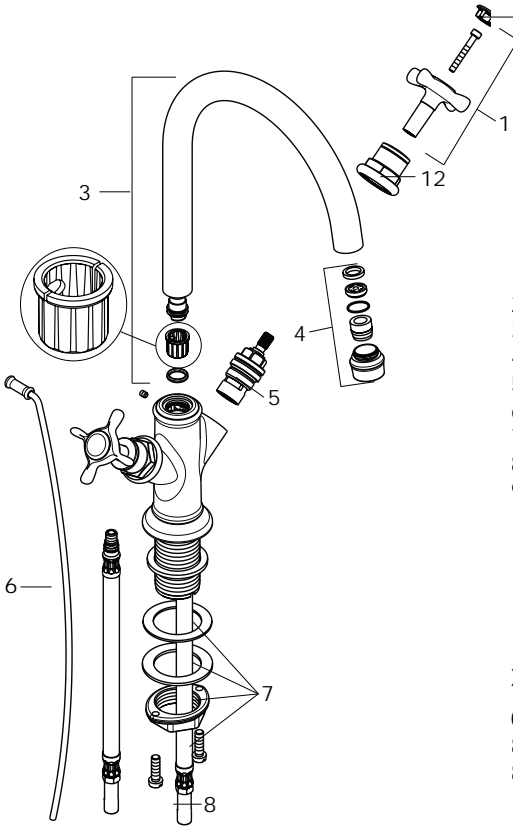


Technical Data

Maximum Flow Rate	2.2 gpm
Maximum incoming water pressure	145 psi
Recommended incoming water pressure	14.5 psi - 72 psi
Hot water temperature:	max. 176° F*
Recommended hot water temperature:	120°F - 140°F*
Hole size in mounting surface	1 3/8"
Maximum mounting surface depth	1 5/8"
The supply hoses included with this faucet require supply stops with 3/8" compression fittings (not included).	

* Know and follow all applicable local plumbing codes when setting the temperature on the water heater.

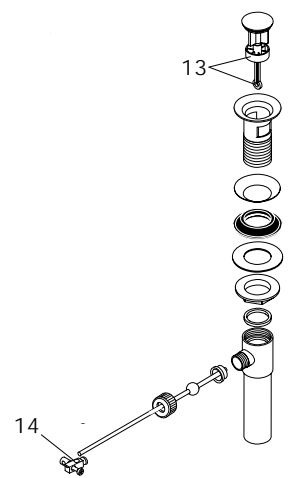
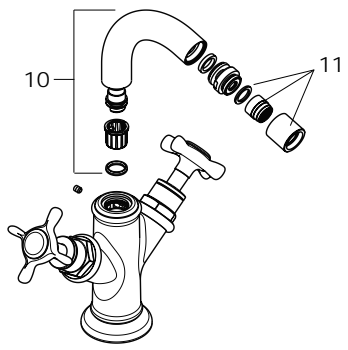
Replacement Parts

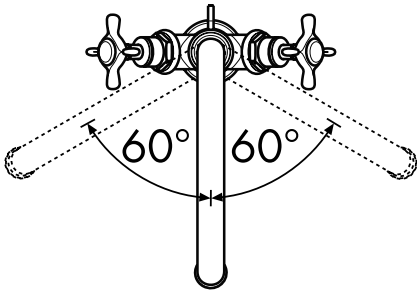


- | | | |
|----|--------------------------|----------|
| 1 | handle | 16291XXX |
| 2 | screw cover, cold/ hot | 97987000 |
| 3 | spout large model | 97990XXX |
| 4 | aerator cpl. | 97991XXX |
| 5 | shut off unit | 94009000 |
| 6 | pull rod | 96657000 |
| 7 | fixation set | 13961000 |
| 8 | connection hose | 96321001 |
| 9 | spout small model | 97992XXX |
| 10 | spout for bidet | 97364XXX |
| 11 | aerator cpl. | 97360XXX |
| 12 | sleeve | 97993XXX |
| 13 | height adjuster & filter | 97592000 |
| 14 | swivel connector | 96100000 |

XXX = Colors

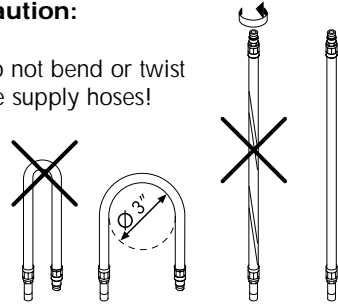
- 001 chrome plated
- 821 brushed nickel
- 831 polished nickel





Caution:

Do not bend or twist the supply hoses!

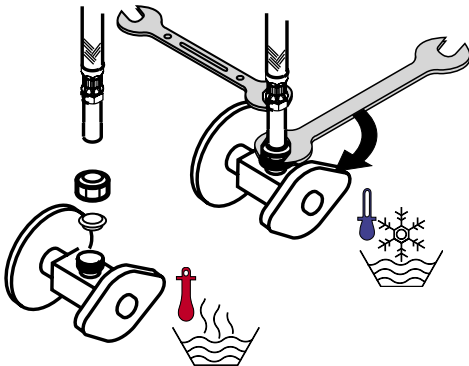
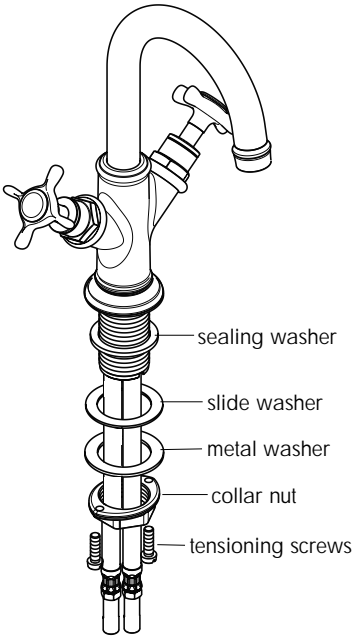


Installation

Flush the hot and cold supplies thoroughly before installing this faucet. Damage to the cartridges due to debris is not covered by the Hansgrohe limited lifetime warranty.

Place the faucet and the sealing washer in position on the basin / bidet.

Slip the slide washer, metal washer and collar nut over the threaded base and tighten the collar nut by hand.



Tighten the tensioning screws.

Connect the supply hoses to the stops with 3/8" compression fittings (not included).

Install the pop-up drain (not included with model 16506XX1).

Turn on the water and check all connections for leaks.

Install the pop-up drain

Remove the plunger assembly.

Unscrew the drain outlet flange from the tee.

Unscrew the tailpiece from the tee. Wrap the threads with Teflon™ thread tape and replace.

Install the white, flexible sealing gasket to the flange. Place it in the sink outlet.

From under the sink, install the black mack gasket, white friction ring, and retainer nut to the flange. Do not tighten the nut against the bottom of the sink at this time.

Thread the tee and tailpiece to the flange. The pivot must face the faucet. If necessary, turn the drain assembly.

Tighten the retainer nut.

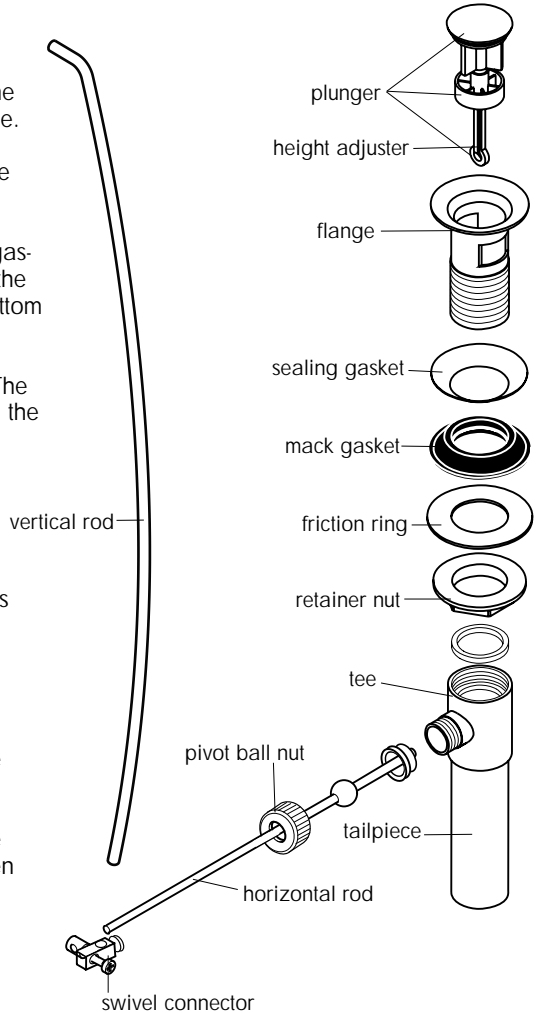
Place the plunger assembly in the drain.

Install the horizontal rod so that the end goes through the loop in the bottom of the height adjuster.

Install and hand tighten the pivot ball nut.

Attach the swivel connector to the end of the horizontal rod.

Attach the swivel connector to the end of the vertical rod. Position as desired, and tighten with a small, flathead screwdriver.



Cleaning Recommendation for Hansgrohe Products

Modern faucetry and shower products utilize a combination of materials to comply with the needs of the market with regard to design and functionality.

To avoid damage, it is necessary to use some caution when cleaning. Damage caused by improper treatment is not covered under the Hansgrohe warranty.

Cleaning Materials for Faucets and Showers

- To remove lime scale, use only products made specifically for that purpose. Always follow the manufacturer's instructions when using.
- Do not use cleaners that contain hydrochloric, formic, acetic, or phosphoric acids, as these will cause considerable damage to finishes and to plastic components.
- Never mix cleaning materials.
- Never use cleaners containing abrasives. Do not use abrasive cleaning cloths, pads, or sponges.

Cleaning Procedures

- Clean your faucets and shower products as and when required. Regular cleaning will prevent scale buildup and water spotting.
- Follow the label instructions. Do not allow any cleaner to remain on the product for longer than necessary.
- When using spray cleaners, spray first onto a sponge or cloth – do not spray directly onto the product.
- After cleaning, rinse thoroughly with clear water to remove any cleaner residue.

Important

- Soap and shampoo residue can also cause damage to the product. Rinse well with clean water after use.
- If the surface is already damaged, harsh cleaning materials will cause further damage.

Limited Lifetime Consumer Warranty

This product has been manufactured and tested to the highest quality standards by Hansgrohe, Inc. ("Hansgrohe"). This warranty is limited to Hansgrohe products which are purchased by a consumer in the United States after March 1, 1996, and installed in either the United States or Canada.

WHO IS COVERED BY THE WARRANTY

This warranty extends to the original consumer purchaser only.

WHAT IS COVERED BY THE WARRANTY

This warranty covers only your Hansgrohe manufactured product. Hansgrohe warrants this product against defects in material or workmanship as follows: Hansgrohe will repair at no charge for parts only or, at its option, replace any product or part of the product which proves defective because of improper workmanship and/or material, under normal installation, use, service and maintenance. If Hansgrohe is unable to provide a replacement and repair is not practical or cannot be timely made, Hansgrohe may elect to refund the purchase price in exchange for the return of the product.

LENGTH OF WARRANTY

Replacement or repaired parts of products will be covered for the term of this warranty as stated in the following two sentences. If you are a consumer who purchased the product for use primarily for personal, family, or household purposes, this warranty extends for as long as you own the product and the home in which the product is installed. If you purchased the product for use primarily for any other purpose, including, without limitation, a commercial purpose, this warranty extends only (i) for 1 year, with respect to Interaktiv and Retroaktiv products, and (ii) for 5 years, with respect to AXOR, ShowerPower and Pharo products.

THIS WARRANTY DOES NOT COVER, AND HANSGROHE WILL NOT PAY FOR:

- A. Conditions, malfunctions or damage not resulting from defects in material or workmanship.
- B. Conditions, malfunctions or damage resulting from (1) improper installation, improper maintenance, misuse, abuse, negligence, accident or alteration, or (2) the use of abrasive or caustic cleaning agents or "no rinse" cleaning products, or the use of the product in any manner contrary to the product instructions.
- C. Labor or other expenses for the disconnection or return of the product for warranty service, or for installation or reinstallation of the product.
- D. Accessories or related products not manufactured by Hansgrohe.

TO OBTAIN WARRANTY SERVICE

Contact your Hansgrohe retailer, or write to Technical Service at:

Hansgrohe Inc.
1492 Bluegrass Lakes Parkway
Alpharetta GA 30004

Or, call Hansgrohe toll-free at (800) 334-0455.

In requesting warranty service, you will need to provide

- 1. The sales receipt or other evidence of the date and place of purchase.
- 2. A description of the problem.
- 3. Delivery of the product or the defective part, postage prepaid and carefully packed and insured, to Hansgrohe Inc. 1492 Bluegrass Lakes Parkway, Alpharetta, Georgia 30004, Attention: Technical Service, if required by Hansgrohe.

When warranty service is completed, any repaired or replacement product or part will be returned to you postage prepaid.

EXCLUSIONS AND LIMITATIONS

REPAIR OR REPLACEMENT (OR, IN LIMITED CIRCUMSTANCES, REFUND OF THE PURCHASE PRICE) AS PROVIDED UNDER THIS WARRANTY IS THE EXCLUSIVE REMEDY OF THE PURCHASER. HANSGROHE NEITHER ASSUMES NOR AUTHORIZES ANY PERSON TO CREATE FOR IT ANY OBLIGATION OR LIABILITY IN CONNECTION WITH THIS PRODUCT.

HANSGROHE SHALL NOT BE LIABLE TO PURCHASER OR ANY PERSON FOR ANY INCIDENTAL, SPECIAL, OR CONSEQUENTIAL DAMAGES, ARISING OUT OF BREACH OF THIS WARRANTY OR ANY IMPLIED WARRANTY (INCLUDING MERCHANTABILITY).

Some States do not allow the exclusion or limitation of incidental or consequential damages, so the above limitation or exclusion may not apply to you.

This warranty gives you specific legal rights, and you may have other rights which vary from State to State.

You may be required by law to give us a reasonable opportunity to correct or cure any failure to comply before you can bring any action in court against us under the Magnuson-Moss Warranty Act.

PRODUCT INSTRUCTIONS AND QUESTIONS

Upon purchase or prior to installation, please carefully inspect your Hansgrohe product for any damage or visible defect. Prior to installing, always carefully study the enclosed instructions on the proper installation and the care and maintenance of the product. If you have questions at any time about the use, installation, or performance of your Hansgrohe product, or this warranty, please call or write to us at the toll-free number and address printed above.

hansgrohe

Hansgrohe, Inc. • 1490 Bluegrass Lakes Parkway • Alpharetta, GA 30004
Tel. 770 360-9880 • Fax 770 360 9887

www.hansgrohe-USA.com