

 **AOG**  
AMERICAN OUTDOOR GRILL



CRAFTED WITH PRIDE  IN THE USA



Special moments, like a family barbecue or a celebration with friends and neighbors, are made even more so with the American Outdoor Grill.

**Backyard Perfection.**



Designed and manufactured by the company that brings you Fire Magic® Premium Grills, AOG grills add style and cooking excellence to your outdoor kitchen

American Outdoor Grills are made with a stylish sleek appearance. The rounded hood and contoured face feature a satin finish that enhances any outdoor kitchen. The AOG grill is constructed from the finest commercial-grade stainless steel and features a large cooking surface with stainless steel rod cooking grids and sleek analog thermometer for precision grilling. With its recessed backburner, warming rack, spit rod and motor, and a side burner, the American Outdoor Grill allows you to create your entire meal without leaving the grill.

*Whether Built-In or Portable, you'll be delighted with the performance and appearance of your American Outdoor Grill*

## FEATURE HIGHLIGHTS



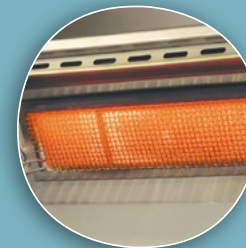
**PUSH BUTTON  
ELECTRONIC IGNITION**



**STAINLESS STEEL ROD  
COOKING GRIDS**



**VAPORIZER  
PANELS**



**BUILT-IN IR  
BACKBURNER**



**STAINLESS STEEL  
BURNERS**

- » Stainless steel rod cooking grids
- » Warming rack
- » Distinctively designed analog thermometer with polished bezel
- » Solid brass valves for precise temperature control and long life
- » Fully pre-assembled (except for side shelves on portables)
- » Flush mounted brass side burner on portable grills-12,000 BTU's
- » Heavy duty 304 stainless steel construction

- » Advanced high-quality 304 stainless steel burners
- » Stainless steel vaporizer panels for even heat distribution
- » Backburner and high performance rotisserie kit
- » Easy to handle 4 prong adjustable meat holder for rotisserie
- » Electronic push button ignition
- » Easy to use drip collection system
- » Crafted with pride in the USA





ADD THE  
ALL NEW  
GRILL LIGHT!  
MODEL: 3574

Model 24PC Shown

## PORTABLE COLLECTION

Outstanding cooking performance, durable construction and appealing design come together in the portable models of the American Outdoor Grill. These portable models (in 36", 30" and 24" sizes) feature a flush mounted 12,000 BTU's brass side burner, rotisserie backburner with high performance rotisserie kit, dual side shelves, four 2 1/2" gray castor wheels (2 rigid and 2 locking swivel), and ample storage area under the grill. Fully pre assembled (except for side shelves.)



### MODEL 36PC

<b>Primary Cooking Surface:</b>	648 sq. inches
<b>BTU's:</b>	48,000 Primary + 13,000 Backburner + 12,000 Side Burner



### MODEL 30PC

<b>Primary Cooking Surface:</b>	540 sq. inches
<b>BTU's:</b>	45,000 Primary + 10,000 Backburner + 12,000 Side Burner



### MODEL 24PC

<b>Primary Cooking Surface:</b>	432 sq. inches
<b>BTU's:</b>	32,000 Primary + 10,000 Backburner + 12,000 Side Burner

All models available in Natural or Propane gas. (Natural Gas change the "P" in model number to an "N")  
Models also available without backburner and sideburner (-00SP)

## BUILT-IN COLLECTION

Ideal for the outdoor kitchen, the American Outdoor Grill is designed and manufactured for long-lasting performance. Choose from three popular sizes (36", 30" and 24") depending upon your cooking needs. All models offer you a wide range of cooking options, from slow rotisserie cooking to high temperature searing. A selection of cooking accessories and storage access doors and drawers are available to complement your outdoor kitchen.



### MODEL 36NB

<b>Primary Cooking Surface:</b>	648 sq. inches
<b>BTU's:</b>	48,000 Primary + 13,000 Backburner
<b>Cutout:</b>	37" w x 19 1/2" d x 8 1/2" h



### MODEL 30NB

<b>Primary Cooking Surface:</b>	540 sq. inches
<b>BTU's:</b>	45,000 Primary + 10,000 Backburner
<b>Cutout:</b>	30 3/4" w x 19 1/2" d x 8 1/2" h



### MODEL 24NB

<b>Primary Cooking Surface:</b>	432 sq. inches
<b>BTU's:</b>	32,000 Primary + 10,000 Backburner
<b>Cutout:</b>	24 1/2" w x 19 1/2" d x 8 1/2" h

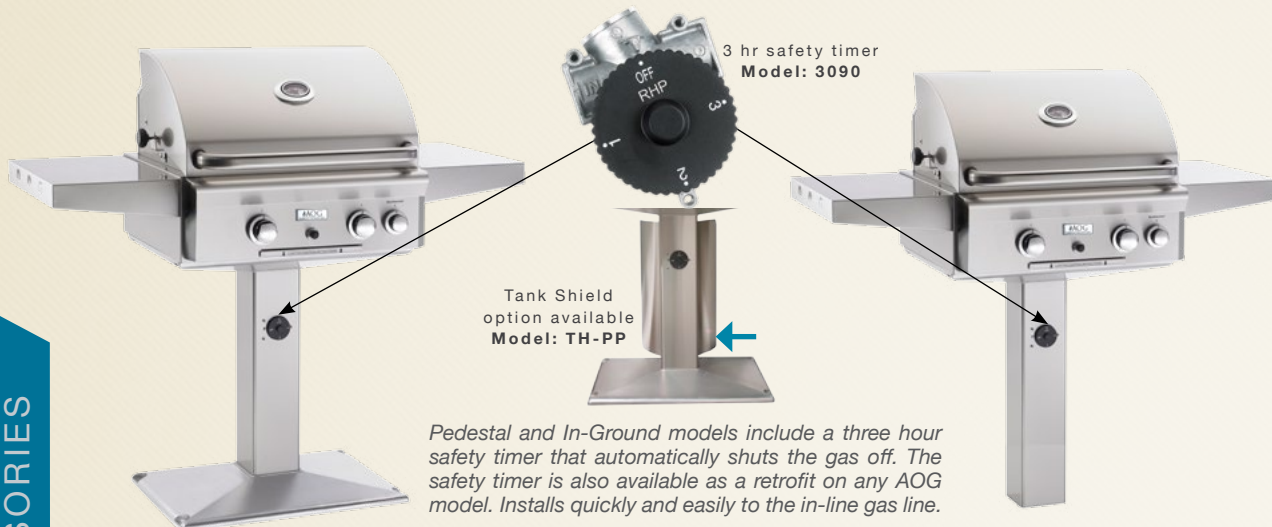
All models available in Natural Gas with Propane conversion kit included.  
Models also available without backburner and sideburner (-00SP)



Model 36NB (grill), 53938S (double door), & AD-36B (Trim Kit) Shown

## POST MODEL COLLECTION

Designed for condos, apartments, or anywhere space is at a premium. The American Outdoor Grill In-Ground and Patio Post Mount units pack a lot of grilling enjoyment into smaller spaces (432 square inches). The In-Ground Grill model must be cemented into the ground. Pedestal models may be bolted to a deck or concrete slab. Both feature a backburner, warming rack and dual side shelves standard. The optional stainless steel tank shield is designed to conceal the unsightly propane tank while a safety chain keeps the tank securely in place.



Pedestal and In-Ground models include a three hour safety timer that automatically shuts the gas off. The safety timer is also available as a retrofit on any AOG model. Installs quickly and easily to the in-line gas line.

### MODEL 24NP

**Primary Cooking Surface:** 432 sq. inches

**BTU's:** 32,000 Primary + 10,000 Backburner

### MODEL 24NG

**Primary Cooking Surface:** 432 sq. inches

**BTU's:** 32,000 Primary + 10,000 Backburner



### AOG REFRIGERATOR MODEL: REF-20

4.2 cubic foot. Interior light and, security lock and key. Reversible door hinge. When used outdoors, it must be installed in an enclosure.



### DOUBLE SIDE BURNER MODEL: 3282(P) CUT-OUT: 11½" w x 22¾" d x 8½" h

Enjoy precise flame control on each burner to prepare side dishes and sauces for your meal. Two 12,500 BTU's burners. Comes with stainless steel rod grid.



### SINGLE SIDE BURNER MODEL: 3283(P) CUT-OUT: 8¾" w x 14¼" L

Drops into any custom grill island. Sized for sauce and sauté pans. Cooking or reheating side dishes or sauces is quick and easy with a 15,000 BTU's burner.

Post Models available in Natural gas with Propane conversion kit included.  
Grill models also available without backburner and sideburner (-00SP)

## Additional AOG Accessories (not pictured)

Description	Model
24" Cover for Built-in	CB24-C
24" Cover for Portable	CC24-C
30" Cover for Built-in	CB30-C
30" Cover for Portable	CC30-C
36" Cover for Built-in	CB36-C
36" Cover for Portable	CC36-C
Infrared Burner	IRB-18
Portable propane to natural gas Conversion Kit	CK-1-NAT
Insulating Liner (Specify Size)**	24-IL, 30-IL, 36-IL
Adaptors for Grills*	AD-24B or AD-36B
Adaptor for Double Side Burner (for DC790)*	3282-AD
Rotisserie Kit	RK-24, RK-30, RK-36
Smoker Box	3561
Grill Light	3574
Grill Light Bracket (needed for -00SP model)	24-B-28

\* Required for Island Systems

\*\*Grill island cut-outs change when using insulating liner

## ISLAND SYSTEMS MODELS AVAILABLE:

DC790-CBR-108SM (pictured below) or DC430-CBR-75SM



- Includes a beautiful Smoke colored GFRC counter top
- DC790 measurements: 107" wide x 35" deep x 36" high
  - Requires 36NB grill + AD-36B, REF-20, Double Side Burner (3282) + 3282-AD, Front Double Access Door (53938S), and Side Panel Access Door (20-14-SSDR/DL or 20-14-SSDRV/DLV)
- DC430 measurements: 75" wide x 35" deep x 36" high
  - Requires 24NB grill + AD-24B, REF-20, Side Door 20-14-SSDR/DL or 20-14-SSDRV/DLV



**MASONRY DRAWER**  
**MODEL:** 13-31-SSD  
**CUT-OUT:** 13" x 31" x 20 1/2"



**DOUBLE ACCESS DOORS**  
**MODEL:** 20-30-SSD  
**CUT-OUT:** 21" x 30"



**DOUBLE DRAWER**  
**MODEL:** 16-15-DSSD  
**CUT-OUT:** 15 3/4" x 14 1/2" x 20 1/2"



**SINGLE ACCESS DOOR WITH TANK TRAY AND LOUVERS**  
**MODEL:** 20-14-SSDRV OR DLV  
**CUT-OUT:** 21" x 14 1/2" x 20 1/2"

## FEATURE HIGHLIGHTS

- Stainless steel tubular handles
- Double wall construction
- Cut-out is **height x width x depth**
- Most doors can be ordered for either right or left access



**SINGLE ACCESS DOOR**  
**MODEL:** 24-17-SSDR OR DL  
**CUT-OUT:** 25" x 17 1/2"



**SINGLE ACCESS DOOR**  
**MODEL:** 20-14-SSDR OR DL  
**CUT-OUT:** 21" x 14 1/2"



**SINGLE ACCESS DOOR**  
**MODEL:** 14-20-SSDR OR DL  
**CUT-OUT:** 15" x 20 1/2"



**SINGLE ACCESS DOOR**  
**MODEL:** 17-24-SSDR OR DL  
**CUT-OUT:** 18" x 24 1/2"



**DOUBLE ACCESS DOORS**  
**MODEL:** 20-30-SD  
**CUT-OUT:** 20 1/2" x 30"



**SINGLE ACCESS DOOR**  
**MODEL:** 17-24-SD  
**CUT-OUT:** 17 1/2" x 24 1/2"



**SINGLE ACCESS DOOR**  
**MODEL:** 14-20-SD  
**CUT-OUT:** 14 1/2" x 20 1/2"



**SINGLE ACCESS DOOR**  
**MODEL:** 12-18-SD  
**CUT-OUT:** 12 1/2" x 18 1/2"

## FEATURE HIGHLIGHTS

- Single Access Doors also available in black powder coat finish
- Commercial-grade Stainless Steel
- Cut-out is **height x width x depth**
- Black Slam latch handle
- Single wall construction
- Most economical door style
- Most doors are reversible for left or right access



**SINGLE ACCESS DOOR WITH LOUVERS**  
**MODEL:** 20-14-SDV  
**CUT-OUT:** 20 1/2" x 14 1/2"



**SINGLE ACCESS DOOR**  
**MODEL:** 24-17-SD  
**CUT-OUT:** 24 1/2" x 17 1/2"



**SINGLE ACCESS DOOR**  
**MODEL:** 20-14-SD  
**CUT-OUT:** 20 1/2" x 14 1/2"



**SINGLE ACCESS DOOR**  
**MODEL:** 18-12-SD  
**CUT-OUT:** 18 1/2" x 12 1/2"

## AMERICAN OUTDOOR GRILL WARRANTY HIGHLIGHTS

### FIFTEEN YEAR WARRANTY

AMERICAN OUTDOOR GRILL STAINLESS STEEL BURNERS ARE WARRANTED FOR FIFTEEN (15) YEARS

### TEN YEAR WARRANTY

ALL OTHER AMERICAN OUTDOOR GRILL PARTS (EXCLUDING IGNITION SYSTEMS, ACCESSORIES, AND VAPORIZER PANELS) ARE WARRANTED FOR TEN (10) YEARS.

### THREE YEAR WARRANTY

INFRARED BURNERS AND VAPORIZER PANELS ARE WARRANTED FOR THREE (3) YEARS.

### ONE YEAR WARRANTY

IGNITION SYSTEMS (EXCLUDING BATTERIES) AND ACCESSORIES (INCLUDING SIDE BURNERS, MOTORS, AND THERMOMETERS) ARE WARRANTED FOR ONE (1) YEAR.

*THE ROBERT H. PETERSON CO. RESERVES THE RIGHT TO AMEND PRODUCT SPECIFICATIONS WITHOUT PRIOR NOTICE.*