



# Laundry



Models Shown: ALW880QAW And ALE866SBW



ALW880QAW

## Washers

### BASE FEATURES

- Elustra™ Stainless Steel Tub
- Flex-Vane Agitator
- 3.3 Cu. Ft. Super Capacity Plus
- SteadySpin™ Balance System
- Tri-Wash™ System
- Easy-Access™ Opening
- Variable Water Levels
- Extra Rinse
- Fabric Softener Dispenser
- Bleach Dispenser
- Two-Speed, ½ Horsepower Motor
- Commercial Quality
- Strong Warranty
- Easy-Grip Knobs
- Color-Coded Controls

**Bolded items indicate step-up features.**



As an ENERGY STAR® Partner, Amana has determined that this product meets the ENERGY STAR® guidelines for energy efficiency.

### ALW432RA



- 9 Cycles, Including Regular, Permanent Press, Delicates
- 3 Water Temperature Selections

white

### ALW480DA



- 12 Cycles, Including Doublewash, Quick Wash, Soak
- 4 Water Temperature Selections

white bisque

### ALW540RA



- 12 Cycles, Including **Handwash I**, Soak
- 3 Water Temperature Selections

white bisque

### ALW880QA



- **Three-Speed Motor**
- **13 Cycles, Including Doublewash, Handwash II, Soak**
- 4 Water Temperature Selections
- **SofSound™ I Quiet Package**
- **710 RPM Spin Speed**

white bisque

### ALW895SA



- Three-Speed Motor
- 13 Cycles, Including Doublewash, Handwash II, Soak
- **6 Water Temperature Selections**
- **Automatic Temperature Control**
- **SofSound™ II Quiet Package**
- **710 RPM Spin Speed**
- **ENERGY STAR®-Compliant**

white bisque



ALE866SBW

## Dryers

### BASE FEATURES

- 7.15 Cu. Ft. Super Capacity Plus Cylinder
- FabriCare™ System With QuikDry™ Feature (220 CFM Airflow)
- ½ Horsepower Motor
- Commercial Quality
- Strong Warranty
- Easy-Grip Knobs
- Color-Coded Controls

**Bolded items indicate step-up features.**

### ALE/ALG230RA



- 6 Cycles
- 3 Temperature Selections
- White Powder-Coated Cylinder

white

### ALE/ALG331RA



- **7 Cycles With Wrinkle Out**
- 3 Temperature Selections
- **Adjustable Signal**
- White Powder-Coated Cylinder

white bisque

### ALE/ALG443RA



- 7 Cycles With Wrinkle Out
- **Extended Tumble**
- **4 Temperature Selections**
- Adjustable Signal
- **Drum Light**
- White Powder-Coated Cylinder

white bisque

### ALE/ALG643RB



- **Elustra™ Stainless Steel Cylinder**
- 7 Cycles With Wrinkle Out
- Extended Tumble
- 4 Temperature Selections
- Adjustable Signal
- Drum Light

white bisque

### ALE/ALG866SB



- Elustra™ Stainless Steel Cylinder
- **8 Cycles With Wrinkle Out**
- Extended Tumble
- **Variable Temperature Selections**
- **Moisture Sensor**
- **Premium Chime End-Of-Cycle Signal**
- Drum Light
- **Drying Rack**

white bisque

For additional feature information, see specification charts on pages 56 and 57.



DLW330RAW And DLE330RAW

## Amana® Distinctions™ Washers

### BASE FEATURES

- 3.3 Cu. Ft. Super Capacity Plus
- Straight-Flex Agitator
- Fabric Softener Dispenser
- Bleach Dispenser
- Two-Speed Motor
- Easy-Grip Knobs

## Amana® Distinctions™ Dryers

### BASE FEATURES

- 7.0 Cu. Ft. Super Capacity Plus
- FabriCare™ System
- Easy-Grip Knobs

**Bolded items indicate step-up features.**

### DLW231RA



- **8 Cycle Selections**
- 3 Water Temperatures
- 4 Water Levels
- Extra Rinse
- Polymer Tub

white

### DLW330RA



- **Elustra™ Stainless Steel Tub**
- **Flex-Vane Agitator**
- 7 Cycles
- 3 Water Temperatures
- 3 Water Levels

white

### DLE/DLG231RA



- **7 Cycle Selections With Wrinkle Out**
- 3 Temperatures
- Extended Tumble
- White Powder-Coated Cylinder

white

### DLE/DLG330RA



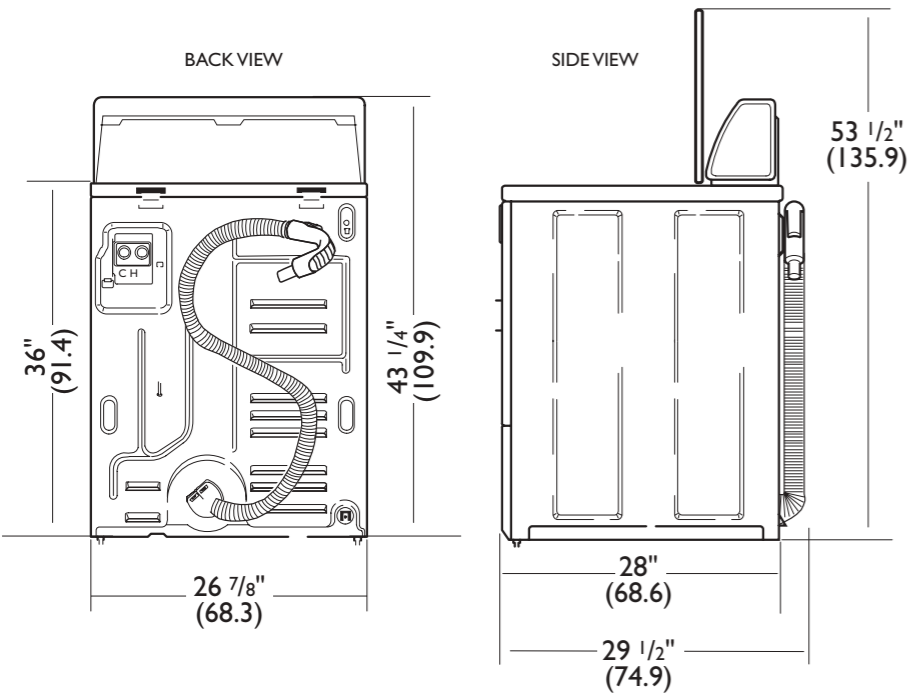
- **7.15 Cu. Ft. Super Capacity Plus**
- **FabriCare™ System With QuikDry™ Feature (220 CFM Airflow)**
- 7 Cycle Selections With Wrinkle Out
- 3 Temperatures
- **End-Of-Cycle Signal**
- White Powder-Coated Cylinder

white

For additional feature information, see specification charts on page 58.

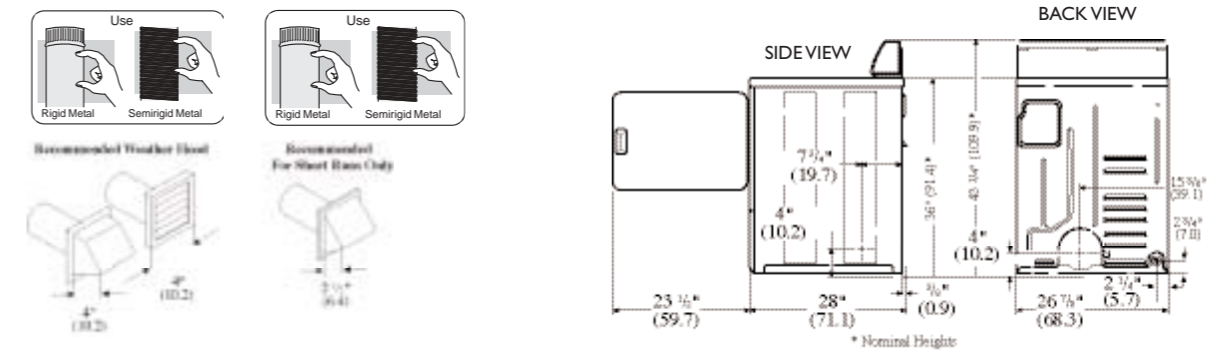
**WASHER EXTERIOR DIMENSIONS — IN. (CM)**

MODEL NUMBER	ALW432RA/ALW480DA/ ALW540RA/ALW880QA/ALW895SA/DLW330RA
Height — Overall	43 1/4" (109.9)
Height Of Cabinet	36 (91.4)
Width	26 7/8" (68.3)
Depth — Including Drain Hose	29 1/2" (74.9)
Clearance — Washer Lid	17 1/2" (44.5)
Approximate Shipping Weight — lbs. (kg)	193 (86.9)



**DRYER EXTERIOR DIMENSIONS — IN. (CM)**

MODEL NUMBER	ALE/ALG230RA, ALE/ALG331RA, ALE/ALG443RA ALE/ALG643RB, ALE/ALG866SB, DLE/DLG330RA
Height — Overall	43 1/4" (109.9)
Height	36 (91.4)
Width	26 7/8" (68.3)
Depth*	28 (71.1)
Clearance — Dryer Door	23 1/2" (59.7)
Approximate Shipping Weight — lbs. (kg)	145 (65.3)

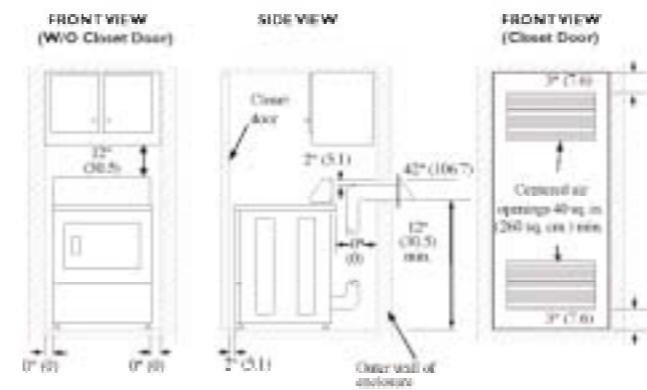


**INSTALLATION INFORMATION — FT. (METERS)**

MODEL NUMBER	ALE/ALG230RA, ALE/ALG331RA, ALE/ALG443RA, ALE/ALG643RB, ALE/ALG866SB, DLE/DLG330RA	
	MAXIMUM RIGID METAL DUCT	
Number Of 90° Elbows	Weather Hood 4" Opening	Weather Hood 2 1/2" Opening
	0	44 (13.3)
1	34 (10.3)	26 (7.9)
2	26 (7.9)	20 (6.1)
3	20 (6.1)	14 (4.2)

NOTE: Deduct 6' (1.8) for each additional elbow.

**CLOSET INSTALLATION**



Refer to installation instructions packaged with unit or consult your local Amana representative before making any cutouts or final designs.

**INSTALLATION INFORMATION — IN. (CM)**

MODEL NUMBER	ALW432RA/ALW480DA/ ALW540RA/ALW880QA/ALW895SA/DLW330RA
Power Cord Length	69 (175.3)
Electrical Requirements	120 volts/15 amps/60 Hz Three-Prong Grounding Plug
Supply Hose Length	48 (121.9)
Drain Hose Length	54 (137.2)
Drain Hose Diameter	1 1/4" (3.2)
Minimum Drain Receptacle Height	36 (91.4)

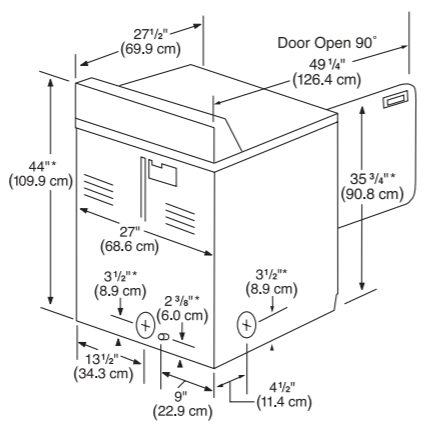
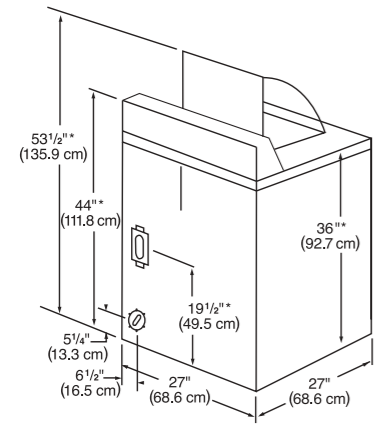
Refer to installation instructions packaged with unit or consult your local Amana representative before making any cutouts or final designs.

**WASHER EXTERIOR DIMENSIONS — IN. (CM)**      **DRYER EXTERIOR DIMENSIONS — IN. (CM)**

MODEL NUMBER	DLW231RA
Height — Overall	44 (111.8)
Height Of Cabinet	36 (91.4)
Width	27 (68.6)
Depth — Including Drain Hose	30 (76.2)
Clearance — Washer Lid	17 (43.2)
Approximate Shipping Weight — lbs. (kg)	156 (70.2)

MODEL NUMBER	DLE/DLG231RA
Height — Overall	44 (111.8)
Height Of Cabinet	36 (91.4)
Width	27 (68.6)
Depth <sup>i</sup>	27 (68.6)
Clearance — Dryer Door	22 1/4 (56.5)
Approximate Shipping Weight — lbs. (kg)	120 (54.0)

<sup>i</sup>Does not include clearance for ductwork venting.



\*Dimensions will vary according to adjustment of leveling legs.

**WASHER INSTALLATION INFORMATION — IN. (CM)**

MODEL NUMBER	DLW231RA
Power Cord Length	64 (162.6)
Electrical Requirements	120 volts/15 amps/60 Hz Three-Prong Grounding Plug
Supply Hose Length	48 (121.9)
Drain Hose Length	54 (137.2)
Drain Hose Diameter	1 1/8 (2.9)
Minimum Drain Receptacle Height	32 (81.3)

**DRYER INSTALLATION INFORMATION — FT. (METERS)**

MODEL NUMBER	DLE/DLG231RA		Refer to installation instructions packaged with unit or consult your local Amana representative before making any cutouts or final designs.
	MAXIMUM RIGID METAL DUCT		
Number Of 90° Elbows	Weather Hood 4" Opening	Weather Hood 2 1/2" Opening	
0	45 (13.6)	30 (9.1)	
1	35 (10.6)	20 (6.1)	
2	25 (7.6)	10 (3.0)	