

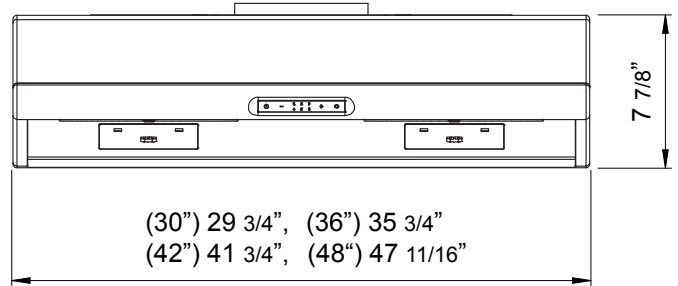
One of our founding models, now with an updated look, we crafted a smooth curvature then upped the volume with powerful, virtually noise-free 850-CFM blowers. A convenient self-cleaning system along with dimmable halogen

lights invite you and your guests to a warm respite from the everyday. Available in black, white and stainless steel. Now with Quiet Speed Setting (QSS) and ACT™ technology.

ACT™

Min. - Max. CFM	INTERNAL BLOWER STANDARD	INTERNAL BLOWER with ACT™ AIRFLOW CONTROL TECHNOLOGY™*	
		250 - 850	250 - 390
Min. - Max. Sones	0.9 - 5	0.9 - 2.5	0.9 - 1.5

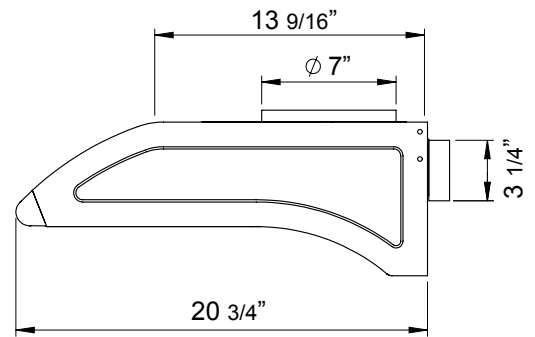
*AIRFLOW CONTROL TECHNOLOGY™ (ACT™) is an exclusive feature built into specific Zephyr hoods which can limit the maximum blower CFM to meet local code requirements.



Front



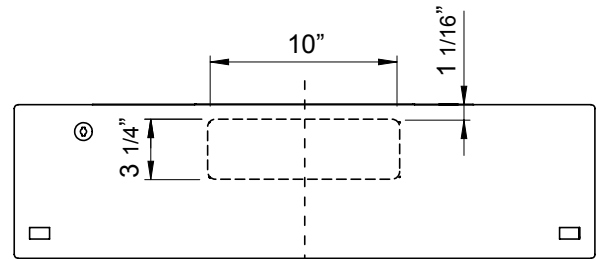
Stainless Steel



Side



Black



C/L

Back



White

MODEL	AK2100BB	AK2136BB		
Black	AK2100BB	AK2136BW		
White	AK2100BW	AK2136BS		
Stainless Steel	AK2100BS	AK2136BS	AK2142BS	AK2148BS
Size	30" (29-3/4")	36" (35-3/4")	42" (41-3/4")	48" (47-11/16")
Blower CFM (Min. - Max.)	250 - 850	250 - 850	250 - 850	250 - 850
Sones (Min. - Max.)	0.9 - 5	0.9 - 5	0.9 - 5	0.9 - 5
ACT 390 CFM (Min. - Max.)	250 - 390	250 - 390	250 - 390	250 - 390
ACT 390 Sones (Min. - Max.)	0.9 - 2.5	0.9 - 2.5	0.9 - 2.5	0.9 - 2.5
ACT 290 CFM (Min. - Max.)	250 - 290	250 - 290	250 - 290	250 - 290
ACT 290 Sones (Min. - Max.)	0.9 - 1.5	0.9 - 1.5	0.9 - 1.5	0.9 - 1.5
FEATURES				
ACT™ Technology	Yes	Yes	Yes	Yes
Controls	Capacitive Touch	Capacitive Touch	Capacitive Touch	Capacitive Touch
Speed Levels	6*	6*	6*	6*
Quiet Speed Setting (QSS)	Yes	Yes	Yes	Yes
Auto Delay-Off	Yes	Yes	Yes	Yes
Lighting	Halogen, 35W x2	Halogen, 35W x2	Halogen, 35W x2	Halogen, 35W x2
Dual Level Lighting	Yes	Yes	Yes	Yes
Removable Safety Grilles	2	2	2	2
Recirculating Option	No	No	No	No
Self Cleaning	Yes	Yes	Yes	Yes
DUCT SPECIFICATIONS				
Vertical Internal Blower	7" Round or 3-1/4" x 10"	7" Round or 3-1/4" x 10"	7" Round or 3-1/4" x 10"	7" Round or 3-1/4" x 10"
Horizontal Internal Blower	3-1/4" x 10"	3-1/4" x 10"	3-1/4" x 10"	3-1/4" x 10"
AC POWER	120V, 60Hz at Max. 3A	120V, 60Hz at Max. 3A	120V, 60Hz at Max. 3A	120V, 60Hz at Max. 3A
OPTIONAL ACCESSORIES				
Make-Up Air Kit	MUA008A	MUA008A	MUA008A	MUA008A
MOUNTING HEIGHT RANGE**	24" - 32"	24" - 32"	24" - 32"	24" - 32"
WARRANTY	10 years parts, 1 year labor			

*When ACT is enabled the maximum speed levels will change. ACT 390 CFM = 3 speeds and ACT 290 CFM = 2 speeds.

**Mounting height refers to distance between top of a 36" tall cooking surface and bottom of hood.

ACT™ AIRFLOW CONTROL TECHNOLOGY™ (ACT™) is an exclusive feature built into specific Zephyr hoods which can limit the maximum blower CFM to meet local code requirements.

Specifications subject to change, check zephyronline.com for up-to-date information.
Zephyr Ventilation | 2277 Harbor Bay Parkway, Alameda, CA 94502 | 888.880.VENT

AUG15.0201



UNIVERSAL MAKE-UP AIR DAMPER

When range hoods exhaust air out of your home, negative air pressure is created unless the exhausted air is replaced by fresh outdoor air. Zephyr's Universal Make-Up Air Damper is designed to balance the air pressure in your home by automatically opening to allow fresh air in while the range hood is operating.

For use with any Zephyr hood operating over 300 CFM.

MODEL	DAMPER SIZE	CFM LEVEL <i>of range hood motor</i>
MUA006A	6" round	up to 600 CFM
MUA008A	8" round	up to 1,000 CFM
MUA010A	10" round	up to 1,200 CFM

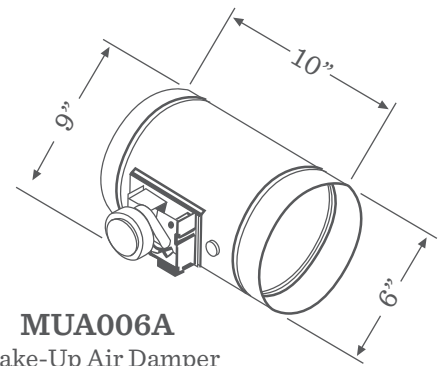
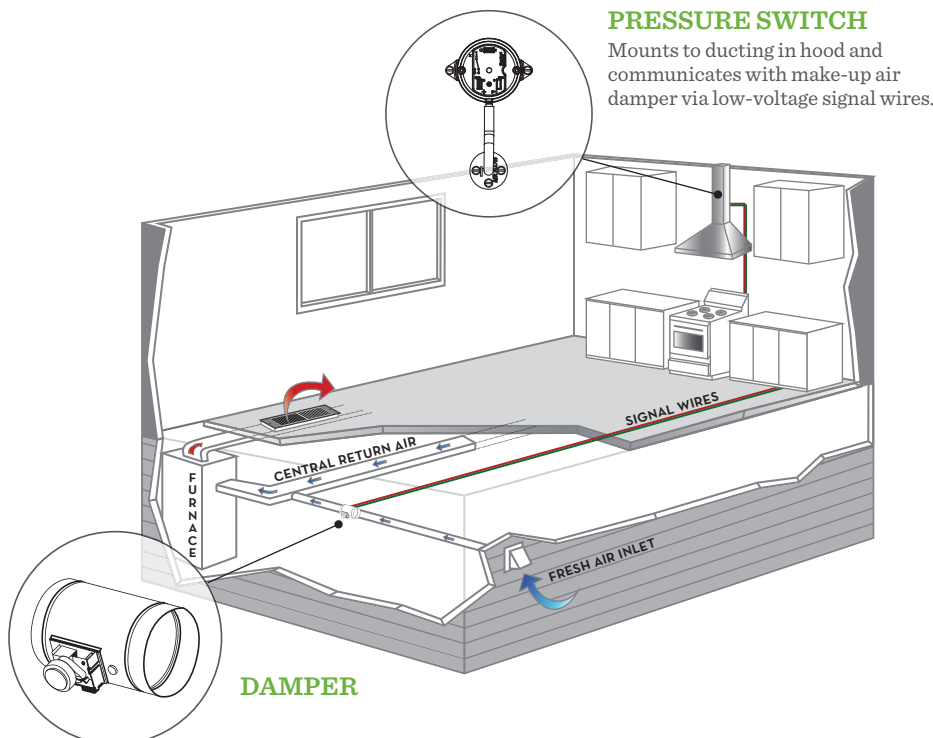
FEATURES

- 24 VAC, 60 Hz AC motor
- Meets International Residential Code M1503.4
- Automatically opens when range hood is operating
- Automatically closes when range hood is off
- 24-gauge galvanized steel construction
- Adjustment screw to adjust damper opening

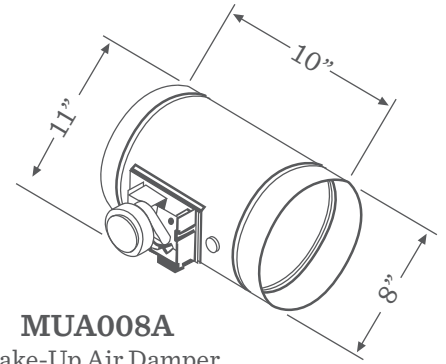
OPTIONAL ACCESSORIES

- | | |
|---------|--|
| AK00030 | Fresh air inlet cap with screen, 6" round |
| AK00032 | Fresh air inlet cap with screen, 8" round |
| AK00052 | Fresh air inlet cap with screen, 10" round |

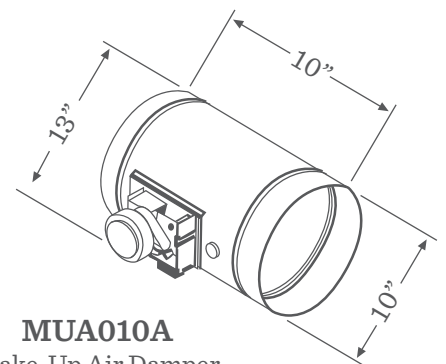
Typical Installation



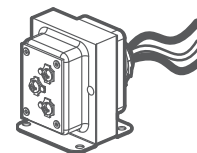
MUA006A
Make-Up Air Damper



MUA008A
Make-Up Air Damper



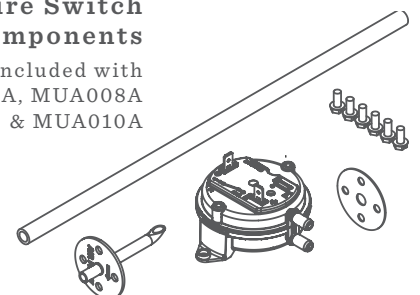
MUA010A
Make-Up Air Damper



Transformer
Installs next to damper.
Included with
MUA006A, MUA008A
& MUA010A

Pressure Switch Components

Included with
MUA006A, MUA008A
& MUA010A



BACK DRAFT DAMPER

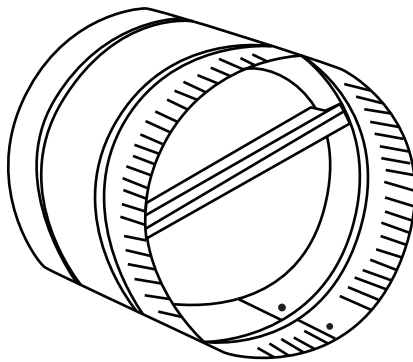
ROUND DAMPER TO PREVENT RETURN-AIR FROM ENTERING KITCHEN

MODEL	DUCT		DIMENSIONS			
	SIZE	A	B	C	D	E
AK00029	6"	6"	6"	2-7/8"	2-7/8"	1/4"
AK00049	7"	7"	7"	3-1/4"	3-1/4"	1/2"
AK00069	8"	8"	8"	3-5/8"	3-5/8"	3/4"

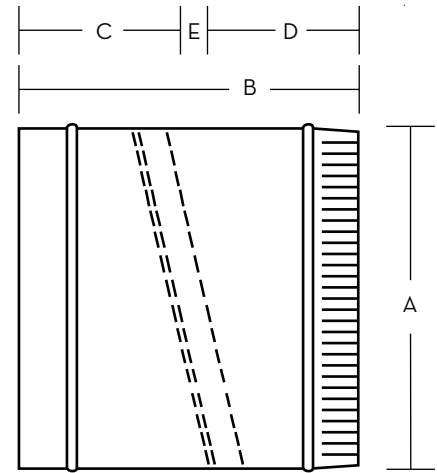


FEATURES

- Vertical Duct Application
- Galvanized (G-90)
- Foam Seal for Damper Closure
- NOT FOR USE WITH DRYER VENT APPLICATIONS



3/4 View

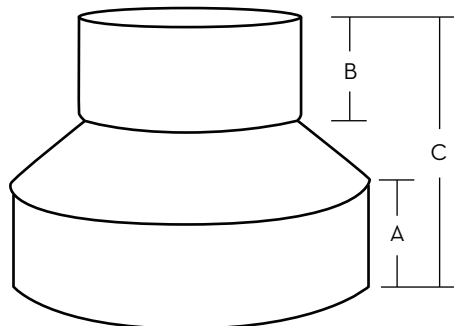


Side View

TAPERED REDUCER

REDUCES ROUND DUCT SIZE

MODEL	DUCT		DIMENSIONS	
	SIZE	A	B	C
AK00039	7x6"	1-3/4"	1-3/4"	5"
AK00037	8x6"	1-3/4"	1-3/4"	4-3/4"
AK00035	8x7"	1-3/4"	1-3/4"	4-1/4"
AK00040	10x8"	1-3/4"	1-3/4"	5"



Side View



FEATURES

- Tapered for Best Air Flow
- Galvanized (G-90)

ROOF CAP EXHAUST, J-VENT

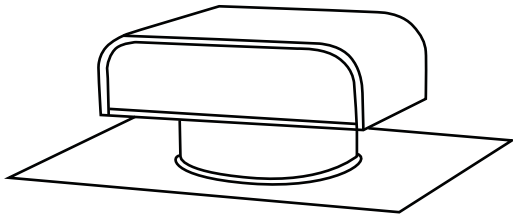
EXHAUST CAP FOR ROUND DUCTING, INSTALLS ON ROOF

MODEL	DUCT SIZE			DIMENSIONS						
	A	B	C	D	E	F	G	H	I	
AK00046	6"	12"	6"	3"	15"	10"	5-1/8"	3-1/4"	1-7/8"	3-1/4"
AK00047	7"	12"	7"	2-1/2"	15"	11"	5-1/8"	3-1/4"	1-7/8"	3-1/4"
AK00048	8"	15"	8"	3-1/2"	15"	12"	5-1/2"	3-1/2"	2"	3-1/4"
AK00050	10"	15"	10"	2-1/2"	20"	16"	6-1/2"	4-1/4"	2-1/4"	3-1/2"

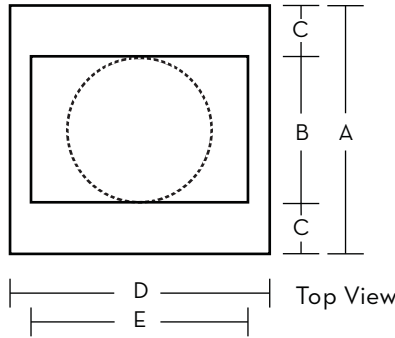


FEATURES

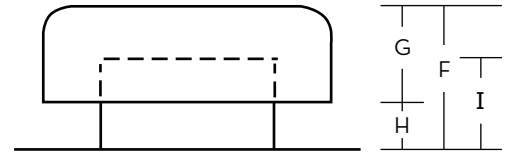
- Low Profile
- Install of Any Roof Pitch
- Mesh Bird Screen
- Galvanized (G-90)



3/4 View



Top View



Side View

WALL CAP EXHAUST, 3-1/4"x10" RECTANGULAR

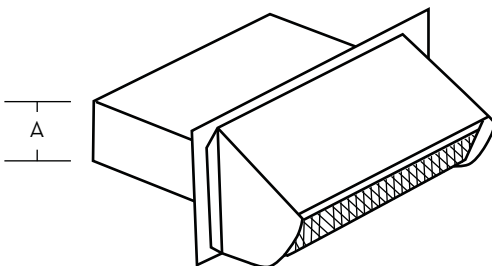
EXHAUST CAP FOR RECTANGULAR DUCTING, PREVENTS RETURN-AIR, INSTALLS ON EXTERIOR WALL

MODEL	DIMENSIONS						
	A	B	C	D	E	F	G
AK00041	3-1/4"	10"	5-5/8"	11"	5"	12-3/4"	9-1/2"

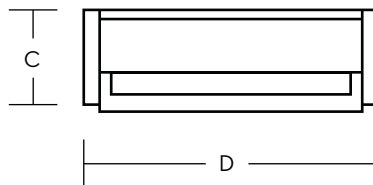


FEATURES

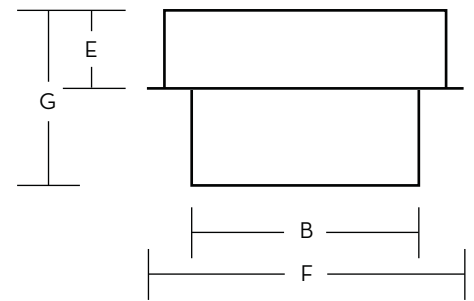
- Aluminum Damper Included
- Mesh Bird Screen
- Rain Proof
- Galvanized (G-90)
- NOT FOR USE WITH INLET VENT APPLICATIONS



3/4 View



Front View



Top View

WALL CAP EXHAUST, ROUND

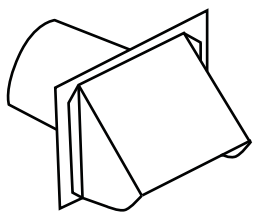
EXHAUST CAP FOR ROUND DUCTING, PREVENTS RETURN-AIR, INSTALLS ON EXTERIOR WALL

MODEL	DUCT			DIMENSIONS					
	SIZE	A	B	C	D	E	F	G	H
AK00042	6"	6"	7-5/8"	8"	1"	8-1/2"	9"	8-5/8"	7-1/8"
AK00043	7"	7"	8-5/8"	9-5/8"	1"	8-1/2"	10-3/4"	9-5/8"	8-1/8"
AK00044	8"	8"	10"	11-5/8"	1-3/4"	8-1/2"	10-3/8"	11-1/8"	10-3/8"
AK00045	10"	10"	12"	13"	1-3/4"	8-1/2"	11-1/2"	13-5/8"	13-7/8"

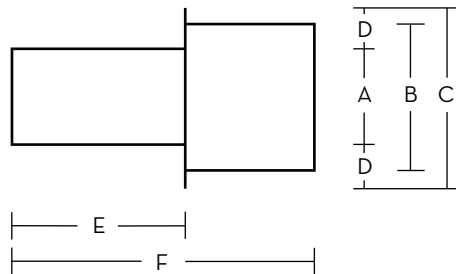


FEATURES

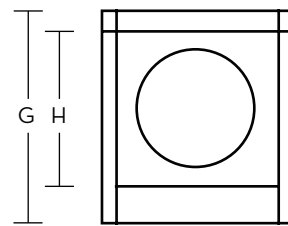
- Aluminum Damper Included
- Rain Proof
- Mesh Bird Screen
- Galvanized (G-90)



3/4 View



Top View



Back View

WALL CAP INLET, ROUND

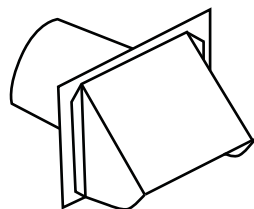
FRESH AIR INLET FOR ROUND DUCTING, COMMONLY USED WITH MAKE-UP AIR KITS

MODEL	DUCT			DIMENSIONS					
	SIZE	A	B	C	D	E	F	G	H
AK00030	6"	6"	7-5/8"	8"	1"	8-1/2"	9"	8-5/8"	7-1/8"
AK00031	7"	7"	8-5/8"	9-5/8"	1"	8-1/2"	10-3/4"	9-5/8"	8-1/8"
AK00032	8"	8"	10"	11-5/8"	1-3/4"	8-1/2"	10-3/8"	11-1/8"	10-3/8"

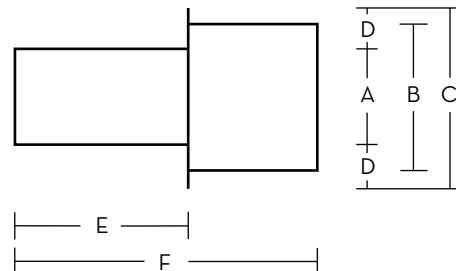


FEATURES

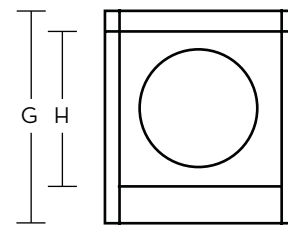
- Mesh Bird Screen
- Galvanized (G-90)
- Rain Proof



3/4 View



Top View



Back View