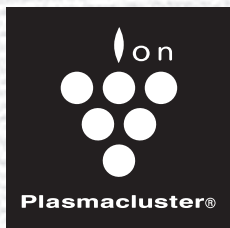
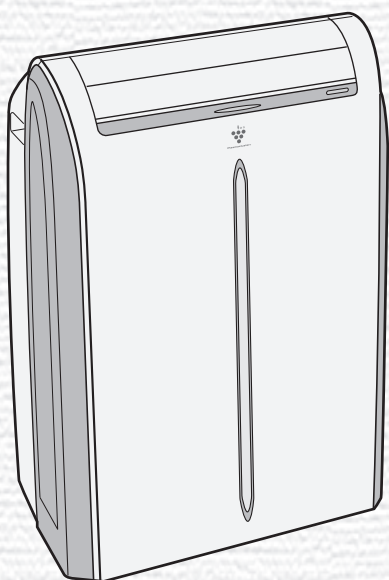


SHARP®



* Plasmacluster is a trademark of SHARP Corporation.

* Plasmacluster es una marca registrada de SHARP Corporation.



CV-P12PX
CV-P13PX
CV-PD13PX

**PORTABLE TYPE
ROOM AIR CONDITIONER
INSTALLATION AND OPERATION
MANUAL**

**ACONDICIONADOR DE AIRE
PARA HABITACIÓN TIPO
PORTÁTIL**

**MANUAL DE INSTALACIÓN
Y FUNCIONAMIENTO**

ENGLISH

ESPAÑOL



This manual explains the proper use of your new air conditioner. Please read this manual carefully before using the product. This manual should be kept in a safe place for handy reference.

CONTENTS

• FOR CUSTOMER ASSISTANCE (U.S.)	E-2
• CONSUMER LIMITED WARRANTY (U.S.)	E-3
• PRECAUTIONS	E-4
• LOCATION.....	E-6
• INCLUDED.....	E-7
• PART NAMES	E-8
• INSTALL WINDOW PANEL.....	E-10
• INSTALLATION AND REMOVAL OF EXHAUST HOSE	E-18
• PRE-OPERATION CHECKS	E-22
• COOL MODE	E-24
• DEHUMIDIFICATION MODE.....	E-24
• FAN MODE	E-25
• VENTILATION MODE.....	E-25
• TO CHANGE AIR FLOW DIRECTION.....	E-26
• PLASMACLUSTER OPERATION.....	E-27
• MEGA COOL OPERATION.....	E-28
• SLEEP OPERATION.....	E-28
• TIMER OPERATION	E-29
• MAIN UNIT OPERATION.....	E-30
• DRAINAGE	E-30
• MAINTENANCE.....	E-31
• BEFORE CALLING FOR SERVICE	E-32

Declaration of Conformity

SHARP ROOM AIR CONDITIONER CV-P12PX, CV-P13PX, CV-PD13PX

This device complies with Part 18 of FCC rules.

Responsible Party:

SHARP ELECTRONICS CORPORATION.
Sharp Plaza, Mahwah, New Jersey 07430-2135
TEL: 1-800-BE-SHARP

FOR CUSTOMER ASSISTANCE (the United States)

To aid in answering questions if you call for service or for reporting loss or theft, please record below the model and serial number located on the back side of the unit.

MODEL NUMBER

SERIAL NUMBER

DATE OF PURCHASE

Dealer Name

Address

City

State

Zip

Telephone

TO PHONE: Dial 1-800-BE-SHARP (237-4277) for:

SERVICE (for your nearest Sharp Authorized Servicer)

PARTS (for your Authorized Parts Distributor)

ACCESSORIES

ADDITIONAL CUSTOMER INFORMATION

TO WRITE: For service problems, warranty information, missing items and other assistance:

Sharp Electronics Corporation

Customer Assistance Center

1300 Naperville Drive

Romeoville, IL 60446-1091

TO ACCESS THE INTERNET: www.sharppusa.com

Please provide the following information when you write or call: model number, serial number, date of purchase, your complete mailing address (including zip code), your daytime telephone number (including area code) and description of the problem.

CONSUMER LIMITED WARRANTY

ENGLISH

CONSUMER LIMITED WARRANTY FOR THE U.S. USERS

SHARP ELECTRONICS CORPORATION warrants to the first consumer purchaser that this Sharp brand product (the "Product"), when shipped in its original container, will be free from defective workmanship and materials, and agrees that it will, at its option, either repair the defect or replace the defective Product or part thereof with a new or remanufactured equivalent at no charge to the purchaser for parts or labor for the period(s) set forth below.

This warranty does not apply to any appearance items of the Product nor to the additional excluded item(s) set forth below nor to any Product the exterior of which has been damaged or defaced, which has been subjected to improper voltage or other misuse, abnormal service or handling, or which has been altered or modified in design or construction.

In order to enforce the rights under this limited warranty, the purchaser should follow the steps set forth below and provide proof of purchase to the servicer.

The limited warranty described herein is in addition to whatever implied warranties may be granted to purchasers by law. ALL IMPLIED WARRANTIES INCLUDING THE WARRANTIES OF MERCHANTABILITY AND FITNESS FOR USE ARE LIMITED TO THE PERIOD(S) FROM THE DATE OF PURCHASE SET FORTH BELOW. Some states do not allow limitations on how long an implied warranty lasts, so the above limitation may not apply to you.

Neither the sales personnel of the seller nor any other person is authorized to make any warranties other than those described herein, or to extend the duration of any warranties beyond the time period described herein on behalf of Sharp.

The warranties described herein shall be the sole and exclusive warranties granted by Sharp and shall be the sole and exclusive remedy available to the purchaser. Correction of defects, in the manner and for the period of time described herein, shall constitute complete fulfillment of all liabilities and responsibilities of Sharp to the purchaser with respect to the Product, and shall constitute full satisfaction of all claims, whether based on contract, negligence, strict liability or otherwise. In no event shall Sharp be liable, or in any way responsible, for any damages or defects in the Product which were caused by repairs or attempted repairs performed by anyone other than an authorized servicer. Nor shall Sharp be liable or in any way responsible for any incidental or consequential economic or property damage. Some states do not allow the exclusion of incidental or consequential damages, so the above exclusion may not apply to you.

THIS WARRANTY GIVES YOU SPECIFIC LEGAL RIGHTS. YOU MAY ALSO HAVE OTHER RIGHTS WHICH VARY FROM STATE TO STATE.

Your Product Model Number & Description:

CV-P12PX, CV-P13PX, CV-PD13PX

Portable Air Conditioner. Be sure to have this information available when you need service for your Product.

Warranty Period for this Product:

One (1) year parts and labor from date of purchase. The warranty period continues for a total of five (5) years from date of purchase for the Sealed Cooling System parts; labor and service are not provided free of charge for this additional period.

Additional Item(s) Excluded From Warranty Coverage (If any):

Appearance items of the Product, filters, or accessories, or any printed materials.

Product which has been used for rental and/or commercial purposes.

Where to Obtain Service:

From a Sharp Authorized Servicer located in the United States. To find the location of the nearest Sharp Authorized Servicer, call Sharp Toll Free at 1-800-BE-SHARP.

What to Do to Obtain Service:

Contact your Sharp Authorized Servicer to obtain in-home service for this Product.

The Servicer will come to your home, and if it is necessary to remove the Product, the Servicer will reinstall it. Be sure to have Proof of Purchase available.

TO OBTAIN SUPPLY, ACCESSORY OR PRODUCT INFORMATION, CALL 1-800-BE-SHARP, OR VISIT OUR WEBSITE AT www.sharppusa.com

SHARP®

SHARP ELECTRONICS CORPORATION

Sharp Plaza, Mahwah, New Jersey 07430-2135

PRECAUTIONS

Points to keep in mind when using your air conditioner.

WARNINGS FOR USE

- **Install the air conditioner in accordance with the installation instructions in the latter section of this manual.**
- **Do not modify any part of this product.**
- **Do not insert anything into any part of the unit.**
- **Ensure the power supply used has an appropriate voltage rating.**
Only use a three-pin grounded electrical AC socket rated 125V, 60Hz, and 15 amps or more as shown on the right.
Use of a power supply with an improper voltage rating can result in damage to the unit and possibly fire.
- **Always use a fuse with the proper amp rating.**
Do not, under any circumstances, use wire, pins or other objects in place of a proper fuse.
- **In the event of any abnormality with the air conditioner (ex. a burning smell), turn it off immediately and disconnect the power supply.**



WARNING FOR POWER SUPPLY CORD

- **This air conditioner uses a plug with a built-in fuse.**
Read the precautions on the plug before using the air conditioner.
- **Always conduct a “Power Plug Check” before use to confirm the power plug functions normally.**
- **This power plug must only be plugged into an appropriate wall socket. Do not use in conjunction with any extension cords.**
- **Push the power plug securely into the socket and make sure it is not loose.**
- **Do not pull, deform, or modify the power supply cord, or immerse it in water.**
Pulling or misuse of the power supply cord can result in damage to the unit and cause electrical shock.
- **A damaged power supply cord must be replaced with a new power supply cord obtained from the product manufacturer and not repaired. Replacement must be performed by manufacturer's service agent in order to avoid a hazard.**

NOTE

Radio or TV Interference

If this room air conditioner should cause interference to radio or television reception, try to correct the interference by one or more of the following measures:

- Reorient or relocate the receiving antenna.
- Increase the separation between the room air conditioner and radio/TV receiver.
- Connect the room air conditioner into an outlet on a circuit different from that to which the radio/TV receiver is connected.
- Consult the dealer or an experienced radio/TV technician for help.

WARNING ABOUT GROUNDING

- **Improper use of the grounding plug can result in the risk of electric shock.**

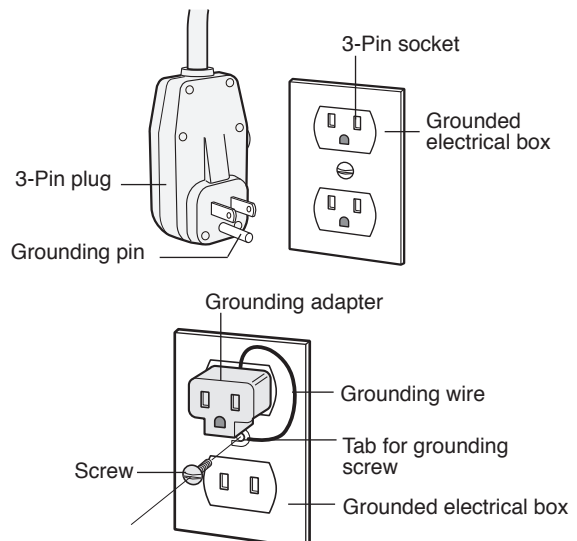
This appliance must be grounded. In the event of an electrical short circuit, grounding reduces the risk of an electric shock by providing a less resistant conduit for the electric current.

This appliance is equipped with a cord that has a grounding wire connected to a grounding plug. The plug must be plugged into a socket that is properly installed and grounded.

- **Do not under any circumstances cut or remove the round grounding pin from this plug.**

Consult a qualified electrician or serviceman if the grounding instructions are not completely understood, or if in any doubt as to whether the appliance is properly grounded.

If a grounding adapter is used, make sure the electrical box is fully grounded.



USAGE CAUTIONS

- **Ventilate the room periodically during use, especially if using gas appliances.**
- **Be sure to turn the unit off and disconnect the power supply cord before performing any maintenance or cleaning.**
- **Do not splash or pour water directly onto the unit.**
Water can cause electrical shock or equipment damage.
- **Drainage should be performed whenever moving the air conditioner.**
If any water remains in the tank, it may spill out while being moved.
- **Remove the window panel in the event of particularly adverse weather.**
Extremely adverse weather may cause water to leak in through the openings.
- **To ensure proper drainage, the drainage hose must have no kinks or be on a different level during dehumidification mode.**
The drained water may spill out into the room.
- **The temperature around the drainage hose must not be below freezing point when used.**
Drained water may freeze inside the hose, causing water inside the unit to overflow into the room.
- **Do not block the exhaust air outlet with obstacles.**
Cooling performance may be reduced or stop completely.

NOTES ON OPERATION

- **Allow 3 minutes for the compressor to restart cooling.**
If you turn the air conditioner off and immediately restart it, allow three minutes for the compressor to restart cooling. There is an electronic device in the unit that keeps the compressor turned off for three minutes for safety.
- **In the event of a power failure during use, allow 3 minutes before restarting the unit.**
After power is reinstated, restart the air conditioner. If the power was off for less than three minutes, be sure to wait at least three minutes before restarting the unit. If you restart the air conditioner within three minutes, a protective device in the unit may cause the compressor to shut off. This protective device will prevent cooling for about 5 minutes. Any previous settings will be canceled and the unit will return to its initial settings.
- **Low temperature operation: Is your unit freezing up?**
Freezing may occur when the unit is set close to 64°F in low ambient temperature conditions, especially at night.
In these conditions, a further temperature drop may cause the unit to freeze.
Setting the unit to a higher temperature will prevent it from freezing.
- **Dehumidification mode increases room temperature.**
The unit generates heat during dehumidification mode and the room temperature will rise. Warm air will be blown out from the Exhaust air outlet, but this is normal and does not indicate a problem with the unit.
- **This air conditioner blows the warm air generated by the unit outside the room via the exhaust hose while in cool mode.**
Accordingly, the same amount of air as that blown out will enter the room from outside through any openings into the room.
- **When cooling operation is performed at high humidity conditions, water tank inside the unit may frequently become full.**
When water tank inside the unit is full, the unit stops operating and TIMER, OPERATION and MEGA COOL lamps will blink. In this case, perform drainage to drain out water within the unit.

PRECAUTIONS

OPERATING CONDITIONS

- The air conditioner must be operated within the temperature range indicated below.

MODE	Room temperature
Cool	64°F ~ 95°F
Dehumidification	59°F ~ 95°F

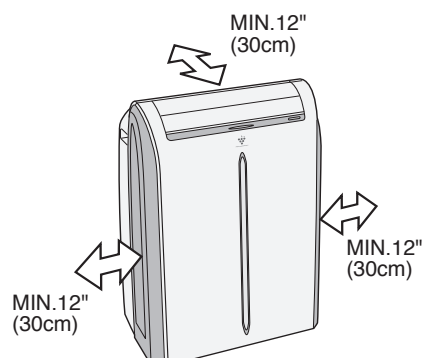
- A built-in safety device may cut off operation if the temperature exceeds these limits.
- When cooling operation is performed at high room temperature, the fan may run at a slower speed.

ENERGY EFFICIENCY TIPS

- **Avoid direct sunlight.**
Close blinds, drapes or shades to keep out direct sunlight while in cooling mode.
- **Keep the filter clean.**
Keeping the filter clean greatly aids efficient operation.
A dirty filter blocks the flow of air, making your air conditioner work harder and less efficiently.
- **Turn off unnecessary lights.**
Your air conditioner must remove the heat produced by your lights or other heat-producing appliances. Turn off any lights or appliances that are not in use.
- **Turn off the air conditioner when no one is home.**
Use only when necessary. The less time the air conditioner is used, the lower the running costs.




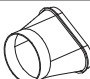




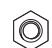

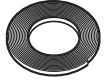




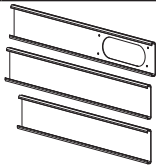

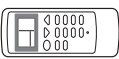


LOCATION

- The air conditioner should be placed on a firm foundation to minimize noise and vibration. For safe and secure positioning, place the unit on a smooth, level floor strong enough to support the unit.
- The unit has casters to aid placement, but it should only be rolled on smooth, flat surfaces. Use caution when rolling on carpet surfaces. Do not attempt to roll the unit over objects.
- The unit must be placed within reach of a properly rated grounded socket.
- Never place any obstacles around the air inlet or outlet of the unit.
- Allow at least 12" (30cm) of space from the wall for efficient air-conditioning.




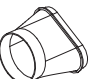









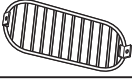

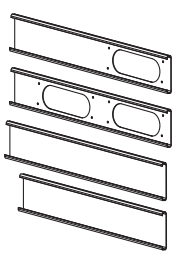

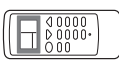


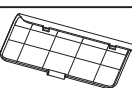


INCLUDED



CV-P12PX / CV-P13PX

Exhaust hose		1	Rain deflector assembly		1	Washer		4
Window exhaust adapter		1	Window slider bracket		2	Bolt		4
Exhaust hose adapter A		1	Foam seal A		1	Nut		4
Exhaust hose adapter B		1	Foam seal B (adhesive type)		1	Split-ring washer		4
Bracket		1	Protective screen		1	Manual		1
Window panel assembly		3	Large wood screw		5	Remote control		1
			Screw		2	Battery (AAA.1.5V)		2

CV-PD13PX

Exhaust hose		2	Rain deflector assembly		2	Washer		8
Window exhaust adapter		2	Window slider bracket		2	Bolt		8
Exhaust hose adapter A		2	Foam seal A		1	Nut		8
Exhaust hose adapter B		2	Foam seal B (adhesive type)		1	Split-ring washer		8
Bracket		1	Protective screen		2	Manual		1
Window panel assembly		4	Large wood screw		5	Remote control		1
			Screw		4	Battery (AAA.1.5V)		2
			Baffle		1			

The cover and the grille will be installed in the unit before leaving factory.

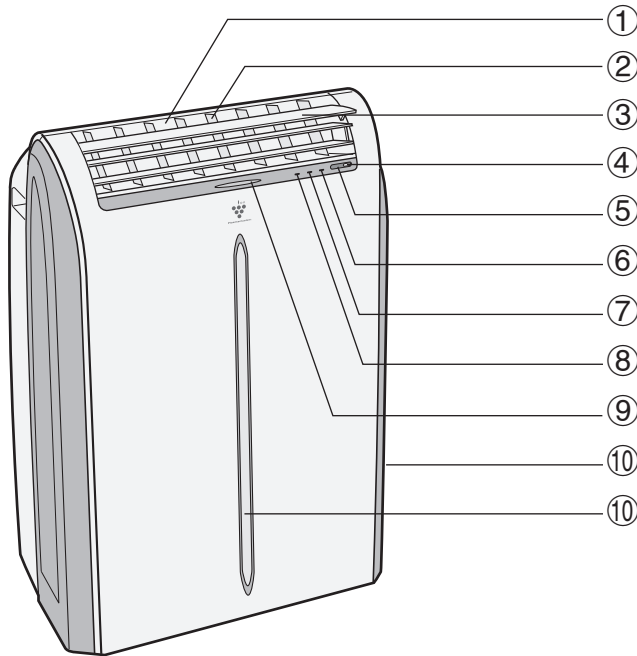
Cover		1	Grille		1
-------	---	---	--------	---	---

SUGGESTED TOOLS FOR WINDOW PANEL INSTALLATION

1. Screwdriver (medium size Phillips)
2. Tape measure or ruler
3. Knife or scissors
4. Saw (In the event that the window panel needs to be cut down in size because the window is too narrow for direct installation.)

PART NAMES

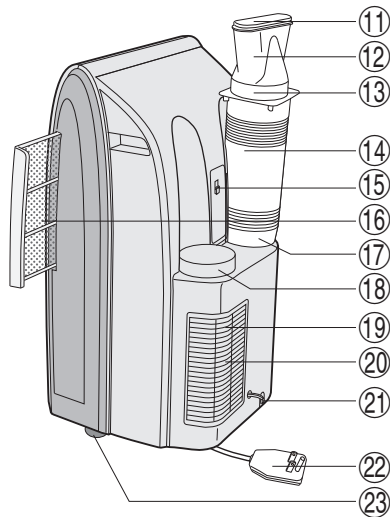
FRONT VIEW



- ① Air Outlet
- ② Vertical louvers
- ③ Horizontal louvers
- ④ POWER Button
- ⑤ Remote control signal receiver window
- ⑥ OPERATION Lamp (red)
- ⑦ TIMER Lamp (orange)
- ⑧ MEGA COOL Lamp (green)
- ⑨ PLASMACLUSTER Lamp (blue)
- ⑩ Air inlet

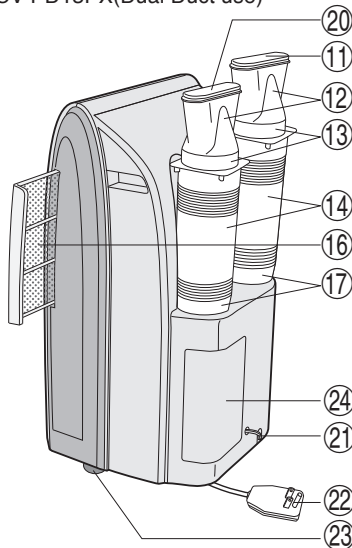
REAR VIEW

CV-P12PX
CV-P13PX
CV-PD13PX(Single Duct use)



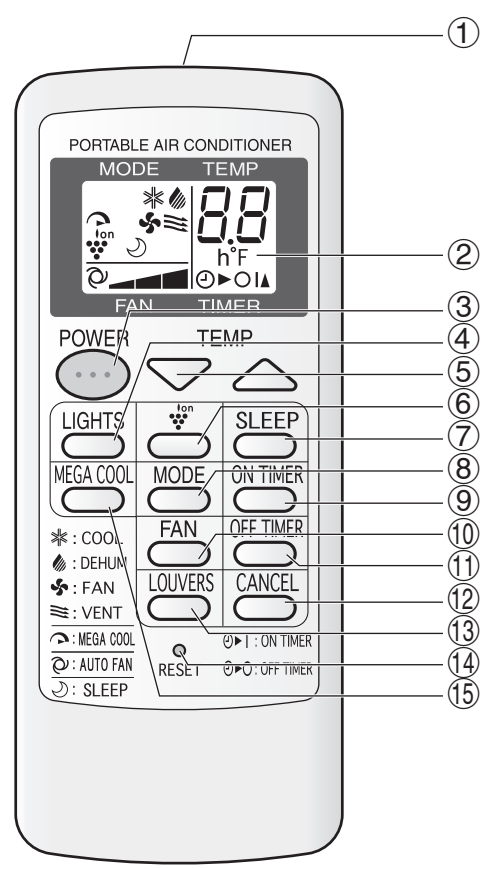
- ⑪ Exhaust air outlet
- ⑫ Window exhaust adapter
- ⑬ Exhaust hose adapter A
- ⑭ Exhaust hose
- ⑮ Remote control hook
- ⑯ Air filter
- ⑰ Exhaust hose adapter B
- ⑱ Cover
- ⑲ Grille
- ⑳ Air inlet
- ㉑ Drainpipe and stopcock
- ㉒ Power plug
- ㉓ Casters(4)
- ㉔ Baffle

CV-PD13PX(Dual Duct use)



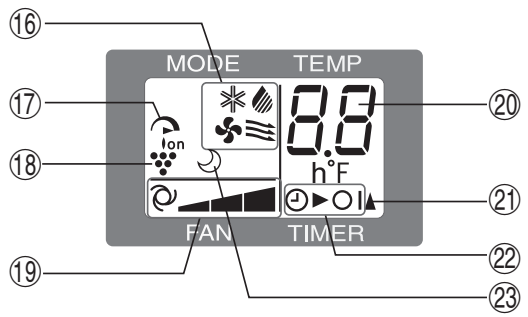
NOTE: Actual unit might vary slightly from above illustration.

REMOTE CONTROL



- ① Transmitter
- ② Display
- ③ POWER Button
- ④ LIGHTS Button
- ⑤ TEMPERATURE Button
- ⑥ PLASMACLUSTER Button
- ⑦ SLEEP Button
- ⑧ MODE Button
- ⑨ ON TIMER Button
- ⑩ FAN Button
- ⑪ OFF TIMER Button
- ⑫ CANCEL Button
- ⑬ LOUVERS Button
- ⑭ RESET Button
- ⑮ MEGA COOL Button

REMOTE CONTROL DISPLAY



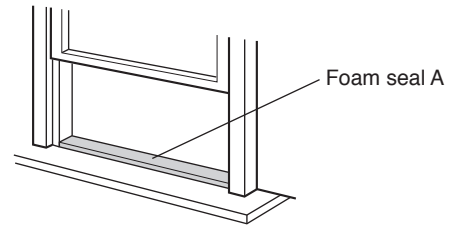
- ⑯ **MODE SYMBOLS**
 * : COOL ▨ : DEHUMIDIFICATION
 ⚙ : FAN ≡ : VENTILATION
- ⑰ **MEGA COOL SYMBOL**
- ⑱ **PLASMACLUSTER SYMBOL**
- ⑲ **FAN SPEED SYMBOLS**
 ⚙ : AUTO ▴ : Quiet
 ▴ : Low ▴▴▴ : High
- ⑳ **TEMPERATURE AND TIMER COUNT DOWN INDICATOR**
- ㉑ **TRANSMITTING SYMBOL**
- ㉒ **ON TIMER / OFF TIMER SYMBOL**
- ㉓ **SLEEP SYMBOL**

INSTALL WINDOW PANEL

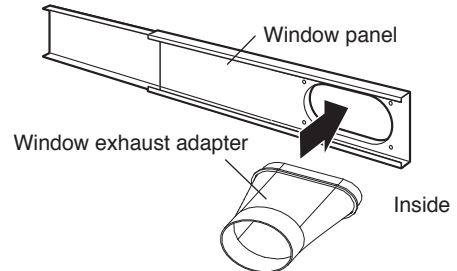
Installation in a double-hung sash window

(CV-P12PX, CV-P13PX)

- 1** Cut the foam seal A to the proper length and attach it to the window stool.

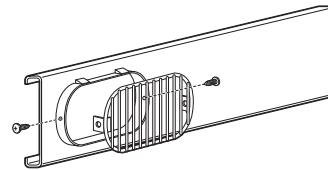


- 2** Attach the window exhaust adapter to the window panel inside opening.



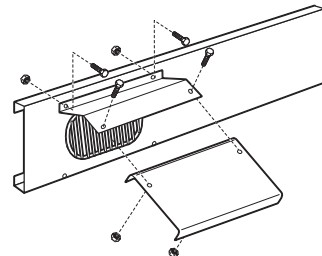
- 3** Attach the protective screen to the outside of the window exhaust adapter.

Use 2 screws to attach the protective screen onto the outside of the window exhaust adapter.



- 4** Install the rain deflector to the outside of the window panel.

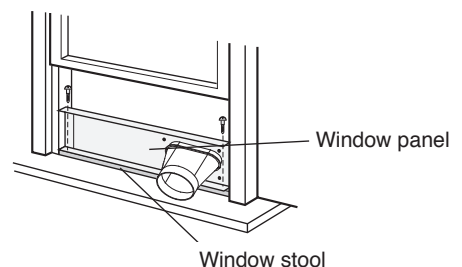
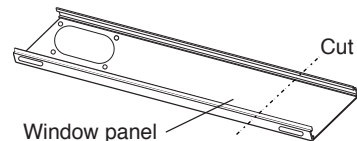
Line up the holes on the rain deflector and the window panel. Use 4 bolts, 4 washers, 4 split-ring washers and 4 nuts to attach the rain deflector onto the window panel.



- 5** Attach the window panel to the window stool.

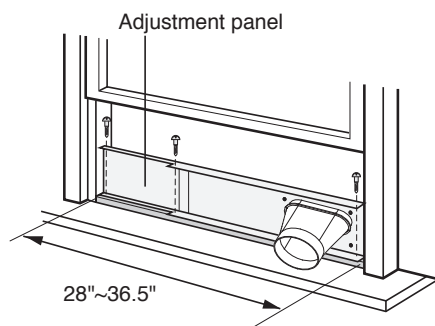
If the inner width of the window is less than 28" (718mm) wide.

- (1) Remove the adjustment panel from the window panel, and cut the window panel to the same width as the window.
- (2) Open the window sash and place the window panel on the window stool
- (3) Secure the window panel to the window stool with 2 large wood screws.



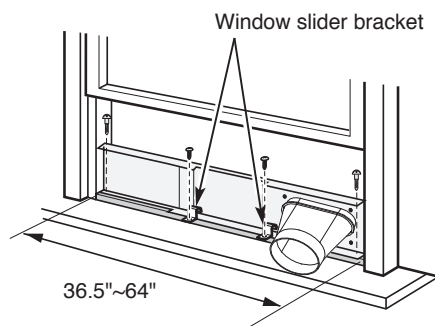
If the inner width of the window is between 28" (718mm) and 36.5" (927mm) inclusive.

- (1) Open the window sash and place the window panel on the window stool.
- (2) Slide the adjustment panel to fit the window frame width.
- (3) Secure the window panel to the stool with 3 large wood screws.

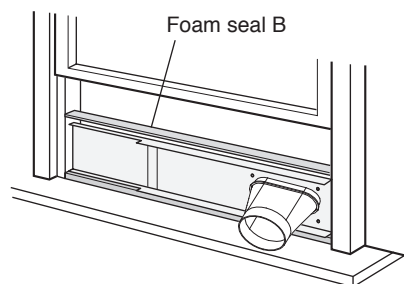


If the inner width of the window is between 36.5" (927mm) and 64" (1625mm) inclusive.

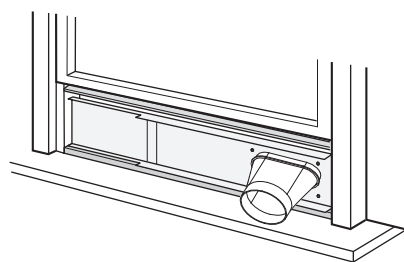
- (1) Open the window sash and place the second window panel on the window stool.
- (2) Slide the adjustment panel to fit the window frame width.
- (3) Secure the window panel to the window stool with 2 large wood screws.
- (4) Hook the two window slider brackets over the bottom edge of the adjustment panel and attach them to the window stool using 2 large wood screws.



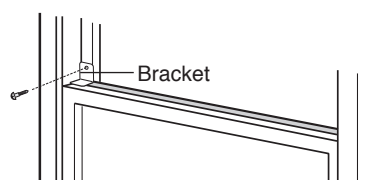
6 Cut the foam seal B to the proper length and attach it to the window panel.



7 Close the window sash securely against the window panel.



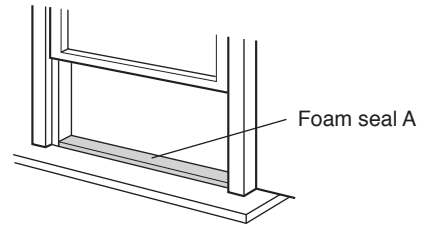
8 Attach the bracket with a large wood screw.



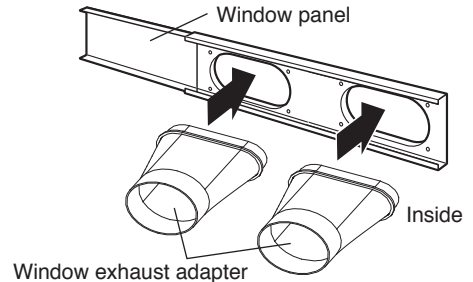
INSTALL WINDOW PANEL

Installation in a double-hung sash window (CV-PD13PX)

1 Cut the foam seal A to the proper length and attach it to the window stool.

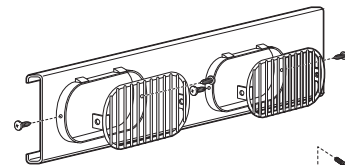


2 Attach 2 window exhaust adapters to the window panel inside opening.



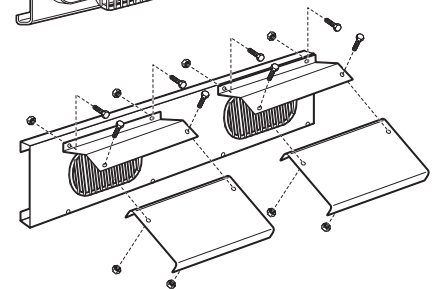
3 Attach 2 protective screens to the outside of the window exhaust adapter.

Use 4 screws to attach the protective screens onto the outside of the window exhaust adapter.



4 Install 2 rain deflectors to the outside of the window panel.

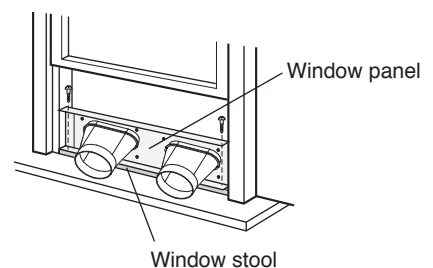
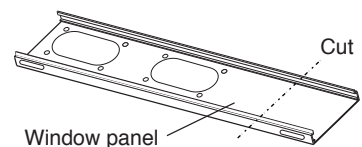
Line up the holes on the rain deflector and the window panel. Use 8 bolts, 8 washers, 8 split-ring washers and 8 nuts to attach the rain deflector onto the window panel.



5 Attach the window panel to the window stool.

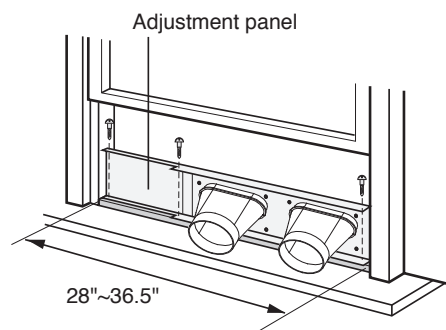
If the inner width of the window is less than 28" (718mm) wide.

- (1) Remove the adjustment panel from the window panel, and cut the window panel to the same width as the window.
- (2) Open the window sash and place the window panel on the window stool
- (3) Secure the window panel to the window stool with 2 large wood screws.



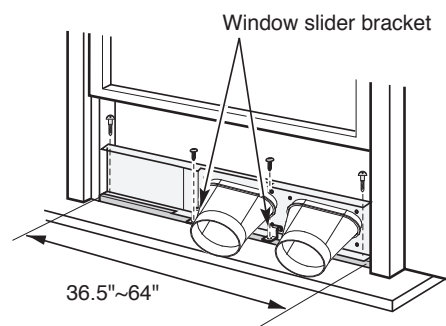
If the inner width of the window is between 28" (718mm) and 36.5" (927mm) inclusive.

- (1) Open the window sash and place the window panel on the window stool.
- (2) Slide the adjustment panel to fit the window frame width.
- (3) Secure the window panel to the stool with 3 large wood screws.

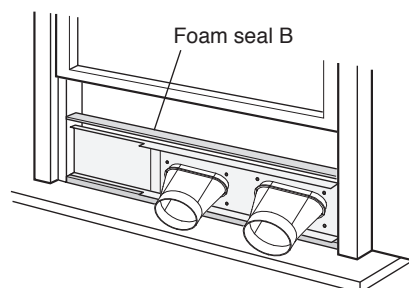


If the inner width of the window is between 36.5" (927mm) and 64" (1625mm) inclusive.

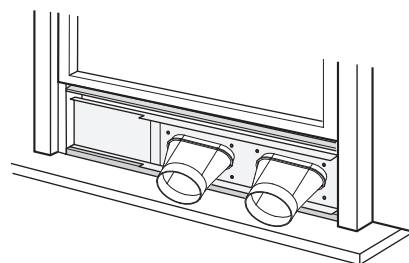
- (1) Open the window sash and place the second window panel on the window stool.
- (2) Slide the adjustment panel to fit the window frame width.
- (3) Secure the window panel to the window stool with 2 large wood screws.
- (4) Hook the two window slider brackets over the bottom edge of the adjustment panel and attach them to the window stool using 2 large wood screws.



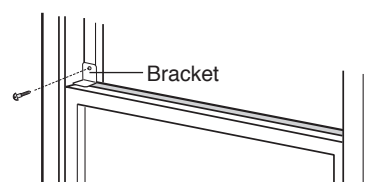
6 Cut the foam seal B to the proper length and attach it to the window panel.



7 Close the window sash securely against the window panel.



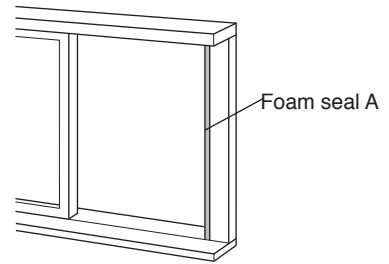
8 Attach the bracket with a large wood screw.



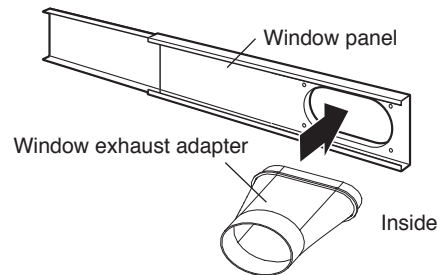
INSTALL WINDOW PANEL

Installation in a sliding sash window (CV-P12PX, CV-P13PX)

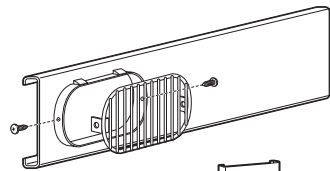
- 1** Cut the foam seal A to the proper length and attach it to the window frame.



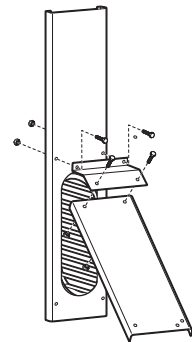
- 2** Attach the window exhaust adapter to the window panel inside opening.



- 3** Attach the protective screen to the outside of the window exhaust adapter.
Use 2 screws to attach the protective screen onto the outside of the window exhaust adapter.



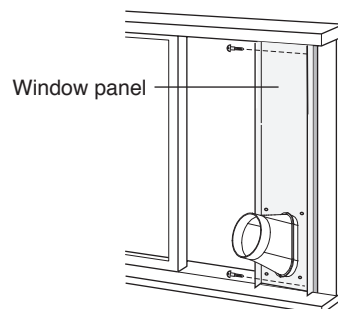
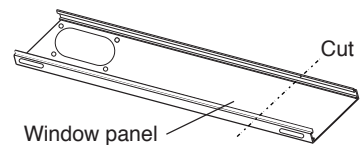
- 4** Install the rain deflector to the outside of the window panel.
Line up the holes on the rain deflector and the window panel. Use 4 bolts, 4 washers, 4 split-ring washers and 4 nuts to attach the rain deflector onto the window panel.



- 5** Install the window panel into the window frame.

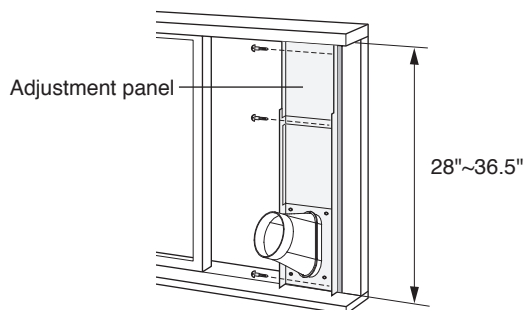
If the inner height of the window is less than 28" (718mm) high.

- (1) Remove the adjustment panel from the window panel, and cut the window panel to the same height as the window.
- (2) Open the window sash and place the window panel on the window frame.
- (3) Secure the window panel to the window frame with 2 large wood screws.



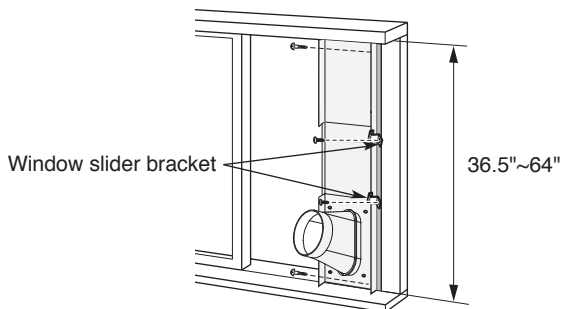
If the inner height of the window is between 28" (718mm) and 36.5" (927mm) inclusive.

- (1) Open the window sash and place the window panel on the window frame.
- (2) Slide the adjustment panel to fit the window frame height.
- (3) Secure the window panel to the window frame with 3 large wood screws.

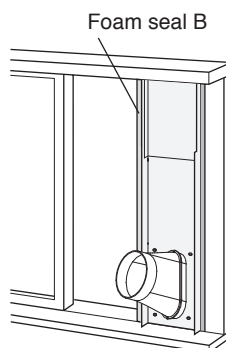


If the inner height of the window is between 36.5" (927mm) and 64" (1625mm) inclusive.

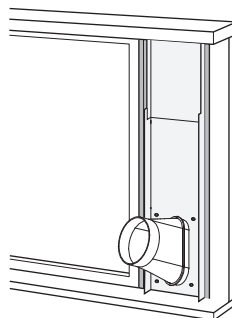
- (1) Open the window sash and place the window panel on the window frame.
- (2) Slide the adjustment panel to fit the window frame height.
- (3) Secure the window panel to the window frame with 2 large wood screws.
- (4) Hook the two window slider brackets over the bottom edge of the adjustment panel and attach them to the window frame using 2 large wood screws.



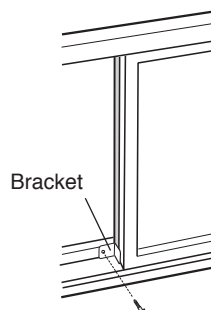
6 Cut the foam seal B to the proper length and attach it to the window panel.



7 Close the window sash securely against the window panel.



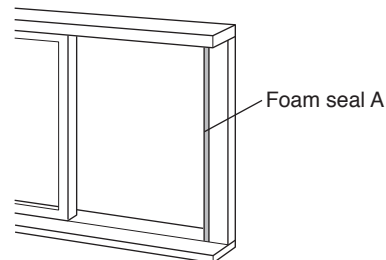
8 Attach the bracket with a large wood screw.



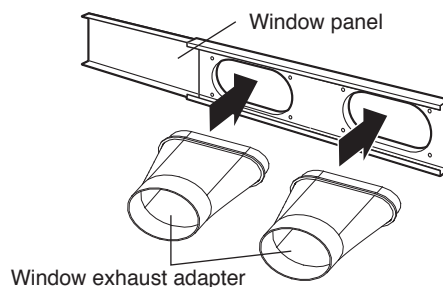
INSTALL WINDOW PANEL

Installation in a sliding sash window (CV-PD13PX)

- 1** Cut the foam seal A to the proper length and attach it to the window frame.

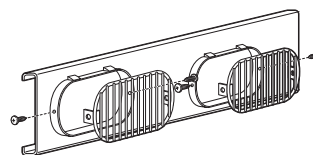


- 2** Attach 2 window exhaust adapters to the window panel inside opening.



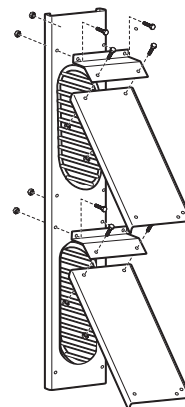
- 3** Attach 2 protective screens to the outside of the window exhaust adapter.

Use 4 screws to attach the protective screens onto the outside of the window exhaust adapter.



- 4** Install 2 rain deflectors to the outside of the window panel.

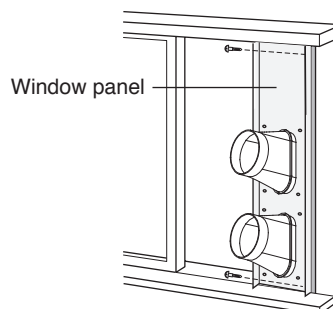
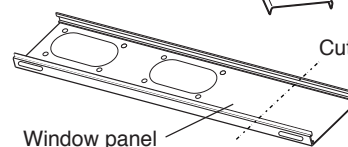
Line up the holes on the rain deflector and the window panel. Use 8 bolts, 8 washers, 8 split-ring washers and 8 nuts to attach the rain deflector onto the window panel.



- 5** Install the window panel into the window frame.

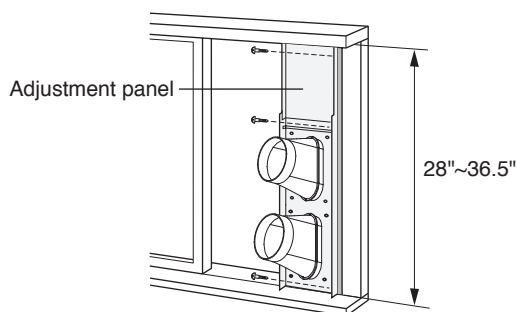
If the inner height of the window is less than 28" (718mm) high.

- (1) Remove the adjustment panel from the window panel, and cut the window panel to the same height as the window.
- (2) Open the window sash and place the window panel on the window frame.
- (3) Secure the window panel to the window frame with 2 large wood screws.



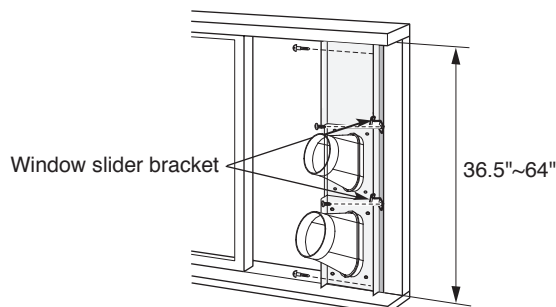
If the inner height of the window is between 28" (718mm) and 36.5" (927mm) inclusive.

- (1) Open the window sash and place the window panel on the window frame.
- (2) Slide the adjustment panel to fit the window frame height.
- (3) Secure the window panel to the window frame with 3 large wood screws.

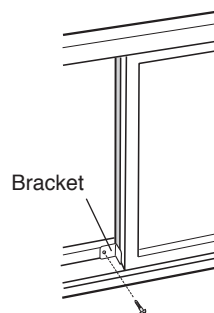
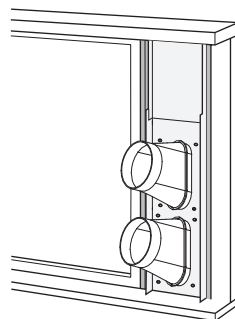
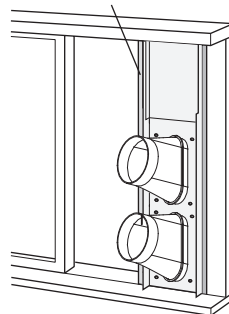


If the inner height of the window is between 36.5" (927mm) and 64" (1625mm) inclusive.

- (1) Open the window sash and place the window panel on the window frame.
- (2) Slide the adjustment panel to fit the window frame height.
- (3) Secure the window panel to the window frame with 2 large wood screws.
- (4) Hook the two window slider brackets over the bottom edge of the adjustment panel and attach them to the window frame using 2 large wood screws.



Foam seal B



6 Cut the foam seal B to the proper length and attach it to the window panel.

7 Close the window sash securely against the window panel.

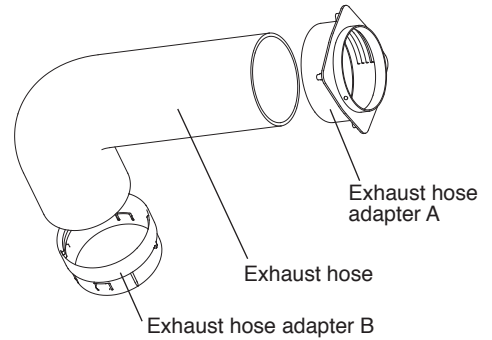
8 Attach the bracket with a large wood screw.

INSTALLATION AND REMOVAL OF EXHAUST HOSE

Installation of the exhaust hose (CV-P12PX, CV-P13PX)

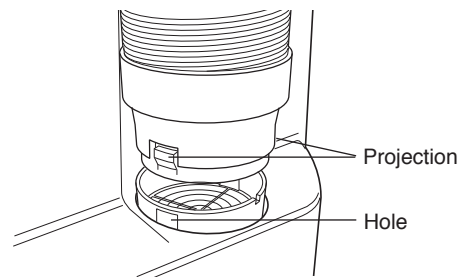
1 Attach the exhaust hose adapters A and B to the exhaust hose.

Extend both ends of the exhaust hose and insert them into the exhaust hose adapters A and B respectively, and turn them until they stop. Make sure they are securely attached.



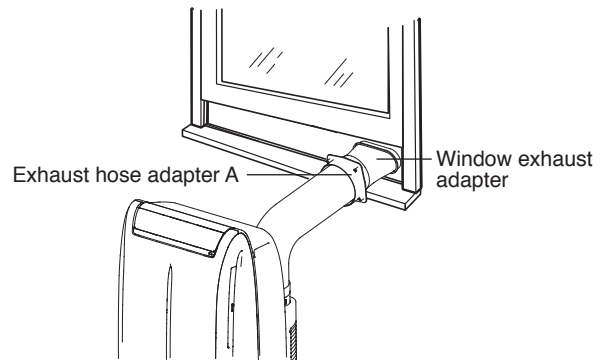
2 Attach the exhaust hose adapter B to the unit.

Insert the two projections on the exhaust hose adapter B into the two holes on the unit, and firmly attach them to each other.



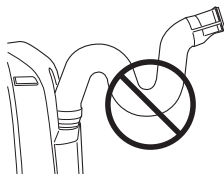
3 Attach the exhaust hose.

Insert the exhaust hose adapter A to the window exhaust adapter in the window panel and turn it to lock it in place.



The exhaust hose should be as short as possible for operational efficiency; however, it must not be twisted or bent.

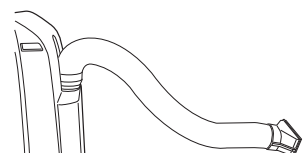
Unacceptable



Acceptable



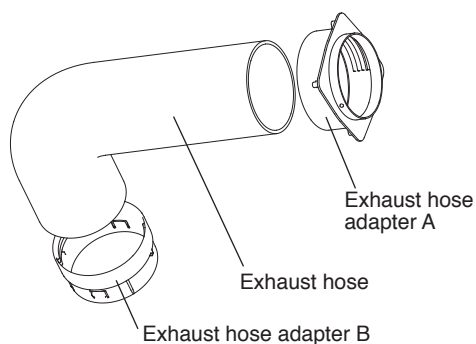
Acceptable



Installation of the exhaust hose (CV-PD13PX)

1 Attach the exhaust hose adapters A and B to the exhaust hoses.

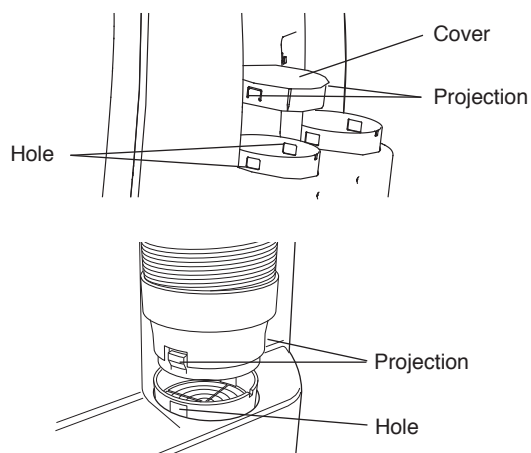
Extend both ends of the exhaust hose and insert them into the exhaust hose adapters A and B respectively, and turn them until they stop. Attach the other exhaust hose adapters A and B to the exhaust hose in the same way. Make sure they are securely attached.



2 Attach the exhaust hose adapters B to the unit.

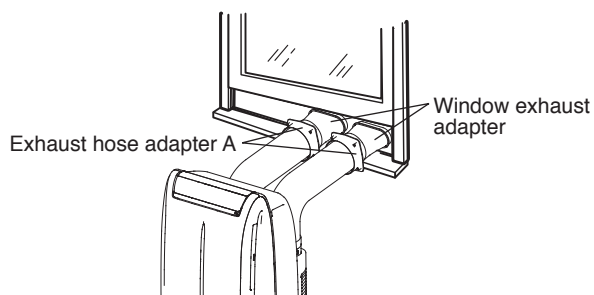
Remove the cover from the unit by pushing down the two projections on it.

Insert the two projections on the exhaust hose adapter B into the two holes on the unit, and firmly attach them to each other. Attach the other exhaust hose adapter B to the unit in the same way.



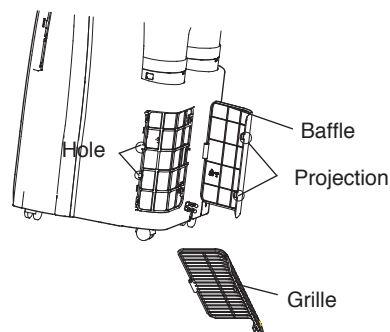
3 Attach the exhaust hoses.

Insert the exhaust hose adapter A to the window exhaust adapter in the window panel and turn it to lock it in place. Attach the other exhaust hose in the same way.



4 Attach the baffle to the back plate of the unit.

Open the grille and remove it. Insert the 2 projections on the baffle into the 2 holes on the back plate of the unit, and close the baffle.



INSTALLATION AND REMOVAL OF EXHAUST HOSE

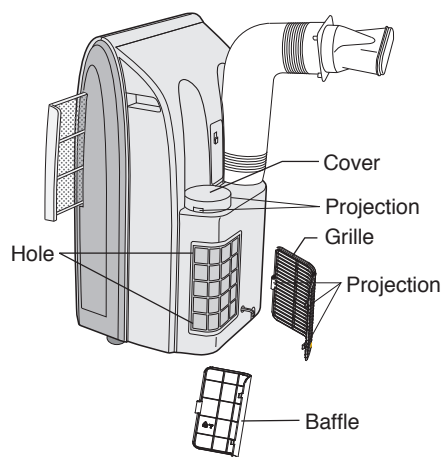
NOTICE:

If the dual-duct type unit is used as single-duct type one, please refer to the following instructions:

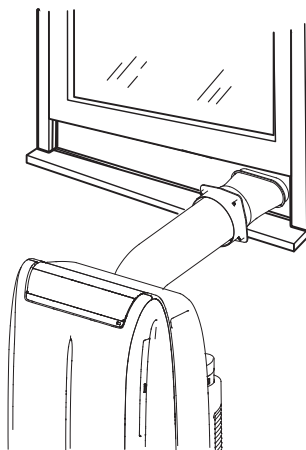
1 Attach the grille and the cover to the unit.

Open the baffle and remove it. Insert the 2 projections on the grille into the 2 holes on the back plate of the unit, and close the grille.

Insert the two projections on the cover into the two holes on the unit,

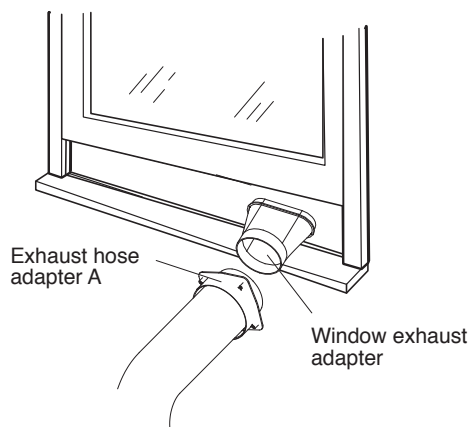


2 Install one exhaust hose.



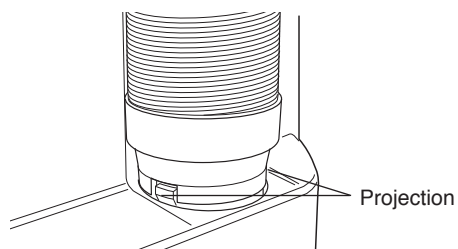
Removal of the exhaust hose

- 1 Remove the exhaust hose adapter A.**
Remove the exhaust hose adapter A from the window exhaust adapter.



- 2 Remove the exhaust hose adapter from the unit.**

Lift up and remove the exhaust hose adapter from the unit by pushing down on the two projections.

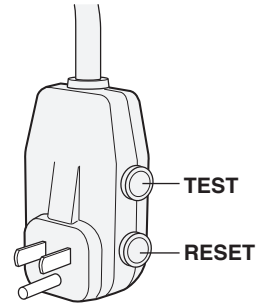


PRE-OPERATION CHECKS

POWER PLUG CHECK

This air conditioner uses a fused power plug. Always check the power plug before use.

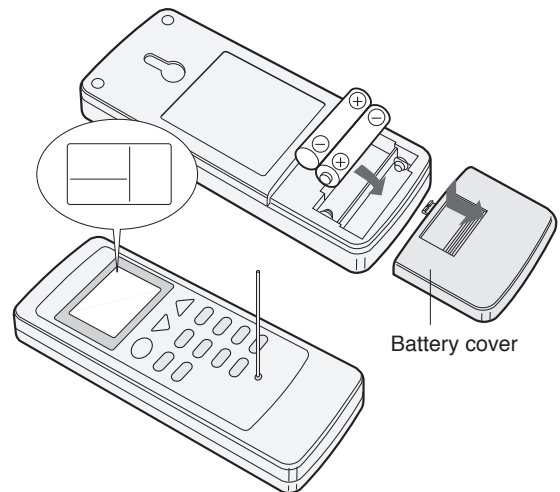
- 1 Press the RESET button.**
- 2 Insert the power plug into the wall socket.**
- 3 Press the TEST button.**
You will hear a **CLICK** if the circuit breaker is functioning correctly.
- 4 Press the RESET button until you hear another CLICK.**
The circuit breaker is activated, power is supplied, and the air conditioner is now ready for use.



Do not attempt to use the air conditioner if the above procedure cannot be performed. Disconnect the power plug and call for service.

LOADING BATTERIES Use two AAA (R03) batteries.

- 1 Remove the battery cover at the back of the remote control.**
- 2 Insert batteries into the compartment, making sure the \oplus and \ominus polarities are correctly aligned.**
 - Lines will appear on the display when batteries are properly installed.
- 3 Reattach the battery cover.**
- 4 Press the RESET button using a thin pointed implement.**



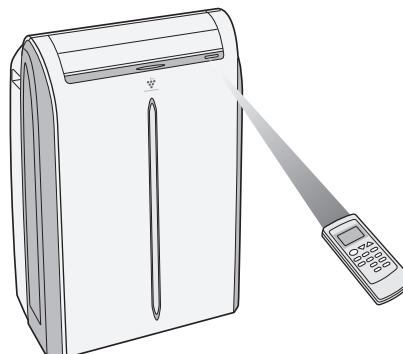
NOTES:

- The battery should last approximately one year under normal use.
- When replacing the batteries, always change both batteries at the same time, and make sure they are the same type.
- If the remote control does not operate normally after replacing the batteries, press the RESET button using a thin pointed implement.
- If you will not be using the unit for a prolonged period, remove the batteries from the remote control.

HOW TO USE THE REMOTE CONTROL

Point the remote control towards the unit's signal receiver window and press the desired button. A beep will sound when the unit receives the signal.

- Make sure nothing, such as curtains, blocks the signal receiver window.
- The remote control operates up to 23 feet (7 meters) away.

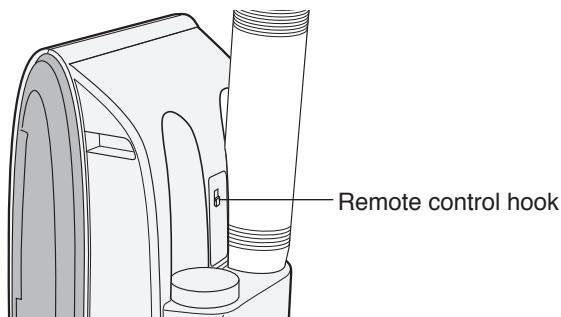


CAUTION

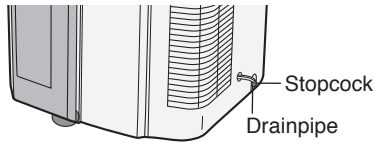
- Do not expose the signal receiver window to direct sunlight. This may adversely affect its operation. If necessary, close the curtains to block out the sunlight.
- Use of a fluorescent lamp in the same room may interfere with transmission of the signal.
- The unit may be affected by signals emitted from other remote controllers for televisions, VCRs or other equipment used in the same room.
- Do not leave the remote control exposed to direct sunlight or near a heater. Protect the remote control from moisture and shock which can discolor or damage it.

To prevent the remote control from being misplaced, hook it to the unit when not in use.

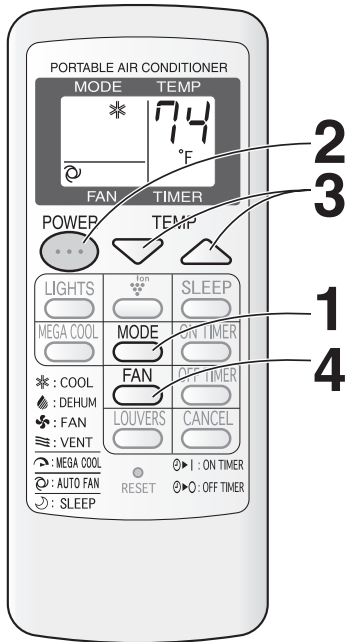
When attached, to remove the remote control from the unit, lift the remote control up slightly and pull it out.



COOL MODE



Ensure that the stopcock is securely attached the drainpipe.



1 Press the **MODE** button to select **COOL** mode.



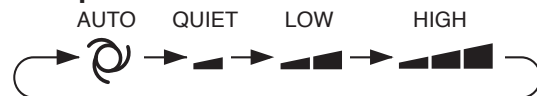
2 Press the **POWER** button to start operation.

- The red OPERATION lamp on the unit will light.

3 Press the **TEMPERATURE** button to set the desired temperature.

- The temperature can be set within the range of 64°F to 86°F.

4 Press the **FAN** button to set the desired fan speed.



TO TURN OFF

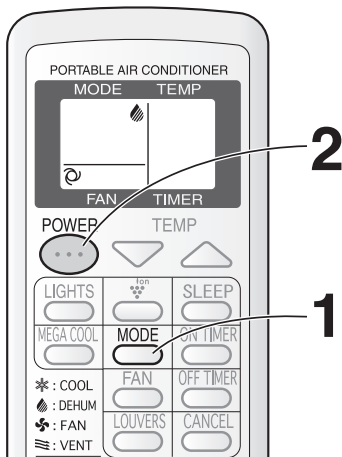
Press the **POWER** button again.

- The red OPERATION lamp on the unit will turn off.

DEHUMIDIFICATION MODE

In this mode, the air conditioner dehumidifies the room.

Ensure that the stopcock is securely attached the drainpipe.



1 Press the **MODE** button to select **DEHUMIDIFICATION** mode.



2 Press the **power** button to start operation.

- The red OPERATION lamp on the unit will light.
- The temperature cannot be set.
- The fan speed is preset to AUTO and cannot be changed.

TO TURN OFF

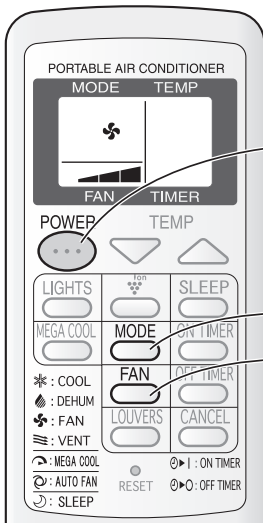
Press the **POWER** button again.

- The red OPERATION lamp on the unit will turn off.

FAN MODE

In this mode, the air conditioner simply circulates the air without cooling it.

Ensure that the stopcock is securely attached the drainpipe.



1 Press the MODE button to select FAN mode.
COOL DEHUM FAN VENT



2 Press the POWER button to start operation.
• The red OPERATION lamp on the unit will light.
• The temperature cannot be set.

3 Press the FAN button to set the desired fan speed.



TO TURN OFF

Press the POWER button again.

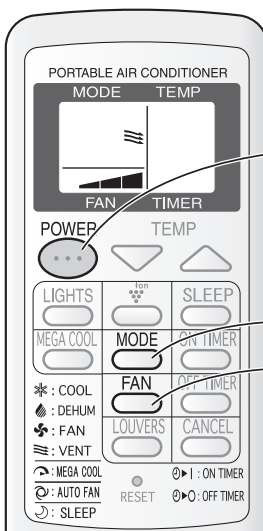
• The red OPERATION lamp on the unit will turn off.

ENGLISH

VENTILATION MODE

In this mode, the air conditioner ventilates the air to outdoors.

Ensure that the stopcock is securely attached the drainpipe.



1 Press the MODE button to select VENT mode.
COOL DEHUM FAN VENT



2 Press the POWER button to start operation.
• The red OPERATION lamp on the unit will light.
• The temperature cannot be set.

3 Press the FAN button to set the desired fan speed.
• Although the louvers are closed and no air blows out into the room, the external ventilation fan speed changes.



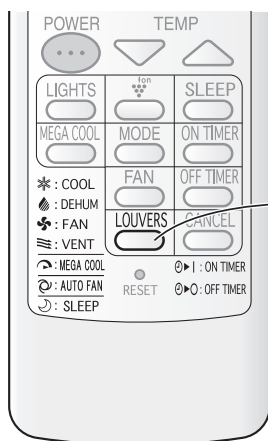
TO TURN OFF

Press the POWER button again.

• The red OPERATION lamp on the unit will turn off.

TO CHANGE AIR FLOW DIRECTION

UP / DOWN AIR FLOW DIRECTION



1 Press the **LOUVERS** button on the remote control.

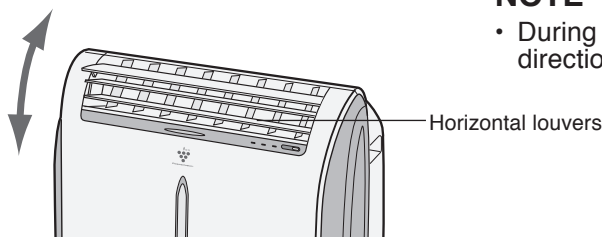
- The horizontal louvers will swing continuously.

2 Press the **LOUVERS** button again when the horizontal louvers are at the desired position.

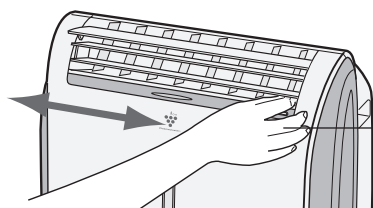
- The horizontal louvers will stop moving.
- The adjusted position will be memorized and the same position will be set automatically when operated the next time.

NOTE

- During VENTILATION mode, UP/DOWN air flow direction cannot be changed.



LEFT / RIGHT AIR FLOW DIRECTION



Hold the vertical louver as shown in the diagram and adjust the air flow direction.

CAUTION

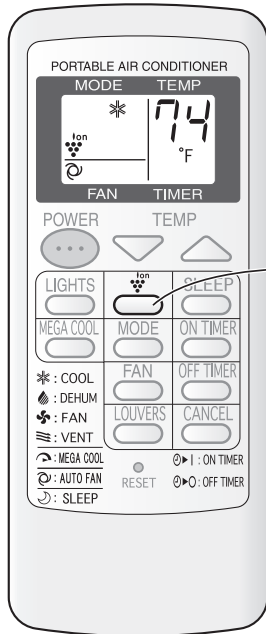
Never attempt to adjust the horizontal louvers manually.

- Manual adjustment of the horizontal louvers can cause the unit to malfunction when the remote control is used for adjustment.
- When the horizontal louvers are positioned at the lowest position in the COOL or DEHUMIDIFICATION mode for an extended period of time, condensation may result.


Do not adjust the vertical louvers to the extreme left or right in the COOL mode with the fan speed set to "QUIET (■)" for an extended period of time. Condensation may form on the louvers.

PLASMACLUSTER OPERATION

Plasmacluster ions released into the room will reduce some airborne mold.



1 Press the PLASMACLUSTER button during operation.

- The remote control will display “”.
- The blue PLASMACLUSTER lamp on the unit will light.

TO CANCEL

Press the PLASMACLUSTER button again.

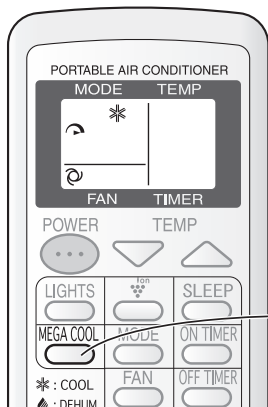
- The PLASMACLUSTER lamp on the unit will turn off.

NOTES:

- Use of the PLASMACLUSTER function will be memorized and it will be activated the next time you turn on the air conditioner.
- To turn off the PLASMACLUSTER Lamp, press the LIGHTS button.
- PLASMACLUSTER operation cannot be set during VENTILATION mode.

MEGA COOL OPERATION

In this operation, the air conditioner fan works at extra high speed with a setting temperature of 59°F.



1 Press the MEGA COOL button during cooling mode.

- The remote control will display "☀".
- The temperature display will go off.
- The green MEGA COOL lamp on the unit will light.

TO CANCEL

Press the MEGA COOL button again.

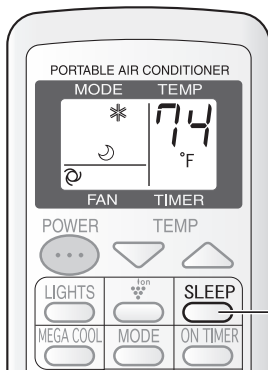
- MEGA COOL operation is also cancelled when the mode is changed, or when the unit is turned off.
- The green MEGA COOL lamp on the unit will turn off.

NOTES:

- You cannot set the temperature or fan speed during MEGA COOL operation.
- The fan returns to the HIGH speed setting after the unit has run for 30 minutes in MEGA COOL mode.
- The extra high fan speed may automatically slow down to protect the unit.

SLEEP OPERATION

When SLEEP operation is set, the temperature setting is automatically adjusted to prevent the room from becoming too cold.



1 Press the SLEEP button during cooling mode.

- The remote control displays "☾".
- The orange TIMER lamp on the unit will light.
- The unit will stop operating after 8 hours.
- The fan speed setting is set to AUTO.

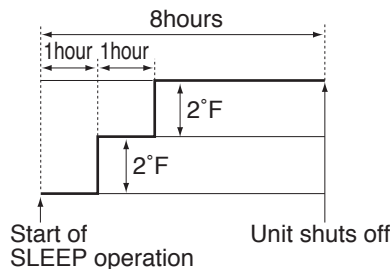
TO CANCEL

Press the SLEEP button.

- The orange TIMER lamp on the unit will turn off.
- SLEEP operation is also cancelled when the mode is changed, or when the unit is turned off.

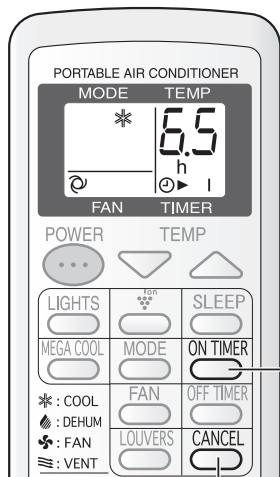
NOTES:

- One hour after the SLEEP operation is started, the temperature setting rises by 2°F and after another hour it rises by an additional 2°F. Temperature display on the remote control will not change from its original setting.
- SLEEP operation and MEGA COOL operation can not be used together.
- The OFF TIMER, ON TIMER and SLEEP operation can not be set together. Only the most recent settings will be used.



TIMER OPERATION

ON TIMER



CANCEL

1 Press the ON TIMER button.

- The time setting will change as you press the button as follows. Hold the button down to speed through the settings.



- The orange TIMER lamp on the unit will light.
- The time setting will count down to show the remaining time.

Select the mode, temperature, fan speed setting and PLASMACLUSTER operation as desired.

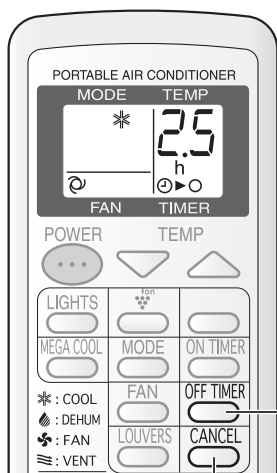
- When the temperature is set with the ON TIMER, the temperature will show in the display for 5 seconds and then return to the time display.
- If you do not change the setting, the unit will operate using the most recent setting.

TO CANCEL TIMER

Press the CANCEL button.

- The orange TIMER lamp on the unit will turn off.

OFF TIMER



CANCEL

1 Press the OFF TIMER button and set the time as desired.

- The time setting will change as you press the button as follows. Hold the button down to speed through the settings.



- The orange TIMER lamp on the unit will light.
- The time setting will count down to show the remaining time.

TO CANCEL TIMER

1 Press the CANCEL button.

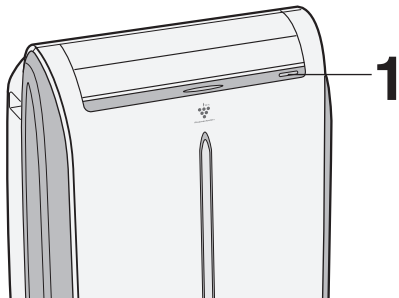
- The orange TIMER lamp on the unit will turn off.

NOTES

- Timer duration can be set from a minimum of half an hour to a maximum of 12 hours. Up to 9.5 hours, you can set in half-hour increments and from 10 to 12 hours, in 1-hour increments.
- The latest time setting will be memorized and will appear on the remote control display the next time you set the OFF TIMER or ON TIMER.
- The OFF TIMER and ON TIMER can not be set together. Only the most recent TIMER setting will be valid.
- If a power failure occurs while the OFF TIMER or ON TIMER is set, the TIMER setting will be cancelled and will not be retrieved even after the power is restored.

MAIN UNIT OPERATION

Use this mode when the remote control is not available.



1 Press the POWER button on the unit.

- The red OPERATION lamp on the unit will light.
- If the unit has not been unplugged since it was last operated, it will resume operation at its last settings.
- If the unit has been unplugged since it was last operated, it will resume operation in the cooling mode, set at 68°F. The fan speed set to AUTO.

TO TURN OFF

Press the POWER button again.

- The red OPERATION lamp on the unit will turn off.

DRAINAGE

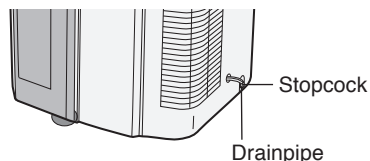
Prepare for drainage and drain out water within the unit in the following cases.

- When the unit stops operating and the TIMER, OPERATION and MEGA COOL lamps are blinking, the water tank is full and need to be drained.
- When the unit is not used for a long time.

1 Unplug the power plug and move the unit to a drain or outside.

2 Remove the stopcock from the drainpipe, and drain water within the unit.

3 Replace the stopcock to the drainpipe.

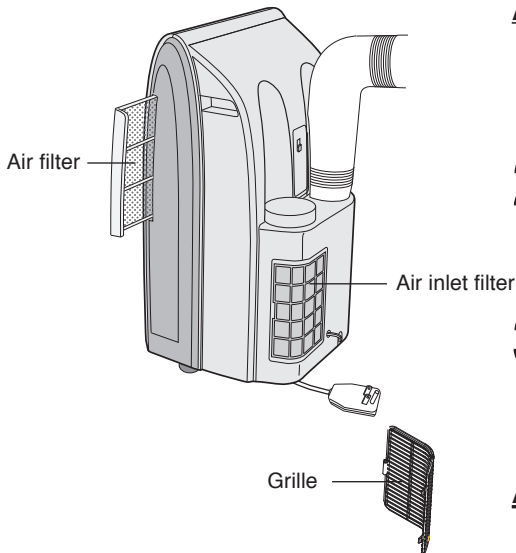


MAINTENANCE

Be sure to disconnect the power from the wall socket before performing any maintenance.

CLEANING THE FILTER

If the filter is clogged with dust, the airflow will be reduced, resulting in poor cooling performance. The filter should be cleaned every two weeks.



AIR FILTER

- 1 REMOVE THE FILTER**
 - Gently pull the filter handle to the right and slide the filter out of the unit.
- 2 CLEAN THE FILTER**
 - Use a vacuum cleaner to remove any dust. If the filter is very dirty, wash it with detergent and rinse carefully with clean water. Dry the filter in the shade before reinstalling them.
- 3 REINSTALL THE FILTER**
 - Hold the filter handle and gently push the filter back into place. Never operate the unit without the filter. Doing so may result in serious damage to the unit.

AIR INLET FILTER (For single-duct type)

Remove the grille and clean the air inlet filter with a vacuum cleaner.

CLEANING THE UNIT AND THE REMOTE CONTROL

Wipe them with a soft, dry cloth or with a cloth moistened with a mild soap. Carefully remove any residue by wiping with a damp cloth and dry completely. Avoid splashing water onto the unit. Water can dangerously damage the electrical insulation. Never use harsh chemicals or abrasive cleaners on any part of the unit. To avoid damaging the unit, do not use hot water (120°F/50°C or hotter) when cleaning.

MAINTENANCE AFTER AIR CONDITIONER SEASON

- 1** Perform drainage to drain out water within the unit.
- 2** Operate the unit in the FAN or VENTILATION mode for about half a day to thoroughly dry inside the unit.
- 3** Clean the filters, then reinstall them.

BEFORE CALLING FOR SERVICE

If the unit appears to be malfunctioning, check the following points before calling for a service.

AIR CONDITIONER DOES NOT OPERATE AT ALL

- Is the unit plugged in or is the plug loose?
- Has the fuse blown or is the circuit breaker tripped?
- Did you restart the unit within 3 minutes of a power failure?
If the power was off for less than 3 minutes when, you restarted the air conditioner, a protective device may cause the compressor to shut off, preventing cooling for about 5 minutes.
- Are the OPERATION, TIMER and MEGA COOL lamps blinking?
The water tank inside the unit is full. It must be drained. (See page 30)
- Check the power plug. (See page 22)

AIR CONDITIONER DOES NOT COOL PROPERLY

- Is it set to FAN, DEHUMIDIFICATION or VENTILATION mode?
Cooling does not take place in these modes. Change the MODE setting.
- Is the filter clogged with dust?
Clean the filter.
- Is the cooling coil frozen?
No air will blow out if the cooling coil is frozen.
Run the air conditioner in FAN mode with the fan speed set to "HIGH" until all ice dissipates.
- Is the temperature set properly?
- Is the window exposed to direct sunlight?
Close the curtains or blinds to minimize solar energy heating the room.
- Is the exhaust hose too long?
For efficient operation, make the hose as short as possible. The exhaust hose must not be twisted or bent.

SOUNDS

- The unit may seem rather loud for the first 2 to 3 minutes when the unit is turned on. This is the sound of the compressor starting-up and is perfectly normal.
- A soft, swishing noise can be heard immediately after the unit is turned on or off, and also during operation. This is the sound of the refrigerant flowing inside the unit.
- A low buzzing noise is emitted when the unit is generating Plasmacluster ions.
- This air conditioner evaporates water condensed during cooling operation within the unit through the exhaust air outlet. Although water flowing sound may be heard, this is normal.
- **An audible gurgling sound may be heard when the unit is operated on a gently sloping floor. Place the unit on a level floor.**

TIMER DOES NOT WORK PROPERLY

- If a power failure occurs while the TIMER is set, the TIMER setting will be cancelled and will not be retrieved even after the power is restored. This is normal for this unit.

THE UNIT FAILS TO REACT TO THE REMOTE CONTROL SIGNAL

- Check the batteries in the remote control. Replace if necessary.
- Try to send the signal again with the remote control pointed directly at the unit's signal receiver window.
- Check whether the remote control batteries are installed with the polarities properly aligned.

THE DISCHARGED AIR HAS AN ODOR

- Plasmacluster ion generator emit small traces of ozone which may produce an odor. These ozone emissions are below safety levels.