

Office Pro 36

Cooling Capacity	Btu/hr. @ 95°		
	At 60% Relative Humidity	36,000	
Dimensions	Width (Inches)	30	
	Depth (Inches)	44	
	Height (Inches)	52	
	Weight (Pounds)	440	
	Shipping Weight	540	
Electrical Characteristics	Power Supply (Volts)	208/230/1	
	Power Consumption (Kilowatts)	4.4	
	Current Consumption (Amperes)	19.7	
	Fuse Size (Amperes)	30	
	NEMA Plug Configuration	6-30	
	Min-max Voltage	195-250 Volt	
	Power Cord Gauge	10AWG (3 Core)	
	Power Cord Length (Feet)	6	
Compressor Characteristics	Compressor Type	Hermetic Scroll	
	R 22 Charge (Pounds)	2.4	
	Operating Conditions: Min-max °F	65°-95°F, 50% RH	
Fan Characteristics	Evaporator:		
	Fan Type	Centrifugal	
	Air Flow (CFM) High/Low	990/825	
	Max. External Static Pressure (Inches Of Water Gauge)	0.6	
	Condenser:		
	Fan Type	Centrifugal	
	Air Flow (CFM) High/Low	1480/1060	
	Max. External Static Pressure (Inches Of Water Gauge)	0.5	
	Safety Devices	Compressor Overload Relay	Yes
		Fan Motor Protection	Yes
Anti-freeze Thermostat		Yes	
Automatic Tank Shut-off		N/A	
Condensate Tank Capacity (Gallons)		2 @ 2.5 gal	
High-pressure Switch		Yes	
Compressor Short-cycle Protection		Yes	
Fan Mode Switch		Yes	
Automatic Restart		Yes	
Thermostat		Yes	
Control Panel		Programmable	
Thermostat Control		Electronic	
Miscellaneous Features	Operating Cost	\$0.	
	Humidity Removed @ 60% RH	2.16	
	Accommodates Condensate Pump	Yes	
	Sound Level (Db) High/Low	65/62	
	Max Evaporator Ducting Length*(Ft.)	40	
	Max Condenser Ducting Length*(Ft.)	60	

**subtract 10 Ft. For Every 90° Bend*

800.367.8675 • www.spot-coolers.com

Copyright © 2006 Spot Coolers, Inc. All rights reserved.

Spot Coolers

Office Pro 36

Power Supply 208/230 volts 60 hertz 1 phase 19.7 amperes

Width 30 inches

Depth 44 inches

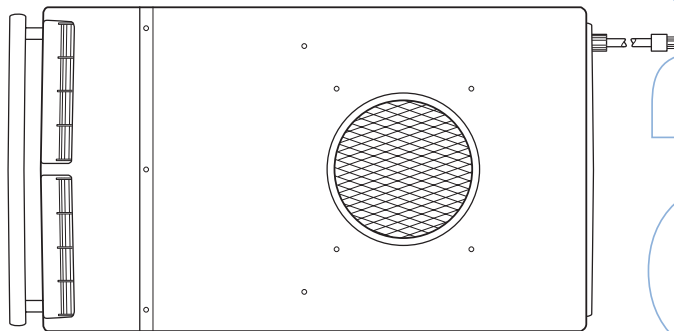
Height 52 inches

Weight (net/shipping) lbs 440/540

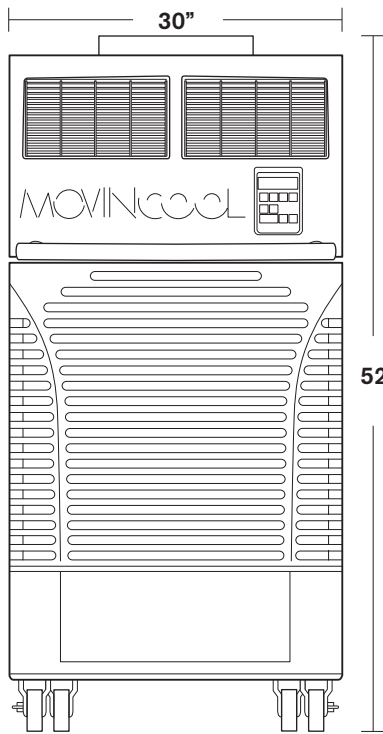
All models are backed by a 12-month warranty with 36 months for the compressor.

All coils are treated with an acrylic resin coating for extended life and corrosion resistance.

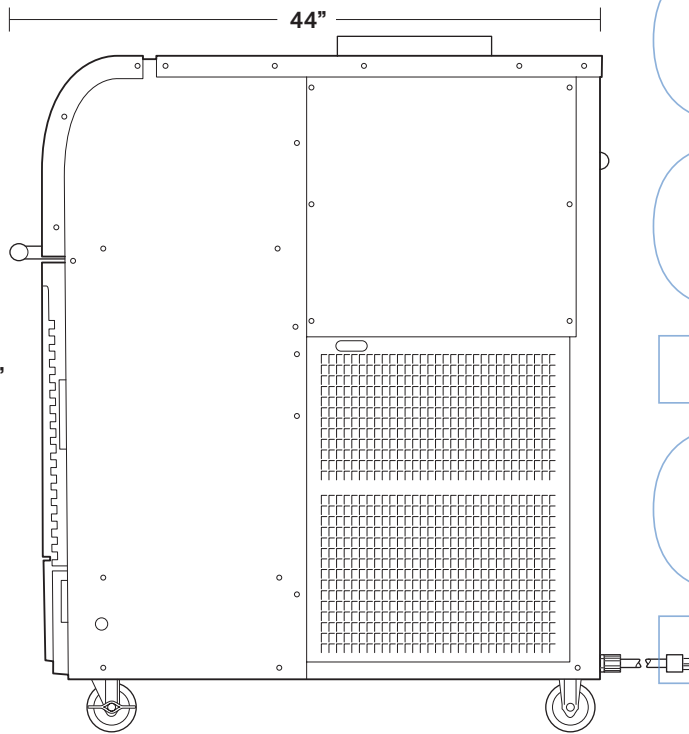
TOP



FRONT



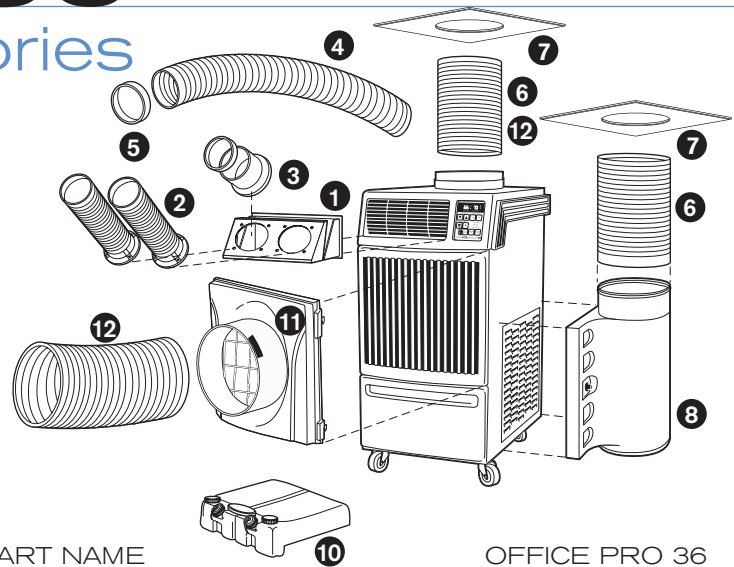
SIDE



Spot Coolers

Office Pro 36

Accessories



AUTO CONDENSATE REMOVAL

PART NAME

OFFICE PRO 36

Condensate Pump Kit

220V pump includes 3/8" diameter x 20' length of hose.

OP36-10

Condensate Tank

Drain tank storage for condensation. Requires condensate float, sold separately.

Included

CONDENSER AIR REMOVAL

Removing exhaust is easy. Simply replace the existing ceiling tile with ceiling tile accessory and 16" flexible hose. That's it!

Warm Air Flexible Duct

16" diameter wire-reinforced, accordion-style duct in 7' length for condenser exhaust or evaporator intake. Includes clamp.

OP36-6

Ceiling Tile

24" x 24" white tile with 16" hole for warm air duct.

OP36-7

MAKE-UP AIR

When balanced air flow is required, attach the air plenum with a duct from the side of the unit to an outside air source. The air to the condenser is pulled from outside the room to eliminate problems associated with negative air pressure.

Air Duct

16" diameter wire-reinforced, accordion-style duct in 25' lengths for condenser exhaust or evaporator intake. Includes clamp.

OP36-6, 12

Ceiling Tile

24" x 24" white tile with 16" hole for warm air duct.

OP36-7

Condenser Air Plenum

White plastic plenum for return air to condenser. Hinged for filter cleaning.

OP36-8

SPOT or REMOTE COOLING

To use the Office Pro to spot cool specific areas, use the nozzle adapter in place of the standard louvers. Attach cold air ducts to the adapter to cool remote hot spots. Trim rings give a finished look and keep the ducts from unraveling. To improve efficiency, use the evaporator air plenum to recirculate cool air.

Nozzle Adapter Kit

Two-piece metal frame converts air-flow from louvers to four 6" nozzles or two 8" cold air ducts. Includes mounting screws.

OP36-1

Nozzle Kit

6" diameter white plastic ducts that extend up to 3.5' in length. Includes flange, mounting screws and trim ring.

OP36-2

Cold Air Flange Kit

6" diameter gray metal flange with wire clamp and mounting screws. Use with cold air ducts.

OP36-3

Cold Air Self-Supported Duct

6" or 8" adjustable diameter white polypropylene duct that extends from 6.5' to 10' in length.

OP36-4

Cold Air Flexible Duct

8" diameter wire reinforced, accordion-style duct in 25' lengths (not shown).

OP36-4A

Trim Ring

6" diameter black end-cap for cold air self-supported duct.

OP36-5

Evaporator Air Plenum

White plastic plenum for return air to evaporator.

OP36-11

800.367.8675 • www.spot-coolers.com

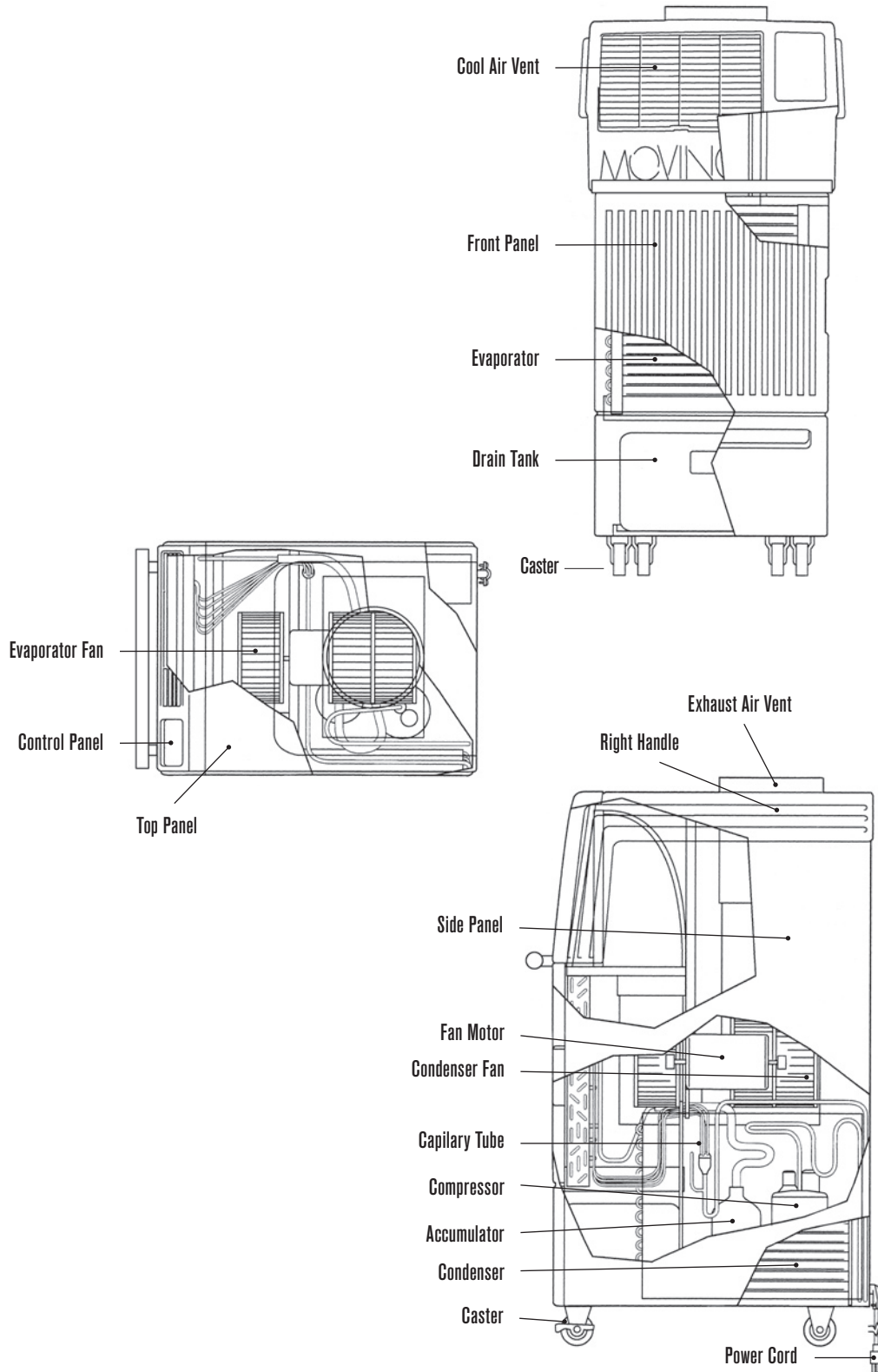
Copyright © 2006 Spot Coolers, Inc. All rights reserved.

Office Pro 36

Construction Diagram

All models are backed by a 12-month warranty with 36 months for the compressor.

All coils are treated with an acrylic resin coating for extended life and corrosion resistance.



SPOT COOLERS