

Office Pro 24

Cooling Capacity	Btu/hr. @ 95°	
	At 60% Relative Humidity	23,300
Dimensions	Width (Inches)	21
	Depth (Inches)	27
	Height (Inches)	47
	Weight (Pounds)	210
	Shipping Weight	250
Electrical Characteristics	Power Supply (Volts)	208/230 1phase
	Power Consumption (Kilowatts)	2.7
	Current Consumption (Amperes)	11.2
	Fuse Size (Amperes)	20
	NEMA Plug Configuration	6-20
	Min-max Voltage	195-250 Volt
	Power Cord Gauge	12AWG (3 Core)
Power Cord Length (Feet)	6	
Compressor Characteristics	Compressor Type	Hermetic Rotary
	R 22 Charge (Pounds)	2.14
	Operating Conditions: Min-max °F	65°-95°F, 50% RH
Fan Characteristics	Evaporator:	
	Fan Type	Centrifugal
	Air Flow (CFM) High/Low	630/545
	Max. External Static Pressure (Inches Of Water Gauge)	0.5
	Condenser:	
	Fan Type	Centrifugal
	Air Flow (CFM) High/Low	870/760
Max. External Static Pressure (Inches Of Water Gauge)	0.16	
Safety Devices	Compressor Overload Relay	Yes
	Fan Motor Protection	Yes
	Anti-freeze Thermostat	Yes
	Automatic Tank Shut-off	Yes
	Condensate Tank Capacity (Gallons)	5
	High-pressure Switch	Yes
	Compressor Short-cycle Protection	Yes
	Fan Mode Switch	Yes
	Automatic Restart	Yes
	Thermostat	Yes
	Control Panel	Programmable
Thermostat Control	Electronic	
Miscellaneous Features	Operating Cost	\$0.194
	Humidity Removed @ 60% RH	1.26
	Accommodates Condensate Pump	Yes
	Sound Level (Db) High/Low	63/61
	Max Evaporator Ducting Length*(Ft.)	50
Max Condenser Ducting Length*(Ft.)	45	

**subtract 10 Ft. For Every 90° Bend*

800.367.8675 • www.spot-coolers.com

Copyright © 2004 Spot Coolers, Inc. All rights reserved.

Office Pro 24

Power Supply 208/230 volts 60 hertz 1 phase 11.2 amperes

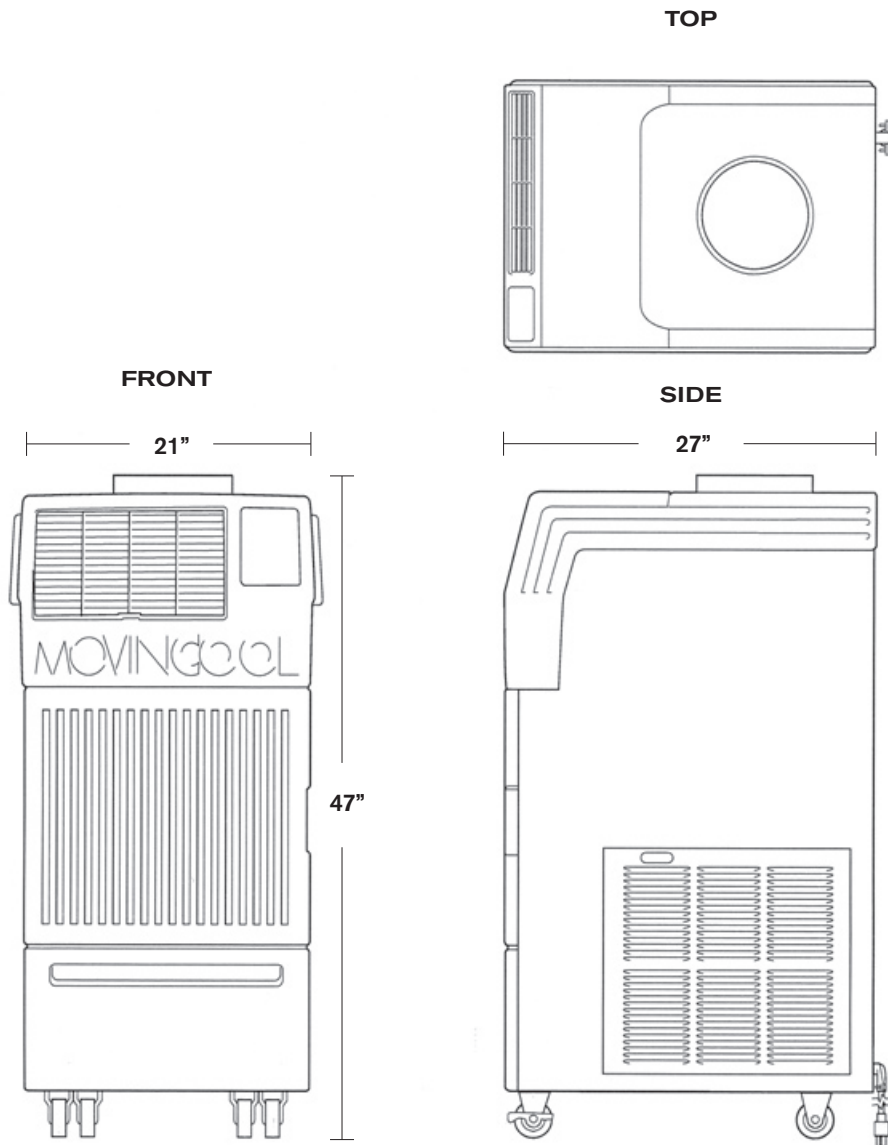
Width 21 inches

Depth 27 inches

Height 47 inches

Weight (net/shipping) lbs 210/250

All models are backed by a 12-month warranty with 36 months for the compressor.
All coils are treated with an acrylic resin coating for extended life and corrosion resistance.



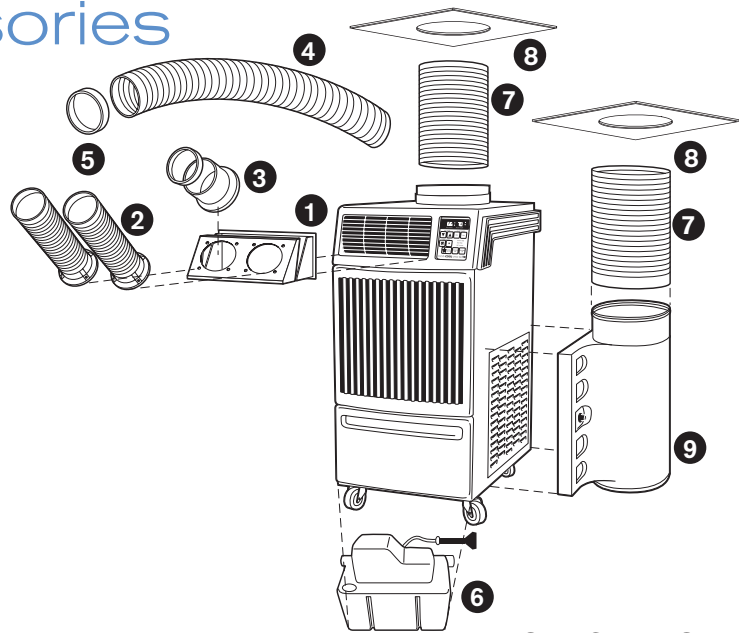
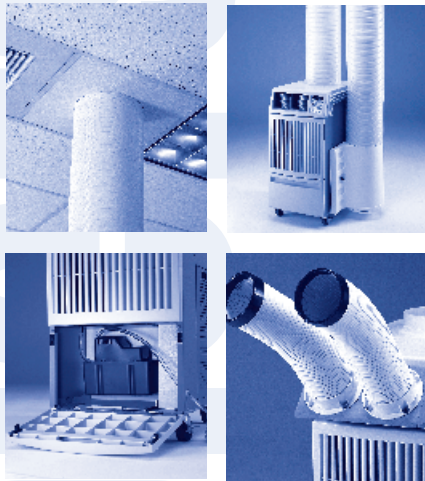
800.367.8675 • www.spot-coolers.com

Copyright © 2004 Spot Coolers, Inc. All rights reserved.

Spot Coolers

Office Pro 24

Accessories



AUTO CONDENSATE REMOVAL

Why bother with emptying the drain tank when you can install a condensate pump to remove the water automatically! This pump has an 18-foot lift capacity to reach virtually any remote drain.

PART NAME

Condensate Pump Kit
220V pump kit includes 3/8" diameter x 20' length of hose and installation hardware.

OFFICE PRO 24

OP24-6

CONDENSER AIR REMOVAL

Removing exhaust is easy. Simply replace the existing ceiling tile with ceiling tile accessory and 12" flexible hose. That's it!

Warm Air Duct
12" diameter white, polypropylene plastic duct that extends 7' in length.

OP24-7

Ceiling Tile
24" x 24" white tile with 12" hole for warm air self-supported duct.

OP24-8

MAKE-UP AIR

When balanced air flow is required, attach the air plenum with a duct from the side of the unit to an outside air source. The air to the condenser is pulled from outside the room to eliminate problems associated with negative air pressure.

Air Duct
12" diameter white, polypropylene plastic duct that extends 7' in length.

OP24-7

Ceiling Tile
24" x 24" white tile with 12" hole for warm air duct.

OP24-8

Condenser Air Plenum
White plastic plenum for return air to condenser. Hinged for filter cleaning.

OP24-9

SPOT or REMOTE COOLING

To use the Office Pro to spot cool specific areas, use the nozzle adapter in place of the standard louvers. Attach cold air ducts to the adapter to cool remote hot spots. Trim rings give a finished look and keep the ducts from unraveling.

Nozzle Adapter Kit
Two-piece metal frame converts air-flow from louvers to nozzles or cold air ducts. Includes mounting screws.

OP24-1

Nozzle Kit
6" diameter white plastic duct that extends up to 3.5' in length. Includes flange, mounting screws and trim ring.

OP24-2

Cold Air Flange Kit
6" diameter gray metal flange with wire clamp and mounting screws. Use with cold air ducts.

OP24-3

Cold Air Self-Supported Duct
6" adjustable diameter white polypropylene duct that extends from 6.5' to 10' in length.

OP24-4

Trim Ring
6" diameter black end-cap for cold air self-supported duct.

OP24-5

800.367.8675 • www.spot-coolers.com

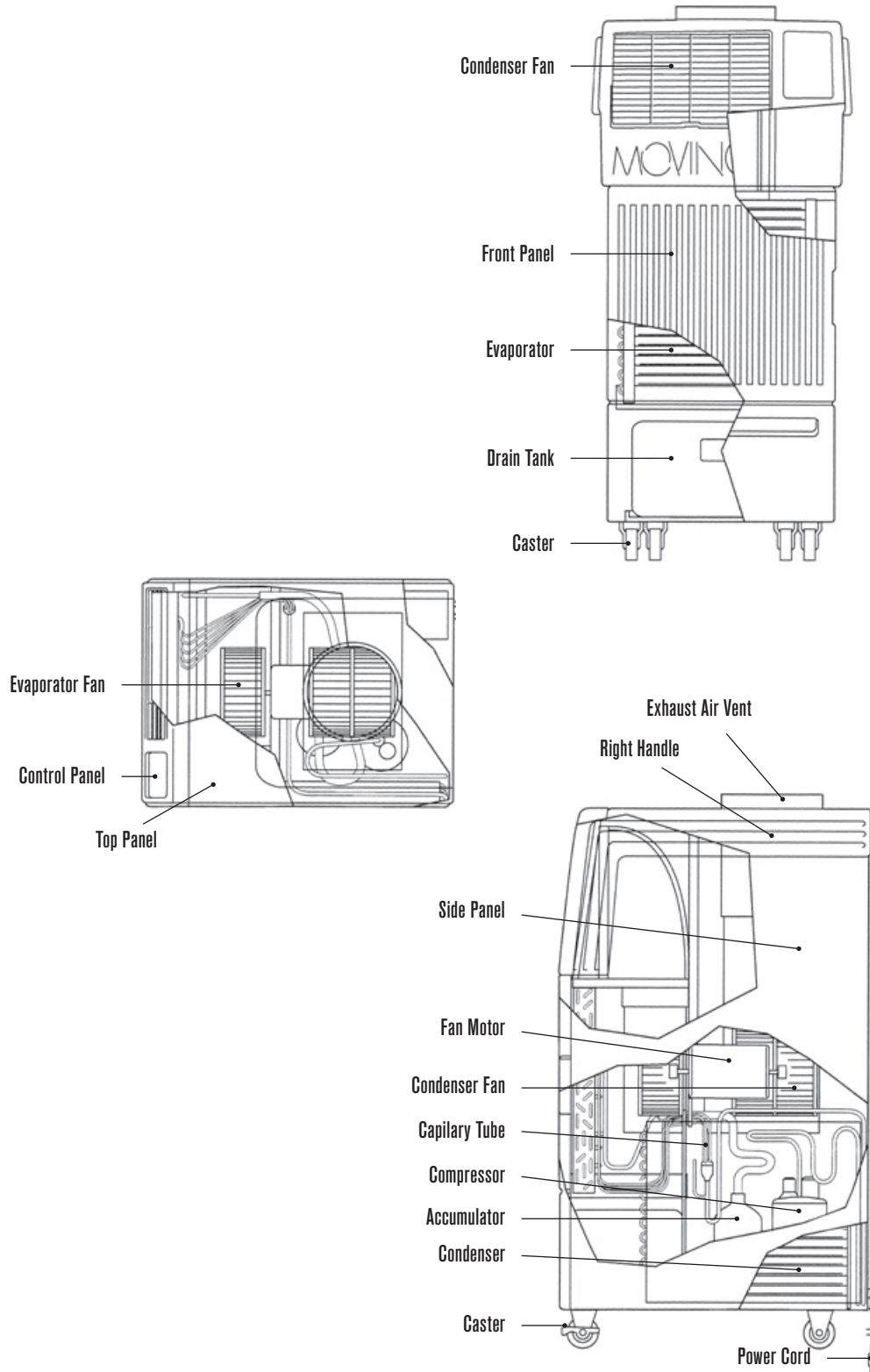
Copyright © 2004 Spot Coolers, Inc. All rights reserved.

Office Pro 24

Construction Diagram

All models are backed by a 12-month warranty with 36 months for the compressor.

All coils are treated with an acrylic resin coating for extended life and corrosion resistance.



SPOT COOLERS