

Agio

Integrated Collection

a stylish and space-saving alternative to the microwave hood

- under cabinet tiltout rangehood
- black or white glass front
- optional stainless front kit
- accepts drawer panels as front
- closes flush with cabinets
- easily replaces existing hoods
- 230 cfm
- 1 glass covered fluorescent light
- 3 speed control
- dishwasher safe grease filters
- convertible to ductless
- top or direct rear venting
- easy mounting system
- one range: 4.0 - 6.0
- 3 1/4" x 10" duct

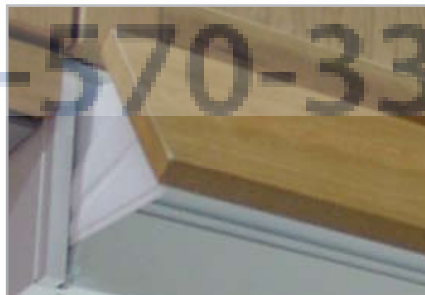


For a seamless look in the kitchen, the Agio is your integrated solution. With a black or white glass front that pairs well with ceran cooktops, the Agio tilts in, flush with your cabinets, neatly tucking the hood away. For total integration, the glass front can be replaced with material to match your cabinets, hiding the hood completely.



Size | Color

Size Color	Model #
24 White	AGIO24WH
24 Black	AGIO24BK
30 White	AGIO30WH
30 Black	AGIO30BK
36 White	AGIO36WH
36 Black	AGIO36BK



A patented front panel hinge system allows the rangehood to tilt out when in use and then tilt back in flush with your cabinets to allow easy access to the cabinets above. The direct rear venting option frees up all the cabinet space above.

a Stainless Front Kits

c	To replace the black or white glass front with a stainless steel panel	
c		
e	24 Stainless	6000024
s	30 Stainless	6000030
s	36 Stainless	6000036

o Charcoal Filters FILTER3

r For ductless installations, high quality, heavy duty filters ensure the removal of smoke and odors from the kitchen.

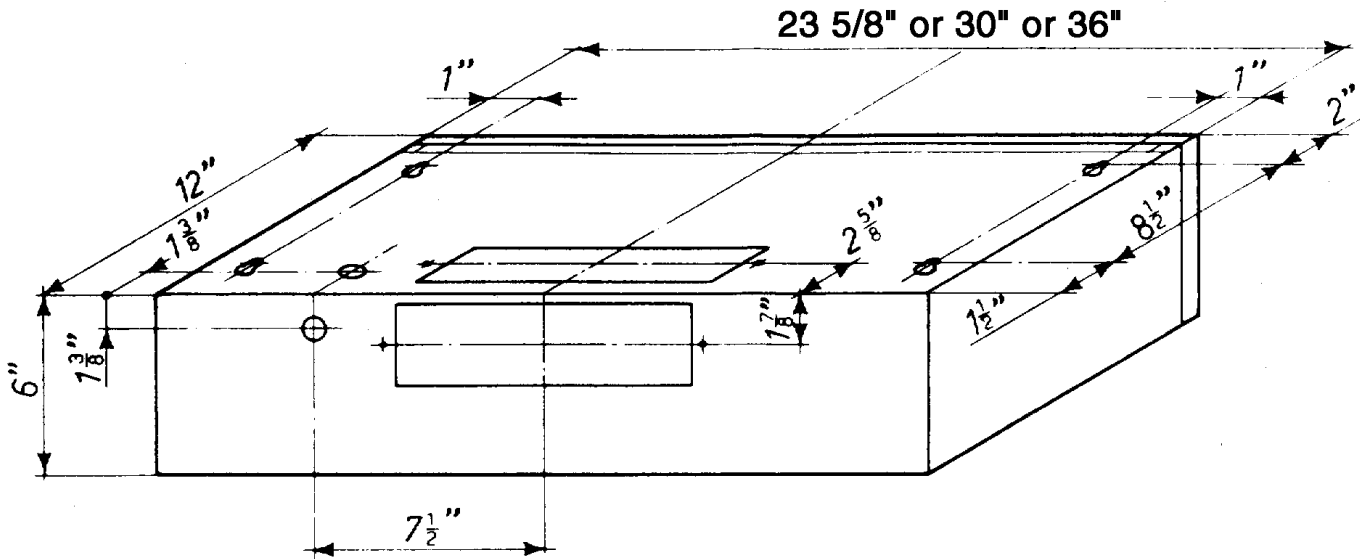


When converted to ductless, takes up no space in the cabinet

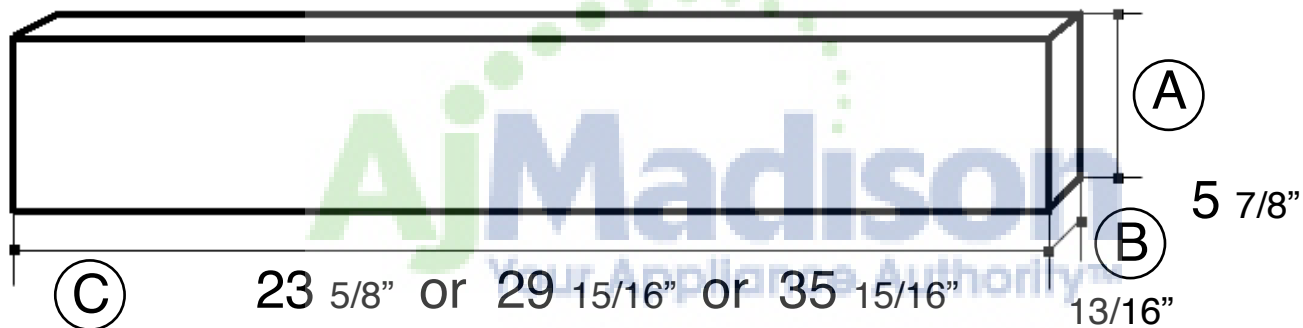


The glass front can be replaced with a standard drawer front or a custom piece to integrate the Agio into the cabinetry.

Dimensional Diagram



Custom Front Panel Dimensions - for replacing the entire front panel*



* If you wish to keep the frame of the front panel and only replace the glass panel, the dimensions are as follows: A=5 11/16", B=1/8", C= 23 6/16" (for 24" model) or 29 11/16" (for 30" model) or 35 11/16" (for 36" model). The glass panel is 1/8" thick, but the frame is adjustable to accommodate a thinner panel like stainless steel.

Pre-Planning Your Installation - Important: Consult the installation instructions before you begin installing this rangehood. The recommended height to install this hood off the cooktop is a minimum of 24" and a maximum of 30" for maximum effectiveness. Also consult the cooktop manufacturer's recommendation.

Pre-Planning Your Ductwork - Important: Consult the installation instructions before you begin installing this rangehood.

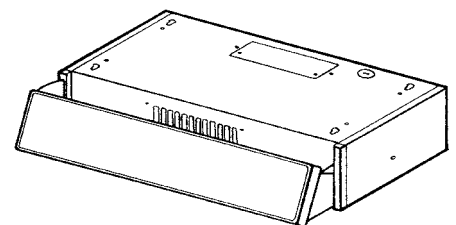
Make your ductrun as straight and short as possible. The ductrun should not exceed 25 equivalent feet if ducted with 3 1/4" by 10" rectangular duct. Count 45° angles as 3 feet, 90° elbows as 5 feet, and 90° flat elbows as 12 feet.

For best results, use no more than three 90° elbows. Make sure that there is a minimum of 24" of straight duct between elbows if more than one is used. Do not install two elbows together. If you must elbow right away, do it as far away from the hood's exhaust opening as possible.

Ductless Installations

For installations where ductwork is impossible or highly impractical Charcoal Filters, which attach to the blower assembly, absorb smoke and odors.

The blower must be positioned with the exhaust pointing forward (so that the exhaust exits from the front grill).



WARNING! Product specifications are subject to change without notification. Consult the installation instructions before you begin installing this rangehood.