

AGA Marvel
1260 E. VanDeinse St.
Greenville MI 48838

Toll free phone: 800-223-3900
Fax: 616-754-9690
www.agamarvel.com

MERCURY

THANK YOU for purchasing this high-quality product. If you should experience a problem not covered in TROUBLESHOOTING, please visit our website at www.agamarvel.com for additional information. If you still need assistance, call us at 1-800-223-3900.

You will need your model and serial number, located on the inside wall of the refrigerator compartment.

Mercury Model MMCFDR23

Refrigerator User Instructions

FINDING INFORMATION AND SAFETY

Table of Contents

Table of contents	2
Safety	2
Unpacking your appliance	3
Electrical information	4
Feature overview	5
Product dimensions	6
Installation	7
Removing the doors	11
Connecting the water supply	13
Controls	14
Ice maker	16
Storage features	17
Storing food and saving energy	21
Normal operating sounds	22
Changing water and air filters.....	23
Care and cleaning	25
Replacing LED lights	27
Solutions to common problems	28
Warranty	31

Important Safety Instructions

Warnings and safety instructions appearing in this guide are not meant to cover all possible conditions and situations that may occur. Common sense, caution, and care must be exercised when installing, maintaining, or operating this appliance.

Recognize Safety Symbols, Words, and Labels.



WARNING

WARNING-You can be killed or seriously injured if you do not follow these instructions.



CAUTION

CAUTION-Hazards or unsafe practices which could result in personal injury or property / product damage.

NOTE

CFC/HCFC DISPOSAL

Your old refrigerator may have a cooling system that used CFCs or HCFCs (chlorofluorocarbons or hydrochlorofluorocarbons). CFCs and HCFCs are believed to harm stratospheric ozone if released to the atmosphere. Other refrigerants may also cause harm to the environment if released to the atmosphere.

If you are throwing away your old refrigerator, make sure the refrigerant is removed for proper disposal by a qualified technician. If you intentionally release refrigerant, you may be subject to fines and imprisonment under provisions of environmental legislation.



CAUTION

- Do not store or use gasoline or other flammable liquids near this or any other appliance. Read product labels for warnings regarding flammability and other hazards.
- Do not operate the refrigerator in the presence of explosive fumes.
- Avoid contact with any moving parts of the automatic ice maker.



WARNING

State of California Proposition 65 Warning:

This product contains one or more chemicals known to the State of California to cause birth defects or other reproductive harm..



WARNING

State of California Proposition 65 Warning:

This product contains one or more chemicals known to the State of California to cause cancer.

UNPACKING YOUR APPLIANCE



WARNING

EXCESSIVE WEIGHT HAZARD

Use two or more people to move product.
Failure to do so can result in personal injury.

Remove Interior Packaging

Your appliance has been packed for shipment with all parts that could be damaged by movement securely fastened. Remove internal packing materials and any tape holding internal components in place. The owners manual is shipped inside the product in a plastic bag along with the warranty registration card, and other accessory items.

Important

Keep your carton and packaging until your appliance has been thoroughly inspected and found to be in good condition. If there is damage, the packaging will be needed as proof of damage in transit. Afterwards please dispose of all items responsibly.



WARNING

WARNING - Dispose of the plastic bags which can be a suffocation hazard.

Note to Customer

This merchandise was carefully packed and thoroughly inspected before leaving our plant. Responsibility for its safe delivery was assumed by the retailer upon acceptance of the shipment. Claims for loss or damage sustained in transit must be made to the retailer.

NOTE

DO NOT RETURN DAMAGED MERCHANDISE TO THE MANUFACTURER - FILE THE CLAIM WITH THE RETAILER.



CAUTION

If the appliance was shipped, handled, or stored in other than an upright position for any period of time, allow the appliance to sit upright for a period of at least 24 hours before plugging in. This will assure oil returns to the compressor. Plugging the appliance in immediately may cause damage to internal parts.

Warranty Registration

It is important you send in your warranty registration card immediately after taking delivery of your appliance or you can register online at www.agamarvel.com.

The following information will be required when registering your appliance.

Model Number

Serial Number

Date of Purchase

Dealer's name and address

Online registration
available at
www.agamarvel.com

The service number and serial number can be found on the serial plate which is located inside the right side refrigerator cabinet on the right side of the cabinet liner. (See figure 1).



Figure 1



WARNING

WARNING - Help Prevent Tragedies

Child entrapment and suffocation are not problems of the past. Junked or abandoned refrigerators are still dangerous - even if they sit out for "just a few hours".

If you are getting rid of your old refrigerator, please follow the instructions below to help prevent accidents.

Before you throw away your old refrigerator or freezer:

- Take off the doors or remove the drawers.
- Leave the shelves in place so children may not easily climb inside.

ELECTRICAL INFORMATION

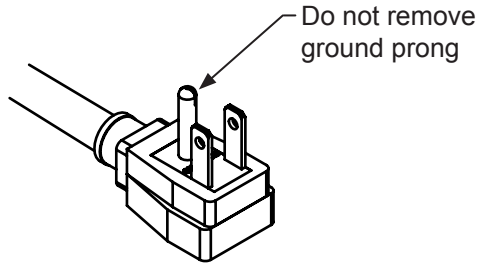


Figure 2

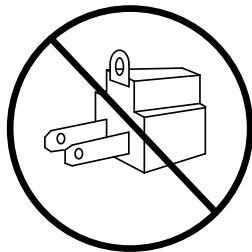


Figure 3

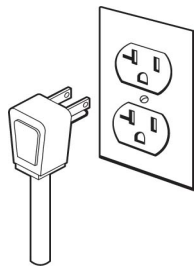


Figure 4
Grounding type
wall receptacle

Electrical information



WARNING

You must follow these guidelines to ensure that your refrigerator's safety mechanisms are operating correctly.

- The refrigerator must be plugged into its own dedicated 115 Volt, 60 Hz, AC-only non-GFCI electric outlet. The power cord of the appliance is equipped with a three-prong grounding plug for your protection against electrical shock hazards. It must be plugged directly into a properly grounded three-prong receptacle. The receptacle must be installed in accordance with local codes and ordinances. Consult a qualified electrician. **Do not use an extension cord or adapter plug.**
- If the power cord is damaged, it should be replaced by the manufacturer, service technician, or a qualified person.
- Never unplug the refrigerator by pulling on the power cord. Always grip the plug firmly and pull straight out from the receptacle to prevent damaging the power cord.
- To avoid electrical shock, unplug the refrigerator before cleaning and before replacing a light bulb or LED light.
- Performance may be affected if the voltage varies by 10% or more. Operating the refrigerator with insufficient power can damage the compressor. Such damage is not covered under your warranty.
- Do not plug the unit into an outlet controlled by a wall switch or pull cord to prevent the refrigerator from being turned off accidentally.



CAUTION

To turn off power to your refrigerator, unplug the power cord from the wall outlet.

FEATURE OVERVIEW

Understanding features and terms

Your refrigerator is designed for optimal convenience and storage flexibility. The illustration below is provided to assist you with familiarizing yourself with product features and terminology.

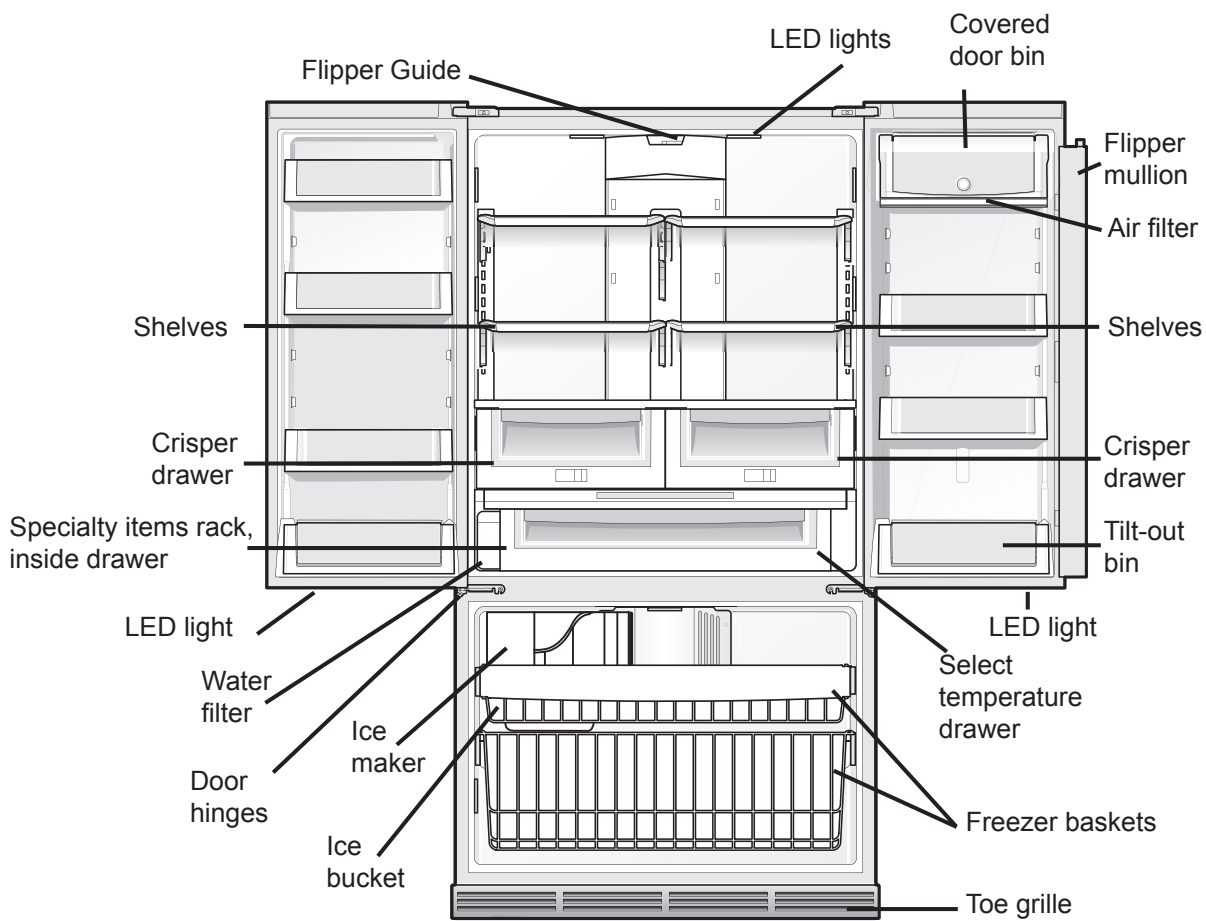
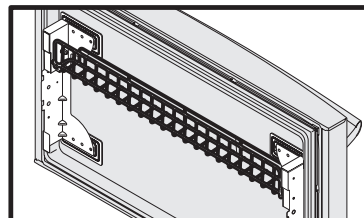


Figure 5

Model is shown without freezer door cover



Wire tilt-out shelf
(inside freezer drawer)

PRODUCT DIMENSIONS MMCFDR23



Dimensions

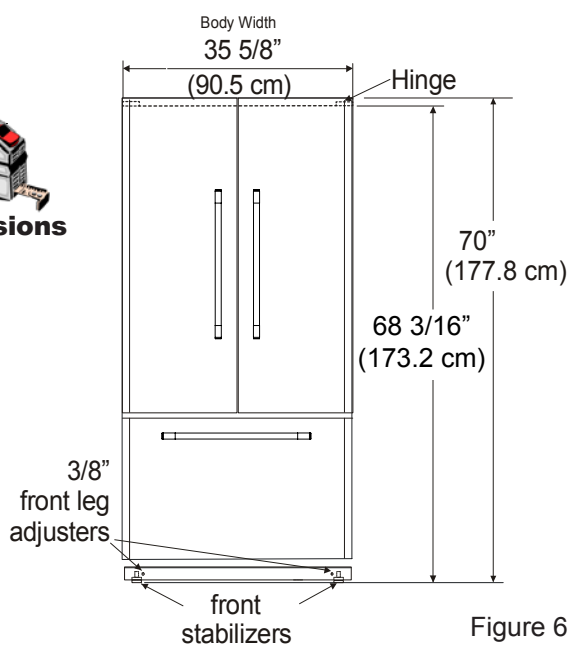
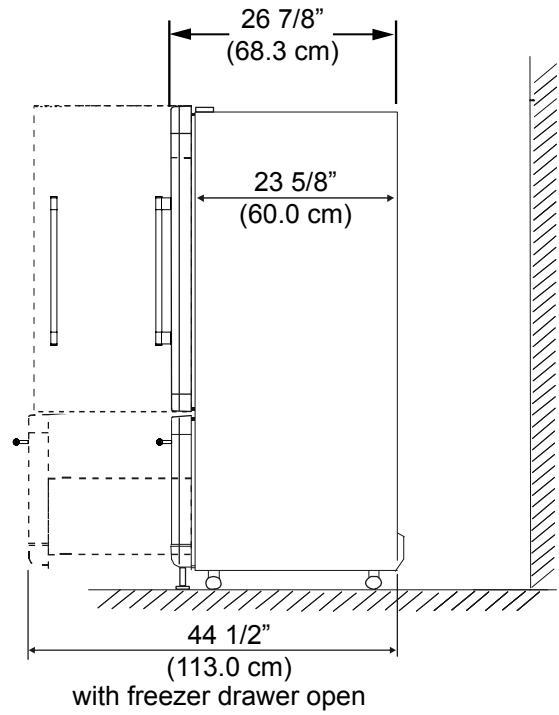
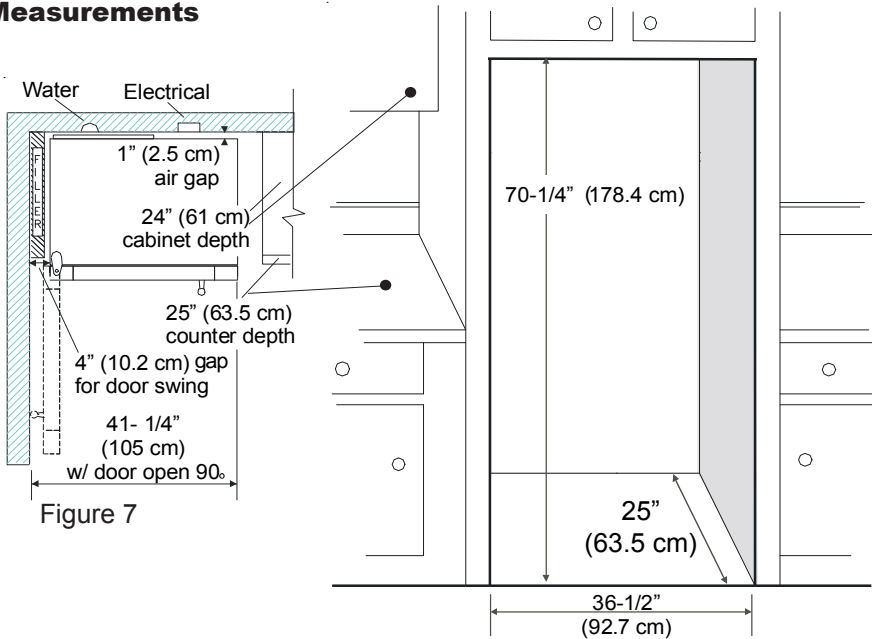


Figure 6



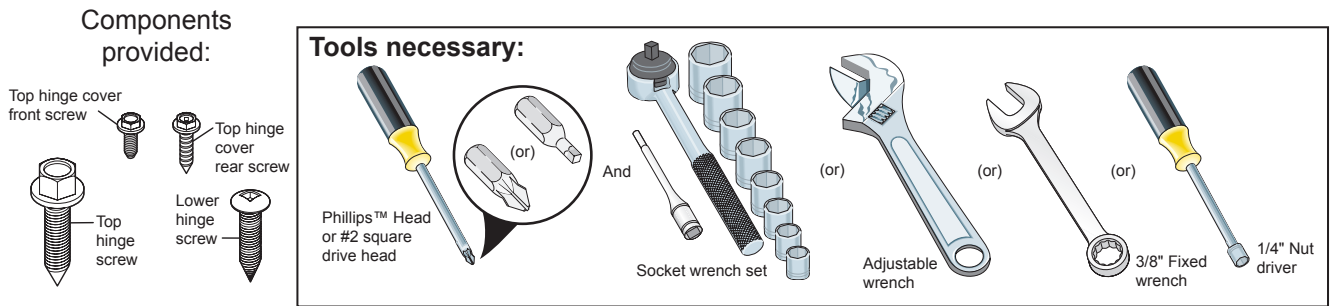
Rough In Measurements



INSTALLATION

Required tools

You will need the following tools:



This Use & Care Guide provides general installation and operating instructions for your model. We recommend using a service or kitchen contracting professional to install your refrigerator. Use the refrigerator only as instructed in this Use & Care Guide. **Before starting the refrigerator, follow these important first steps.**

Location

- Choose a place that is near a grounded, non-GFCI, electrical outlet. Do Not use an extension cord or an adapter plug.
- If possible, place the refrigerator out of direct sunlight and away from the range, dishwasher, or other heat sources.
- The refrigerator must be installed on a floor that is level and strong enough to support a fully loaded refrigerator.
- Consider water supply availability for models equipped with an automatic ice maker.

CAUTION

DO NOT install the refrigerator where the temperature will drop below 55°F (13°C) or rise above 110°F (43°C). The compressor will not be able to maintain proper temperatures inside the refrigerator.

DO NOT block the toe grille on the lower front of your refrigerator. Sufficient air circulation is essential for the proper operation of your refrigerator.

Installation

- Allow the following clearances for ease of installation, proper air circulation, and plumbing and electrical connections:

Sides & Top	3/8 inch (9.5 mm)
Back	1 inch (25.4 mm)

NOTE

If your refrigerator is placed with the door hinge against a wall, you may have to allow additional space so the door can be opened wider.

Door opening

NOTE

The refrigerator doors are designed to shut by themselves within a 20 degree opening.

Your refrigerator should be positioned to allow easy access to a counter when removing food. For best use of refrigerator drawers and freezer baskets, the refrigerator should be in a position where both can be fully opened.

Guidelines for final positioning of your refrigerator

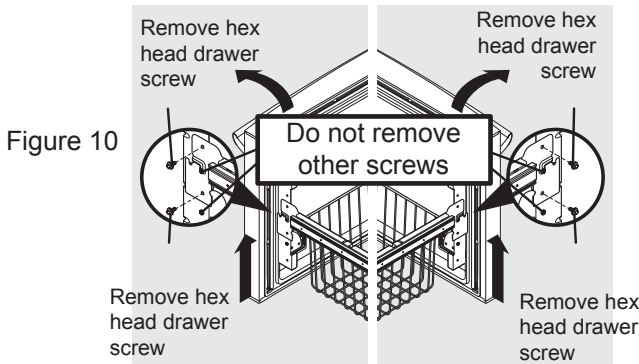
- All four corners of the cabinet must rest firmly on the floor.
- The cabinet should be level at the front and rear.
- The sides should tilt 1/4 inch (6 mm) from front to back (to ensure that doors close and seal properly).
- Doors should align with each other and be level.

Most of these conditions can be met by raising or lowering the adjustable front rollers.

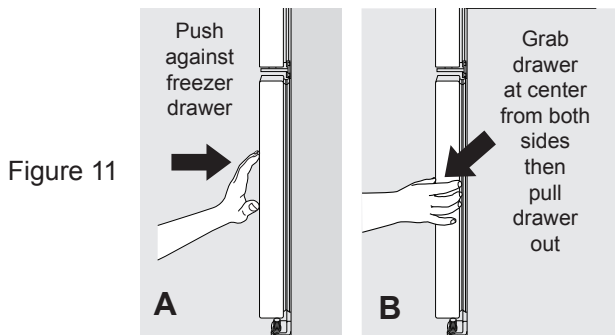
INSTALLATION

Leveling Freezer Drawer (if necessary)

1. Check gasket seal around top, bottom, and sides of freezer drawer.
2. If gasket is not sealed, open drawer and slightly loosen four drawer screws (two on each side) to allow drawer to rotate (see illustration).
3. Close drawer and recheck the seal on the gasket (A). Open the drawer grabbing by the sides in the center (B). Be careful not to rotate the drawer.



4. Tighten four drawer screws.
5. Recheck gasket seal.



Level Refrigerator & Adjust Doors (if necessary)

Guidelines for final positioning of your refrigerator:

- All four corners of the cabinet must rest firmly on the floor.
- The sides should tilt $\frac{1}{4}$ inch (6 mm) from front to back (to ensure that doors close and seal properly).
- Doors should align with each other and be level.

Most of these conditions can be met by raising or lowering the adjustable front rollers.

To level the cabinet using the front rollers:

1. Slightly open freezer drawer.
2. Remove the toe grille. See Figure 13.

Figure 13: Remove screws and then gently pull forward.

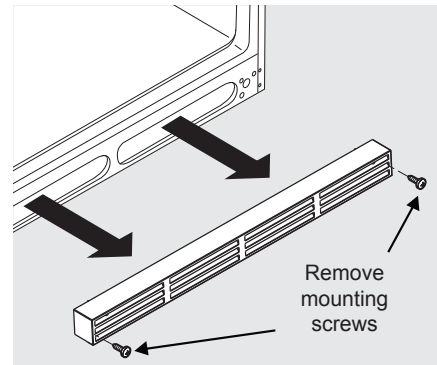


Figure 12

3. You can raise or lower each door. Use a $\frac{3}{8}$ inch socket wrench to turn the adjustment screws (one per side).
To raise: turn adjustment screw clockwise.
To lower: turn adjustment screw counterclockwise.
4. Ensure both doors are bind-free with their seals touching the cabinet on all four sides and that cabinet is stable.
5. After unit is leveled, lower anti-tip leg until it contacts the floor.

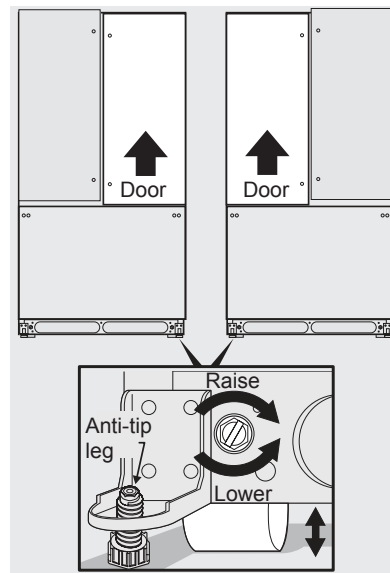


Figure 13

6. Install the toe grille by fitting into place (replacing screws on some models).

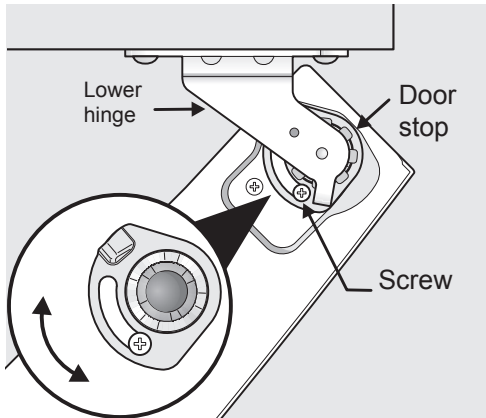
INSTALLATION

To adjust the door stop:

Door stop is adjustable between 85 to 145 degrees.

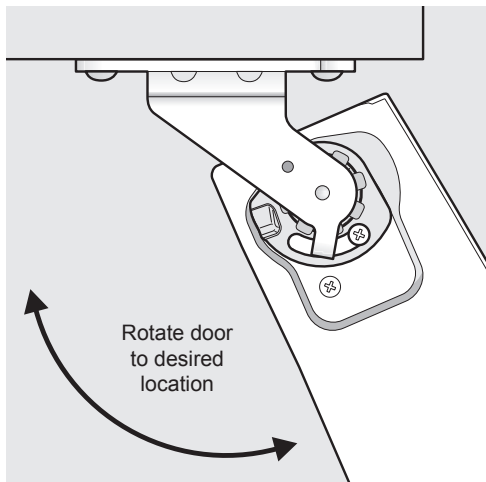
NOTE

View shown is looking up at the bottom of the refrigerator door.



Adjustable door stop Figure 14

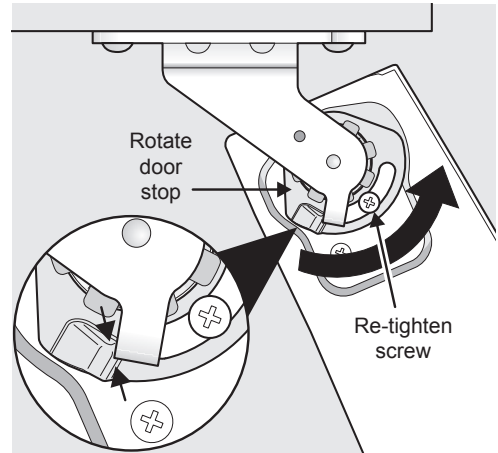
1. Open door to provide access to screw.
2. Loosen screw.
3. Adjust door to desired location.



Adjusting door Figure 15

4. Rotate door stop until it makes contact with the lower hinge.

5. Re-tighten screw.



Re-tighten screw Figure 16

6. Ensure door stops in desired location before resuming normal use.

INSTALLATION

To adjust the flipper mullion:

1. Loosen the screw located on the flipper mullion hinge.

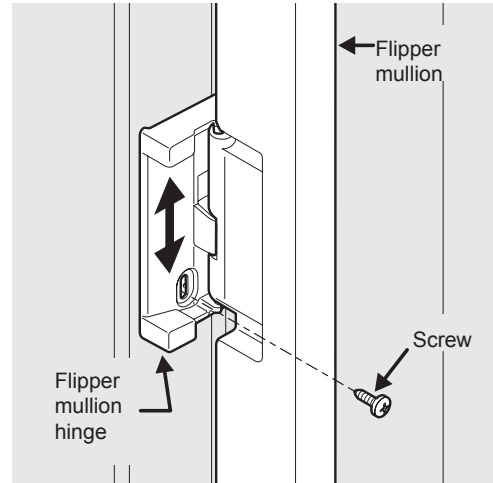


Figure 17

Adjusting flipper mullion screw

2. Adjust flipper mullion height. For proper connection with the flipper mullion guide, there should be a separation about the thickness of a coin (0.060 inches, or 1.5 mm) between the guide and flipper mullion.

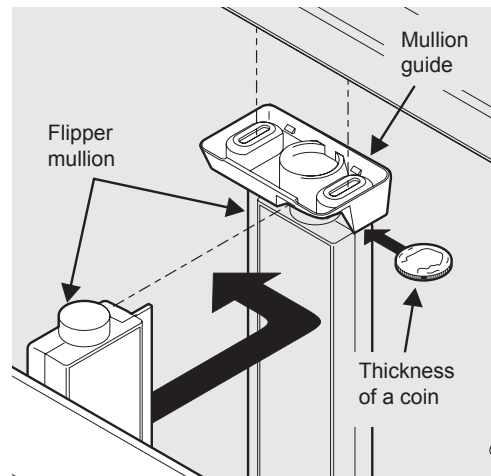


Figure 18

Adjusting flipper mullion height

3. Re-tighten screw.

REMOVING THE DOORS

Getting through narrow spaces

If your refrigerator will not fit through an entrance area, you can remove the doors. Check first by measuring the entrance.

To prepare for removing the doors:

1. Make sure the electrical power cord is unplugged from the wall outlet.
2. Open the freezer drawer and remove the toe grille (see "Installation" section).
3. Remove any food from the door shelves and close the doors.

To remove the top hinge covers:

1. Remove the two screws from each cover over the top door hinges.
2. Lift inside edge of hinge cover and tilt back.

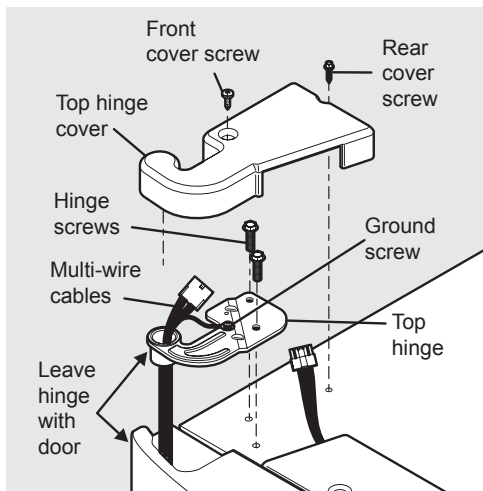


Figure 19

NOTE

DO NOT remove the ground screw from hinge.

To remove the refrigerator doors:

1. Trace lightly around the door's top hinges with a pencil. This makes reinstallation easier.

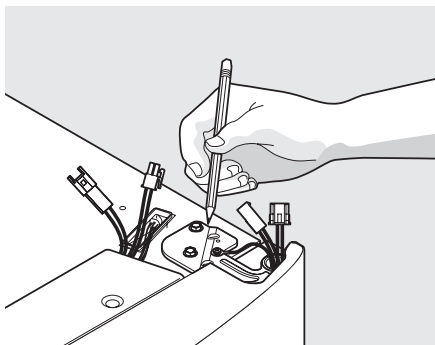


Figure 20

2. Disconnect the harness by grasping both sides of the connector firmly, depress the latch, and pull apart. Remove the two screws from the top hinge. Lift the door off of the bottom hinge and set it aside.

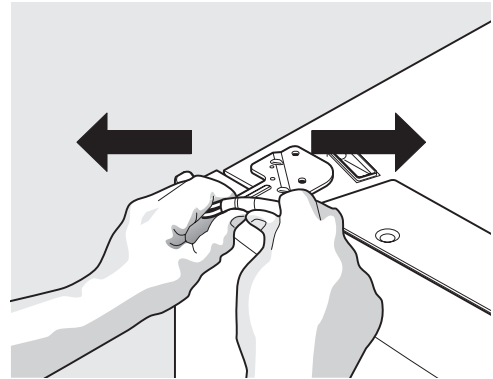


Figure 21

3. Unscrew the three lower hinge screws and hinge if necessary.

To reinstall the right door, reverse the above steps.

lower hinge removal

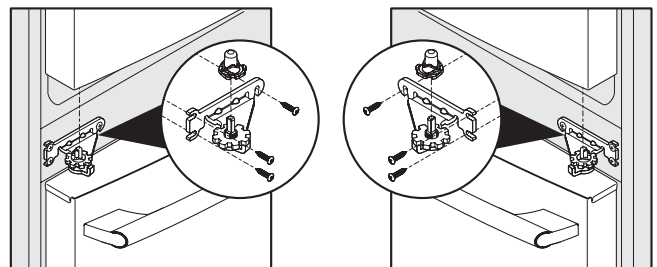


Figure 22

Once both doors are in place, ensure they are aligned with each other and level (please see the "Installation" section for more details), and replace the top hinge cover.

CAUTION

Be sure doors are set aside in a secure position where they cannot fall and cause personal injury, or damage to the doors or handles.

REMOVING THE DOORS

Removing Freezer Drawer

1. Open freezer drawer.
2. Remove drawer screws on right and left sides (two screws on each side).

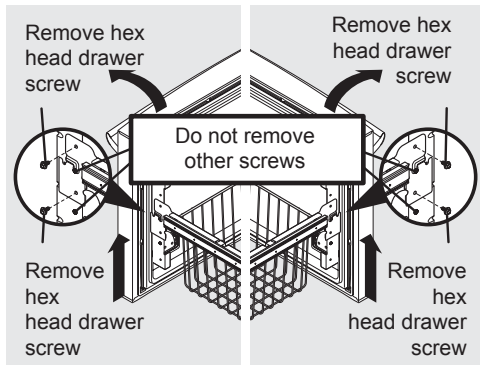


Figure 23



CAUTION

Drawer is heavy. Use caution when lifting.

3. Lift drawer up and out to remove.

Installing Freezer Drawer

1. With lower slides pulled out, hang drawer onto slide brackets ensuring pins on each side are fully inserted into slots on each side.

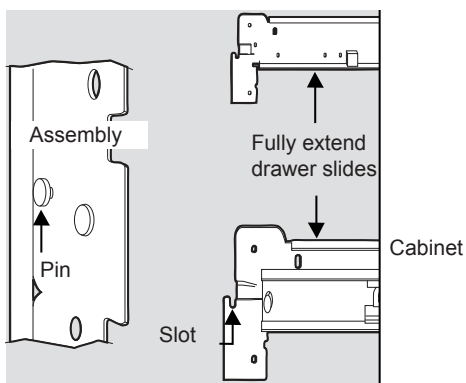


Figure 24

2. Reinstall four drawer screws (two per side), tighten down, and close drawer (C).

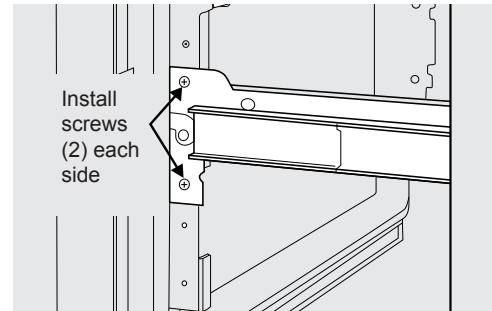


Figure 25

3. Check gasket seal around top, bottom, and sides of freezer drawer.
4. If gasket is not sealed, open drawer and slightly loosen four drawer screws (two on each side) to allow drawer to rotate.
5. Close drawer and recheck the seal on the gasket (A). Open the drawer grabbing by the sides in the center (B). Be careful not to rotate the drawer.

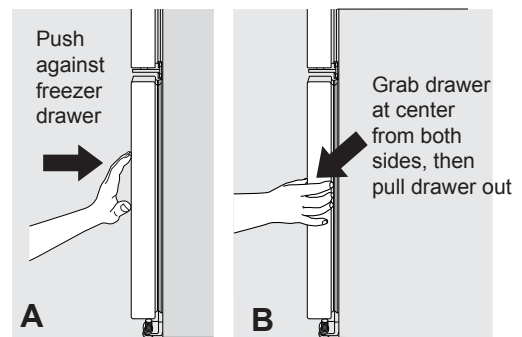


Figure 26

6. Tighten four drawer screws.
7. Recheck gasket seal.
8. Install the toe grille by fitting into place.

CONNECTING THE WATER SUPPLY

WARNING

To avoid electric shock, which can cause death or severe personal injury, disconnect the refrigerator from electrical power before connecting a water supply line to the refrigerator.

CAUTION

To Avoid Property Damage:

- Copper or Stainless Steel braided tubing is recommended for the water supply line. Water supply tubing made of ¼ inch plastic is not recommended to be used. Plastic tubing greatly increases the potential for water leaks, and the manufacturer will not be responsible for any damage if plastic tubing is used for the supply line.
- DO NOT install water supply tubing in areas where temperatures fall below freezing.
- Chemicals from a malfunctioning softener can damage the ice maker. If the ice maker is connected to soft water, ensure that the softener is maintained and working properly.

NOTE

Ensure that your water supply line connections comply with all local plumbing codes.

Before Installing The Water Supply Line, You Will Need:

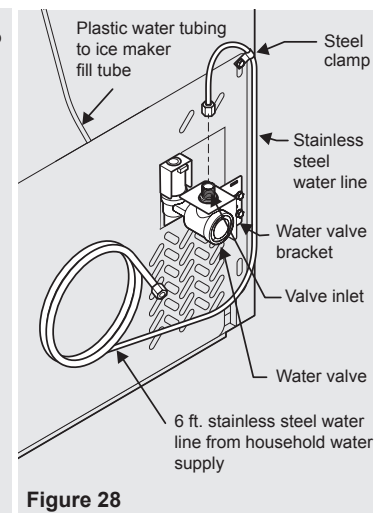
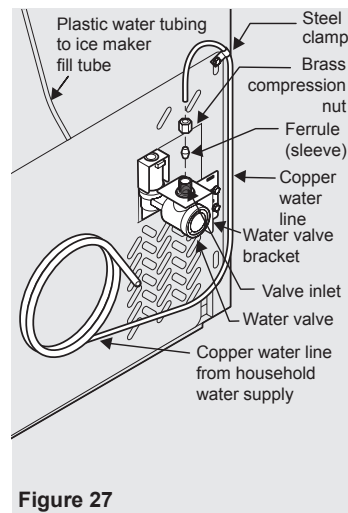
- Basic Tools: adjustable wrench, flat-blade screwdriver, and Phillips™ screwdriver
- Access to a household cold water line with water pressure between 30 and 100 psi.
- A water supply line made of ¼ inch (6.4 mm) OD, copper or stainless steel tubing. To determine the length of tubing needed, measure the distance from the ice maker inlet valve at the back of the refrigerator to your cold water pipe. Then add approximately 7 feet (2.1 meters), so the refrigerator can be moved out for cleaning (as shown).
- A shutoff valve to connect the water supply line to your household water system. DO NOT use a self-piercing type shutoff valve.
- Do not reuse compression fitting or use thread seal tape.
- A compression nut and ferrule (sleeve) for connecting a copper water supply line to the ice maker inlet valve.

NOTE

Check with your local building authority for recommendations on water lines and associated materials prior to installing your new refrigerator.

To Connect Water Supply Line To Ice Maker Inlet Valve

1. Disconnect refrigerator from electric power source.
2. Place end of water supply line into sink or bucket. Turn ON water supply and flush supply line until water is clear. Turn OFF water supply at shutoff valve.
3. Remove plastic cap from water valve inlet and discard cap.
4. **If you use copper tubing** - Slide brass compression nut, then ferrule (sleeve) onto water supply line. Push water supply line into water valve inlet as far as it will go (¼ inch / 6.4 mm). Slide ferrule (sleeve) into valve inlet and finger tighten compression nut onto valve. Tighten another half turn with a wrench; DO NOT over tighten. See Figure 27.
If you use stainless steel tubing - The nut and ferrule are already assembled on the tubing. Slide compression nut onto valve inlet and finger tighten compression nut onto valve. Tighten another half turn with a wrench; DO NOT over tighten. See Figure 28.
5. With steel clamp and screw, secure water supply line (copper tubing only) to rear panel of refrigerator as shown.
6. Coil excess water supply line (copper tubing only), about 2½ turns, behind refrigerator as shown and arrange coils so they do not vibrate or wear against any other surface.
7. Turn ON water supply at shutoff valve and tighten any connections that leak.
8. Reconnect refrigerator to electrical power source.
9. To turn ice maker on, lower wire signal arm (freezer ice maker) or set the ice maker's On/Off power switch to the "On" position (fresh food ice maker).



ELECTRONIC CONTROL

A red indicator light will be illuminated above most active features.

Touch the icon to activate the options below.

- fast freeze** Activates a faster rate for freezing food.
- fast ice** Increases the production of ice
- energy saver** Keep this switch set on energy saver (light on) for lowest energy use. If moisture appears on the cabinet between the doors, pressing this button will turn the light off and enable an electric heater used to reduce moisture on the cabinet between the doors.
- water filter** Press and hold for three seconds to reset after filter change.
- air filter** Filter condition status is always displayed when door is open. Press and hold for three seconds to reset after filter change.
- temp mode** Touch to toggle display from Fahrenheit to Celsius.
- mute sounds** Tones emitted by each key press can be turned off based on user preference. The sounds are muted when the red indicator is lit. Warning signals will stay active.
- default settings** Resets all refrigerator settings such as temp, temp display and tones to their factory default settings.
- on off** Press and hold for three seconds to turn off the cooling system to clean the refrigerator. It also turns off the ice maker. The temperature displays will read OFF.

NOTE

Pressing the system on/off icon does not turn off power to your refrigerator. You must unplug the power cord from the wall outlet.

Setting cooling temperatures

Press the + or – indicator to adjust the temperature to the desired setting.

The temperature display will begin to blink with the first touch. The display will time out after 10 seconds and return to the basic display.

Alarms

Door Ajar If the door has been left open for an extended period of time, an alarm will sound and the door ajar indicator will display on the bottom display of the control panel. The alarm is turned off by closing the door. The mute sounds key will blink to prompt the reset of any active alarms.

High Temp Press this key to reset any system alarms. In the event of a high temperature condition, the temperature display will blink and display “HI”. After 20 minutes, the alarm will sound and the **high temp** indicator will be red on the bottom of the control panel. The **mute sounds** icon will illuminate until pressed, acknowledging the alarm, at which time the highest temperature reached will be displayed and the refrigerator will resume normal operation. In case the high temp alarm is not acknowledged at the first alarm sound time out, when the door is first opened, the alarm sound will be repeated.

Power fail In the event of a power failure, the **power fail** alert will be displayed and the temperature display will blink until the **mute sounds** icon is pressed, acknowledging the alarm. Other modes may be turned off until the alarm is acknowledged. The **power fail** alert is turned off and the refrigerator will resume normal operation. **The high temp alarm may also be illuminated until a safe operating range temperature has been reached.**

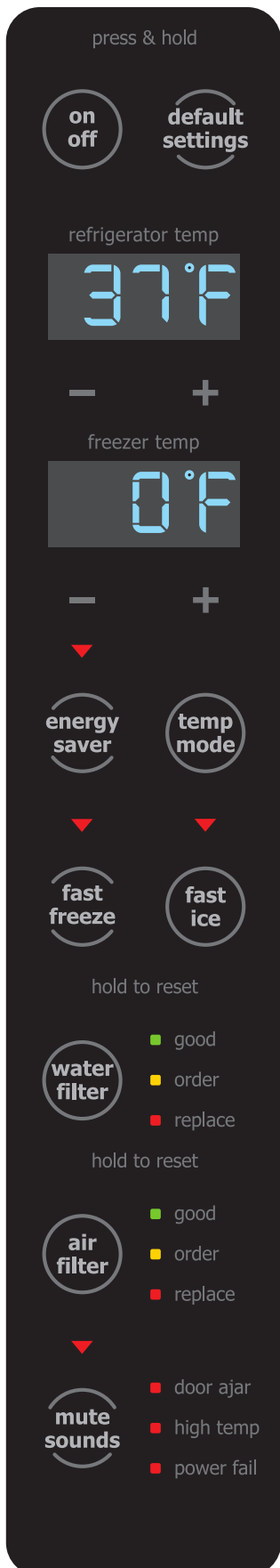


Figure 29

ELECTRONIC CONTROL

Sabbath mode

The Sabbath Mode is a feature that disables portions of the refrigerator and its controls for, in accordance with observance of the weekly Sabbath and religious holidays within the Orthodox Jewish community.

Sabbath Mode is turned ON and OFF by pressing and holding the freezer temp “-” and the refrigerator temp “+” indicators for five seconds. The display shows “Sb” while in Sabbath mode.

In the Sabbath Mode, the High Temp alarm is active for health reasons. If a high temperature alarm is activated during this time, for example due to a door left ajar, the alarm will sound intermittently for about two minutes. The alarm will then silence on its own and a red high temperature icon will display. The high temp icon will continue to display, even if the door is closed, until the Sabbath mode is exited and the icon reset. The refrigerator will function normally once the door is closed, without any violation of the Sabbath/Holidays.

NOTE

While in Sabbath Mode, neither the lights nor the control panel will work until Sabbath Mode is deactivated. Refrigerator stays in Sabbath Mode after power failure recovery. It must be deactivated with the buttons on the control panel.

NOTE

During Sabbath Mode, the ice maker is turned off by main control board.

Sabbath Mode and the Select Temp Drawer

The Select Temp Drawer should be turned off for the Sabbath/Holidays. Before putting the refrigerator into the Sabbath mode, turn the Select Temp Drawer off by pressing the drawer on/off button. The display will show “OFF” and the drawer will turn off. Then enter the Sabbath mode function on the main refrigerator display. See the electronic control “Sabbath Mode” section. When in Sabbath mode, the display will not illuminate and the drawer will remain off. The drawer can still be used as a non-temp controlled drawer in this mode. When the refrigerator is taken out of Sabbath mode, the Select Temp Drawer will have to be turned back on.

NOTE

If the Select Temp Drawer is not turned off prior to putting the unit into Sabbath Mode, it will continue to adjust itself to maintain the set point even if the display does not illuminate to show that it is still on.

AUTOMATIC ICE MAKER

Ice maker operation & care

After the refrigerator is installed properly, the ice maker can produce ice within 24 hours. It can completely fill an ice bin in about three days.

When using the ice maker for the first time and in order for the ice maker to work properly, it is necessary to clear air from water filter tubing. Once ice maker begins making ice, allow the bucket to fill completely, then discard the first TWO FULL buckets of ice. It will take at least two days to completely fill the bucket on regular ice making mode or 1½ days on fast ice mode.

The ice maker produces approximately four pounds of ice every 24 hours depending on usage conditions.

NOTE

Your ice maker is turned on at the factory so it can work as soon as you install your refrigerator. If you cannot connect a water supply, lift the ice maker's wire signal arm to turn it off. Otherwise, the ice maker's fill valve may make a loud chattering noise when it attempts to operate without water.

Turning the ice maker on and off

Ice production is controlled by lifting/lowering the ice maker's wire signal arm. To gain access to the ice maker, pull the freezer drawer out. Lift the **wire signal arm** to turn the ice maker OFF and lower the wire signal arm to turn it ON.

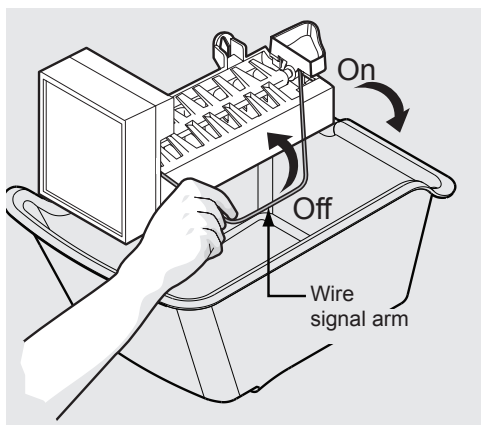


Figure 30

Ice maker tips

- If your refrigerator is not connected to a water supply or the water supply is turned off, turn off the ice maker by lifting wire signal arm.
- Ice cubes stored too long may develop an odd flavor. Empty the ice bin as explained below.

- The following sounds are normal when the ice maker is operating:
 - Motor running
 - Ice dropping into ice bin
 - Water valve opening or closing
 - Running water

Fast Ice Function

Your refrigerator is equipped with a Fast Ice Function, that will, if activated at your user interface, allow an increase in ice production. You do not need to deactivate it, if not needed, your refrigerator will operate on normal conditions.

CAUTION

If the water supply to your refrigerator is softened, be sure the softener is properly maintained. Chemicals from a water softener can damage the ice maker.

Cleaning the ice maker

Clean the ice maker and ice bin at regular intervals, especially prior to vacation or moving.

1. Turn off the ice maker.
2. Remove the ice bin.
3. Empty and carefully clean the ice bin with mild detergent. Do not use harsh or abrasive cleaners. Rinse with clean water.
4. Allow the ice bin to dry completely before replacing in the freezer.
5. Replace the ice bin. Turn the ice maker on.

Remove and empty the ice bin if:

- An extended power failure (one hour or longer) causes ice cubes in the ice bin to melt and freeze together.

Remove the ice bin and shake to loosen the cubes or clean as explained above.

CAUTION

NEVER use an ice pick or similar sharp instrument to break up the ice. This could damage the ice bin. To loosen stuck ice, use warm water. Before replacing the ice bin, make sure it is completely dry.

STORAGE FEATURES

Shelf features



To avoid injury from breakage, handle tempered glass shelves carefully.

Your refrigerator includes glass shelves that are designed to catch and hold accidental spills.

You can easily adjust shelf positions in the fresh food compartments to suit your needs. The shelves have mounting brackets that attach to slotted supports at the rear of each compartment.

To change the position of a shelf:

1. Before adjusting a shelf, remove all food.
2. Lift the front edge up and pull the shelf out.
3. Replace by inserting the mounting bracket hooks into the desired support slots.
4. Lower the shelf and lock into position.

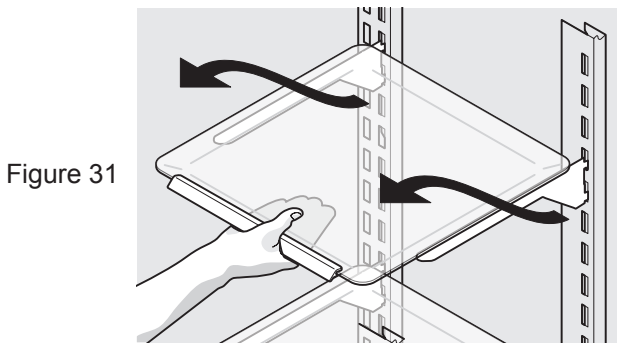


Figure 31

or

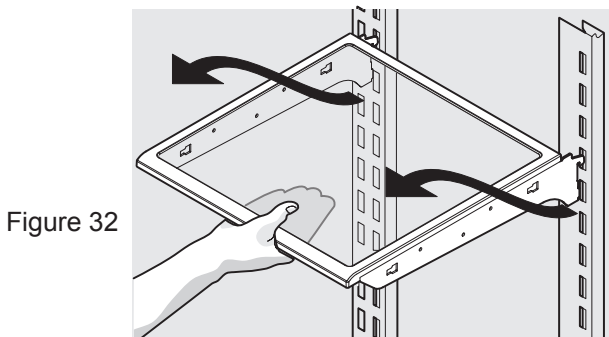


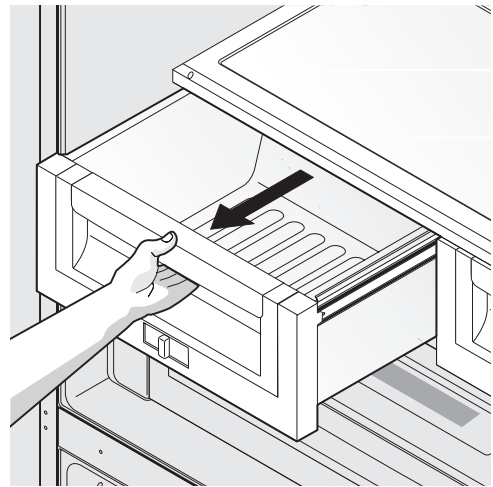
Figure 32

Drawers

Your refrigerator includes a variety of storage drawers. These drawers are located in fixed positions at the bottom of the fresh food compartment.

Crispers

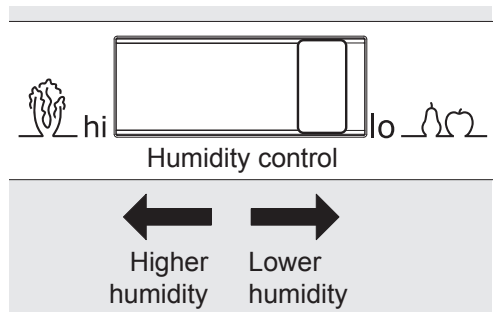
Crisper drawers are designed for storing fruits, vegetables, and other fresh produce.



Opening crisper drawer Figure 33

Crisper humidity control

Crisper drawers include a sliding control for adjusting the humidity inside the crisper. Leafy vegetables keep best when stored with the Humidity Control set on Higher Humidity. Fresh fruits keep best when stored with the Humidity Control set on Lower Humidity.



Adjusting crisper humidity Figure 34

STORAGE FEATURES

To remove the crisper drawer for cleaning:

1. Pull the drawer out until it stops.
2. Lift the front slightly and remove the drawer.

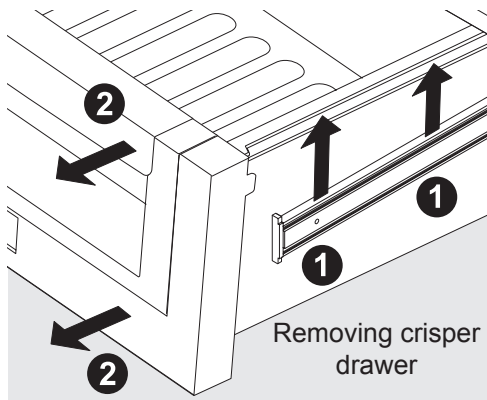


Figure 35

Cool zone

Some models are equipped with a meat keeper drawer for short-term storage of bulk meat items. This drawer includes sliding controls for adjusting the humidity inside. Any meat to be kept longer than two days should be frozen. If you store fruits or vegetables in this drawer, set it to a higher humidity.

Special items rack

The innovative design of the special items rack allows you to store 4 bottles of wine or soft drink bottles.

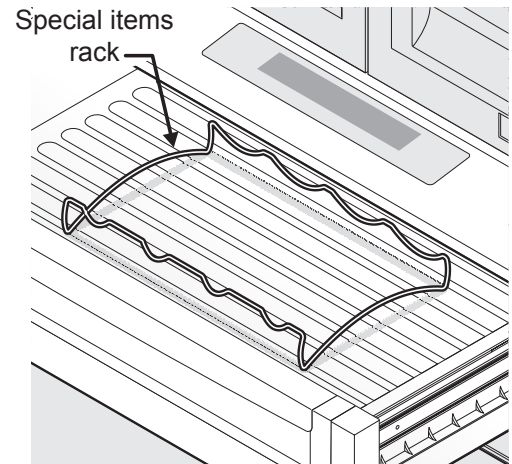


Figure 37

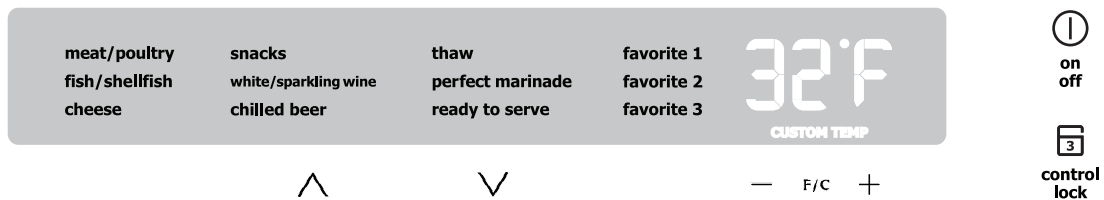
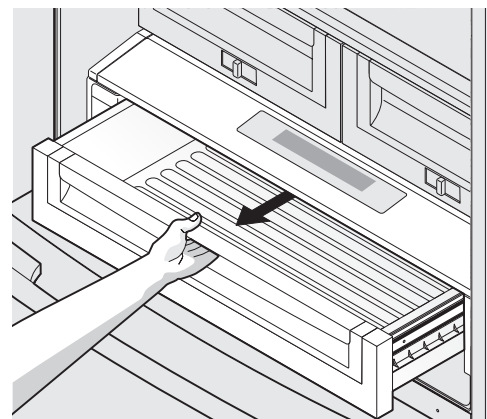


Figure 36

To operate:

1. To turn on and off, press the drawer's On/Off button. The numeric display will show a temperature between "28°F and 42°F" when on and "OFF" when off.
2. Press F/C if you prefer to display Fahrenheit "F," or Celsius "C".
3. Press either the up \wedge or down \vee scroll buttons to illuminate the desired item.
4. Once an option is selected, the drawer will adjust and maintain the temperature for the setting selected.
5. When turned off, the Select Temp Drawer functions as a standard meat pan. The Select Temp Drawer is best used for packaged food products. Leafy vegetables and unpackaged fruits are best kept in one of the crisper drawers.
6. The three favorite selections provide flexibility to set and store personal temperature selections. The temperature is adjusted up by pressing the + or – buttons. The drawer will store the selected temperature setting until it is changed.
7. The control buttons can be locked to prevent accidental changes by pressing the control lock button for three seconds. Deactivate by pressing for three seconds again.



Opening the drawer

Figure 38

STORAGE FEATURES

NOTE

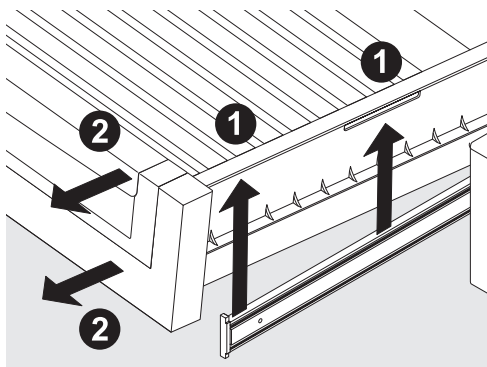
DO NOT clean the display area of the Select Temp Drawer with abrasive or caustic cleaners. Wipe clean with a moist sponge.

CAUTION

The Select Temp Drawer and cover can be removed for cleaning but the control unit, attached to the right side of the fridge, cannot be removed. Do not immerse the Select Temp Drawer cover in water or put it in a dishwasher. Clean with a damp cloth or sponge.

To remove the Select Temp Drawer for cleaning:

1. Pull the drawer out until it stops.
2. Lift the front slightly and remove the drawer.



Removing the drawer Figure 39

NOTE

When the refrigerator is turned off by pressing the main electronic control on/off button, the Select Temp Drawer will also be turned off. When the refrigerator is turned back on, the Select Temp Drawer will resume operations at the temp setting that was set before the refrigerator was turned off.

Doors

Storage bins

The doors to your fresh food compartment use a system of modular storage bins. All of these bins are removable for easy cleaning. Some of them have fixed positions, while others can be adjusted to your needs.

Door bins are ideal for storing jars, bottles, cans, and large drink containers. They also enable quick selection of frequently used items.

To change the position of an adjustable door bin:

1. Before adjusting a bin, remove all food.
2. Grip the bin firmly with both hands and lift it upward.
3. Remove the bin.
4. Place the bin just above desired position.
5. Lower the bin onto supports until locked in place.

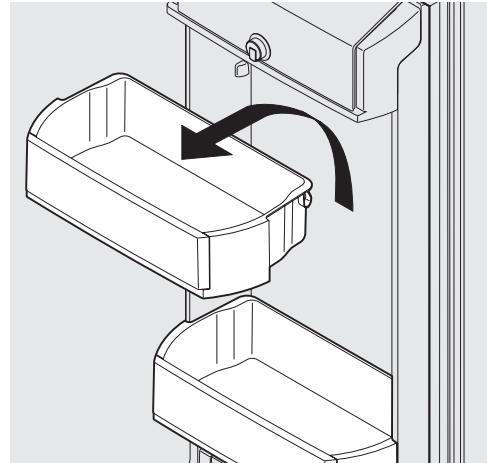
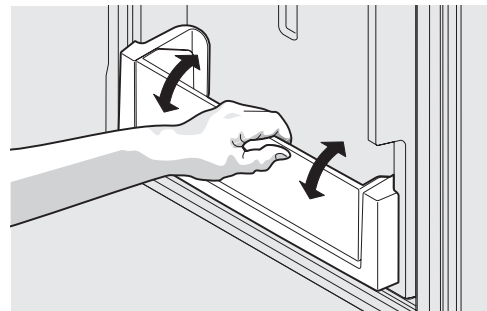


Figure 40

Accessories

Tilt can bins

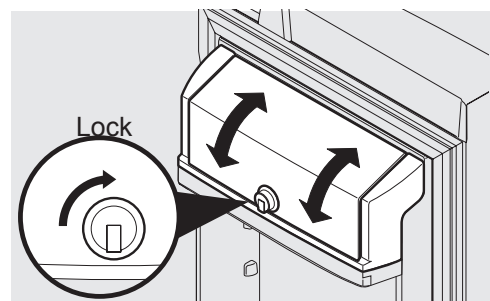
The can bins allow you to efficiently and securely store up to eight 12-ounce canned beverages.



Tilt can bin Figure 41

Covered Door Bin

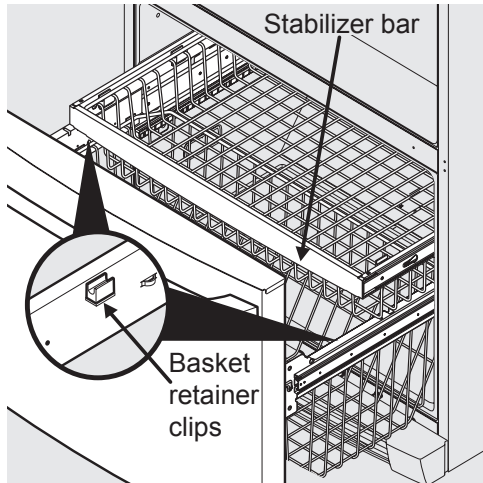
Use the covered door bin, at the top of the fresh food compartment door, for short-term storage of cheese, spreads, or butter. The covered door bin is designed to be warmer than the open area and includes a lift-up cover that may be locked and a dairy divider (select models).



Covered door bin Figure 42

STORAGE FEATURES

Freezer Features



Two freezer baskets Figure 43

To Remove Upper Basket

1. Remove all items from basket.
2. Remove basket by pulling basket out to its full extension and lift out.

To reinstall upper basket, position basket onto the retainer clips making sure the front of the basket rests in the retainer clips on the stabilizer bar.

NOTE

If basket is not resting on stabilizer bar retainer clips, the drawer will not close properly.

To Remove Lower Basket

1. Remove all items from basket.
2. Remove the basket by tilting it forward and lifting it from the retainer clips.

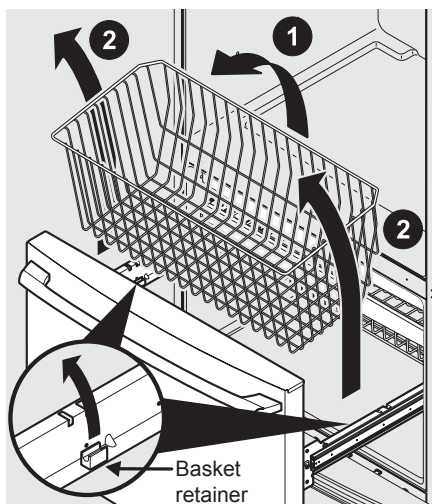


Figure 44

Removing lower basket

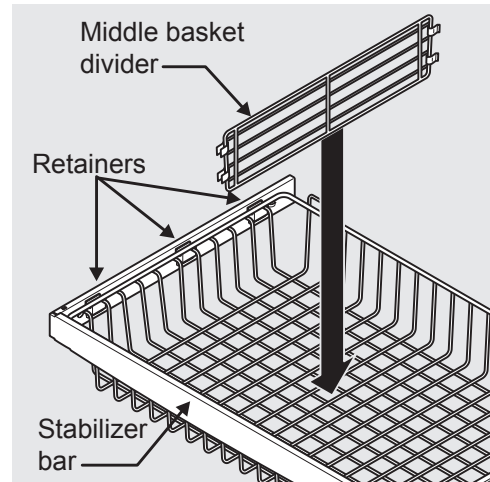
Lift up on the rear of the lower divider and pull out.

Tilt Wire Shelf

The freezer tilt wire shelf (located on the inside of the freezer drawer) is not designed to be removed.

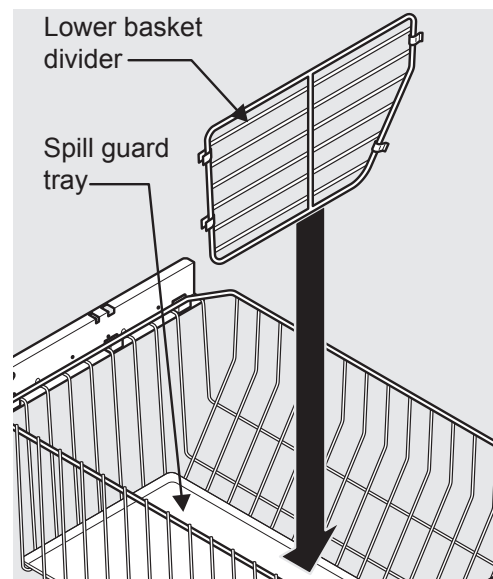
Dividers Removal

Lift up on the front of the upper divider and pull out.



Upper basket divider Figure 45

Lift up on the rear of the lower divider and pull out.



Lower basket divider and spill guard tray Figure 46

NOTE

Spill Guard Tray should be hand washed in warm water.

STORING FOOD AND SAVING ENERGY

Ideas for storing foods

Fresh food storage

- Keep the fresh food compartment between 34°F and 40°F with an optimum temperature of 37°F.
- Avoid overcrowding the refrigerator shelves, which reduces air circulation and causes uneven cooling.

Fruits and vegetables

- Store fruits and vegetables in crisper drawers, where trapped moisture helps preserve food quality for longer time periods.
- Wash items and remove excess water.
- Wrap any items that have strong odors or high moisture content.

Meat

- Wrap raw meat and poultry separately and securely to prevent leaks and contamination of other foods or surfaces.
- Use the deli drawer or Select Temp drawer and set to meat/poultry setting for short-term storage. Any meat to be kept longer than two days should be frozen.

Frozen food storage

- Keep the freezer compartment at 0°F or lower.
- A freezer operates most efficiently when it is at least $\frac{2}{3}$ full.

Packaging foods for freezing

- To minimize food dehydration and quality deterioration, use aluminum foil, freezer wrap, freezer bags, or airtight containers. Force as much air out of the packages as possible and seal them tightly. Trapped air can cause food to dry out, change color, and develop an off-flavor (freezer burn).
- Wrap fresh meats and poultry with suitable freezer wrap prior to freezing.
- Do not refreeze meat that has completely thawed.

Loading the freezer

- Prior to grocery shopping, activate “fast freeze” so that on your return you can ensure your newly purchased food designated for the freezer will be preserved as quickly as possible.
- Activating “fast freeze” also will help your freezer more efficiently maintain the selected temperature after placing new purchases with pre-existing frozen foods.
- Avoid adding too much warm food to the freezer at one time. This overloads the freezer, slows the rate of freezing, and can raise the temperature of frozen foods.
- Leave a space between packages, so cold air can circulate freely, allowing food to freeze as quickly as possible.

Ideas for saving energy

Installation

- Locate the refrigerator in the coolest part of the room, out of direct sunlight, and away from heating ducts or registers.
- Do not place the refrigerator next to heat producing appliances such as a range, oven, or dishwasher. If this is not possible, a section of cabinetry or an added layer of insulation between the two appliances will help the refrigerator operate more efficiently.
- Level the refrigerator so that the doors close tightly.

Temperature settings

- Refer to the “Controls” section for procedures on temperature settings.

Food storage

- Avoid overcrowding the refrigerator or blocking cold air vents. Doing so causes the refrigerator to run longer and use more energy.
- Cover foods and wipe containers dry before placing them in the refrigerator. This cuts down on moisture build-up inside the unit.
- Organize the refrigerator to reduce door openings. Remove as many items as needed at one time and close the door as soon as possible.
- Do not place a hot container directly on a cold shelf. Remember, such an extreme temperature change may damage the glass

NORMAL OPERATING SOUNDS

Understanding the sounds you may hear

Your new, high-efficiency refrigerator may introduce unfamiliar sounds. These sounds normally indicate your refrigerator is operating correctly. Some surfaces on floors, walls, and kitchen cabinets may make these sounds more noticeable.

The following is a list of major components in your refrigerator and the sounds they can cause:

A. Evaporator Refrigerant through the evaporator may create a boiling or gurgling sound.

B Evaporator fan You may hear air being forced through the refrigerator by the evaporator fan.

C Defrost heater During defrost cycles, water dripping onto the defrost heater may cause a hissing or sizzling sound. After defrosting, a popping sound may occur.

D Automatic ice maker When ice has been produced, you will hear ice cubes falling into the ice bin. Ice maker fan, water valve activation, and refrigerant gas fluid may create sounds from its operation.

E Electronic control & automatic defrost control These parts can produce a snapping or clicking sound when turning the cooling system on and off.

F Condenser fan You may hear air being forced through the condenser.

G Compressor Modern, high-efficiency compressors run much faster than older models. The compressor may have a high-pitched hum or pulsating sound.

H Water valve Makes a buzzing sound each time it opens to fill the ice maker.

I Drain pan (not removable) You may hear water dripping into the drain pan during the defrost cycle.

J Condenser May create minimal sounds from forced air.

K Motorized Select Temp drawer damper May produce a light humming during operation.

L Ice dispensing paddle When dispensing ice, you will hear a snapping, clicking, or popping sound when the solenoid opens and closes the ice chute.

M Motorized damper May produce a light humming during operation.

N Select Temp drawer fan Turns off when door opens or Select Temp drawer is turned off.

NOTE

Energy efficient foam in your refrigerator is not a sound insulator.

NOTE

During automatic defrost cycle, a red glow in the back wall vents of your freezer compartment is normal.

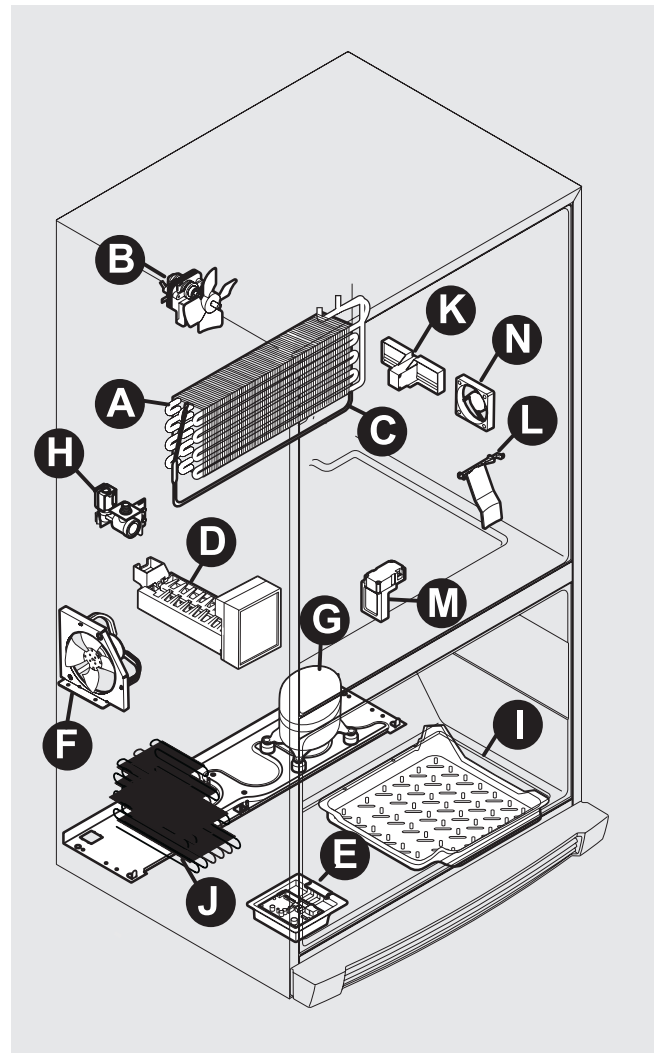


Figure 47

CHANGING THE WATER AND AIR FILTERS

Your refrigerator is equipped with separate water and air filtering systems. The water filter system filters all the water used to produce ice. The air filter removes odors and impurities from the refrigerator compartment.

NOTE

The control panel includes controls to monitor the status of your water and air filters. See the Controls section for more information.

About your advanced water filter



The filter system is tested and certified by NSF International to NSF/ANSI Standards 42 and 53 for the reduction of claims specified on the performance data sheet.

Do not use with water that is microbiologically unsafe or of unknown quality without adequate disinfection before or after the system. Systems certified for cyst reduction may be used on disinfected waters that may contain filterable cysts.

- Rated Capacity - 240 gallons
- Rated service flow - .5 gallons per minute
- Maximum Rated Pressure - 100 pounds per square inch
- Recommended Minimum Operating Pressure: 30 pounds per square inch
- Operating Temp.: Min. 33°F, Max. 100°F

Water filter

The water filter is located at the lower left side of the fresh food compartment.

Replacing your water filter

In general, you should change the water filter every six months to ensure the highest possible water quality. The Water Filter Status light on the Touch Panel prompts you to replace the filter after the six month time period has elapsed. The water filter status light on this model is not performance tested or certified by NSF.

If your refrigerator has not been used for a period of time (during moving for example), change the filter before reinstalling the refrigerator.

It is not necessary to turn the water supply off to change the filter. Be ready to wipe up any small amounts of water released during the filter replacement.

1. Push the filter release button above the cartridge to disconnect it.

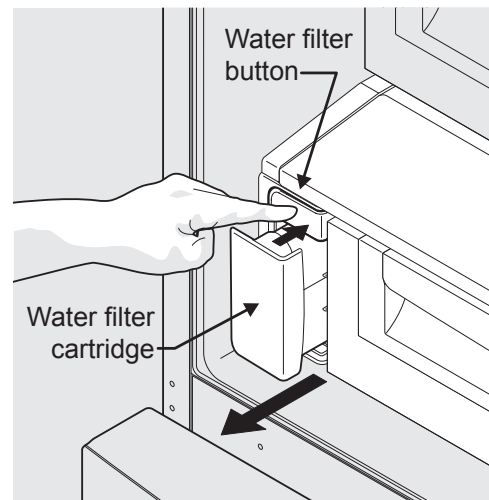


Figure 48 Push water filter button

2. Slide the old water filter cartridge straight out of the housing and discard it.
3. Unpack the new filter cartridge and remove the two protective caps covering the inlet and exit of the filter. Slide the filter gently into the housing until it stops against the snap-in connector at the back of the housing.

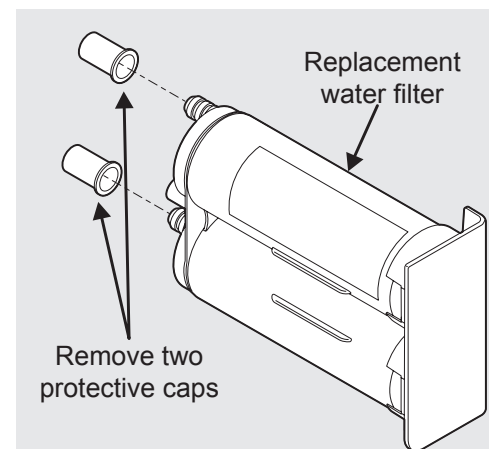


Figure 49

CHANGING THE WATER AND AIR FILTERS

4. Push firmly until the cartridge snaps into place (you should hear two clicks). When fully engaged, the front of the filter cartridge should be flush with the filter release button.

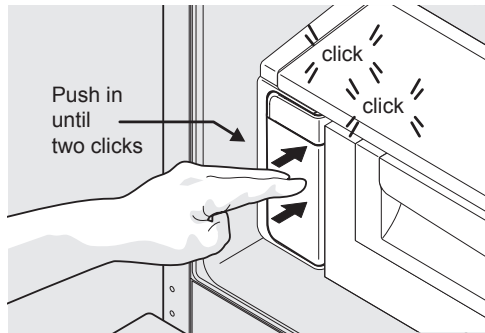


Figure 50 Reinstall water filter

5. Press and hold the **Filter Status** button on the control panel for three seconds. When the display changes from **“Replace”** to **“Good,”** the status has been reset.
6. After replacing the water filter and in order for the ice maker to work properly, it is necessary to clear air from water filter tubing. Once ice maker begins making ice, allow the bucket to fill completely, then discard the first TWO FULL buckets of ice. It will take at least two days to completely fill the bucket on regular ice making mode or 1½ days on fast ice mode.

Air filter

The air filter is located under the utility bin.

Replacing your air filter

To ensure optimal filtering of refrigerator odors, you should change the air filter every six months (the filter status light on the Touch Panel prompts you to replace the filter after six months).

1. Open the air filter door.
2. Remove the old filter and discard it.
3. Unpack the new filter and slide it into the housing.
4. To close the air filter door, push the top and bottom to lock the door closed.
5. Press and hold the Air Filter Reset button on the control panel for three seconds. When the display changes from **“Replace”** to **“Good,”** the status has been reset.
6. The Air Filter Reset will turn itself off after a few seconds.

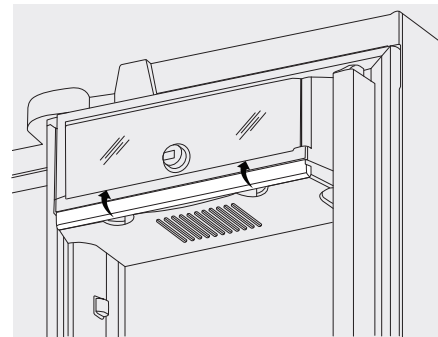


Figure 51

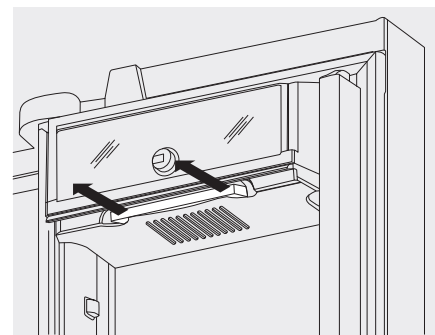


Figure 52

Ordering replacement filters

Order new filters by calling 800-223-3900, online at or through the dealer where you bought your refrigerator. You may want to consider ordering extra filters when you first install your refrigerator.

CARE AND CLEANING

Protecting your investment

Keeping your refrigerator clean maintains its appearance and prevents odor build-up. Wipe up any spills immediately and clean the freezer and fresh food compartments at least twice a year.

NOTE

Do not use abrasive cleaners such as window sprays, scouring cleansers, flammable fluids, cleaning waxes, concentrated detergents, bleaches, or cleansers containing petroleum products on plastic parts, interior doors, gaskets, or cabinet liners. Do not use paper towels, scouring pads, or other abrasive cleaning materials.

- Never use metallic scouring pads, brushes, abrasive cleaners, or strong alkaline solutions on any surface.
- Never use CHLORIDE or cleaners with bleach to clean stainless steel.
- Do not wash any removable parts in a dishwasher.
- Always unplug the electrical power cord from the wall outlet before cleaning.

NOTE

If you set your temperature controls to turn off cooling, power to lights and other electrical components will continue until you unplug the power cord from the wall outlet.

- Remove adhesive labels by hand. Do not use razor blades or other sharp instruments which can scratch the appliance surface.
- Do not remove the serial plate. Removal of your serial plate voids your warranty.
- Before moving your refrigerator, raise the anti-tip brackets so the rollers will work correctly. This will prevent the floor from being damaged.



CAUTION

- Pull the refrigerator straight out to move it. Shifting it from side to side may damage flooring. Be careful not to move the refrigerator beyond the plumbing connections.
- Damp objects stick to cold metal surfaces. Do not touch refrigerated surfaces with wet or damp hands.

NOTE

If you store or move your refrigerator in freezing temperatures, be sure to completely drain the water supply system. Failure to do so could result in water leaks when the refrigerator is put back into service. Contact a service representative to perform this operation.

Refer to the guide on the next page for details on caring and cleaning specific areas of your refrigerator.

CARE AND CLEANING

Care and cleaning tips		
Part	Cleaning agents	Tips and Precautions
Interior and door liners	<ul style="list-style-type: none"> ● Soap and water ● Baking soda and water 	<ul style="list-style-type: none"> ● Use two tablespoons of baking soda in one quart of warm water. ● Be sure to wring excess water out of sponge or cloth before cleaning around controls, light bulb or any electrical part.
Door gaskets	<ul style="list-style-type: none"> ● Soap and water 	<ul style="list-style-type: none"> ● Wipe gaskets with a clean soft cloth.
Drawers and bins	<ul style="list-style-type: none"> ● Soap and water 	<ul style="list-style-type: none"> ● Use a soft cloth to clean drawer runners and tracks. ● Do not wash any removable items (bins, drawers, etc.) in dishwasher.
Glass shelves	<ul style="list-style-type: none"> ● Soap and water ● Glass cleaner ● Mild liquid sprays 	<ul style="list-style-type: none"> ● Allow glass to warm to room temperature before immersing in warm water.
Toe grille	<ul style="list-style-type: none"> ● Soap and water ● Mild liquid sprays ● Vacuum 	<ul style="list-style-type: none"> ● Remove toe grille (see Installation Instructions). ● Vacuum both sides and wipe with sudsy cloth or sponge. Rinse and dry.
Exterior & handles	<ul style="list-style-type: none"> ● Soap and water ● Non abrasive glass cleaner 	<ul style="list-style-type: none"> ● Do not use commercial household cleaners containing ammonia, bleach or alcohol to clean handles. ● Use a soft cloth to clean smooth handles. ● Do not use a dry cloth to clean smooth doors.
Exterior & handles (stainless steel models only)	<ul style="list-style-type: none"> ● Soap and water ● Stainless steel cleaners 	<ul style="list-style-type: none"> ● Never use CHLORIDE or cleaners with bleach to clean stainless steel. ● Clean stainless steel front and handles with non-abrasive soapy water and a dish-cloth. Rinse with clean water and a soft cloth. ● Use a non-abrasive stainless steel cleaner. These cleaners can be purchased at most home improvement or major department stores. Always follow manufacturer's instruction. Do not use household cleaners containing ammonia or bleach. ● NOTE: Always clean, wipe and dry with grain to prevent scratching. ● Wash the rest of the cabinet with warm water and mild liquid detergent. Rinse well and wipe dry with a clean soft cloth.

Vacation and moving tips	
Occasion	Tips
Short vacations	<ul style="list-style-type: none"> ● Leave refrigerator operating during vacations of three weeks or less. ● Use all perishable items from refrigerator compartment. ● Turn automatic ice maker off and empty ice bucket, even if you will only be gone a few days.
Long vacations	<ul style="list-style-type: none"> ● Remove all food and ice if you will be gone one month or more. ● Turn the cooling system off (see "Controls" section for location of On/Off button) and disconnect power cord. ● Turn water supply valve to closed position. ● Clean interior thoroughly. ● Leave doors open to prevent odors and mold build-up. Block doors open if necessary.
Moving	<ul style="list-style-type: none"> ● Remove all food and ice. ● If using a handcart, load from the side. ● Adjust rollers all the way up to protect them during sliding or moving. ● Pad cabinet to avoid scratching surface.

CARE AND CLEANING

Replacing LED Lights

Both the freezer and fresh food compartments of your refrigerator include LED lights.

To replace LED Lights:

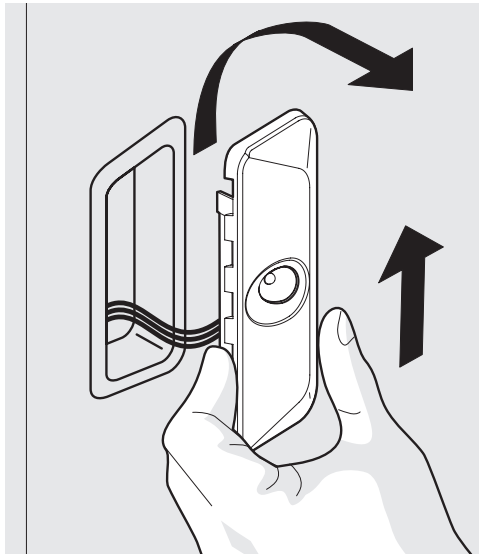
1. Unplug your refrigerator's power cord.
2. Remove light cover by pushing up and out.
3. Hold the LED cover with one hand and pull the connector with the other hand while pressing the connector latch.
4. Replace LED light and snap in place assuring the light is facing in toward the unit (inside fresh food and freezer) or facing outward on bottom of fresh food doors.

NOTE

LED lights are in series so if one is bad or unplugged, several lights may not light up.

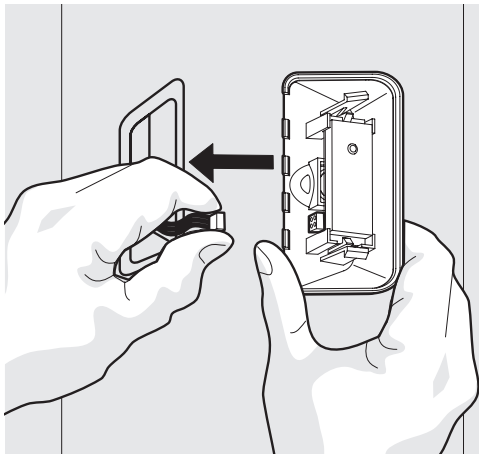
Ordering Replacement LED Lights

Order new LEDs by calling 800-223-3900, or through the dealer where you bought the refrigerator.



LED light removal

Figure 53



LED light harness removal

Figure 54

SOLUTIONS TO COMMON PROBLEMS

Before you call

If you experience a concern with your refrigerator or notice a product behavior or condition that you do not understand, you can usually avoid a call to your service representative by referring to this section for an answer. Beginning with the following table, this information includes concerns, potential causes, and common solutions.

Automatic Ice Maker		
Problem	Cause	Correction
Ice maker is not making any ice	<ul style="list-style-type: none"> ● Ice maker is turned off. ● Refrigerator is not connected to water line or water valve is not open. ● The water supply line is kinked. ● The water filter is not seated properly. ● The water filter may be clogged with foreign material. ● Saddle valve on cold water pipe is clogged or restricted by foreign material. 	<ul style="list-style-type: none"> ● Turn on ice maker. For the fresh food ice maker, press and hold the "Ice Off" button for four seconds until the indicator turns off. For the freezer ice maker, lower the wire signal arm. ● Connect the unit to the household water supply and ensure the supply valve is open. ● Ensure that the supply line does not kink when the refrigerator is pushed into place against the wall. ● Remove and re-install the water filter. Be sure to push the filter firmly so that you hear it lock solidly into position. ● If water dispenses slowly or not at all, or if the filter is six months old or older, it should be replaced. ● Turn off household water line valve. Remove valve. Ensure that valve is not a self-piercing saddle valve. Clean valve. Replace valve if necessary.
Ice maker is not making enough ice.	<ul style="list-style-type: none"> ● Ice maker is producing less ice than you expect. ● The water filter may be clogged with foreign material. ● The water supply line is kinked. ● Saddle valve on cold water pipe is clogged or restricted by foreign material. 	<ul style="list-style-type: none"> ● The fresh food and freezer ice makers will each produce approximately 2.5 pounds of ice every 24 hours depending on usage conditions. ● If water dispenses slower than normal, or if the filter is six months old or older, it should be replaced. ● Ensure that the supply line does not kink when the refrigerator is pushed into place against the wall. ● Turn off household water line valve. Remove valve. Ensure that valve is not a self-piercing saddle valve. Clean valve. Replace valve if necessary
Freezer ice maker will not stop making ice.	<ul style="list-style-type: none"> ● Ice maker wire signal arm is being held down by some package in the freezer that has fallen against the ice maker. 	<ul style="list-style-type: none"> ● Move the item and release wire signal arm. Remove any ice cubes that may have frozen together over the wire signal arm.
Ice cubes are freezing together.	<ul style="list-style-type: none"> ● Ice cubes are not being used frequently enough. ● Ice cubes are hollow (shells of ice with water inside). The hollow cubes break open in the bin and leak their water onto existing ice, which causes it to freeze together. 	<ul style="list-style-type: none"> ● Remove ice container and discard ice. The ice maker will produce fresh supply. Ice should be used at least twice weekly to keep the cubes separated. ● This generally occurs when the ice maker does not get enough water. This is usually the result of a clogged water filter. Replace the water filter.

Light is not on		
Concern	Potential cause	Common solution
Light is not on	<ul style="list-style-type: none"> ● Light bulb is burned out or LED light is damaged. ● No electric current is reaching refrigerator. ● Control system has disabled lights because one or both doors were left open too long. 	<ul style="list-style-type: none"> ● See Replacing Light Bulbs or LED lights in Care and Cleaning section. ● See "Concern" section, "Refrigerator Operations". ● Close and reopen door(s) to enable lights.

Odors in refrigerator		
Concern	Potential cause	Common solution
Interior is dirty. Odors	<ul style="list-style-type: none"> ● Interior needs to be cleaned. ● Food with strong odors is stored in refrigerator. 	<ul style="list-style-type: none"> ● See care & cleaning tips. ● Cover food tightly. Air filter may need to be changed more frequently if foods with strong odors are routinely stored in refrigerator.

SOLUTIONS TO COMMON PROBLEMS

Opening/Closing of Doors/Drawers		
Concern	Potential cause	Common solution
Door(s) will not close.	<ul style="list-style-type: none"> ● Refrigerator is not level. It rocks on the floor when moved slightly. ● An object has fallen from the baskets blocking the door from closing. 	<ul style="list-style-type: none"> ● Ensure floor is level and solid, and can adequately support the refrigerator. Contact a carpenter to correct a sagging or sloping floor. ● Check for ice or food items blocking drawer.
Drawers are difficult to move.	<ul style="list-style-type: none"> ● Food is touching shelf on top of drawer. ● Drawer is overloaded. 	<ul style="list-style-type: none"> ● Keep less food in drawer. ● Remove or redistribute food.

Refrigerator Operations		
Concern	Potential cause	Common solution
Compressor does not run	<ul style="list-style-type: none"> ● Cooling system is turned off. ● Refrigerator is in defrost cycle. ● Plug at wall outlet is disconnected. ● House fuse is blown or a tripped circuit breaker. ● Power outage ● Electronic control system keeps the refrigerator at a constant temperature. 	<ul style="list-style-type: none"> ● Turn cooling system On. See Controls Section for location of cooling system On/Off button. ● This is normal for a fully automatic defrost refrigerator. The defrost cycle occurs periodically, lasting about 30 minutes. ● Ensure plug is tightly pushed into outlet. ● Check/replace fuse with a 15 amp time-delay fuse. Reset circuit breaker. ● Check house lights. Call local Electric Company. ● This is normal. Refrigerator goes on and off to keep temperature constant.
Refrigerator runs to much or to long.	<ul style="list-style-type: none"> ● Room or outside weather is hot. ● Refrigerator has recently been disconnected for a period of time. ● Automatic ice maker is operating. ● Doors are opened too frequently or too long. ● Refrigerator/freezer door may be slightly open. ● Freezer control is set too cold (control found on side of left hand door). ● Fresh food/freezer gasket is dirty, worn, cracked, or poorly fitted. ● This model is provided with a high-efficiency, variable-speed compressor. 	<ul style="list-style-type: none"> ● It's normal for the refrigerator to work longer under these conditions. ● It takes 8-12 hours for the refrigerator to cool down completely. ● Ice maker operation causes refrigerator to run slightly more. ● Warm air entering the refrigerator causes it to run more. Open doors less often. ● Ensure refrigerator is level. Keep food and containers from blocking door. See Concern section, Opening/Closing of Doors/ Drawers. ● Set freezer control to warmer setting until refrigerator temperature is satisfactory. Allow 24 hours for temperature to stabilize. ● Clean or change gasket. Leaks in door seal will cause refrigerator to run longer in order to maintain desired temperatures. ● It is normal for the compressor to run for long periods of time, instead of starting and stopping frequently.
Digital temperature displays are flashing.	<ul style="list-style-type: none"> ● Electronic control system has detected a performance problem. 	<ul style="list-style-type: none"> ● Call your service representative, who can interpret any messages or number codes flashing on the digital displays.

Temperatures are to Cold		
Concern	Potential cause	Common solution
Freezer temperature too cold. Refrigerator temperature is satisfactory.	<ul style="list-style-type: none"> ● Fast Freeze function is activated. ● Freezer control is set too cold. ● Ice maker is on. ● Fast Ice function is activated. 	<ul style="list-style-type: none"> ● Deactivate Fast Freeze function. ● Set freezer control to a warmer setting. Allow 24 hours for temperature to stabilize. ● It is normal for the freezer compartment to over cool while automatic ice maker is on. ● Deactivate Fast Ice function.
Refrigerator temperature too cold. Freezer temperature is satisfactory.	<ul style="list-style-type: none"> ● Refrigerator control is set too cold. 	<ul style="list-style-type: none"> ● Set refrigerator control to a warmer setting. Allow 24 hours for temperature to stabilize.
Food stored in drawers freezes.	<ul style="list-style-type: none"> ● Refrigerator control is set too cold. 	<ul style="list-style-type: none"> ● See solution above.
Food stored in Cool Zone freezes	<ul style="list-style-type: none"> ● Cool Zone temperature control is set too cold. 	<ul style="list-style-type: none"> ● Adjust Cool Zone temperature control to a warmer setting. Meat should be stored at a temperature just below the freezing point for maximum fresh storage time. It is normal for ice crystals to form due to the moisture content of meat.

SOLUTIONS TO COMMON PROBLEMS

Temperatures are too Warm		
Concern	Potential Cause	Common Solution
Freezer/Refrigerator temperature is too warm.	<ul style="list-style-type: none"> ● Doors are opened too frequently or too long. ● Door is slightly open. 	<ul style="list-style-type: none"> ● Warm air enters the refrigerator whenever the door is opened. Open the door less often. ● See Concern section, Opening/Closing of Doors/ Drawers.
Freezer temperature is too warm. Refrigerator temperature is satisfactory.	<ul style="list-style-type: none"> ● Freezer control is set too warm. 	<ul style="list-style-type: none"> ● Set freezer control to a colder setting. Allow 24 hours for temperature to stabilize.
Refrigerator temperature is too warm. Freezer temperature is satisfactory.	<ul style="list-style-type: none"> ● Refrigerator control is set too warm. 	<ul style="list-style-type: none"> ● Set refrigerator control to a colder setting. Allow 24 hours for temperature to stabilize.
Temperature in the Select Temp Drawer is too warm .	<ul style="list-style-type: none"> ● Temperature control is set too warm. 	<ul style="list-style-type: none"> ● Adjust temperature control to a colder setting.

Water/Moisture/Frost Inside Refrigerator		
Concern	Potential Cause	Common Solution
Moisture collects on inside of refrigerator walls.	<ul style="list-style-type: none"> ● Weather is hot and humid. ● Door is slightly open. ● Door is opened too often or too long. ● Open containers. 	<ul style="list-style-type: none"> ● The rate of frost buildup and internal sweating increases. ● See Concern section, Opening/Closing of Doors/ Drawers. ● Open door less often to allow internal temperature to stabilize. ● Keep containers covered.
Water collects on bottom side of drawer cover.	<ul style="list-style-type: none"> ● Vegetables contain and give off moisture. 	<ul style="list-style-type: none"> ● Moisture on the bottom side of the cover is not unusual. ● Move humidity control (select models) to lower setting.
Moisture collects in bottom of drawer.	<ul style="list-style-type: none"> ● Washed vegetables and fruit drain while in the drawer. ● Fruits and vegetables are kept past their prime. 	<ul style="list-style-type: none"> ● Dry items before putting them in the drawer. Water collecting in bottom of drawer is normal. ● Routinely clean out old fruits and vegetables especially if they begin to break down.
Moisture collects on outside of refrigerator or between doors.	<ul style="list-style-type: none"> ● Weather is humid. ● Door is slightly open, causing cold air from inside refrigerator to meet warm air from outside. 	<ul style="list-style-type: none"> ● This is normal in humid weather. When humidity is lower, the moisture should disappear. ● See Concern section, Opening/Closing of Doors/ Drawers.

WARRANTY

Entire Product – Limited One Year Warranty

AGA Marvel warrants the replacement or repair of all parts, of this appliance which prove to be defective in material or workmanship, with the exception of the painted or porcelain enamel finish or plated surfaces, for one year from the date of original purchase. Such parts will be repaired or replaced at the option of AGA Marvel without charge, subject to the terms and conditions as set out below.

Limited Warranty - Major Refrigeration Components

Second Through Fifth Year - After the first year from the date of original purchase, through the fifth year, the manufacturer will repair or replace, at its option, free of charge for parts and labor only, any part of the sealed refrigeration system (consisting of the compressor, evaporator, condenser, drier and connecting tubing) and the cabinet liner (exclusive of the door liner) which fail in normal home use. All other costs, including mileage, transportation, trip charge and diagnostic charge, if required, shall be the responsibility of the owner.

Limited Warranty - Water Filter-

30 days - From the original retail purchase date, any part of the water filter cartridge which fails due to a defect in workmanship or materials will be replaced free of charge.

What is not covered by this Warranty

1. Customer education or instructions on how to use the refrigerator/freezer.
2. Any food loss due to product failure. (Warranter is not be liable for any incidental or consequential damage including food loss.
3. Any expenses involved in making this appliance readily accessible for servicing.
4. Transportation, delivery, or subsequent damages.
5. Use commercially or rental use or use other than normal household.
6. **Improper installation**, misuse, abuse, accident or alteration, use on wiring not conforming to electrical codes, low voltage, failure to provide necessary maintenance or other unreasonable use.
7. Parts of service not supplied or designated by the factory.
8. Accident, fire, flood, acts of God.
9. Alteration, or the removal or defacing of the serial plate,
10. The original Bill of Sale, delivery date or serial number cannot be verified.
11. The product is moved from place of original installation, and reinstalled without reviewing installation procedures with dealer or manufacturer.
12. Light bulbs
13. If the product is installed outside the normal service area, any cost of transportation expenses [tolls, ferry trip charges, or mileage expenses, etc.] involved in the repair of the product, or the replacement of a defective part, shall be borne by the customer [owner].

THE WARRANTIES, SET FORTH HEREIN ARE THE ONLY WARRANTIES EXTENDED BY AGA Marvel. ANY IMPLIED WARRANTIES, INCLUDING THE IMPLIED WARRANTY OF MERCHANTABILITY, ARE LIMITED TO THE DURATION OF THESE EXPRESS WARRANTIES. IN NO EVENT SHALL AGA Marvel BE LIABLE FOR ANY CONSEQUENTIAL OR INCIDENTAL DAMAGES OF EXPENSES RESULTING FROM BREACH OF THESE OR ANY OTHER WARRANTIES, WHETHER EXPRESSED OR IMPLIED. Some states do not allow the exclusion or limitation of consequential damages or limitations on how long an implied warranty lasts, so the above exclusion or limitation may not apply to you. **Warranty applies to product only in the country in which it was purchased.**

No person, firm or corporation is authorized to make any other warranty or assume any other obligation for AGA Marvel. To obtain performance of the warranty, report any defects to: Your Dealer or AGA Marvel Appliances Service Representative.

AGA Marvel
1260 E. VanDeinse St.
Greenville MI 48838

phone: 800-223-3900
fax: 616-754-9690

PLACE OF PURCHASE _____

DATE OF PURCHASE _____

SERIAL NUMBER _____

MODEL NUMBER _____

MERCURY

www.agamarvel.com