

# COMBINATION INSTALLATIONS



## DR30GI[F]S Range with ERV3015 Raised Vent

## PLANNING GUIDE

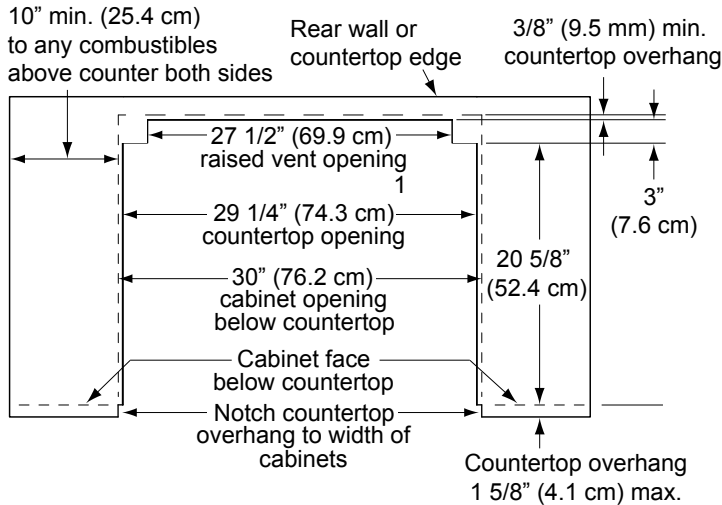
### RAISED VENT (SELF-RIMMING) INSTALLATION CUTOUT OPTIONS (MODELS DR30GIS AND DR30GIFS ONLY)

All tolerances +1/16" (+1.6 mm), -0 unless otherwise noted.

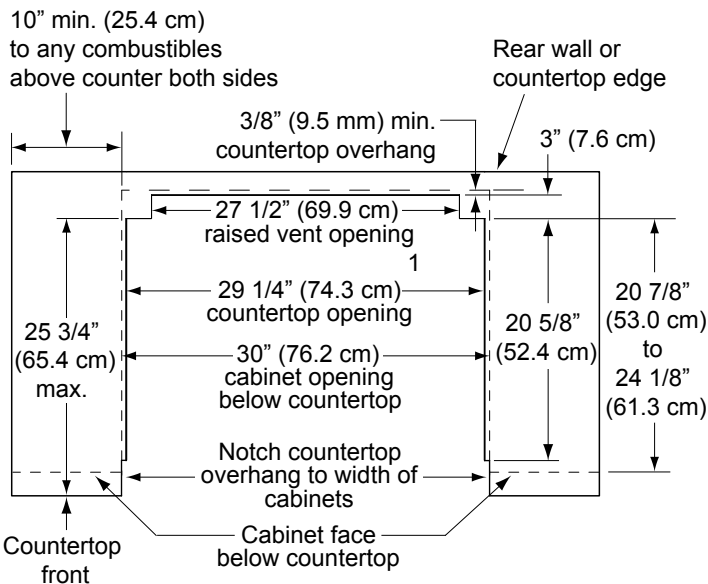
**For all installations with a raised vent:**

Countertop height: 34 3/4" (88.3 cm) min.  
36 7/8" (93.7 cm) max.  
Countertop thickness: 1 5/8" (4.1 cm) max.

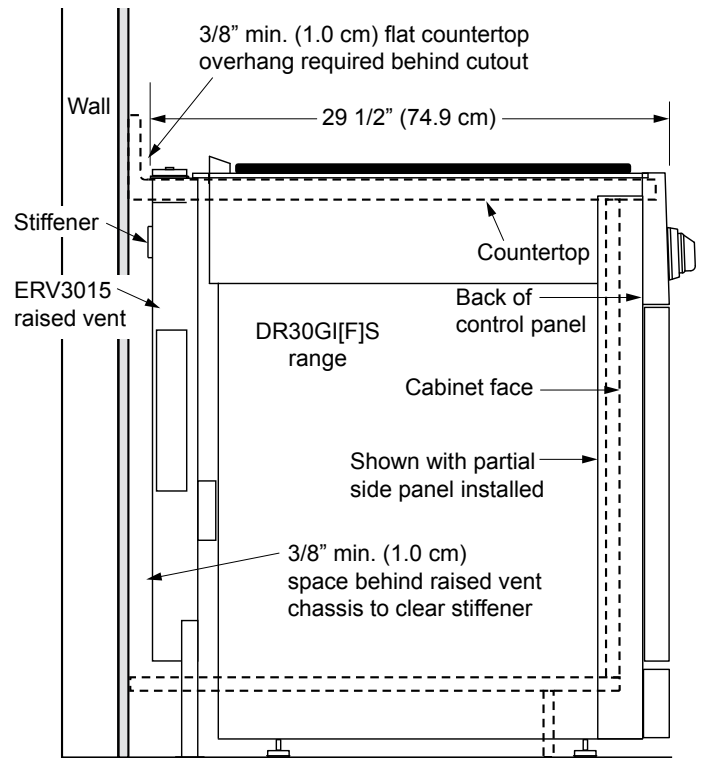
**NOTE:** For all raised vent installations, use only Dacor raised vent model ERV3015. This configuration is not compatible with cabinet blower model CABP3.



**24" - 24 1/4" CABINET DEPTH  
PARTIAL SIDE PANELS INSTALLED (TOP VIEW)<sup>2, 3</sup>**

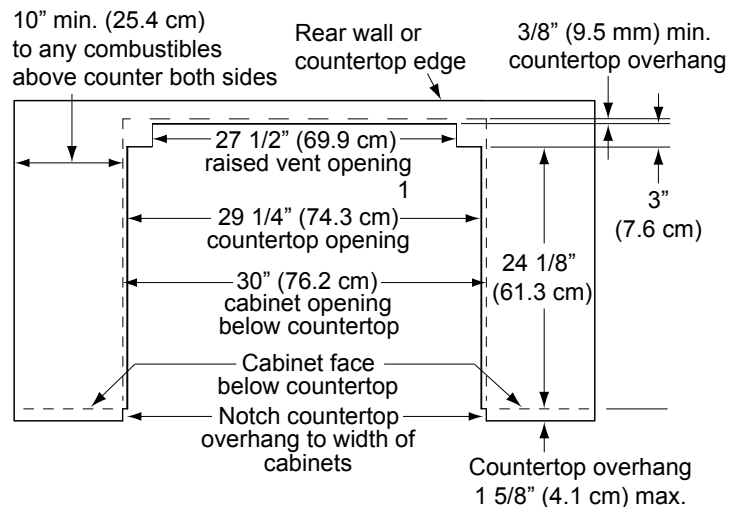


**24 1/4" - 27 1/2" CABINET DEPTH  
PARTIAL SIDE PANELS INSTALLED (TOP VIEW)<sup>4</sup>**



**IMPORTANT:** If optional side panels are not installed cabinet face must be flush with back of control panel.

### SIDE VIEW - DR30GI[F]S RANGE AND ERV3015 RAISED VENT



**CUSTOM CABINET 27 1/2" OR DEEPER,  
PARTIAL SIDE PANELS REMOVED (TOP VIEW)<sup>4</sup>**

<sup>1</sup> To create a "built-in look" on the front of the cabinet, this dimension may be changed to 29 1/4" (74.3 cm). Width notches remains 30".  
<sup>2</sup> For 24 to 24 1/4 inch deep cabinets, the side panels and control panel will protrude from the cabinet face a total of 5 5/8 inches.  
<sup>3</sup> Revision A ranges only: Raised vent trim piece and 3 1/2 inch side panels (Dacor PN ADTK30GSR24) must be installed to cover the front of the raised vent chassis in back and range chassis on sides.  
<sup>4</sup> Revision A ranges only: Optional raised vent trim piece (Dacor PN ADTK30GSR) must be installed to cover the front of the raised vent chassis in back.