

AGA Dual Control 5-Oven Cast Iron Range - Natural Gas



Model # ADC5G



- Cast Iron Ovens use Natural Gas and the Hotplates use Electric
- Cast iron radiant heat cooking throughout each oven and both hotplates providing 10 Cooking Methods in one range
- Three Large Capacity Multi-Function Cast Iron Ovens – Roasting oven (approx. 425°F-475°F), Baking oven (approx. 325°F-375°F) and Slow Cook oven (approx. 212°F-245°F)
- The hot cupboard offers two ovens (non-castiron) operated by a push button control – Warming Oven (165°F) and Simmering Oven (212°F)
- 16 ¼"H x 14 ⅛"W Cast Iron Warming Plate atop the Warming Ovens
- External fan assisted power venting
- Two 14 ½" diameter Cast Iron Hotplates – Boiling hotplate (626°F) and Simmering hotplate (392°F) can accommodate extra-large pans or may be used as a griddle cooking surface
- Three Cooking Modes – Off, Slumber or On
- The ovens are heated by a single Heat Source giving gradual radiant heat to bring solid cast iron up to temperature
- Ovens will heat to full temperature in 8 hours from cold or 4 hours from Slumber; Hotplates take under 11 minutes to reach full temperature
- Hotplates operate independent from the ovens and separate from each other

ORDERING DETAILS	MODEL #
Black	ADC5G-BLK
Claret	ADC5G-CLT
Cream	ADC5G-CRM
White	ADC5G-WHT
Pewter	ADC5G-PWT
British Racing Green	ADC5G-BRG
Dark Blue	ADC5G-DBL
Pearl Ashes	ADC5G-PAS
Aubergine	ADC5G-AUB
Duck Egg Blue	ADC5G-DEB
Heather	ADC5G-HEA
Pistachio	ADC5G-PIS
Aqua	ADC5G-AQU
Lemon	ADC5G-LEM
Rose	ADC5G-ROS

Cast iron range is coated in hygienic, easy-to-clean vitreous enamel and is available in 15 colors



Heather

White

Rose

Pistachio

Pewter

Pearl Ashes

Lemon



Aubergine

Aqua

Duck Egg Blue

Dark Blue

Cream

Claret

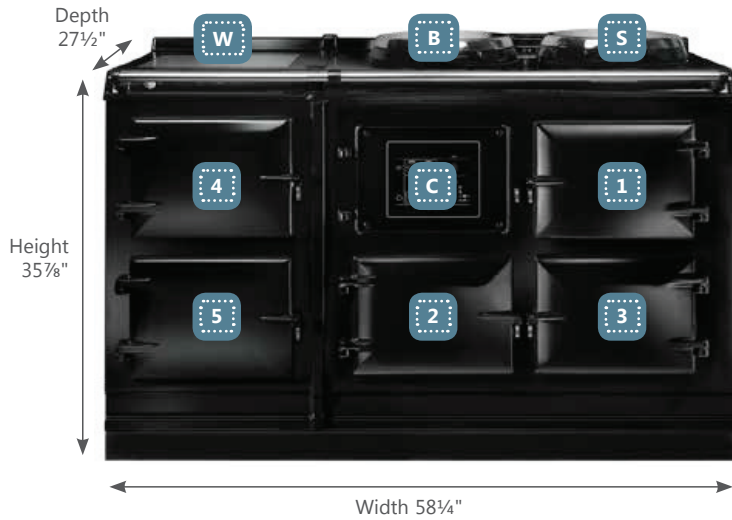
British Racing Green

Black

AGA Dual Control 5-Oven Cast Iron Range - Natural Gas

AGA

Model # ADC5G



Technical Specifications	
Overall Dimensions	58¼"W x 27½"D x 35⅞" H
1. Roasting Oven	9⅞"H x 13⅝"W x 18¾"D
2. Baking Oven	9⅞"H x 13⅝"W x 18¾"D
3. Slow Cook Oven	9⅞"H x 13⅝"W x 18¾"D
4. Simmering Oven	9⅞"H x 13⅝"W x 20¼"D
5. Warming Oven	9⅞"H x 13⅝"W x 20¼"D
W. Warming Plate	16 ¼"H x 14 ⅞"W
B. Boiling Plate	14½" Dia
S. Simmering Plate	14½" Dia
C. Control Panel	9⅞"H x 13⅝"W
Weight	1058 lbs
Shipping Weight	1314 lbs
Electrical Requirements	240v, 40amp, 60Hz / 110v, 15amp for Warming Oven
Fuel/Power	Natural Gas Ovens, Electric Hotplates and Warming Ovens
Vent Options	External venting flue
Warranty	5 Year Limited Warranty 1 Year Warranty on Labor
Shipping Instruction	Ships assembled in two parts with extended handle on exterior of crate

Complimentary Cookware Included

- (1) 13" x 18" Large Enameled Roasting Pan with Broiling Rack
- (1) 12 ½" x 13 ½" Half Size Enameled Roasting Pan with Broiling Rack
- (2) 18 ¾" x 13 ½" Floor Grids
- (3) 17" x 13 ½" Oven Grid Shelves
- (1) Cold Plain Shelf
- (1) Hotplate Toaster
- (1) Wire Brush

AGA Kitchen Concierge
1.800.525.5601



CAST IRON EVIDENCE

Acclaimed as one of the most perfect mediums for great cooking because it retains heat well, has even heat distribution and radiates a gentle heat

aiding food in flavor retention and succulence.

Cast iron cooking means ease of cleaning because oven splashes and spills are carbonized and simply require wiping out. An AGA also means fewer intrusive cooking smells.

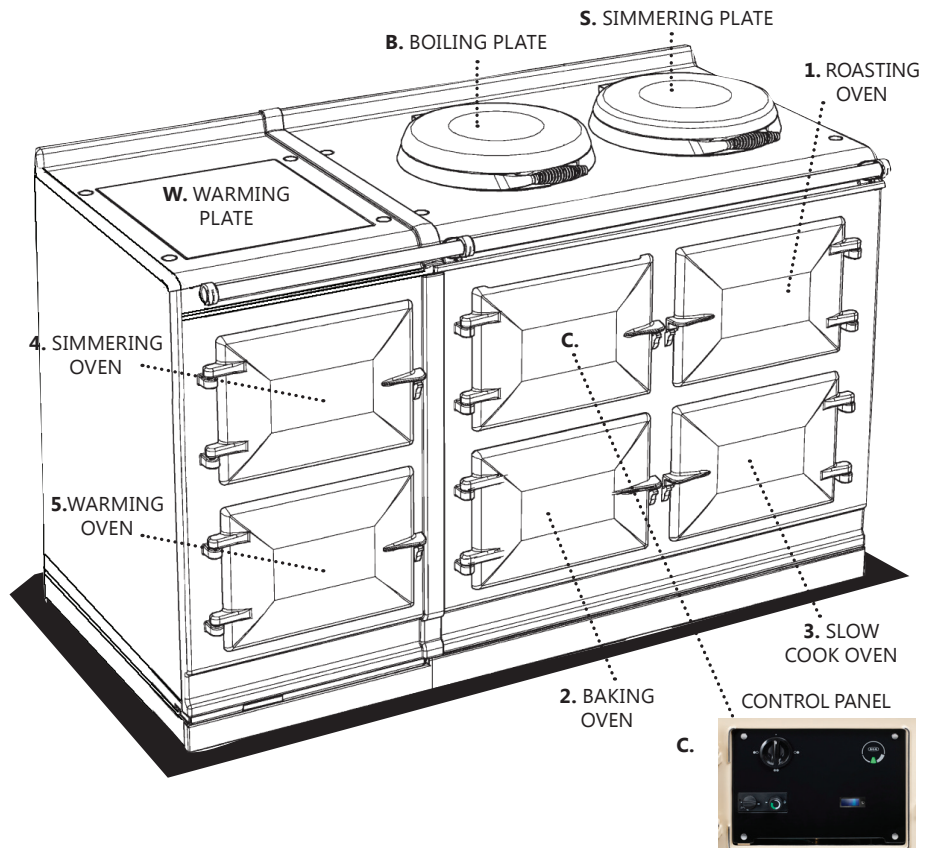
The cast iron AGA is made from 70% recycled material and is itself 95% recyclable. Inside every new AGA is a bit of an old one.

INSULATED COVERS



The distinctive hallmark of the AGA, the highly polished stainless steel insulated covers are brought down over the hotplates to help contain

the heat when on and protect the hotplate when off.

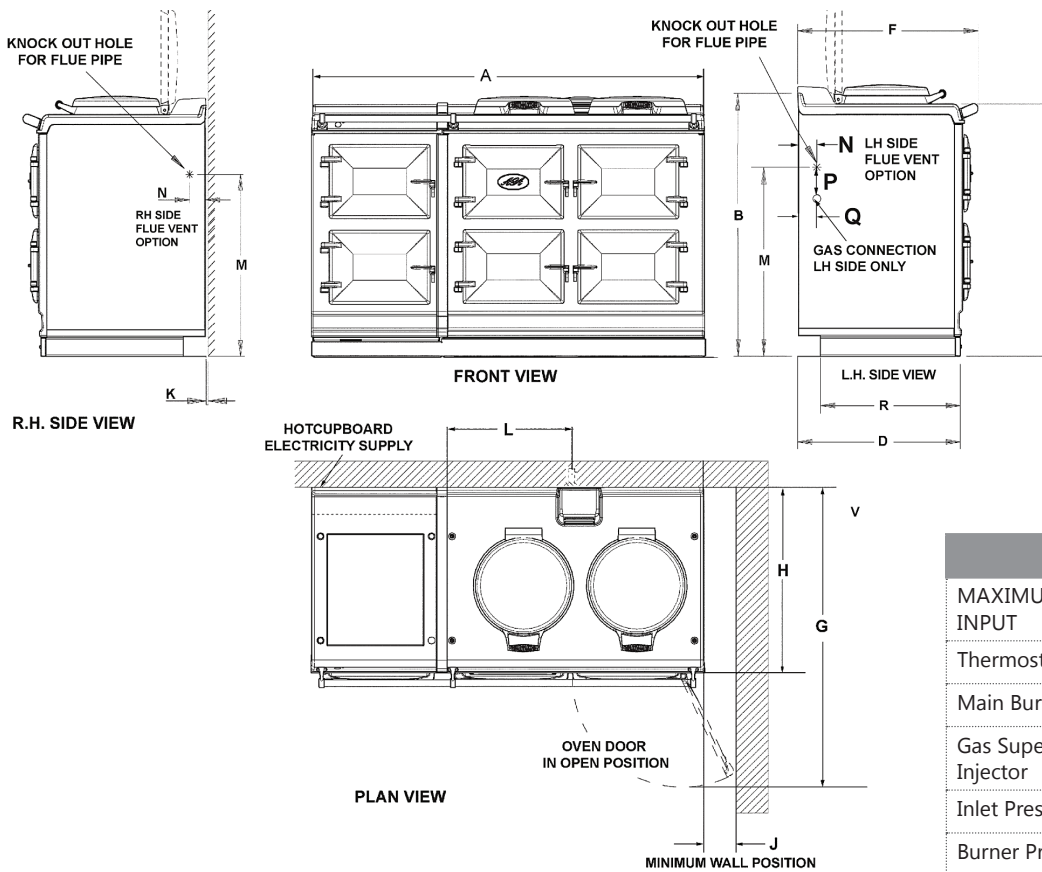


AGA Dual Control 5-Oven Cast Iron Range - Natural Gas

AGA

Model # ADC5G

Installation



NATURAL GAS	
MAXIMUM HEAT INPUT	6,800 Btu/hr
Thermostat Bypass	70
Main Burner Injector	112
Gas Supervision Injector	4212
Inlet Pressure	8" w.g.
Burner Pressure	4" w.g.

	A	B	C	D	E	F	G	H	J	K	L	M	N	P	Q	R
mm	1478	948	910	680	1388	756	1145	698	116	10	565	689	43	118	55	634
ins	58 1/4	37 3/8	35 7/8	26 3/4	54 5/8	29 3/4	45 1/8	27 1/2	4 5/8	3/8	22 1/4	27 1/8	1 3/4	4 5/8	2 1/8	25

Range Dimensions

When surveying for a range installation the actual clearance required for the 'body' of the appliance should be increased by 3/8" beyond the figures quoted above. This allows safe margin to take into account the natural dimensional variations found in major castings. In particular the width across the appliance recess could be critical.

Range Base or Hearth

It is essential that the base or hearth on which the range stands should be level and be capable of supporting the total weight of the range. The base of the built-in AGA plinth must be level and sit above the finished height for service access.

Plinth

The front plinth cover is removable and must not be obstructed by flooring or tiles. If necessary the range must be raised by the thickness of the tiles to ensure the plinth can be removed.

Rear Wall

The wall behind the range must be of non-combustible material with a minimum thickness of 1" (25mm).

Minimum Clearances to Combustibles

A gap of at least 1/2" must be observed between the rear of the top plate, and the wall behind the range. If the rear wall is of combustible material there must be a gap of 1 1/2" (38mm).

Side Clearances

A 1/8" (3mm) gap is required each side between the range top plate and adjoining work surfaces that may be fitted, this is to allow for the safe removal of the top plate should this be required at a later date.

Where ranges are to be fitted against a side wall a 4 5/8" (116mm) clearance is required on the right and left hand side for oven door access. If the AGA is to be installed in a brick recess, then the minimum clearance should be increased by at least 3/8" (10mm), to allow for the walls not being square.

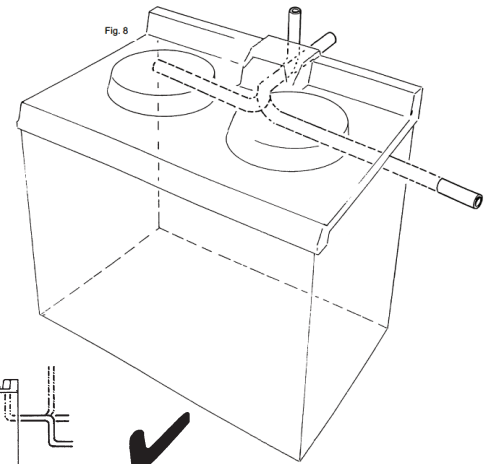
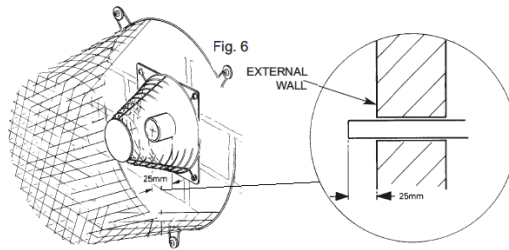
In addition a minimum clearance of 39 3/8" (1000mm) must be available at the front of the range to enable the range to be serviced.

AGA Dual Control 5-Oven Cast Iron Range - Natural Gas

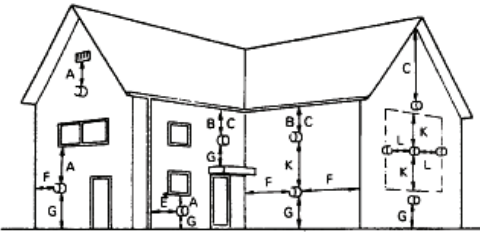
AGA

Model # ADC5G

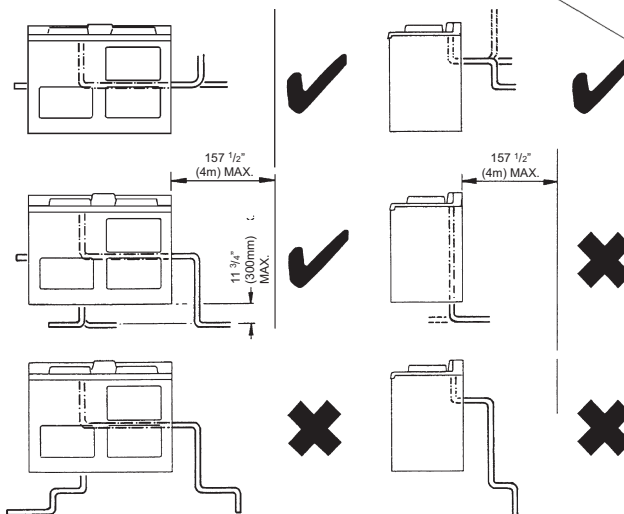
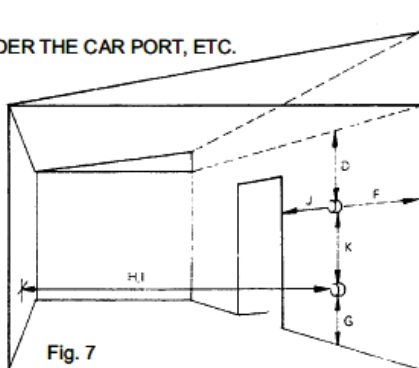
External Venting



AROUND THE HOUSE



UNDER THE CAR PORT, ETC.



DOWNWARD RUNS UP TO 11 3/4" (300mm) BELOW THE APPLIANCE ARE ALLOWED, PROVIDED ONLY ONE BEND IS USED.

DOWNWARD RUNS USING 2 BENDS ARE **NOT** ALLOWED.

Fig. 9

Position Spacing	Minimum inch (mm)
A Directly below an openable window, air vent, or any other ventilation opening	11 3/4" (300)
B Below gutter, drain/soil pipe	3" (75)
C Below eaves	7 7/8" (200)
D Below a balcony or car port roof	7 7/8" (200)
E From vertical drain pipes and soil pipes	5 7/8" (150)
F From internal or external corners	11 3/4" (300)
G Above adjacent ground or balcony level	11 3/4" (300)
H From surface facing the terminal	23 5/8" (600)
I Facing terminals	47 1/4" (1200)
J From opening (door/window) in car port into dwelling	47 1/4" (1200)
K Vertical from a terminal	59" (1500)
A Horizontally from a terminal	11 3/4" (300)

Flue System

The flue system must be installed in accordance with the federal, state and local codes.

Products of combustion discharge is by a fan powered flue pipe of 2" (50mm diameter) which can reach up to 13' (4 metres) in length through a maximum of 4 x 90° bend. Exits from the appliance can be from rear, LH or RH sides. (See Figs. 8 and 9).

The flue pipe should protrude through the outside wall fixing plate by 1" (25mm) (See Fig. 6).

Terminal Position

The minimum acceptable spacings from the terminal to obstructions and ventilation openings are as shown in Fig. 7.

Where the terminal is fitted within 23 5/8" (600mm) below plastic guttering an aluminium shield 39 3/8" (1000mm) long should be fitted to the underside and immediately beneath the guttering or eaves.

Where the terminal is fitted within 17 3/4" (450mm) below eaves or painted guttering an aluminium shield 29 1/2" (750mm) long should be fitted to the underside and immediately beneath the guttering or eaves.

Terminal Protection

A terminal guard is supplied with the range and must be fitted, if flue termination is less than 78 3/4" (2 metres) above ground level, or subject to damage.

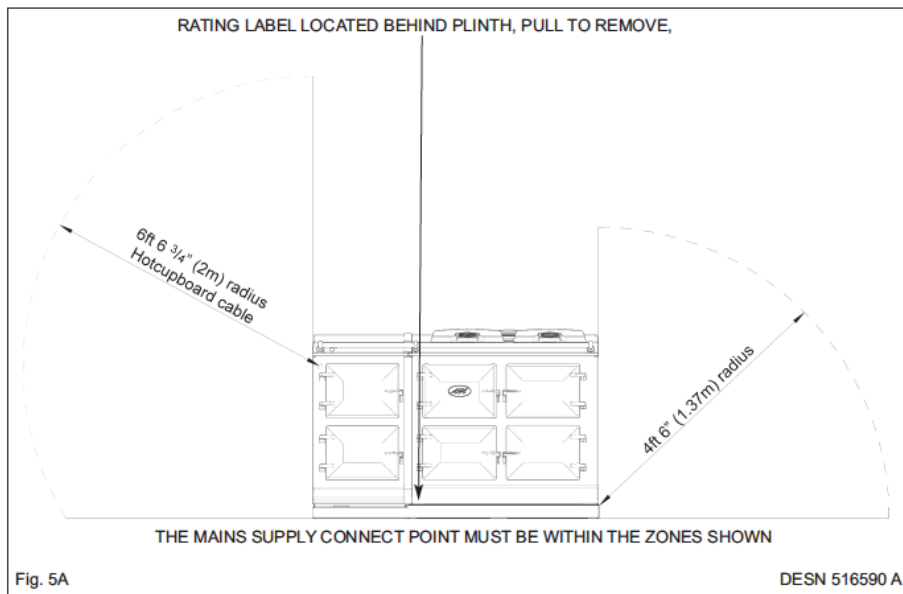
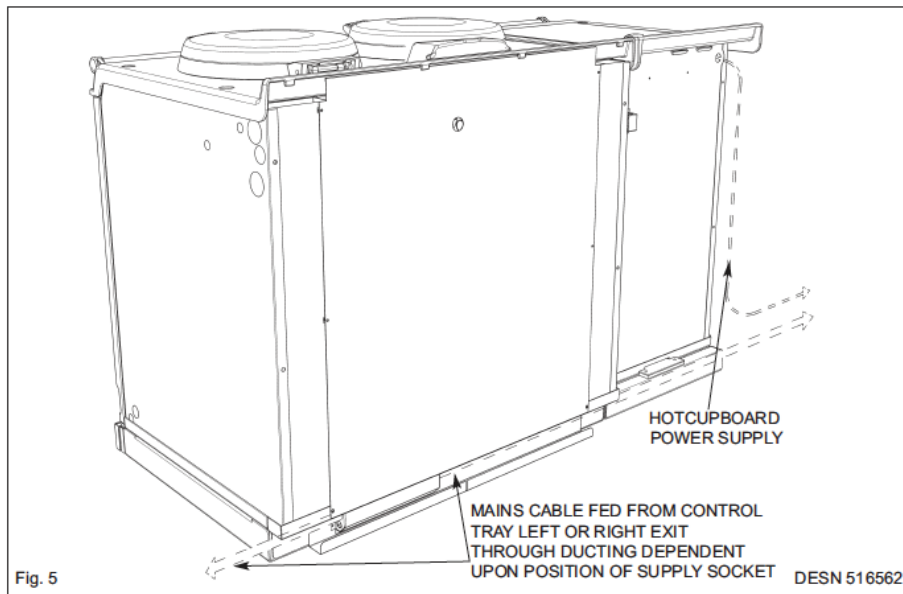
When fitted, it must be positioned to provide a minimum of 2" (50mm) clearance from any part of the terminal and be central over the terminal.

AGA Dual Control 5-Oven Cast Iron Range - Natural Gas

AGA

Model # ADC5G

Hotcupboard Power Supply



The hotcupboard attachment requires an independent single phase supply. It has a maximum load of 6 amps, protected by an appropriate branch circuit supply. 110/120V FLEXIBLE CORD and PLUG PARALLEL TYPE (NEMA 5-15P). The appliance when installed must be electrically grounded with local or regional codes.

An electrical socket must be provided within 5 feet of the LH side of the appliance and easily accessible for the user to disconnect. Do not position the socket above the appliance. See Fig. 5A.

Take special care when cutting holes in wall or floor. Electrical wires may be behind the wall or floor covering and could cause an electrical shock if you touch them. Locate any electrical circuits that could be affected by the installation of this product and disconnect power circuit.

WARNING – Electrical Grounding Instructions

This appliance is equipped with a NEMA 5-15P grounded plug for your protection against a shock hazard and should be plugged directly into a proper receptacle. Do not cut or remove the grounding prong from this plug.

Do not have a fuse in the neutral or grounding circuit. A fuse in the neutral or grounding circuit could result in electrical shock.

Do not use an extension lead with this appliance. Check with a qualified electrician, if you are not sure the appliance is properly grounded. Failure to follow these instructions could result in death or serious injury.