



IT'S WATER. REFRESHED.

# 2022 HYDROTAP BY ZIP RETAIL PRICE BOOK



**Hydrotap by Zip Price Book**  
Effective January 1, 2022  
[www.pinnacleexpress.com](http://www.pinnacleexpress.com)  
800-292-8374

# TABLE OF CONTENTS

	Page
The Hydrotap Difference	3
Build Your Hydrotap System	4
Underbench Base Units	8
Classic Faucets	10
Wave Touch-Free Faucets	11
Arc Faucets	12
Cube Faucets	13
Celsius All-In-One Faucets	14
Design Fonts and Other Accessories	15
Technical Information	16
Terms and Conditions of Sale	18

**Stock items are listed in red; however, inventory levels are subject to change. In order to plan your purchases accordingly we encourage you to check our live inventory by accessing the dealer login on [www.pinnaclesalesgroup.com](http://www.pinnaclesalesgroup.com)**

*This price list supercedes all prices found in previous price lists and is subject to change without notice.*

# WHY ZIP WATER HYDROTAP?

## 70 YEARS OF INNOVATION



Founded in 1947, Zip Water is known globally for their advancements in residential drinking water systems.

## WATER FOR EVERY TASTE PALATE



Provides instant filtered boiling, chilled and sparkling water at your fingertips.



## ENERGY EFFICIENT



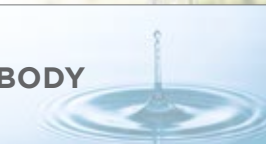
Reduces power consumption by up to 30% and costs approximately \$1.00 per week to operate.

## GOOD FOR THE ENVIRONMENT



Reduces your environmental impact by eliminating the need for plastic bottled water.

## GOOD FOR YOUR BODY



Safely filters down to 0.2 micron removing taste, odor, dirt, contaminants, lead and reducing levels of chlorine and microbiological cysts.

## DESIGNS AND FINISHES



Faucets are available in 5 designs with options of up to 7 finishes

## SAFE FOR ALL USERS



Cool touch faucet and boiling water safety lock makes Hydrotap the safe water dispensing choice for your family.

## AFTER SALE SUPPORT



Hydrotap products hold a comprehensive parts and labor warranty for 2 years, when registered.





# BUILD YOUR HYDROTAP SYSTEM



The HydroTap by Zip Water provides instant, filtered boiling, chilled and sparkling water plus unfiltered hot & cold water—all from a single tap!

Whether used as a primary faucet, as a point-of-use faucet, or installed over a drip tray, the HydroTap delivers water at its best.



FILTERED  
**BOILING**



FILTERED  
**CHILLED**




FILTERED  
**SPARKLING**



UNFILTERED  
**HOT & COLD**

## 1 CHOOSE ONE OF THREE FILTERED WATER OPTIONS:



**FILTERED**

**Boiling**  
**Chilled**  
**Sparkling**


Command Unit  
01037423

— and —

CO2 regulator  
01034349

— and —


CO2 cannister  
01034347  
(1.5 lb included,  
5 lb. optional)



**FILTERED**

**Boiling**  
**Chilled**

Command Unit  
01037424



**FILTERED**

**Chilled**  
**Sparkling**

Command Unit  
01037425

— and —

CO2 regulator  
01034349

— and —

CO2 cannister  
01034347  
(1.5 lb included,  
5 lb. optional)

## 2 CHOOSE ONE OF FIVE FAUCET DESIGNS WITH MULTIPLE COLOR OPTIONS:

CLASSIC FAUCETS	Color Options		
	Bright Chrome	Brushed Chrome	Matte Black
<b>Boiling</b> <b>Chilled</b> <b>Sparkling</b>	01034208 <input type="radio"/>	01034209 <input type="radio"/>	01034210 <input type="radio"/>
<b>Boiling</b> <b>Chilled</b>	01034211 <input type="radio"/>	01034212 <input type="radio"/>	01034213 <input type="radio"/>
<b>Chilled</b> <b>Sparkling</b>	01034214 <input type="radio"/>	01034215 <input type="radio"/>	01034216 <input type="radio"/>

TOUCH-FREE WAVE	Color Options	
	Bright Chrome	Matte Black
<b>Boiling</b> <b>Chilled</b> <b>Sparkling</b>	01041859 <input type="radio"/>	01042557 <input type="radio"/>
<b>Boiling</b> <b>Chilled</b>	01041860 <input type="radio"/>	01042558 <input type="radio"/>
<b>Chilled</b> <b>Sparkling</b>	01041861 <input type="radio"/>	

	Bright Chrome	Brushed Chrome	Matte Black	Brushed Gold	Nickel	Brushed Nickel	Gunmetal
Boiling Chilled Sparkling	01034217 ○	01034218 ○	01034219 ○	01034221 ○	01034222 ○	01034223 ○	01041862 ○
Boiling Chilled	01034224 ○	01034225 ○	01034226 ○	01034228 ○	01034229 ○	01034230 ○	01041865 ○
Chilled Sparkling	01034231 ○	01034232 ○	01034233 ○	01034235 ○	01034236 ○	01034237 ○	01041867 ○

	Bright Chrome	Brushed Chrome	Matte Black	Brushed Gold	Nickel	Brushed Nickel	Gunmetal
Boiling Chilled Sparkling	01034238 ○	01034239 ○	01034240 ○	01034242 ○	01034243 ○	01034244 ○	01041863 ○
Boiling Chilled	01034245 ○	01034246 ○	01034247 ○	01034249 ○	01034250 ○	01034251 ○	01041866 ○
Chilled Sparkling	01034252 ○	01034253 ○	01034254 ○	01034256 ○	01034257 ○	01034258 ○	01041868 ○

	Bright Chrome	Brushed Chrome	Matte Black	Brushed Gold	Nickel	Brushed Nickel	Gunmetal
Boiling Chilled Sparkling	01034259 ○	01034260 ○	01034261 ○	01034263 ○	01034264 ○	01034265 ○	01041864 ○

### 3 CHOOSE YOUR OPTIONAL ACCESSORIES

<p>DRIP TRAY FOR CLASSIC &amp; Wave</p>	<p>DRIP TRAY FOR ARC AND CUBE</p>	<p>ZIP SCALE PREVENTION FILTER</p>
---	-----------------------------------	------------------------------------

Full list of fonts and optional accessories listed on page 15.



# Winner of Kitchen + Bath Business Innovators Award for 2019 Kitchen Product of the Year



”

*Experience The Hydrotap Effect.*

*It's Water. Refreshed.*

“

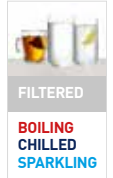


## UNDERBENCH BASE UNITS

### BCS (BOILING, CHILLED, SPARKLING)

#### Features

- Single Unit that Provides Instant Filtered, Boiling, Chilled and Sparkling
- 2 Year Warranty
- 0.2 Micron Built-In Filtration
- Boiling Water Safety Mode on Faucet
- Refillable CO<sub>2</sub> Cylinder (Sold Separately)
- Power-Pulse Technology Maintains Boiling Water Within 0.4°F of Set Temperature
- Air-Cooled Refrigeration System Allows System to Maintain 100% Water Efficiency
- Boiling Water is Factory Set at 209°F
- Chilled Water is Factory Set at 44°F
- Sparkling Water is Factory Set at 44°F
- 01037423 Capacity  
85 cups of Boiling Water per Hour - 120v  
75 cups of Chilled or Sparkling Water Per Hour
- 01034202 Capacity  
160 Cups of Boiling Water per Hour  
175 Cups of Chilled or Sparkling Water per Hour
- **Must Order CO<sub>2</sub> and Regulator Separately**



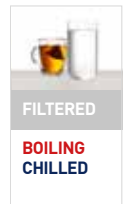
*\* Faucet Sold Separately*

New Item Number	Description	MAP	MSRP
01037423	Boiling, Chilled, Sparkling Kit Unit, 120v	\$3,879	\$4,073
01034202	Boiling, Chilled, Sparkling Kit Unit, Large Commercial, 240v	\$5,249	\$5,512
01034347	CO <sub>2</sub> - 1.5 lb Refillable/Recyclable Cylinder- Qty. 2	\$199	\$209
01034348	CO <sub>2</sub> - 5 lb Refillable/Recyclable Cylinder - Qty. 1	\$215	\$226
01034349	CO <sub>2</sub> Regulator	\$172	\$181

### BC (BOILING, CHILLED)

#### Features

- Single Unit that Provides Instant Filtered, Boiling and Chilled Water
- 2 Year Warranty
- 0.2 Micron Built-In Filtration
- Boiling Water Safety Mode on Faucet
- Power-Pulse Technology Maintains Boiling Water Within 0.4°F of Set Temperature
- Air-Cooled Refrigeration System Allows System to Maintain 100% Water Efficiency
- Boiling Water is Factory Set at 209°F
- Chilled Water is Factory Set at 44°F
- 01037424 Capacity  
85 cups of Boiling Water per Hour - 120v  
75 cups of Boiling Per Hour Water
- 01034205 Capacity  
160 Cups of Boiling Water per Hour  
125 Cups of Chilled Water per Hour



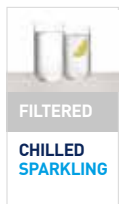
*\* Faucet Sold Separately*

New Item Number	Description	MAP	MSRP
01037424	Boiling, Chilled Kit Unit, CO <sub>2</sub> , Regulator, 120v	\$3,654	\$3,837
01034205	Boiling, Chilled Unit, Large Commercial, 240v	\$4,769	\$5,008

### CS (CHILLED, SPARKLING)

#### Features

- Single Unit that Provides Instant Filtered, Chilled and Sparkling Water
- 2 Year Warranty
- 0.2 Micron Built-In Filtration
- Refillable CO<sub>2</sub> Cylinder (Sold Separately)
- Air-Cooled Refrigeration System Allows System to Maintain 100% Water Efficiency
- Chilled Water is Factory Set at 44°F
- Sparkling Water is Factory Set at 44°F
- 01037425 Capacity  
75 Cups of Chilled or Sparkling Water per Hour
- 01034207 Capacity  
175 Cups of Chilled or Sparkling Water per Hour
- **Must Order CO<sub>2</sub> and Regulator Separately**



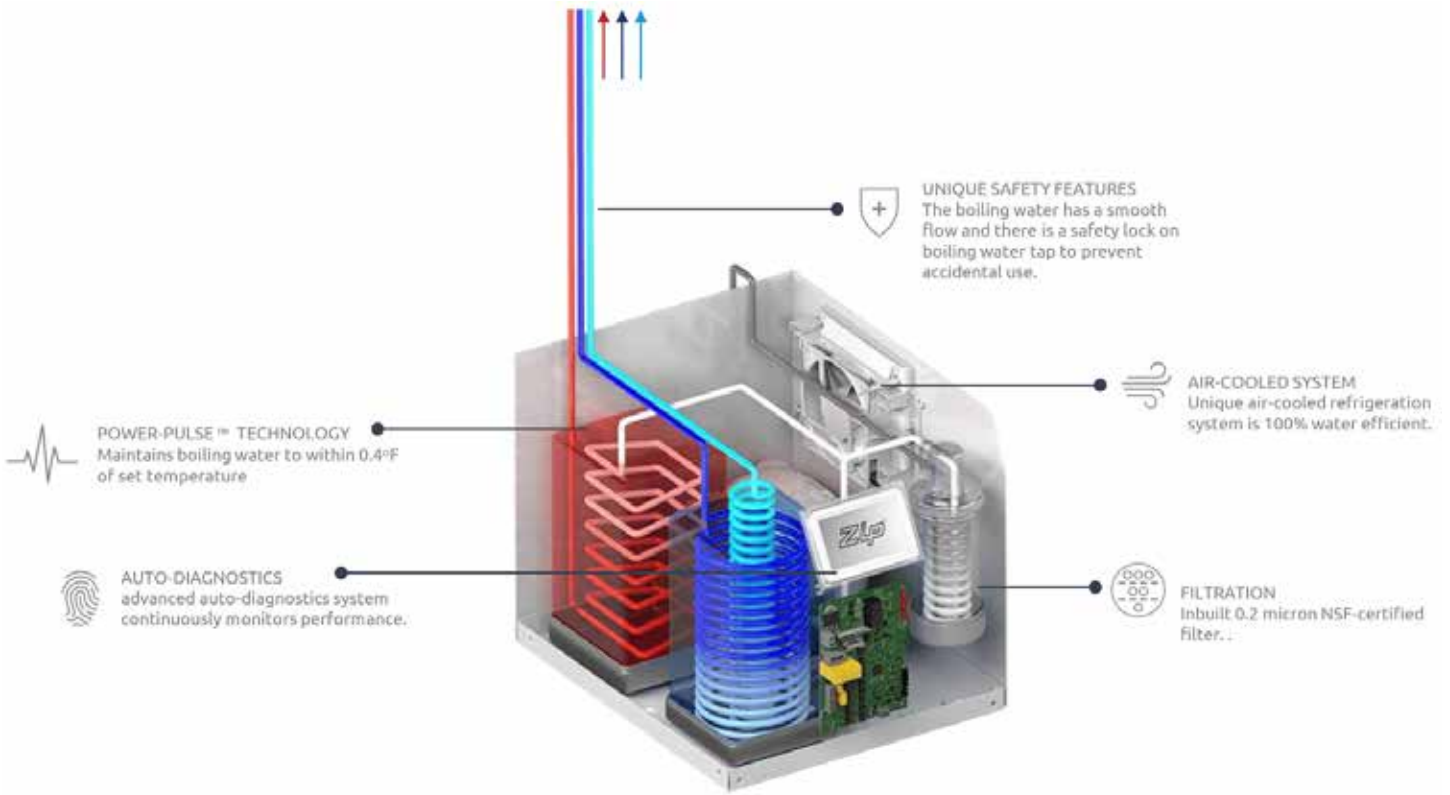
*\* Faucet Sold Separately*

New Item Number	Description	MAP	MSRP
01037425	Chilled, Sparkling Kit Unit, 120v	\$3,283	\$3,448
01034207	Chilled, Sparkling Kit Unit, Large Commercial, 240v	\$3,599	\$3,779
01034347	CO <sub>2</sub> - 1.5 lb Refillable/Recyclable Cylinder- Qty. 2	\$199	\$209
01034348	CO <sub>2</sub> - 5 lb Refillable/Recyclable Cylinder - Qty. 1	\$215	\$226
01034349	CO <sub>2</sub> Regulator	\$172	\$181

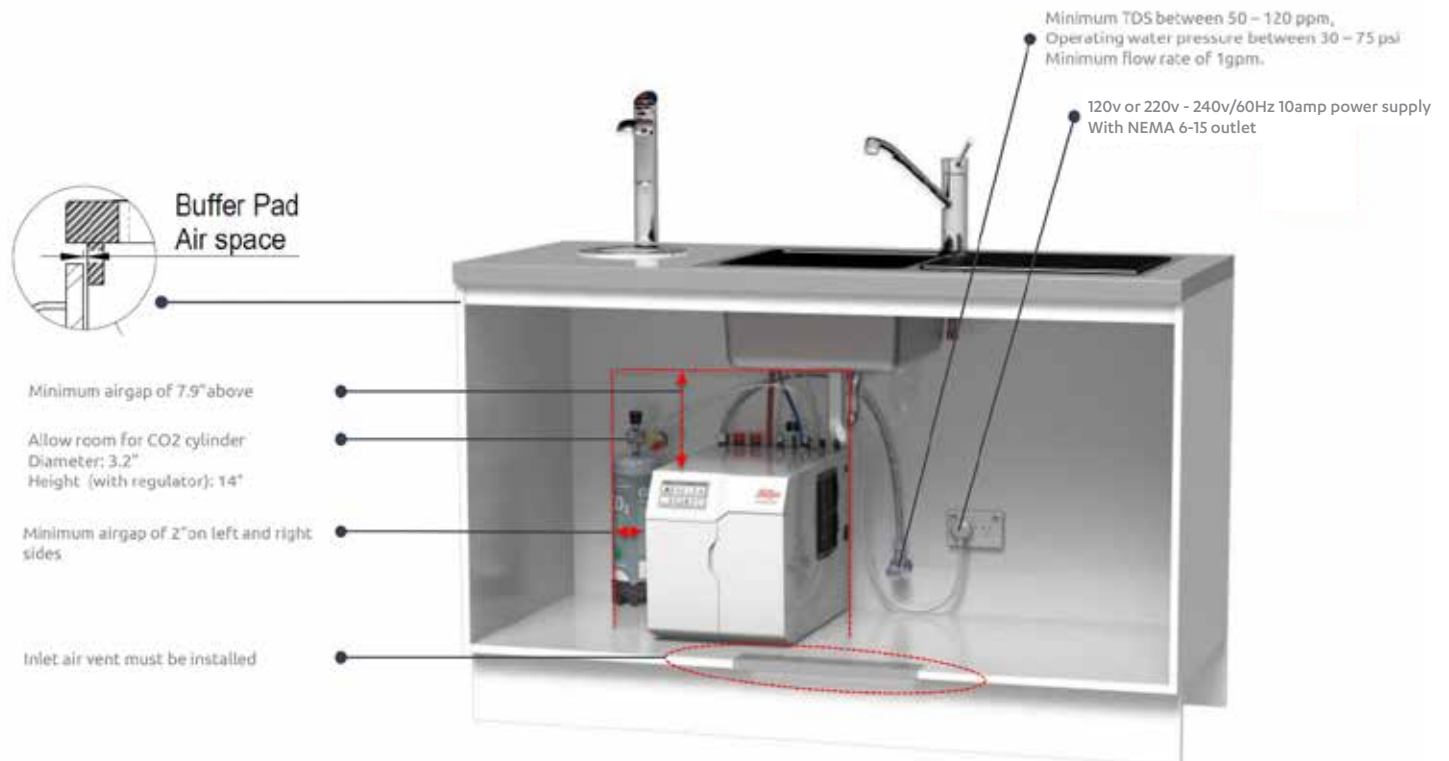
Optional accessories listed on page 15.

Inventory levels are subject to change, check stock via Dealer Login on [www.pinnaclesalesgroup.com](http://www.pinnaclesalesgroup.com)

## UNDERBENCH BASE FEATURES



## PRODUCT INSTALLATION



(Picture showing 240v installation, also available in 120v)

## ZIP WATER FAUCETS

### CLASSIC



(Shown with font on page 13)

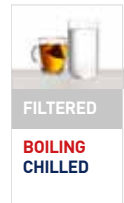
#### Features

- For use with BCS, BC or CS underbench units
- Available in chrome, brushed chrome or matte black
- Installation over sink or with optional font
- Boiling water is only dispensed after safety lock is activated
- Chilled and sparkling water can be dispensed using “no-touch” technology



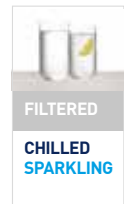
#### Boiling | Chilled | Sparkling Faucet Only

New Item Number	Previous Item Number	Description	MAP	MSRP
01034208	CLASSIC-BCS-C	Faucet, Classic BCS, Chrome	\$749	\$787
01034209	CLASSIC-BCS-BC	Faucet, Classic BCS, Brushed Chrome	\$1,095	\$1,150
01034210	CLASSIC-BCS-MB	Faucet, Classic BCS, Matte Black	\$1,095	\$1,150



#### Boiling | Chilled Faucet Only

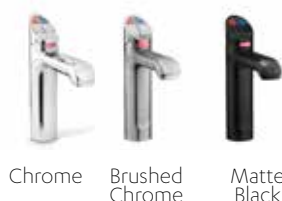
New Item Number	Previous Item Number	Description	MAP	MSRP
01034211	CLASSIC-BC-C	Faucet, Classic BC, Chrome	\$749	\$787
01034212	CLASSIC-BC-BC	Faucet, Classic BC, Brushed Chrome	\$1,095	\$1,150
01034213	CLASSIC-BC-MB	Faucet, Classic BC, Matte Black	\$1,095	\$1,150



#### Chilled | Sparkling Faucet Only

New Item Number	Previous Item Number	Description	MAP	MSRP
01034214	CLASSIC-CS-C	Faucet, Classic CS, Chrome	\$749	\$787
01034215	CLASSIC-CS-BC	Faucet, Classic CS, Brushed Chrome	\$1,095	\$1,150
01034216	CLASSIC-CS-MB	Faucet, Classic CS, Matte Black	\$1,095	\$1,150

#### AVAILABLE IN :



Chrome    Brushed Chrome    Matte Black

Fonts and optional accessories listed on page 15.

Inventory levels are subject to change, check stock via Dealer Login on [www.pinnaclesalesgroup.com](http://www.pinnaclesalesgroup.com)

STOCK ITEMS LISTED IN RED

## ZIP WATER FAUCETS

### WAVE TOUCH-FREE



#### Features

- For use with BCS, BC or CS underbench units
- Water dispensed using motion activated “touch-free” technology
- Infrared smart sensors detect hand movement
- Available in chrome or matte black
- Safety function ensures that water will not dispense unless within 1.5” of sensor
- Installation over sink or with optional font
- Boiling water is only dispensed after safety lock is activated

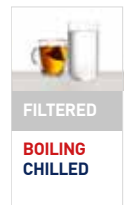


#### Boiling | Chilled | Sparkling Faucet Only

New Item Number	Description	MAP	MSRP
01041859	Faucet, Wave BCS, Chrome	<b>NEW</b>	\$1,095
01042557	Faucet, Wave BCS, Matte Black	<b>NEW</b>	\$1,425

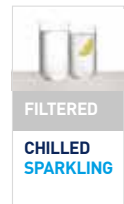


(Shown with font on page 13)



#### Boiling | Chilled Faucet Only

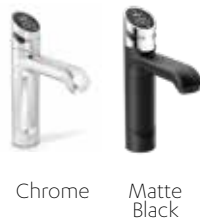
New Item Number	Description	MAP	MSRP
01041860	Faucet, Wave BC, Chrome	<b>NEW</b>	\$1,095
01042558	Faucet, Wave BC, Matte Black	<b>NEW</b>	\$1,425



#### Chilled | Sparkling Faucet Only

New Item Number	Description	MAP	MSRP
01041861	Faucet, Wave CS, Chrome	<b>NEW</b>	\$1,095

#### AVAILABLE IN :



Chrome

Matte Black

Fonts and optional accessories listed on page 15.

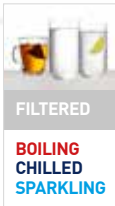
Inventory levels are subject to change, check stock via Dealer Login on [www.pinnaclesalesgroup.com](http://www.pinnaclesalesgroup.com)

## ZIP WATER FAUCETS

### ARC

#### Features

- For use with BCS, BC or CS underbench units
- Available in 7 finishes
- Installation over sink or with optional font (see page 15)
- Boiling water is only dispensed after safety lock is activated
- Adjustable spout height



#### Boiling | Chilled | Sparkling Only

New Item Number	Previous Item Number	Description	MAP	MSRP
01034217	ARC-C	Faucet, ARC BCS, Chrome	\$749	\$787
01034218	ARC-BC	Faucet, ARC BCS, Brushed Chrome	\$1,095	\$1,150
01034219	ARC-MB	Faucet, ARC BCS, Matte Black	\$1,095	\$1,150
01034221	ARC-BG	Faucet, ARC BCS, Brushed Gold	\$1,095	\$1,150
01034222	ARC-N	Faucet, ARC BCS, Nickel	\$1,095	\$1,150
01034223	ARC-BN	Faucet, ARC BCS, Brushed Nickel	\$1,095	\$1,150
01041862	N/A	Faucet, ARC BCS, Gunmetal	\$1,095	\$1,150

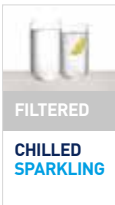
#### Boiling | Chilled Faucet Only

New Item Number	Previous Item Number	Description	MAP	MSRP
01034224	N/A	Faucet, ARC BC, Chrome	\$749	\$787
01034225	N/A	Faucet, ARC BC, Brushed Chrome	\$1,095	\$1,150
01034226	N/A	Faucet, ARC BC, Matte Black	\$1,095	\$1,150
01034228	N/A	Faucet, ARC BC, Brushed Gold	\$1,095	\$1,150
01034229	N/A	Faucet, ARC BC, Nickel	\$1,095	\$1,150
01034230	N/A	Faucet, ARC BC, Brushed Nickel	\$1,095	\$1,150
01041865	N/A	Faucet, ARC BC, Gunmetal	\$1,095	\$1,150



#### Chilled | Sparkling Faucet Only

New Item Number	Previous Item Number	Description	MAP	MSRP
01034231	N/A	Faucet, ARC CS, Chrome	\$749	\$787
01034232	N/A	Faucet, ARC CS, Brushed Chrome	\$1,095	\$1,150
01034233	N/A	Faucet, ARC CS, Matte Black	\$1,095	\$1,150
01034235	N/A	Faucet, ARC CS, Brushed Gold	\$1,095	\$1,150
01034236	N/A	Faucet, ARC CS, Nickel	\$1,095	\$1,150
01034237	N/A	Faucet, ARC CS, Brushed Nickel	\$1,095	\$1,150
01041867	N/A	Faucet, ARC CS, Gunmetal	\$1,095	\$1,150



#### AVAILABLE IN :



Chrome    Brushed Chrome    Matte Black    Brushed Gold    Nickel    Brushed Nickel    Gunmetal

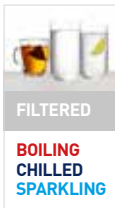
Fonts and optional accessories listed on page 15.

Inventory levels are subject to change, check stock via Dealer Login on [www.pinnaclesalesgroup.com](http://www.pinnaclesalesgroup.com)

STOCK ITEMS LISTED IN RED

## ZIP WATER FAUCETS

### CUBE



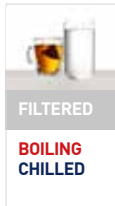
#### Features

- For use with BCS, BC or CS underbench units
- Available in 7 finishes
- Installation over sink or with optional font (see page 15)
- Boiling water is only dispensed after safety lock is activated
- Adjustable spout height

#### Boiling | Chilled | Sparkling Faucet Only

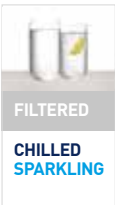
New Item Number	Previous Item Number	Description	MAP	MSRP
01034238	CUBE-C	Faucet, CUBE BCS, Chrome	\$749	\$787
01034239	CUBE-BC	Faucet, CUBE BCS, Brushed Chrome	\$1,095	\$1,150
01034240	CUBE-MB	Faucet, CUBE BCS, Matte Black	\$1,095	\$1,150
01034242	CUBE-BG	Faucet, CUBE BCS, Brushed Gold	\$1,095	\$1,150
01034243	CUBE-N	Faucet, CUBE BCS, Nickel	\$1,095	\$1,150
01034244	CUBE-BN	Faucet, CUBE BCS, Brushed Nickel	\$1,095	\$1,150
01041863	N/A	Faucet, CUBE BCS, Gunmetal	\$1,095	\$1,150

#### Boiling | Chilled Faucet Only



New Item Number	Previous Item Number	Description	MAP	MSRP
01034245	N/A	Faucet, CUBE BC, Chrome	\$749	\$787
01034246	N/A	Faucet, CUBE BC, Brushed Chrome	\$1,095	\$1,150
01034247	N/A	Faucet, CUBE BC, Matte Black	\$1,095	\$1,150
01034249	N/A	Faucet, CUBE BC, Brushed Gold	\$1,095	\$1,150
01034250	N/A	Faucet, CUBE BC, Nickel	\$1,095	\$1,150
01034251	N/A	Faucet, CUBE BC, Brushed Nickel	\$1,095	\$1,150
01041866	N/A	Faucet, CUBE BC, Gunmetal	\$1,095	\$1,150

#### Chilled | Sparkling Faucet Only



New Item Number	Previous Item Number	Description	MAP	MSRP
01034252	N/A	Faucet, CUBE CS, Chrome	\$749	\$787
01034253	N/A	Faucet, CUBE CS, Brushed Chrome	\$1,095	\$1,150
01034254	N/A	Faucet, CUBE CS, Matte Black	\$1,095	\$1,150
01034256	N/A	Faucet, CUBE CS, Brushed Gold	\$1,095	\$1,150
01034257	N/A	Faucet, CUBE CS, Nickel	\$1,095	\$1,150
01034258	N/A	Faucet, CUBE CS, Brushed Nickel	\$1,095	\$1,150
01041868	N/A	Faucet, CUBE CS, Gunmetal	\$1,095	\$1,150

#### AVAILABLE IN :



Fonts and optional accessories listed on page 15.

Inventory levels are subject to change, check stock via Dealer Login on [www.pinnacleexpress.com](http://www.pinnacleexpress.com)

## ZIP WATER FAUCETS CELSIUS ALL-IN-ONE



### Features

- For use with BCS underbench unit only
- Boiled, chilled and sparkling water are all filtered through a 0.2 micron cartridge
- Standard Hot and Cold Function
- Requires hot and cold water supply for installation
- Available in 7 finishes
- Installation over sink only
- Boiling water is only dispensed after safety lock is activated

FILTERED	UNFILTERED
<b>BOILING</b> <b>CHILLED</b> <b>SPARKLING</b>	<b>HOT &amp; COLD</b>

THIS PRODUCT NEEDS A HOT AND COLD WATER SUPPLY

### Boiling | Chilled | Sparkling All-In-One Faucet

New Item Number	Previous Item Number	Description	MAP	MSRP
01034259	CELSIUS-BCS-C	Faucet, Celsius AIO BCS, Chrome	\$1,295	\$1,360
01034260	CELSIUS-BCS-BC	Faucet, Celsius AIO BCS, Brushed Chrome	\$1,595	\$1,675
01034261	CELSIUS-BCS-MB	Faucet, Celsius AIO BCS, Matte Black	\$1,595	\$1,675
01034263	CELSIUS-BCS-BG	Faucet, Celsius AIO BCS, Brushed Gold	\$1,595	\$1,675
01034264	CELSIUS-BCS-N	Faucet, Celsius AIO BCS, Nickel	\$1,595	\$1,675
01034265	CELSIUS-BCS-BN	Faucet, Celsius AIO BCS, Brushed Nickel	\$1,595	\$1,675
01041864	N/A	Faucet, Celsius AIO BCS, Gunmetal	\$1,595	\$1,675

### AVAILABLE IN :



Optional accessories listed on page 15.

Inventory levels are subject to change, check stock via Dealer Login on [www.pinnaclesalesgroup.com](http://www.pinnaclesalesgroup.com)



## FONTS



### Fonts for Classic and Wave Faucets

New Item Number	Previous Item Number	Description	MAP	MSRP
01034266	CLASSIC-FONT-C	Drip Tray, Classic and Wave Font, Chrome	\$435	\$457
01034267	CLASSIC-FONT-BC	Drip Tray, Classic and Wave Font, Brushed Chrome	\$545	\$573
01034268	CLASSIC-FONT-MB	Drip Tray, Classic and Wave Font, Matte Black	\$545	\$573

### Fonts for Arc and Cube Faucets

New Item Number	Previous Item Number	Description	MAP	MSRP
01034269	DESIGN-FONT-C	Drip Tray, Design Font, Chrome	\$435	\$457
01034270	DESIGN-FONT-BC	Drip Tray, Design Font, Brushed Chrome	\$545	\$573
01034271	DESIGN-FONT-MB	Drip Tray, Design Font, Matte Black	\$545	\$573
01034273	DESIGN-FONT-BG	Drip Tray, Design Font, Brushed Gold	\$545	\$573
01034274	DESIGN-FONT-N	Drip Tray, Design Font, Nickel	\$545	\$573
01034275	DESIGN-FONT-BN	Drip Tray, Design Font, Brushed Nickel	\$545	\$573
01041881	N/A	Drip Tray, Design Font, Gunmetal	\$545	\$573



## ACCESSORIES



Item Number	Description	MAP	MSRP
01034276	Replacement Filter, 0.2 Micron, 1 Size	\$189	\$199
01034277	Replacement Filter, 0.2 Micron, 1.5 Size	\$211	\$222
01034278	Replacement Filter, 0.3 Micron, 1.5 Size	\$211	\$222
01034279	Replacement Filter, 0.2 Micron, 1.5 Size	\$211	\$222
01034347	Zip 2 x 1.5lb CO2 Refillable/Recyclable Cylinders	\$199	\$209
01034348	Zip 1 x 5lb CO2 Refillable/Recyclable Cylinder	\$215	\$226
01034349	Zip CO2 Regulator	\$172	\$181
01034280	Vent Tray, BC/BCS Models	\$162	\$171
01034281	Vent Tray, CS Models	\$162	\$171
01037879	Zip Scale Filter Installation Kit (2x Braided Hoses & Filter Head) - FL401	\$184	\$194
01037880	Zip PEX Lined Braided Hoses x 2 - 10mm Bore x 750mm - SR60013	\$33	\$35
01037881	Zip Scale Filter Head - 94527	\$111	\$117
01037868	Zip Scale Prevention Filter 2,250 liters (595 Gallons) - Replacement Cartridge - FL250	\$222	\$234
01037869	Zip Scale Prevention Filter 3,750 liters (990 Gallons) - Replacement Cartridge - FL500	\$260	\$273
01037870	Zip Scale Prevention Filter 7,000 liters (1,850 Gallons) - Replacement Cartridge - FL1000	\$362	\$381
01037871	Zip Scale Prevention Filter 10,000 liters (2,640 Gallons) - Replacement Cartridge - FL1500	\$484	\$509

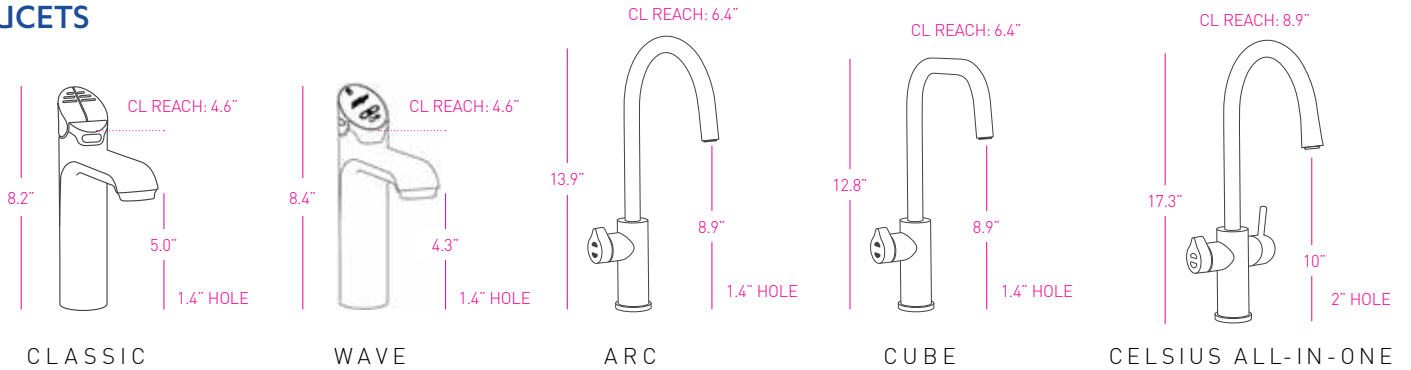
Inventory levels are subject to change, check stock via Dealer Login on [www.pinnacleexpress.com](http://www.pinnacleexpress.com)



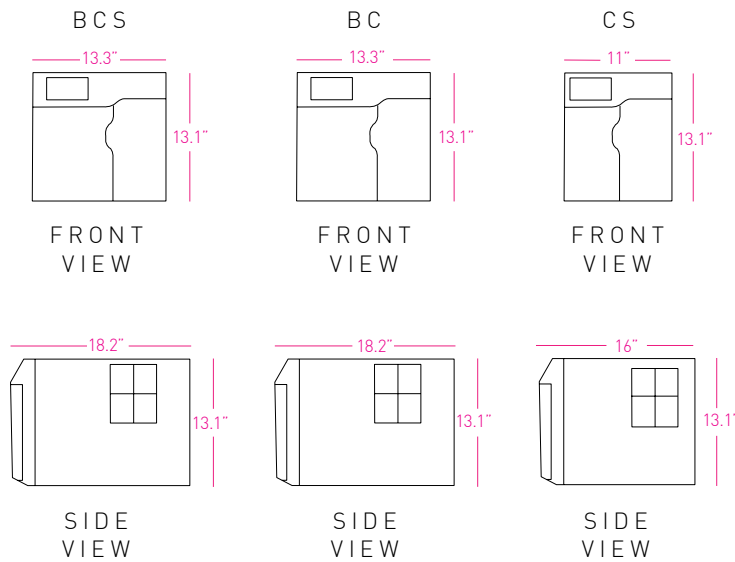
## TECHNICAL INFORMATION

**Now Available in  
120v-240v Installation**

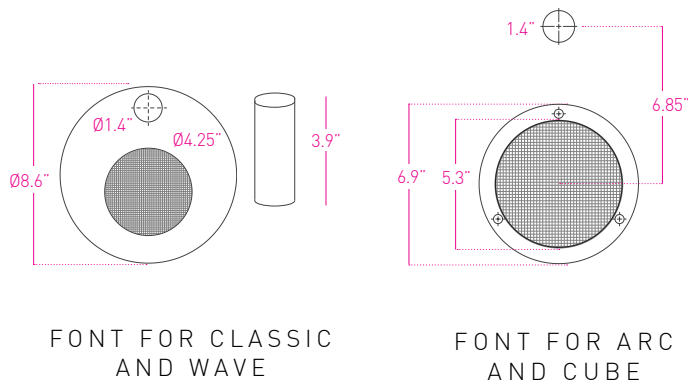
### FAUCETS



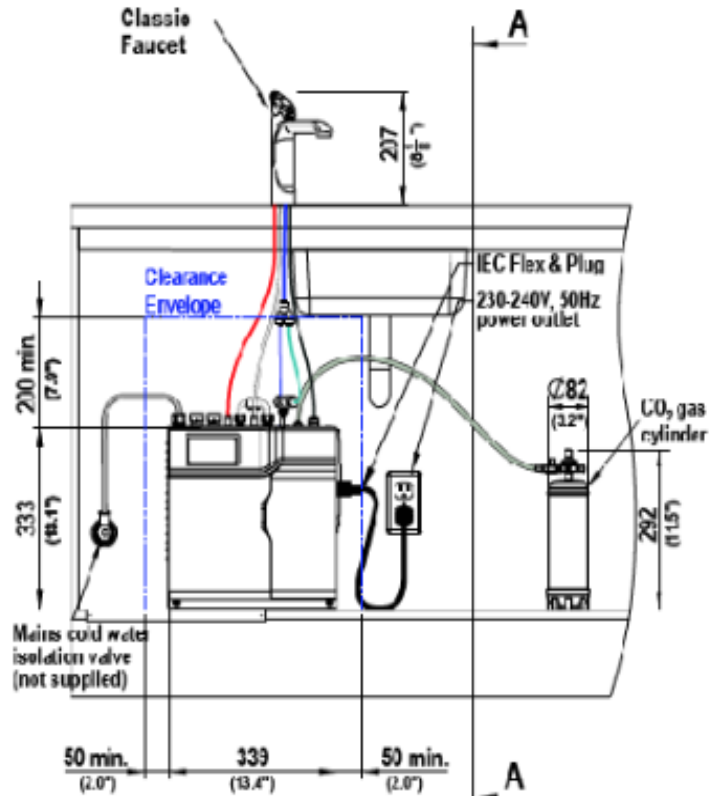
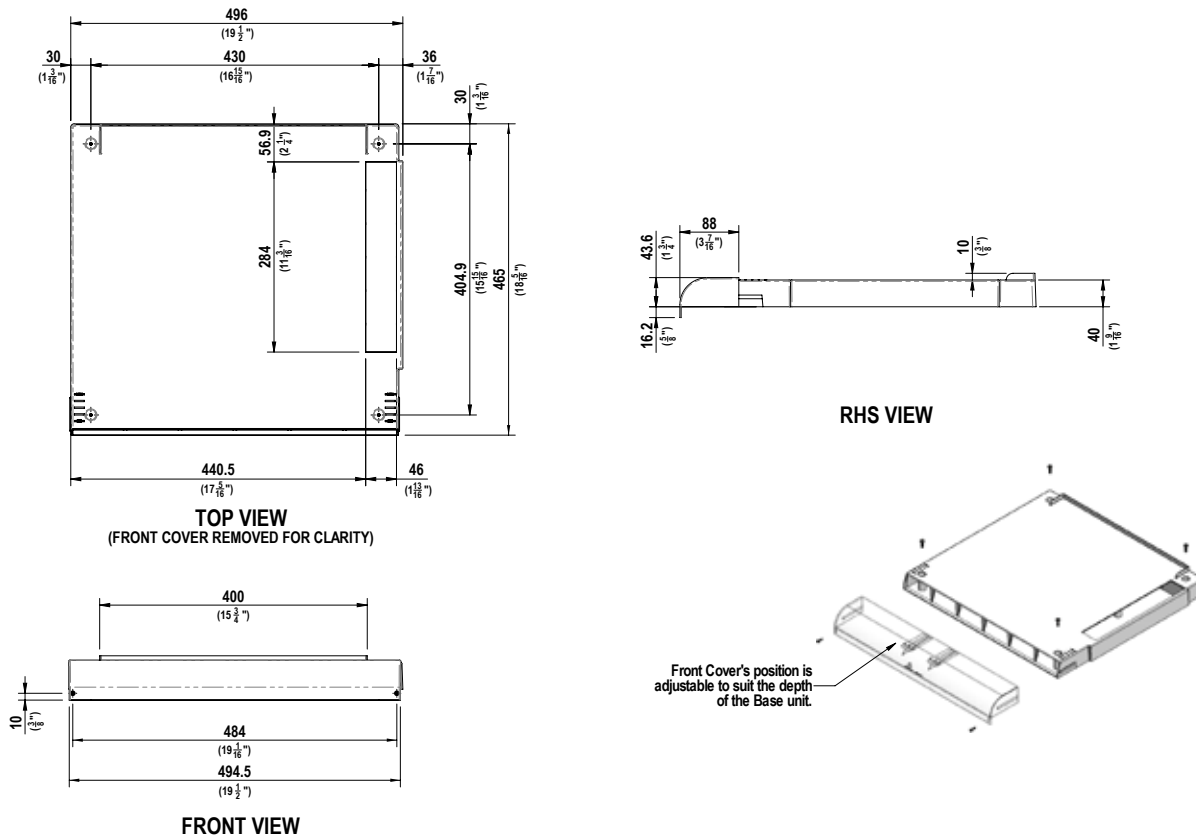
### UNDERBENCH UNITS



### FONTS



## VENT TRAY



**Orders:** All orders and any subsequent change orders must be submitted in writing and delivered to Pinnacle Express, Inc. by mail, fax or e-mail. No telephone orders will be accepted. Special Order items are Non-Cancellable.

**Prices:** All prices are subject to change without notice and are exclusive of any sales or use taxes, shipping, delivery, special packaging, or handling charges that may apply to each customer or to each order.

**Minimum Advertised Pricing:** All sales are subject to Pinnacle Express, Inc. minimum advertised prices. Failure to comply with minimum advertised prices will result in cancellation of any agreement and violators will not be entitled to purchase further products.

**Minimum Sale Price:** All sales are subject to Pinnacle Express, Inc. minimum sale prices. Failure to comply with minimum sale prices will result in cancellation of any agreement and violators will not be entitled to purchase further products.

**Freight and Handling:** Pinnacle Express, Inc. reserves the right to ship products by its choice of carrier. All shipments are F.O.B. from place of shipment, and risk of loss shall pass to the Buyer upon delivery to the carrier at the point of shipment. Additional charges may apply for special handling and packaging.

**Deliveries:** Pinnacle Express, Inc. shall not be liable for failure to deliver or for delays in delivery or performance due to: (1) causes beyond its reasonable control; (2) acts of God, acts of Buyer, acts of civil or military authority, governmental allocations or controls, fires, strikes or other labor difficulties, riots or other civil disturbances, delays in its usual source of supply, delays in transportation; (3) any other commercial impracticability. In the event of such delay, the date of delivery or performance shall be extended for a period equal to the time lost by reason of the delay.

**Claims:** All claims for non-conforming delivery of Products must be made within twelve (12) days of receipt of shipment.

**Damage or Loss:** Any claim for damage or loss in shipment should be made to the carrier immediately by the customer. Products become the responsibility of the Buyer when accepted by the carrier in good condition from Pinnacle Express, Inc. and we are not able to process shipping damage claims.

**Returns:** Only Items marked in this Price List as "Stock Item" are subject to return. All other items are considered Special Order Items and are NOT RETURNABLE. No Products may be returned without a Pinnacle Express, Inc. Return Goods Authorization (RGA) Number issued prior to the return of Product. Any product returned without an RGA will be refused and returned to the sender. RGA's are valid for thirty (30) days only. All returns are subject to inspection before being approved for credit - products must be in saleable condition to be considered for return or replacement. A 30% restocking charge will apply to all returns.

**Payment:** Unless otherwise noted, payment terms are Net Due on Receipt. Balances owed on invoices over 30 days old are subject to a 1.5% per month charge. Each shipment or delivery shall be deemed to have been sold under a separate and or independent contract and payment thereof shall be made in accordance with the terms of this agreement and of the invoice rendered by Pinnacle Express, Inc. Buyer agrees that title to the personal property described herein shall not vest in Buyer until paid in full. In the event of insolvency or the filing of bankruptcy by the Buyer, Buyer agrees to return all merchandise to Pinnacle Express, Inc.

**Warranties:** Products distributed by Pinnacle Express, Inc. are the products of reputable manufacturers sold under their respective brand or trade names. Pinnacle Express, Inc. shall use its best efforts to obtain from each manufacturer, in accordance with the manufacturer's warranty or customary practice, the repair or replacement of products that may prove defective in material or workmanship. The foregoing shall constitute the exclusive remedy of the Buyer and the sole obligation of Pinnacle Express, Inc. with the exception of the Lifetime Warranty Program for Everpure Drinking Water Systems. This special warranty extends the manufacturer's 12-month limited warranty on an annual basis as long as the owner of an Everpure Drinking Water System can provide documentary evidence of purchase and installation of appropriate Everpure replacement cartridges. Except as to Title, THERE ARE NO WARRANTIES, EITHER WRITTEN, ORAL, IMPLIED, OR STATUTORY relating to the described products which shall extend beyond that described in this paragraph. NO WARRANTY OF MERCHANTABILITY OR OF FITNESS FOR PURPOSE SHALL APPLY.

**Limitation of Liability:** Pinnacle Express, Inc.'s liability on any claims for loss or damage arising out of this contract or from the performance or breach thereof or connected with the supplying of products hereunder, or its sale, resale, operation or use, whether based on warranty, contract, negligence or other grounds shall not exceed the price allowable for such products or parts thereof involved in the claim. Pinnacle Express, Inc. shall not, under any circumstances, be liable for any labor charges unless agreed upon in advance and in writing by Pinnacle Express, Inc. and the manufacturer of the products involved. Pinnacle Express, Inc. shall not in any event be liable for special or consequential damages, including, but not limited to, loss of profits or revenue, loss of use of the product or any associated product, cost of capital, cost of substitute products, facilities or services, downtime costs, or claims of customers of the Buyer for such damages.

**General:** The possession of this Price List by anyone is not to be considered as an offer to sell any of the Products contained herein. This Price List supercedes all previous price lists or memorandums. Pinnacle Express, Inc.'s existing Trade Terms and Conditions remain in effect.

The above Terms and Conditions shall be a part of all Orders accepted by Pinnacle Express, Inc. and shall supercede any conflicting provisions of our customer's purchase orders. These terms and conditions are subject to change without notice.





**Pinnacle Express, Inc.**

P.O. Box 1836 • Dundee, FL 33838

Phone: 800-292-8374

Fax: 800-574-8805

[www.pinnacleexpress.com](http://www.pinnacleexpress.com)