

# ZV850SPSS GE Monogram® 36" Stainless Steel Island Hood

## Dimensions and Installation Information (in inches)

This vent hood may be vented to the outdoors or it can be installed for recirculating operation. All necessary parts for recirculating operation are supplied with the hood. No kits required.

A decorative duct cover is provided to cover the duct from the top of the hood to a 7'11" to 8'7" ceiling for vent mode (8'11" for recirculating mode).

### Accessories:

An optional stainless steel duct cover is available for 8'7" to 10'1" ceiling heights for vent mode (10'4" for recirculating mode). Order ZX8510SPSS optional duct cover at the same time as the vent hood and have on site before installation.

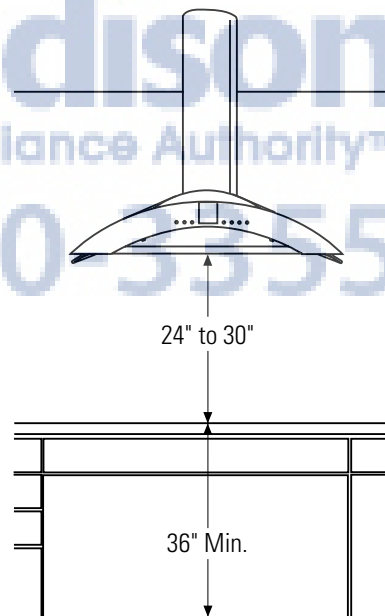
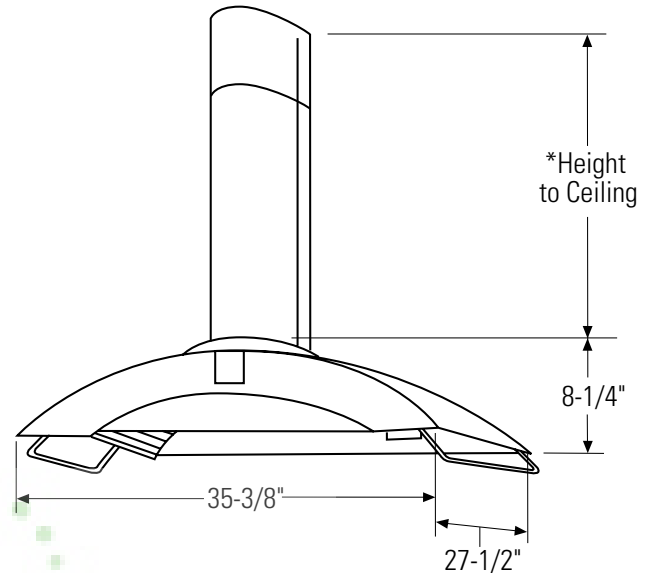
### Dimensions and Clearances:

The vent hood should be installed 24" min. and 30" max. above the cooking surface, dependent on the ceiling height. The cooking surface should be at least 36" above the floor. Installation will be easier if the vent hood is installed before the range or cooktop/countertop is installed.

This hood can be installed over a Monogram electric or gas cooktop. It cannot be installed over a Monogram professional rangetop or range.

**Installation Information:** Before installing, consult installation instructions packed with product or available on [monogram.com](http://monogram.com) for current dimensional data.

**Note:** Installation height should be measured from the cooking surface to the lower edge of the hood.



The exact installation height is determined by the ceiling height and duct cover trim strips provided with the hood. For optimum performance, the hood must be installed 24" min. and 30" max. above the cooking surface.

For answers to your Monogram® GE Profile™ or GE® appliance questions, visit our website at [geappliances.com](http://geappliances.com) or call GE Answer Center® service, 800.626.2000.



imagination at work

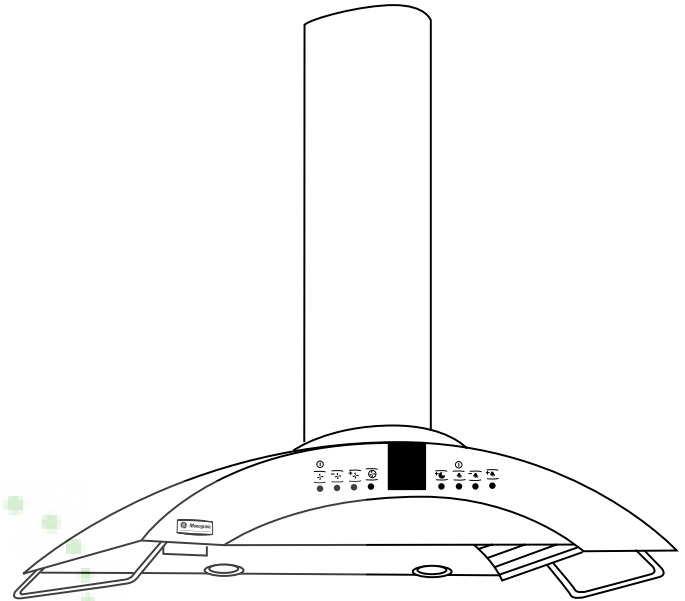


# ZV850SPSS

## GE Monogram® 36" Stainless Steel Island Hood

### Features and Benefits

- Stainless steel design with graceful curves and lines creates a distinct appearance that enhances any kitchen
- 360-CFM, four-speed fan provides the power necessary to capture smoke and fumes produced by high-performance cooking equipment
- Four halogen lights offer six levels of intensity, from ambient to low/night illumination, to meet different needs
- Three removable filters trap airborne grease particles and are dishwasher-safe. An indicator light signals when the filters need cleaning
- A timer can be set for the fan to automatically shut-off after 5, 10 or 20 minutes of operation
- An optional recirculating kit (included) can be installed for internal ventilation
- Model ZV850SPSS – Stainless steel



**AJ Madison**  
Your Appliance Authority™  
800-570-3355



imagination at work