

# GE Monogram® 30" Stainless Steel Professional Hood



Model# ZV30SSFSS



- 640 CFM Vertical Exhaust
- Variable Speed Fan Control
- 2 Halogen Lamps with 4 Lighting Levels
- Infrared Warming Lamp
- Utensil Racks
- Removable Grease Trays
- Dishwasher-Safe Removable Baffle Stainless Steel Filters

## FEATURES

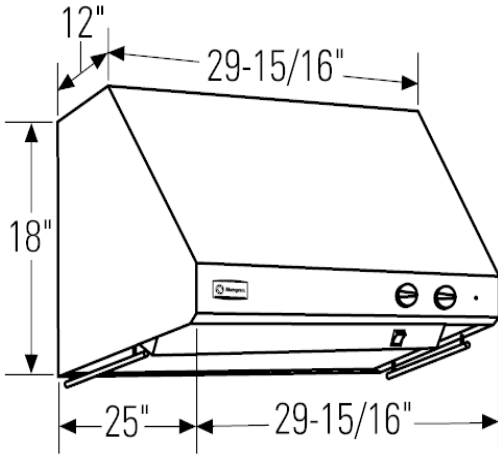
Required Duct Size (In.)	10" Round
Variable Speed Fan	Yes
Utensil Rod	Brushed Stainless Steel
Vertical Exhaust Blower Rating (CFM)	640
Baffle Stainless Steel Filters	2
Grease Tray	2
Removable Filter	Yes
"On" Indicator Light	Yes
Halogen Lamps	2
Infrared Warming Lamps	1
Lighting Levels	4
Exhaust Options - 10" Round	Yes
Damper in Transition	Yes
Double Wall Construction	Yes
Welded / Finished Seams	Yes

To locate a GE Monogram dealer, call 1-800-626-2000

# GE Monogram® 30" Stainless Steel Professional Hood



Model# ZV30SSFSS



## APPROXIMATE DIMENSIONS (HxDxW)

- 18 in x 25 in x 30 in

## CUSTOM OPTION and ACCESSORIES

GE Monogram® 12" Full Width Duct Cover	ZX30FWDC12
GE Monogram® 6" Full Width Duct Cover	ZX30FWDC6

To purchase related parts and accessories, call 1-866-775-4557

## WARRANTY

- Parts Warranty - Limited 1-year entire appliance
- Labor Warranty - Limited 1-year entire appliance
- Warranty Notes - For models produced on or after January 1, 2006  
See written warranty for full details

To locate a GE Monogram dealer, call 1-800-626-2000