

MONOGRAM 30" BUILT-IN FRENCH-DOOR DOUBLE OVEN ZTDX1FPSNSS



THE MONOGRAM STATEMENT COLLECTION

Edge-to-edge handles, polished stainless steel, and hand-finished edges convey a sense of solidity and beauty

FRENCH-DOOR DESIGN

Inspired by commercial kitchen designs, the precision engineered chain-drive mechanism allows for one-hand opening of both doors at the same time

LCD CONTROLS

Allow you to adjust oven settings with little effort

WIFI CONNECT

Perfectly in sync with a busy lifestyle, Alexa or Google Home can be used to control an array of oven functions from both inside and outside the home

VOICE CONTROL

Once programmed, you can use your voice to preheat the oven and more, all without raising a finger

PRECISION COOKING MODES

Master new recipes and perfectly execute favorite dishes using this ultra-smart system that automatically tracks cooking progress, modifies temperatures and adjusts cook times

HOT AIR FRY

A must-have for health-conscious cooks, the Hot Air Fry mode crisps food to crunchy perfection, without using oils or butter

SCAN TO COOK

Innovative and time saving, scan-to-cook technology ensures that packaged foods are always prepared correctly. A simple scan of the barcode with a smartphone delivers consistently, delicious result

TWIN CONVECTION WITH DIRECT AIR

Achieve beautifully cooked and delicious meals every time with this expertly designed, third heating element and fan combination

SOFT-CLOSE DOORS

An expertly engineered hinge ensures that the oven door closes quietly and smoothly, every time

10.0 CUBIC FOOT OVEN CAPACITY (5.0 EACH OVEN)

Easily accommodates even the largest meals

EXCLUSIVE SELF-CLEAN, (4 FULL-EXTENSION, 2 REGULAR) OVEN RACKS

Glide in and out smoothly on stainless steel ball bearings, and are designed to be left in the oven during the self-clean cycle

TEN-PASS BAKE ELEMENT

Covers more surface area for more even baking results

TEN-PASS DUAL BROIL ELEMENT

Evenly browns dishes of all types and sizes

SELF-CLEAN WITH STEAM CLEAN OPTION

Gives you flexible options for thorough oven cleaning



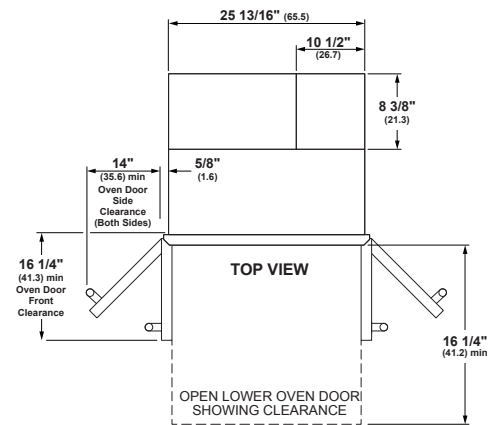
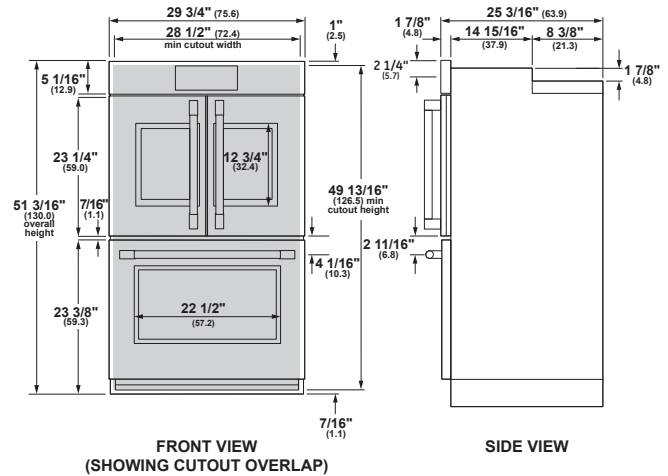
SPECIFICATIONS

| | |
|--------------------------------------|--|
| Overall Width | 29 3/4" (75.6 cm) |
| Overall Height | 51 3/16" (130.0 cm) |
| Overall Depth Including Handle | 27 13/16" (70.6 cm) Upper oven 27 1/2" (69.9 cm) Lower oven |
| Oven Door Clearance | 16 1/4" (41.3 cm) Upper oven 20 9/16" (52.3 cm) Upper oven |
| Overall Oven Interior Capacity | 10.0 cu. ft. (283.2 liters) |
| Oven Interior Dimensions (W x H x D) | 25" x 17 3/8" x 20 1/4" (63.5 cm x 44.1 cm x 51.4 cm) |
| Minimum Cabinet Width | 30" (76.2 cm) |
| Minimum Cabinet Depth | 24" (61.0 cm) |
| Minimum Base Support | 400 lbs (181 kg) |
| Cutout Width | 28 1/2" (72.4 cm) Min 28 5/8" (72.7 cm) Max |
| Cutout Height | 49 13/16" (126.5 cm) Min 51 15/16" (131.9 cm) Max |
| Cutout Depth | 23 1/2" (59.7 cm) Min |
| Volts/Hertz/Amps | 240/208 V AC, 60 Hz, 40A |
| Conduit Length | 48" (72" available special order: WB18T10398) |
| Electrical Rating | 6.8 kW at 208V 9.0 kW at 240V |
| Shipping Weight | 390 lbs (178 kg) |

ATTENTION ELECTRICIAN:

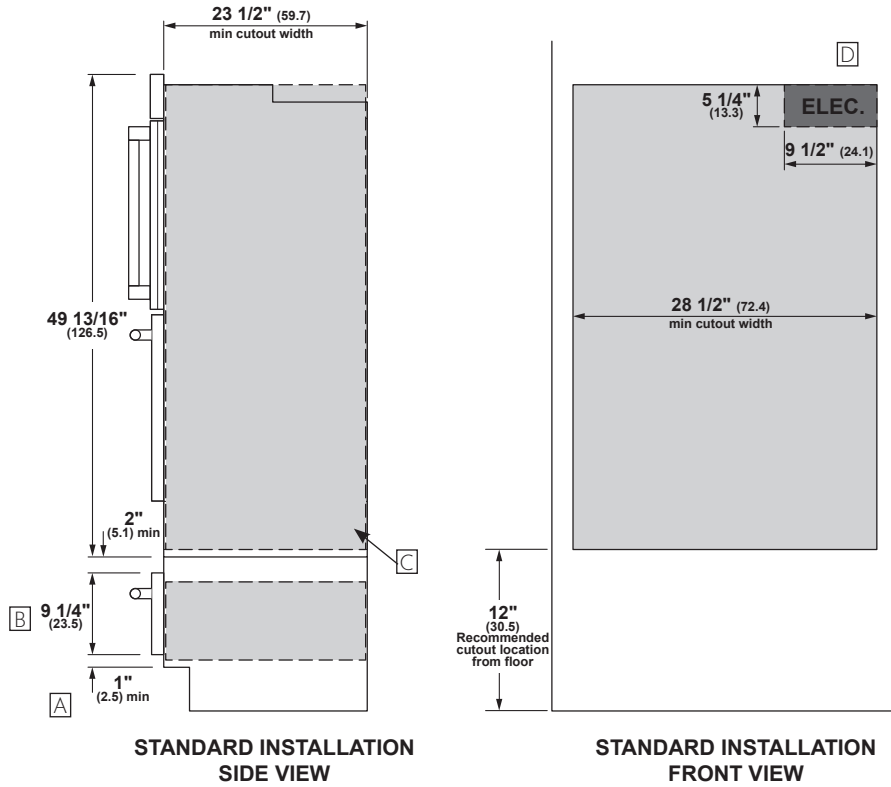
A 240/208V, 60Hz, 40 Amp circuit is required. An individual properly grounded branch circuit or circuit breaker is required. Hardware junction box is required for built-in product.

OVERALL DIMENSIONS



Dimensions in parentheses are in centimeters unless otherwise noted. Actual product dimensions may vary due to manufacturing tolerances.

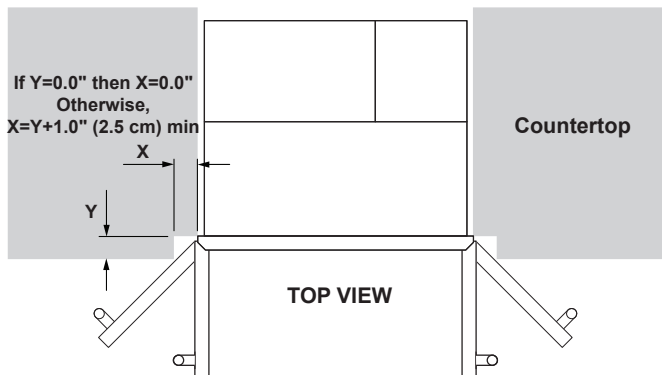
WALL INSTALLATION



HELPFUL TIPS

- A** Based on user height of 5'6" to 5'10"
- B** Dimensions per Warming Drawer requirements.
- C** Platform must be able to support 400 lbs. (181 kg)
- D** Junction box location (May also be located in adjacent cabinet.)

INSTALLATION TO ADJACENT COUNTERTOP



For more details, refer to the installation instructions for this product on Monogram.com. Dimensions in parentheses are in centimeters unless otherwise noted.