

GE Monogram® Built-In Oven with Advantium® Speedcook Technology- 120V



Model# ZSC1001KSS



- Speedcook Technology - Halogen-light system speedcooks your favorite foods to delicious perfection - in minutes, with no preheating
- Sophisticated Styling - Clean lines offer a stylish, modern look that coordinates beautifully with other Monogram built-in products
- Powerful Performance - Oven-quality foods cook up to four times faster than a conventional oven, with no preheating required
- Remarkable Versatility - Multiple cooking options create four ovens in one - Speedcook, true European convection, sensor microwave and warming ovens - to bake, broil, brown, roast, warm and proof foods
- Spacious Interior - Rounded oven cavity and 16" turntable allow full and continual rotation of a 9" x 13" casserole dish; removable oven rack offers the convenience of multi-level cooking
- Installation Flexibility - Ovens can be installed in a 27" or 30" wall cabinet (with trim kit)

FEATURES

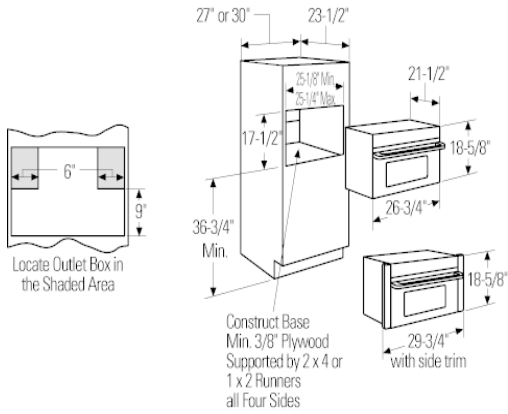
Control Type	Glass Touch Controls; Dial
Cooking Modes	Speedcook; Bake; Broil; Microwave; Warm/Proof
Cooking Technology	Advantium
Style	Built-In
Custom Recipe Saver	Yes
Rack Type	Wire Oven Rack
Program Cooking	Over 100 Programmed Menu Items
Turntable	Yes- 16" diameter
Advantium® Oven Controls - Clock	Yes
Advantium® Oven Controls - Demo Mode	Yes
Advantium® Oven Controls - Electronic Scrolling Digital Display	Yes
Advantium® Oven Controls - Help Pad	Yes
Advantium® Oven Controls - Repeat Last	Yes
Advantium® Oven Controls - Time Preference	Yes
Advantium® Oven Controls - Variable Scroll Speed	Yes
Microwave Oven Features - Sensor Cooking Controls	Yes
Ceramic Pan	Yes
Cooking Complete Reminder	Yes
Grill Pan	Yes
Reminder (24 hr)	Yes
Sound Volume Control	Yes
Interior Oven Light	Yes
Add Time	Dial
Defrost Type	Auto & Time
Delay Start	Yes
Display On/Off	Yes
Time Cook	I & II

To locate a GE Monogram dealer, call 1-800-626-2000

GE Monogram® Built-In Oven with Advantium® Speedcook Technology- 120V



Model# ZSC1001KSS



APPROXIMATE DIMENSIONS (HxDxW)

- 18 5/8 in x 21 1/2 in x 26 3/4 in

CAPACITY

- Total Capacity (cubic feet) 1.60 cu ft

WARRANTY

- Parts Warranty - Limited 1-year entire appliance
Limited 5-year magnetron tube
- Labor Warranty - Limited 1-year entire appliance
- Warranty Notes - For models produced on or after
January 1, 2006
See written warranty for full details