

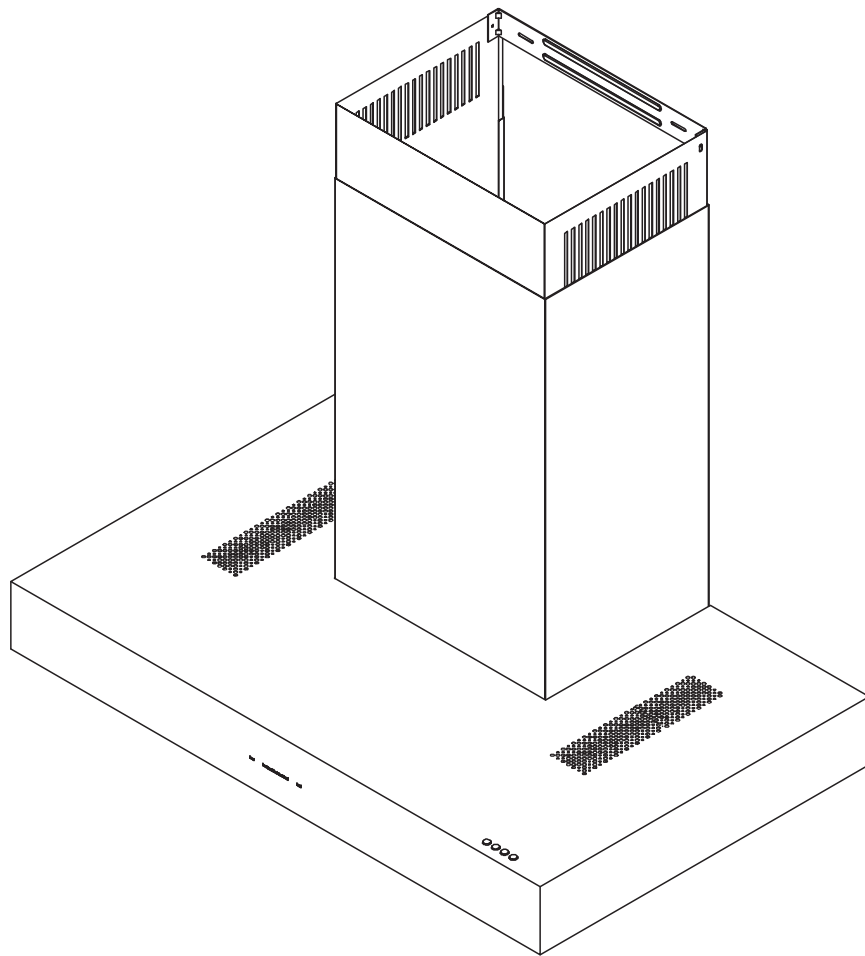
Roma Groove

ZRG-E30BS

ZRG-M90BS

EN Use, Care, and Installation Guide

FR Guide d'utilisation, d'entretien et d'installation



	Page
Safety Information	4-7
Types of Safety Warnings.....	4
General Safety	4
Operation	6
Electrical Requirements	6
FCC Notice.....	7
FCC Statement	7
List of Materials	8
Installation Instructions	9-17
Ducting Calculation Sheet.....	9
Mounting Height, Clearance, & Ducting	10-11
Ducting Options	12
Hood Specifications.....	13
Electrical Supply.....	14
Cable Lock	14
Mounting the Hood.....	15
Ductless Recirculation	16
Recirculating Kit Installation	16-17
Features & Controls	18-24
ICON Touch Controls.....	18-19
Bluetooth® Controls.....	20-21
Bluetooth® Connection.....	21-22
Optional RF Remote Control.....	23-24
Maintenance	25-26
Hood & Filter Cleaning.....	25
LumiLight LED	26
ACT™ Conversion	27-28
Airflow Control Technology (ACT™)	27
Enabling ACT™	28
Wiring Diagram	29
Troubleshooting	30-31
List of Parts & Accessories	32
Limited Warranty	33
Product Registration	34

Safety Information

READ AND SAVE THESE INSTRUCTIONS

Your safety and the safety of others are very important. We have provided many important safety messages in this manual for your appliance. Always read and obey all safety messages.



This is the Safety Alert Symbol. This symbol alerts you to potential hazards that can cause severe bodily injury or death. All safety messages will follow the Safety Alert Symbol and either the words **“DANGER”**, **“WARNING”** or **“CAUTION”**



General Safety



WARNING - TO REDUCE THE RISK OF FIRE, ELECTRIC SHOCK, OR INJURY TO PERSONS, OBSERVE THE FOLLOWING:

- Use this unit only in the manner intended by the manufacturer. If you have questions, contact the manufacturer.
- Before servicing or cleaning unit, switch power off at service panel and lock the service disconnecting means to prevent power from being switched on accidentally. When the service disconnecting means cannot be locked, securely fasten a prominent warning device, such as a tag, to the service panel.



WARNING - TO REDUCE THE RISK OF A RANGE TOP GREASE FIRE:

- Never leave surface units unattended at high settings. Boilovers cause smoking and greasy spillovers that may ignite. Heat oils slowly on low or medium settings.
- Always turn hood ON when cooking at high heat or when flambeing food. (i.e. Crepes Suzette, Cherries Jubilee, Peppercorn Beef Flambe’).
- Clean ventilating fans frequently. Grease should not be allowed to accumulate on fan or filter.
- Use proper pan size. Always use cookware appropriate for the size of the surface element.

READ AND SAVE THESE INSTRUCTIONS



WARNING - TO REDUCE THE RISK OF INJURY TO PERSONS IN THE EVENT OF A RANGE TOP GREASE FIRE, OBSERVE THE FOLLOWING^o:

- a) SMOTHER FLAMES with a close-fitting lid, cookie sheet, or metal tray, then turn off the burner. BE CAREFUL TO PREVENT BURNS. If the flames do not go out immediately, EVACUATE AND CALL THE FIRE DEPARTMENT.
- b) NEVER PICK UP A FLAMING PAN – You may be burned.
- c) DO NOT USE WATER, including wet dishcloths or towels – a violent steam explosion will result.
- d) Use an extinguisher ONLY if:
 - 1) You know you have a Class ABC extinguisher, and you already know how to operate it.
 - 2) The fire is small and contained in the area where it started.
 - 3) The fire department is being called.
 - 4) You can fight the fire with your back to an exit

^oBased on “Kitchen Firesafety Tips” published by NFPA.



WARNING - TO REDUCE THE RISK OF FIRE, ELECTRIC SHOCK, OR INJURY TO PERSONS, OBSERVE THE FOLLOWING:

- a) Installation work and electrical wiring must be done by qualified person(s) in accordance with all applicable codes and standards, including fire-rated construction.
- b) Sufficient air is needed for proper combustion and exhausting of gases through the flue (chimney) of fuel burning equipment to prevent back drafting. Follow the heating equipment manufacturer’s guideline and safety standards such as those published by the National Fire Protection Association (NFPA), and the American Society for Heating, Refrigeration and Air Conditioning Engineers (ASHRAE), and the local code authorities.
- c) When cutting or drilling into wall or ceiling, do not damage electrical wiring and other hidden utilities.
- d) Ducted fans must always be vented to the outdoors.
- e) If this unit is to be installed over a tub or shower, it must be marked as appropriate for the application and be connected to a GFCI (Ground Fault Circuit Interrupter) - protected branch circuit.



Safety Information

READ AND SAVE THESE INSTRUCTIONS

Operation

- ▶ Always leave safety grilles and filters in place. Without these components, operating blowers could catch onto hair, fingers and loose clothing.
- ▶ The manufacturer declines all responsibility in the event of failure to observe the instructions given here for installation, maintenance and suitable use of the product. The manufacturer further declines all responsibility for injury due to negligence and the warranty of the unit automatically expires due to improper maintenance.

NOTE: Please check www.zephyronline.com for revisions before doing any custom work.

Electrical Requirements

Important:

- ▶ Observe all governing codes and ordinances.
- ▶ It is the customer's responsibility to be aware of these below:
- ▶ To contact a qualified electrical installer.
- ▶ To assure that the electrical installation is adequate and in conformance with National Electrical Code, ANSI/NFPA 70 latest edition* or CSA standards C22.1-94, Canadian Electrical Code, Part 1 and C22.2 No.0-M91 - latest edition** and all local codes and ordinances.
- ▶ If codes permit and a separate ground wire is used, it is recommended that a qualified electrician determine that the ground path is adequate.
- ▶ Do not ground to a gas pipe.
- ▶ Check with a qualified electrician if you are not sure the range hood is properly grounded.
- ▶ Do not have a fuse in the neutral or ground circuit.
- ▶ This appliance requires a 120V 60Hz electrical supply and connected to an individual properly grounded branch circuit protected by a 15 or 20 ampere circuit breaker or time delay fuse. Wiring must be 2 wire with ground. Please also refer to Electrical Diagram on product.
- ▶ A cable locking connector (not supplied) might also be required by local codes. Check with local requirements, purchase and install appropriate connector if necessary.

* National Fire Protection Association Batterymarch Park, Quincy, Massachusetts 02269

** CSA International 8501 East Pleasant Valley Road, Cleveland, Ohio 44131-5575

- ▶ Intended for outdoor covered patio or lanai area.
- ▶ Suitable for use in damp locations when installed in a GFCI protected branch circuit.

READ AND SAVE THESE INSTRUCTIONS

The Bluetooth® word mark and logos are registered trademarks owned by Bluetooth SIG, Inc.

FCC Notice



This device complies with Part 15 of FCC Rules. Operation is subject to the following two conditions:

- ▶ This device may not cause harmful interference, and
- ▶ This device must accept any interference received including interference that cause undesired operation.

FCC Statement

- ▶ This equipment has been tested and found to comply within the limits for a Class B digital device, pursuant to part 15 of the FCC Rules. These limits are designed to provide reasonable protection against harmful interference in a residential installation.
- ▶ This equipment generates, uses, and can radiate radio frequency energy, and if not installed and used in accordance with the instructions, may cause harmful interference to radio communications. However, there is no guarantee that interference will not occur in a particular installation. If this equipment does cause harmful interference to radio or television reception, which can be determined by turning the equipment off and on, the user is encouraged to try to correct the interference by one or more of the following measures:
 - ▶ Reorientating or relocating the receiving antenna
 - ▶ Increasing the separation between the equipment and receiver
 - ▶ Connecting the equipment to an outlet that is on a different circuit than the radio or TV
 - ▶ Consulting the dealer or an experienced radio/TV technician for help.

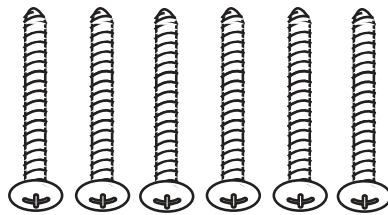
Contains FCC ID: A8TBM23SPKXYC2A

List of Materials

Parts Supplied

Quantity	Part
1	Hood
1	Duct cover wall bracket
1	Duct cover assembly (top and bottom)
2	Baffle filters
2	LumiLight LED (pre-installed)
1	Bluetooth® stereo speakers (pre-installed)
1	6" round backdraft damper (pre-installed)
1	Hardware package

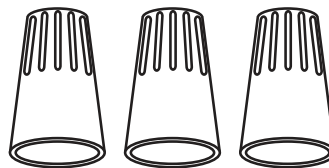
(6) M6 x 1"



(4) M4 x 8



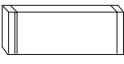
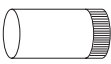
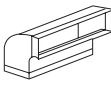
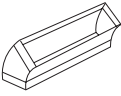
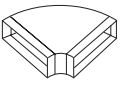
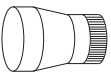
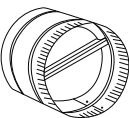

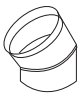
(3) Wire Nuts



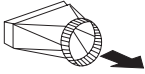
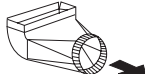
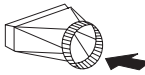
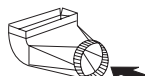
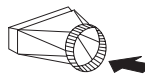
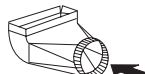
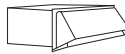
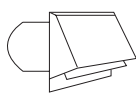

Parts Not Supplied

Ducting, conduit and all installation tools
Cable locking connector (if required by local codes)
Duct cover extension (Z1C-00RO)

Ducting Calculation Sheet

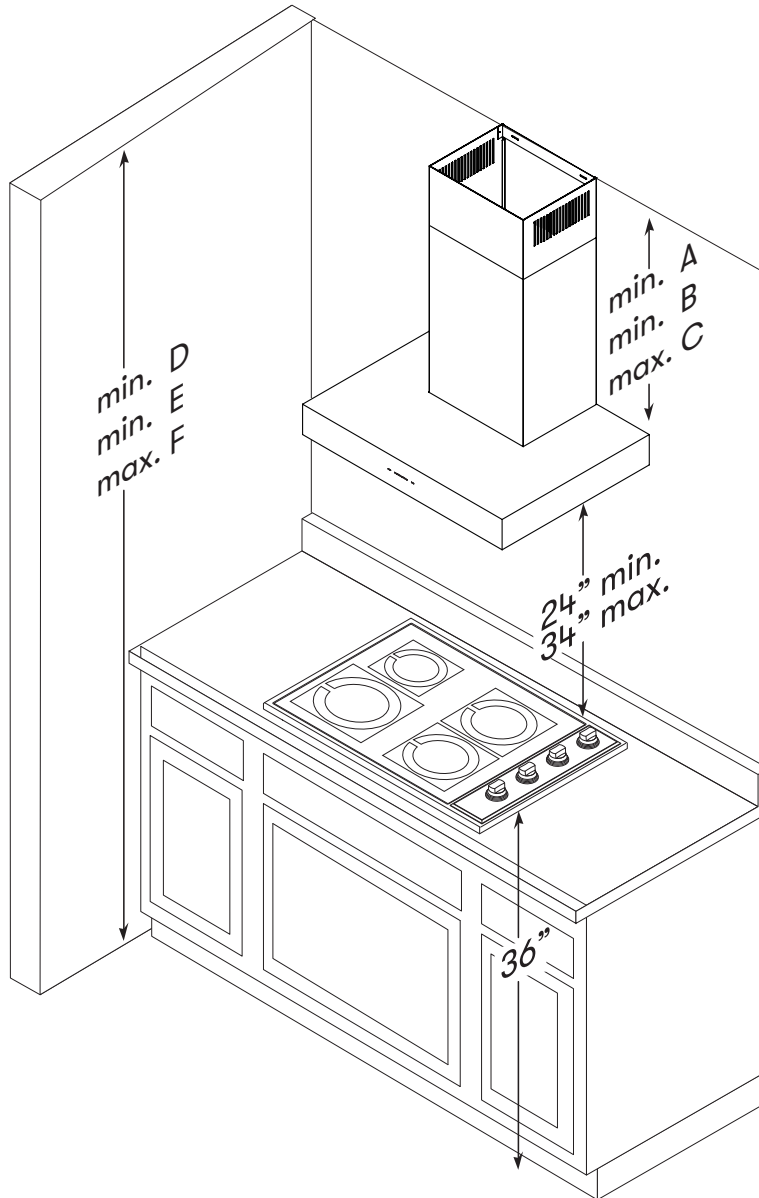
Duct pieces		Equivalent number length x used =	Total
	3-1/4" x 10" Rect., straight	1 Ft. x () =	Ft.
	6", 7", 8", 10" Round, straight	1 Ft. x () =	Ft.
	3-1/4" x 10" Rect. 90° elbow	15 Ft. x () =	Ft.
	3-1/4" x 10" Rect. 45° elbow	9 Ft. x () =	Ft.
	3-1/4" x 10" Rect. 90° flatelbow	24 Ft. x () =	Ft.
	7" to 6" or 8" to 7" Round tapered reducer	25 Ft. x () =	Ft.
	6", 7", 8" Round in-line damper	15 Ft. x () =	Ft.
	6", 7", 8", 10" Round, 90° elbow	15 Ft. x () =	Ft.
	6", 7", 8", 10" Round, 45° elbow	9 Ft. x () =	Ft.
Subtotal column 1 =			Ft.

Maximum Duct Length: For satisfactory air movement, the total duct length should not exceed 150 equivalent feet.

Duct pieces		Equivalent number length x used =	Total
	3-1/4" x 10" Rect. to 6" round transition	5 Ft. x () =	Ft.
	3-1/4" x 10" Rect. to 6" round transition 90° elbow	20 Ft. x () =	Ft.
	6" round to 3-1/4" x 10" rect. transition	1 Ft. x () =	Ft.
	6" round to 3-1/4" x 10" rect. transition 90° elbow	16 Ft. x () =	Ft.
	7" round to 3 1/4" x 10" rect. transition	8 Ft. x () =	Ft.
	7" round to 3-1/4" x 10" rect. transition 90° elbow	23 Ft. x () =	Ft.
	3-1/4" x 10" Rect. wall cap with damper	30 Ft. x () =	Ft.
	6", 7", 8", 10" Round, wall cap with damper	30 Ft. x () =	Ft.
	6", 7", 8", 10" Round roof cap	30 Ft. x () =	Ft.
Subtotal column 2 =			Ft.
Subtotal column 1 =			Ft.
Total ductwork =			Ft.

Installation Instructions

Mounting Height, Clearance, & Ducting



	Standard Duct Cover	Extension Duct Cover
Hood Heights		
minimum ducted (A)	27"	42"
minimum recirculating (B)	31-1/2"	46"
maximum (C)	48-1/2"	78"
Ceiling Heights		
minimum ducted (D)	87" (7' 3")	102" (8' 6")
minimum recirculating (E)	91-1/2" (7' 7-1/2")	106" (8' 10")
maximum (F)	108-1/2" (9' 1/2")	148" (12' 4")

Mounting Height, Clearance, & Ducting

A minimum of 6" round duct must be used to maintain maximum air flow efficiency.

Always use rigid type metal ducts only. Flexible ducts could restrict air flow by up to 50%.

Use calculation worksheet to compute total duct work (Page 10).

ALWAYS, when possible, reduce the number of transitions and turns. If a long duct run is required, increase duct size from 6" to 7".

If turns or transitions are required: Install as far away from duct opening and as far apart between the two transitions as possible.

Minimum mount height between range top to hood bottom should be no less than 24".

Maximum mount height should be no higher than 36".

It is important to install the hood at the proper mounting height. Hoods mounted too low could result in heat damage and fire hazard; while hoods mounted too high will be hard to reach and will lose performance and efficiency.

If available, also refer to range manufacturer's height clearance requirements and recommended hood mounting height above range. Always check your local codes for any differences.

Duct cover extension kit available for ceiling heights up to 12 feet. Turn to the Parts & Accessories section for part number and ordering information.

For shipment and installation damages:


- ▶ Please fully inspect unit for damage before installation.
- ▶ If the unit is damaged in shipment, return the unit to the store in which it was bought for repair or replacement.
- ▶ If the unit is damaged by the customer, repair or replacement is the responsibility of the customer.
- ▶ If the unit is damaged by the installer (if other than the customer), repair or replacement must be made by arrangement between customer and installer.

Installation Instructions

Ducting Options

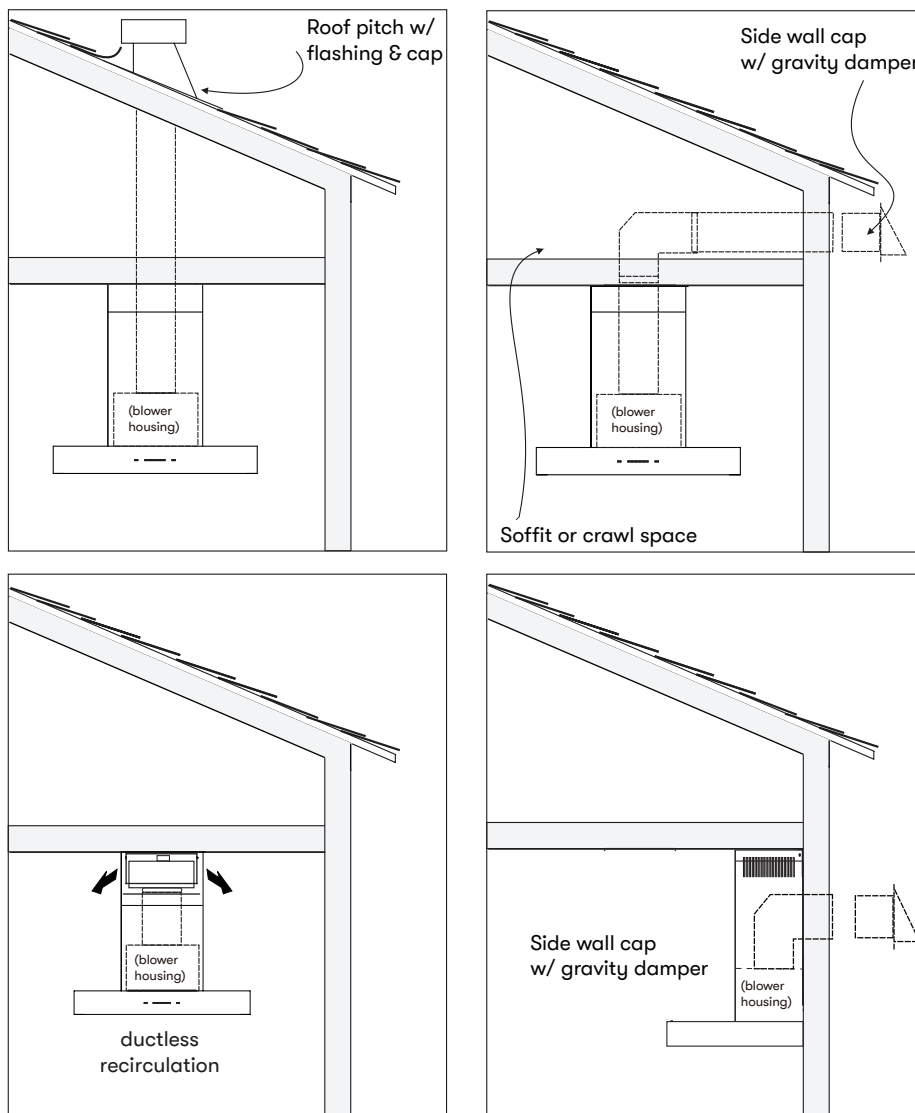


WARNING

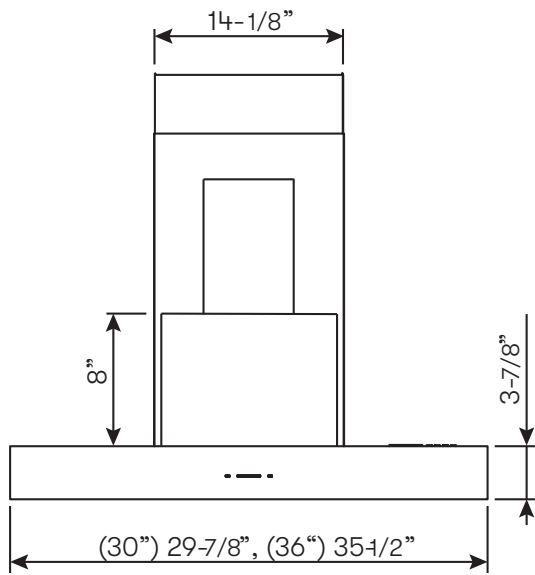


Fire Hazard: NEVER exhaust air or terminate ductwork into spaces between walls, crawl spaces, ceilings, attics, or garages. All exhaust must be ducted to the outside, unless using the recirculating option.

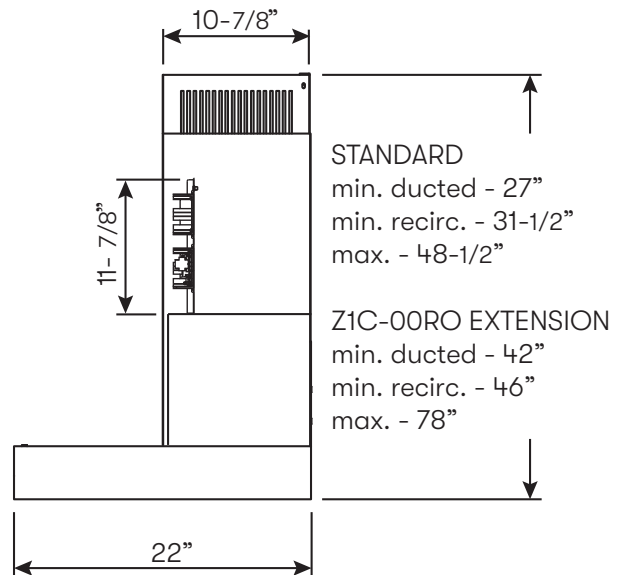
- ▶ Use single wall rigid metal ductwork only.
- ▶ Fasten all connections with sheet metal screws and tape all joints w/ certified Silver Tape or Duct Tape.



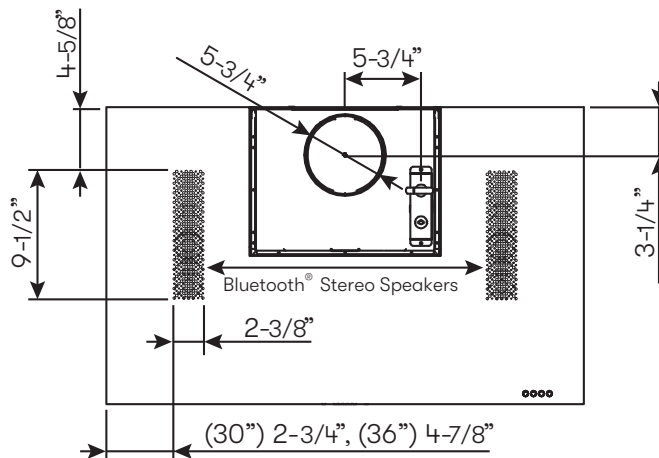
Hood Specifications



FRONT VIEW



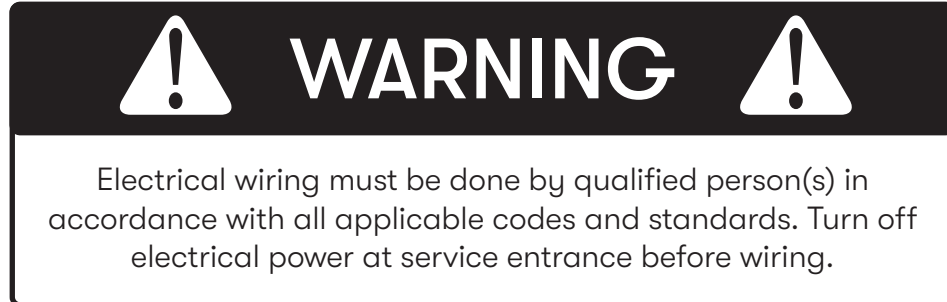
SIDE VIEW



TOP VIEW

Installation Instructions

Electrical Supply



For personal safety, remove house fuse or open circuit breaker before beginning installation. Do not use extension cord or adapter plug with this appliance.

Follow national electrical codes or prevailing local codes and ordinances.

This appliance requires a 120V 60Hz electrical supply, and connected to an individual, properly grounded branch circuit, protected by a 15 or 20 ampere circuit breaker or time delay fuse. Wiring must be 2 wire w/ ground. Please also refer to the Electrical Diagram labeled on product.

Cable Lock

A cable locking connector (not supplied) might be required by local codes. Check with local requirements and codes, purchase and install appropriate connector if necessary. (FIG. A)

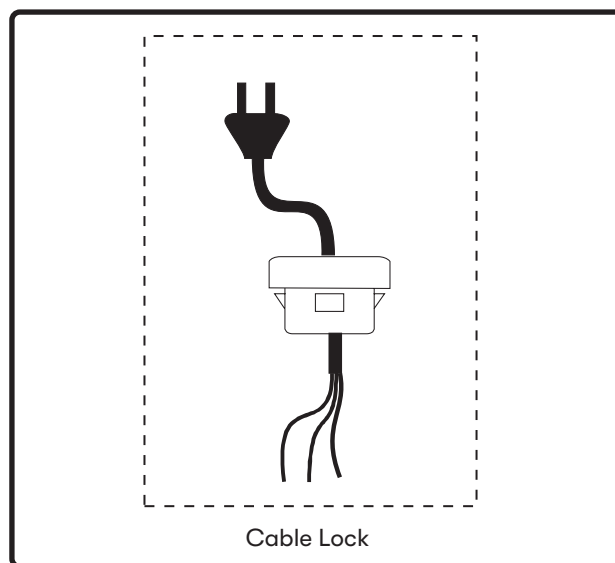


FIG. A

Mounting the Hood



1. Adjust the mounting brackets by loosening (2) pre-installed screws per bracket.
2. Mount the component box bracket onto the hood with (2) M4 x 8 screws with the component box facing outwards.
3. Measure the range top to the hood bottom and mark line A (24" minimum from the range top).
4. Mark the center line vertically.
5. Measure 11-3/8" above line A and mark the hood height, line B. Measure 5-1/8" on line B from the C/L and mark the mounting spread.
6. Mark the mounting spread vertically until a cross has been formed to determine the exact placement of the M6 x 1" screws.
7. Fasten (2) M6 x 1" screws into the studs on line B, but do not fully tighten them.

NOTE: Wood blocking may need to be added behind the drywall if no studs are present. Wall anchors may also be used but check local codes for compliance. Failure to use suitable wall anchors and screws to hold the weight of the hood could result in personal injury or damage to the cooking surface or counter.

8. Hang the hood onto the mounting screws and hand tighten each screw. (FIG. B).
9. Center and attach the duct cover mounting bracket to the wall just below the ceiling or soffit using (2) M6 x 1" screws.
10. Install the electrical and ductwork. Seal the ductwork with aluminum duct tape. Power up the hood and check for leaks around the duct tape.
11. Place the telescopic duct covers onto the hood and extend the inner (top) duct cover upwards. Secure it to the duct cover bracket using (2) M4 x 8 screws.

NOTE: If using the hood in recirculating mode, you must secure the air diverter plate onto wall before installing ductwork and duct covers. You will also need to install charcoal filters and brackets.

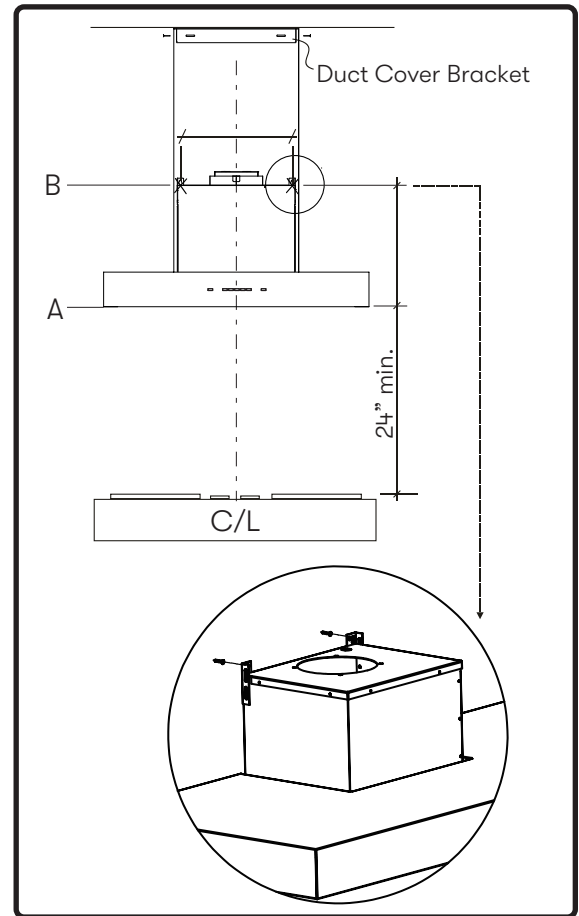


FIG. B

Installation Instructions

Ductless Recirculation

Ductless recirculation is intended for applications where an exhaust duct work is not possible to be installed. When converted, the hood functions as a recirculating hood rather than an exhaust hood. Fumes and exhaust from cooking are drawn and filtered by a set of optional charcoal filters. The air is then purified and re-circulated back within the home.

We recommend to ALWAYS exhaust air outside of the home by employing existing or installing new duct work, if possible. The hood is most effective and efficient as an exhaust hood. Only when the exhaust option is not possible should you recourse to converting the hood into a recirculating hood.

When converted to be a recirculating hood, a set of charcoal filters are required on top of its standard Metal Filter set. Order according to its part number below. The standard mesh filters are intended to capture residue from cooking, and the optional charcoal filters help to purify fumes exhausted from cooking for recirculation.

Recirculating Kit Installation (required if no ducting is used)

For detailed installation instructions, please refer to the manual included with the recirculating kit. The kit includes the charcoal filters and the air diverter plate.

Hood Model	Recirculating Kit Part Number	Filters in Package	Charcoal Filter Replacement Part Number	Quantity to Order
ZRG	ZRC-00RG	2	ZOF-C005	2

1. Purchase the recirculating kit per the part number above.
2. Secure the air diverter plate to the wall below the duct cover bracket with (2) screws. Run the 6" ducting from the top of the hood and secure it to the air diverter plate (FIG. C).

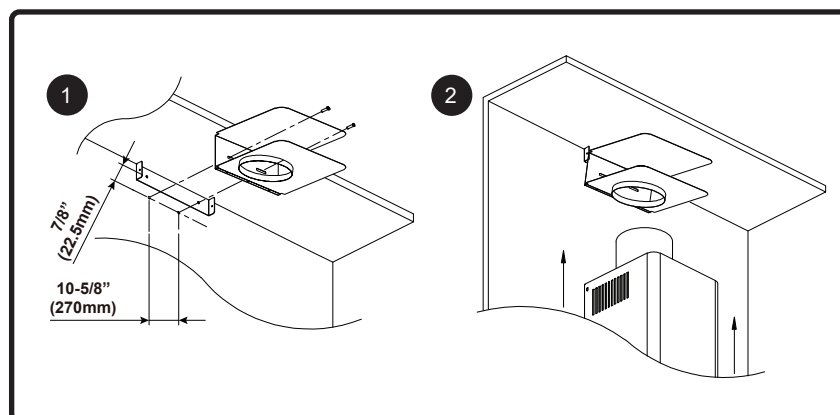


FIG. C

Recirculating Kit Installation (required if no ducting is used)

3. Remove the baffle filters from the hood. Place the charcoal filters to the back side of the baffle filters. Secure the charcoal filters in place with rubber clips or magnets, depending on the filter design.

NOTE: Remove all the black foam from the filter opening before installing the charcoal filters (FIG. D).

4. Reinstall the baffle filters.
5. Charcoal filters must be replaced after every 120 hours of use (or approximately every 3 to 4 months, based on an average of 1 - 2 hours of daily cooking time).

NOTE: DO NOT WASH CHARCOAL FILTERS. Charcoal filters may need to be changed more often depending on cooking habits.

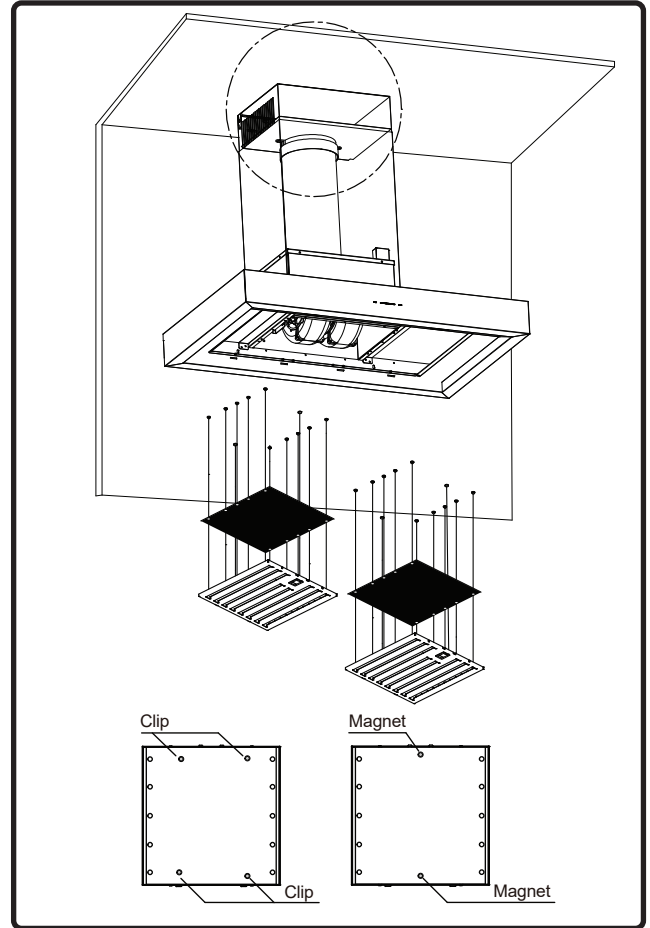
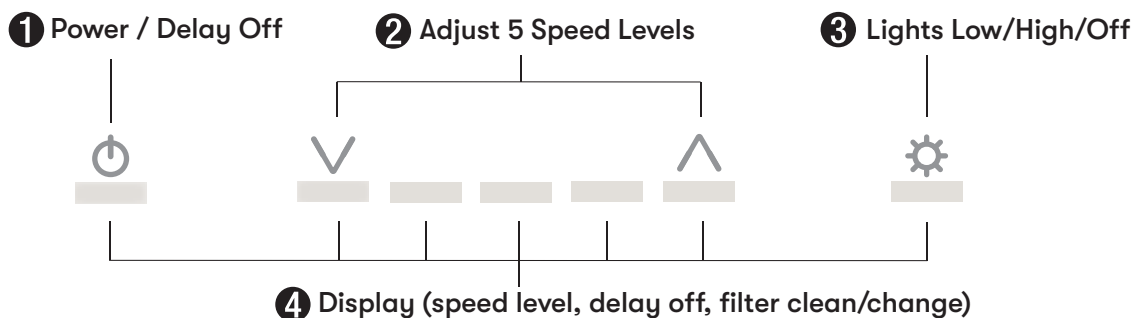


FIG. D


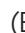

Features & Controls

ICON Touch Controls











1 POWER / DELAY OFF BUTTON

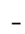
Power Button Function

-  Button will turn power on and off for entire hood (fan and lights).
- Hood will remember the last speed and light level it was turned off at.
(Example: Press  Button to turn off hood when on fan speed 4 and high lights. Press  Button again and the hood will turn back on at speed 4 and high lights level.)

Delay Off Button Function

- With the fan on press and hold the  Button for two seconds. The fan will change to speed 1 and the 5 minute delay off timer will start.
 +      LEDs will illuminate and slowly blink in accordance with the time remaining until the fan and lights automatically turn off.
- Pressing  Button while Delay Off Function is enabled will turn the hood off and cancel the Delay Off Function.

ACT™ Verification

- Airflow Control Technology (ACT™) allows the installer to set the maximum fan CFM to align with local codes and regulations.
 - To verify the maximum fan CFM:
 - With hood off, hold the  Button for two seconds. If all five fan speed indicators illuminate = default maximum CFM. If four fan speed indicators illuminate = 390 maximum CFM. If 3 fan speed indicators illuminate = 290 maximum CFM.

2 SPEED SELECTION BUTTON

Fan Speed Decrease Button

- Press this button to decrease fan speed. 5, 4, 3, 2, 1.
- If fan is On Speed 1 and this button is pressed, fan will power Off.

Fan Speed Increase Button

- Press this button to increase fan speed. Fan On, 1, 2, 3, 4, 5.
- If hood is Off and this button is pressed, fan will turn On Speed 1.

ACT™ Enabled Speed Selections

- When ACT™ is enabled, the number of fan speeds will be reduced as follows:
 - 390 CFM = Maximum 4 speeds
 - 290 CFM = Maximum 3 speeds

ICON Touch Controls

3 LIGHTS BUTTON ⚙️

- Lights have two levels, Low and High.
- From off, press one time for Low. Press again for High. Press again to power lights off.

4 DISPLAY INDICATORS

Baffle Filter Clean Reminder (always enabled)

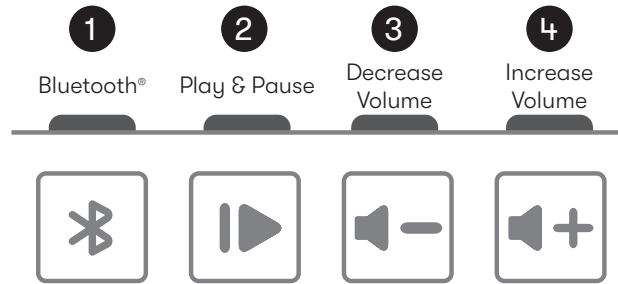
- After 30 hours of fan usage, the ▼ button indicator will begin to slowly blink indicating it is time to clean the baffle filters.
- **To reset:** With hood off: hold the ▼ button for three seconds. All LED indicators will blink two times confirming the 30 hour timer has been reset.

Charcoal Filter Replace Indicator (disabled by default, must be enabled if recirculating hood)

- To enable Charcoal Filter Replacement Reminder:
 - With hood off, hold ▲ button and ⚙️ button simultaneously for two seconds. All LED indicators will illuminate for three seconds confirming the Charcoal Filter Replace Reminder is enabled.
- To disable Charcoal Filter Replacement Reminder:
 - With hood off, hold ▲ button and ⚙️ button simultaneously for two seconds. All LED indicators will blink two times confirming the Charcoal Filter Replace Reminder is disabled.
- After 120 hours of fan usage the ▲ button will slowly blink indicating the charcoal filters need replacement.
- **To reset:** With hood off, hold the ▲ button for two seconds. All LED indicators will blink two times confirming the 120 hour timer has been reset.

Features & Controls


Bluetooth® Controls




Stereo Speaker uses Bluetooth® version 4.1

1. BLUETOOTH® BUTTON


▶ Power On & Pair the Device

Press the  button to turn on the speakers, indicated by (4) beeps from a low to high tone. And press the button again to sound the pairing process between the speakers and the device, indicated by (4) neutral tone beeps. The unit name is “Zephyr Bluetooth,” and it will automatically begin searching for a device to pair with. A bloop will be played with a successful connection between the speakers and the device.

▶ Disconnect the Device


Press the  button when the speakers have already paired with a device to disconnect them. (1) high-pitched beep will be played if disconnecting from the user’s device, and (4) neutral tone beeps and (1) high-pitched beep will be played if disconnecting from the speakers.

▶ Power Off

Hold the  button to power off the Bluetooth® speakers. (4) beeps from a high to low tone will be played as an indicator.

2. PLAY & PAUSE BUTTON

▶ Play


Press the  button to play the audio on the paired device.

▶ Pause

Press the  button to pause the audio on the paired device.

3. DECREASE VOLUME BUTTON

▶ Decrease Volume


Press the  button to lower the volume on the paired device.

▶ Previous Track

Hold the  button to skip back to the previous track.

4. INCREASE VOLUME BUTTON

▶ **Increase Volume**

Press the  button to increase the volume on the paired device.



▶ **Next Track**

Hold the  button to skip forward to the next track.

NOTE: The hood blower or lights do not need to be powered on for the speakers to activate. In addition, the play & pause, decrease volume, and increase volume buttons can still be accessed from the user's device.

Bluetooth® Connection

How to connect and pair to the Zephyr Bluetooth® Stereo Speakers for the first time:

1. To play your personal music or audio files, a Bluetooth® capable device is required.
2. Set the device to a low-to-midrange volume before connecting to the speakers.
3. Ensure the speakers are powered on by pressing the  button and the device is within range of the speakers.
4. Pair your device with the speakers:
 - ▶ Follow the instructions that came with your device to access the Bluetooth® settings and enable Bluetooth® (if it hasn't already been enabled). Most devices will require the user to go to the "Paired Devices" (or similar) screen and press "Search for Devices" (or similar) to search for the Bluetooth® speakers.
 - ▶ The unit name for the speakers will be discovered as "Zephyr Bluetooth" under Available Devices, Discoverable Devices, or similar. If the speakers were not discovered, repeat the process by powering off and powering on the speakers.
5. Open up your personal music or audio files on your connected device and play your desired music or audio files. The audio will be played from the Bluetooth® speakers.
6. When you're done playing your personal music or audio files, disconnect from the speakers by pressing  the button. (1) high-pitched beep will be played if disconnecting from the user's device, and (4) neutral tone beeps and (1) high-pitched beep will be played if disconnecting from the speakers.

Features & Controls

How to connect to the Zephyr Bluetooth® Stereo Speakers each subsequent time (after the initial connection has been made):

1. The speakers can only play audio files from one connected device at a time. If another device was to connect to the speakers, the currently connected device must disconnect (but not necessarily unpair) from the speakers first. Disconnecting refers to stopping the connection between the speakers and the device. Unpairing refers to forgetting its pairing connection, and by unpairing, the user would have to pair to the speakers again (refer to instructions above).
2. If your device was disconnected but not unpaired from the speakers when previously used, the user can access the “Paired Devices” (or similar) under Bluetooth® settings and tap on “Zephyr Bluetooth” to reconnect with the speakers.
3. Open up your personal music or audio files on your connected device and play your desired music or audio files. The audio will be played from the Bluetooth® speakers.
4. When you’re done playing your personal music or audio files, disconnect from the speakers by pressing the ✖ button. (1) high-pitched beep will be played if disconnecting from the user’s device, and (4) neutral tone beeps and (1) high-pitched beep will be played if disconnecting from the speakers.

NOTE: The speakers use Bluetooth® version 4.1. Most Bluetooth® versions are backwards compatible, meaning older versions can still connect to newer versions; however, some minor features will not be available, such as syncing the volume between the speakers and device.

Optional RF Remote Control

To enable RF remote control capabilities, the remote control accessory kit is required. The part number for the kit is RC-0002.

FCC Caution

To assure continued compliance, any changes or modifications not expressly approved by the party responsible for compliance could void the user's authority to operate this equipment. (Example - use only shielded interface cables when connecting to computer or peripheral device. This device complies with Part 15 of the FCC Rules. Operation is subject to the following two conditions. (1) This device may not cause harmful interference, and (2) This device must accept any interference received, including interference that may cause undesired operation.

Installation

To install remote control accessory kit, please follow these steps below.

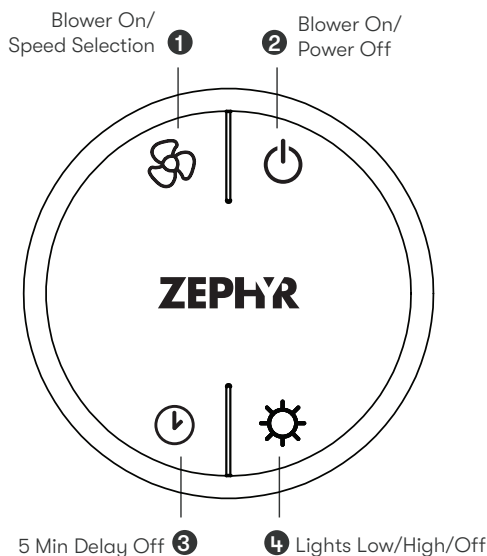
1. Locate PC board box on top of blower housing.
2. Remove 2-4 screws attaching PC board cover.
3. Connect the red wiring from the remote control control board to red connector in hood PC board.
4. Adhere remote control control board near PC board box.
5. The blue antenna wire needs to be extended for optimal signal. There is no need to secure it.

Synchronization

To create a unique link between your hood and remote control please follow these steps.

1. With hood off, press and hold the Lights button on the hood until the controls illuminate and flash.
2. Press a button on the remote, and the remote control will be synchronized with the hood.

RF Remote Control Functions



1 Blower On / Speed Selection

Press to power on blower and cycle through all blower speeds.

2 Blower On / Power Off

By pressing , the blowers will power on at the last speed setting. Press again and the entire hood will power off, including lights.

3 Delay Off

By pressing , the blower and lights will enter Delay Off mode. The blower will change to speed 1 and a 5 minute timer will begin counting down.

4 Lights Low/High/Off

Switch between light levels by pressing . Turn off the lights by cycling through the different light levels.

Features & Controls

Optional RF Remote Control

RF Remote Features

The RF remote control is equipped with a magnet on the back for easy storage. The remote may be placed on any magnetic surface such as a refrigerator or the Zephyr remote holder, FIG. E. The remote holder can be inserted into a standard electrical outlet for easy storage. Note: The remote holder does not charge the RF remote.

Maximum remote control communication distance is 15 feet from the liner.

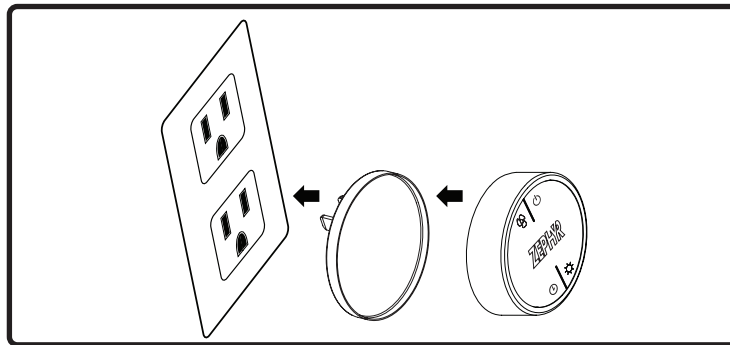


FIG. E

RF Remote Maintenance

Clean the remote control using non abrasive detergents.

Follow instructions below for replacing battery. Using a small flat head screwdriver, raise the cover of the battery door (A) in order to access the battery compartment. FIG. F.

Remove the battery and replace with battery type A23 12V. Negative end of battery should face the spring inside the remote.

Re-install battery door and recycle old battery.

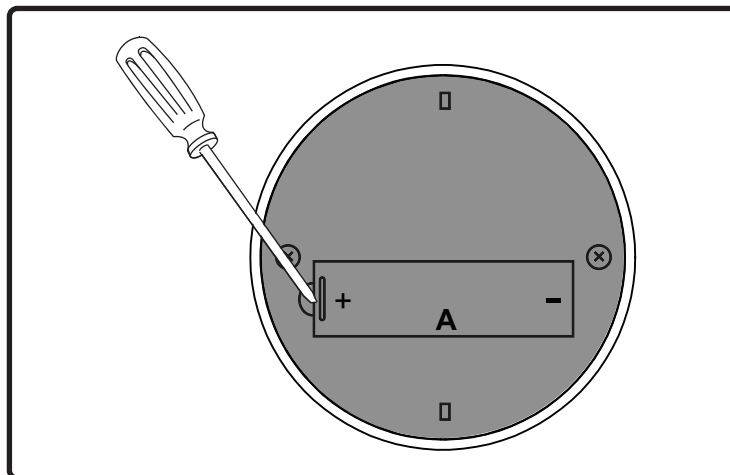


FIG. F

Hood & Grease Filter Cleaning

Surface Maintenance

- ▶ Do not use corrosive detergents, abrasive detergents or oven cleaners.
- ▶ Do not use any product containing chlorine bleach or any product containing chloride.
- ▶ Do not use steel wool or abrasive scrubbing pads which will scratch and damage surface.

Cleaning Stainless Steel

Clean periodically with warm soapy water and clean cotton cloth or micro fiber cloth. Always rub in the direction of the stainless steel grain. To remove heavier grease build up use a liquid degreaser detergent.

After cleaning use a non-abrasive stainless steel polish/cleaners, to polish and buff out the stainless luster and grain. Always scrub lightly, with clean cotton cloth or micro fiber cloth and buff in the direction of the stainless steel grain.

Cleaning Grease Filters

The grease filters installed by the factory are intended to filter out residue and grease from cooking. They need not be replaced on a regular basis but are required to be kept clean.

Remove and clean by hand or in dishwasher using a non-phosphate detergent. Discoloration of the grease filter may occur if using phosphate detergents, or as a result of local water conditions - but this will not affect filter performance. This discoloration is not covered by the warranty. Spray degreasing detergent and leave to soak if heavily soiled.

Dry grease filters and re-install before using hood.

Maintenance

Removing the Grease Filters (FIG. G):

1. Pull down on filter latch to release the filter tabs.
2. Pull down on front of filter to remove the grease filters.

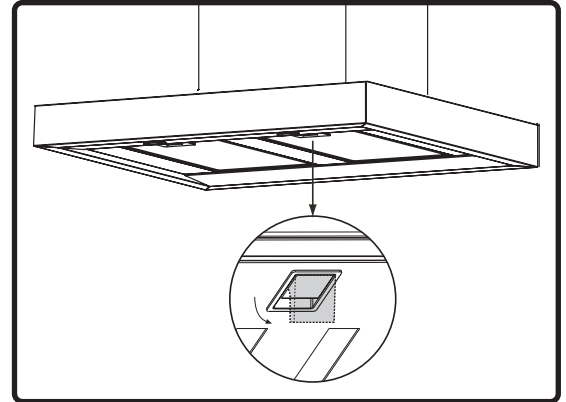


FIG. G

LumiLight LED

In the unlikely event that your LumiLight LED fails, please contact Zephyr to order replacement parts.

See the list of parts and accessories page for part numbers and contact information.

LED Removal (FIG. H):

1. Remove grease filters.
2. Remove the side panels (if applicable) and remove the light panel.
3. Disconnect LED light quick connector.
4. Push in the two side clips on the ends of the LED light.
5. Push LED light through the light panel opening.

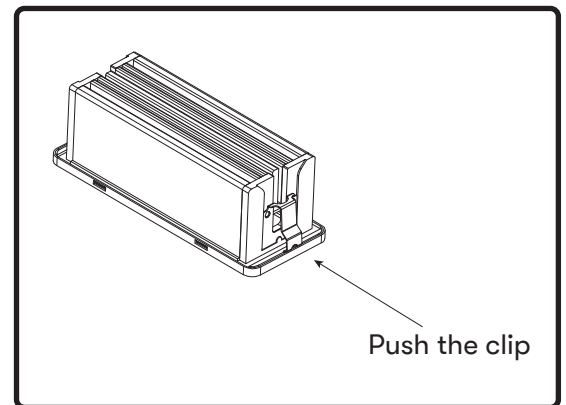
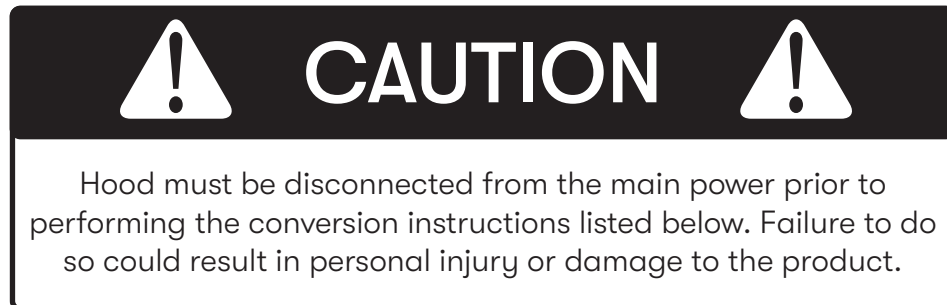


FIG. H

Airflow Control Technology (ACT™)

Some local codes limit the maximum amount of CFM a range hood can move. ACT™ allows you to control the maximum blower CFM of select Zephyr Ventilation range hoods without the need for expensive make up air kits. ACT™ enables the installer to easily set the maximum blower speed to one of two most commonly specified CFM levels; 390 or 290 CFM. The usage of ACT™ may not be necessary for your installation. Please check your local codes for CFM restrictions.



Enabling ACT™

To enable ACT™:

1. Before hood installation, gain access to PC board by following the steps shown in FIG. I.
2. Change plastic jumper positioning as shown in FIG. J to set the desired maximum blower CFM.
3. Re-install PC board and continue with hood installation.
4. Remove the appropriate foil CFM sticker included with the hood literature and place inside the hood body below the wiring diagram or in another clearly visible location.

To verify if your installer enabled ACT™:

1. With hood off, press and hold the power button for three seconds. If 5 LEDs illuminate = default max. CFM, if 4 LEDs illuminate = max. 390 CFM, and if 3 LEDs illuminate = max. 290 CFM.
2. When ACT™ is enabled, the number of blower speeds will be reduced. 390 CFM = max. 4 speeds and 290 CFM = max. 3 speeds.
3. There should also be a foil label located inside the hood body near the wiring diagram that indicates the blower CFM.

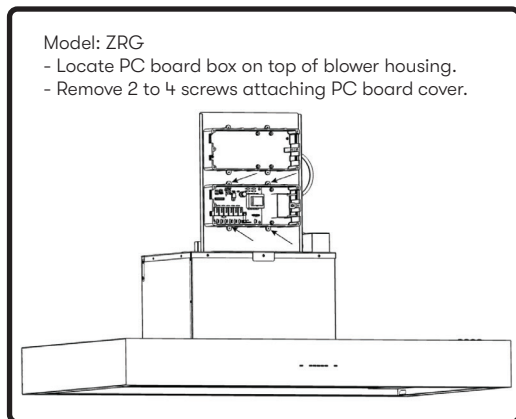


FIG. I

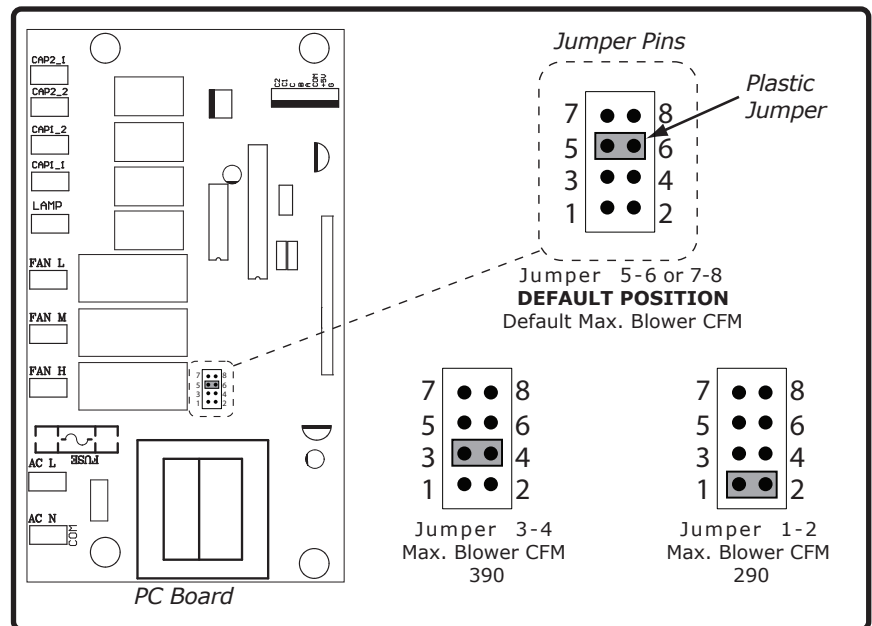


FIG. J

Troubleshooting

Possible Problem	Possible Cause	Solutions
After installation, the unit doesn't work.	The power source is not turned ON.	Make sure the circuit breaker and the unit's power is ON.
	The power line and the cable locking connector is not connecting properly.	Check the power connection with the unit is connected properly.
	The switch board or control board wirings are disconnected.	Make sure the wirings at the switch board and control board are connected properly.
	The switch board or control board is defective.	Change the switch board or control board.
Light works, but blower is not turning.	The blower cable is disconnected.	Connect the blower cable.
	Debris or obstruction in motor.	Remove the debris or obstruction.
	Motor defective or possibly seized.	Change the blower.
	Damaged capacitor.	Change the capacitor.
	The switch board or control board is defective.	Change defective part.
The unit is vibrating.	The blower is not secured in place.	Tighten the blower in place.
	Damaged blower wheel.	Replace the blower.
	The hood is not secured in place.	Check the installation of the hood.
The blower is working, but the lights are not.	The LumiLight LED connector is disconnected.	Connect the LumiLight LED connector.
	Defective LumiLight LED.	Change the LumiLight LED.
	The switch board or control board is defective.	Change the switch board or control board.
The hood is not venting out properly.	Using the wrong size of ducting.	Change the ducting to at least 6" round or higher.
	Using the wrong type of ducting. Flexible ducting can reduce air flow by up to 50%.	Change the ducting to solid rigid metal ducting.
	The hood might be hanging too high from the cook top.	Adjust the distance between the cook top and the bottom of the hood within 24" and 36" range.
	The wind from the opened windows or opened doors in the surrounding area are affecting the ventilation of the hood.	Close all the windows and doors to eliminate the outside wind flow.
	Blockage in the duct opening or ductwork.	Remove all the blocking from the duct work or duct opening.
The unit turns on by itself.	A spot light or kitchen lamp is shining directly onto the switch controls.	The switch controls are light sensitive. A direct light source onto the switch controls may disrupt switch functions.

Possible Problem	Possible Cause	Solutions
The hood speakers will not pair with the user's device.	The speaker's Bluetooth® is not actively pairing with any devices.	Press the Bluetooth® button to signal the pairing process.
	The speaker's Bluetooth® has stopped pairing with devices, signaled by a sound indication.	Hold the Bluetooth® button for a few seconds to turn off the device. Restart the pairing process by pressing the Bluetooth® button.
	There are competing devices attempting to pair with the speakers.	Only one device can connect to Zephyr Bluetooth at a time. On non-active devices, either turn off Bluetooth® or disconnect from Zephyr Bluetooth.
	The speaker's Bluetooth® is already paired to another device.	Disconnect Zephyr Bluetooth on the device or by pressing the Bluetooth® button on the hood.
The user's device will not pair with the hood speakers.	The user's device does not have Bluetooth® enabled.	Enable Bluetooth® on the user's device.
	The user's device may be out of range.	Make sure your device is within 30 feet of the hood and not obstructed.
	The user's device is already paired to another device.	Disconnect the other Bluetooth® device from the user's device.
	There are multiple errors preventing the user's device from pairing with the speaker's Bluetooth®.	Restart the user's device.
The user's device is paired with the hood speakers, but will not connect to the speakers.	There is an error during the pairing process.	Forget (remove) the speaker's Bluetooth® from the user's device and retry the pairing process.
	The user's device may be out of range.	Make sure your device is within 30 feet of the hood and not obstructed.
	There are multiple errors preventing the user's device from pairing the speaker's Bluetooth®.	Restart the user's device.
The hood speakers and the user's device are paired and connected, but there is no audio.	The volume is too low.	Increase the volume from either the speakers or the user's device.
	The audio is muted.	Unmute the volume and increase it to a moderate level.
	The sound on the user's device is not set as the default playback device.	Set Zephyr Bluetooth as the default playback device.
The maximum volume played from the speakers is too low.	If your device is using a version of Bluetooth® older than version 4.1, the volume may not synchronize correctly with the hood.	Try to increase the volume by pressing the Volume Up button on the hood.
I cannot hear my phone calls through the hood speakers	The hood is not compatible as a hands-free device because there is no microphone in the hood, it will only play audio.	Continue to use your phone for calls.

List of Parts & Accessories

Description	Part Number
Replacement Parts	
Replacement Charcoal Filter	ZOF-C005
LumiLight LED, 6W	ZOB0048
Baffle Filter	50210034
Optional Accessories	
Recirculating Kit	ZRC-00RG
Duct Cover Extension	Z1C-00RO
Make-up Air Kit	MUA006A
Remote Control Kit	RC-0002
RF Remote Control (remote w/ battery only)	14000005

To order parts, visit us online at <http://store.zephyronline.com>.

TO OBTAIN SERVICE UNDER WARRANTY OR FOR ANY SERVICE RELATED QUESTIONS**United States Customers please call: 1-888-880-8368 or contact us at: zephyronline.com/contact****Canada Customers please call: 1-800-361-0799 or Email: service@distinctive-online.com**

Zephyr Ventilation, LLC (referred to herein as “we” or “us”) warrants to the original consumer purchaser (referred to herein as “you” or “your”) of Zephyr products (the “Products”) that such Products will be free from defects in materials or workmanship as follows:

Three Year Limited Warranty for Parts: For three years from the date of your original purchase of the Products, we will provide, free of charge, Products or parts (including LED light bulbs, if applicable) to replace those that failed due to manufacturing defects subject to the exclusions and limitations below. We may choose, in our sole discretion, to repair or replace parts before we elect to replace the Products.

One Year Limited Warranty for Labor: For one year from the date of your original purchase of the Products, we will provide, free of charge, the labor cost associated with repairing the Products or parts to replace those that failed due to manufacturing defects subject to the exclusions and limitations below. After the first year from the date of your original purchase, you are responsible for all labor costs associated with this warranty.

Warranty Exclusions: This warranty covers only repair or replacement, at our option, of defective Products or parts and does not cover any other costs related to the Products including but not limited to: (a) normal maintenance and service required for the Products and consumable parts such as fluorescent, incandescent or halogen light bulbs, mesh and charcoal filters and fuses; (b) any Products or parts which have been subject to freight damage, misuse, negligence, accident, faulty installation or installation contrary to recommended installation instructions, improper maintenance or repair (other than by us); (c) commercial or government use of the Products or use otherwise inconsistent with its intended purpose; (d) natural wear of the finish of the Products or wear caused by improper maintenance, use of corrosive and abrasive cleaning products, pads, and oven cleaner products; (e) chips, dents or cracks caused by abuse or misuse of the Products; (f) service trips to your home to teach you how to use the Products; (g) damage to the Products caused by accident, fire, floods, acts of God; or (h) Custom installations or alterations that impact serviceability of the Products. If you are outside our service area, additional charges may apply for shipping costs for warranty repair at our designated service locations and for the travel cost to have a service technician come to your home to repair, remove or reinstall the Products. After the first year from the date of your original purchase, you are also responsible for all labor costs associated with this warranty. All Products must be installed by a qualified professional installer to be eligible for warranty repairs or service.

Limitations of Warranty. OUR OBLIGATION TO REPAIR OR REPLACE, AT OUR OPTION, SHALL BE YOUR SOLE AND EXCLUSIVE REMEDY UNDER THIS WARRANTY. WE SHALL NOT BE LIABLE FOR INCIDENTAL, CONSEQUENTIAL OR SPECIAL DAMAGES ARISING OUT OF OR IN CONNECTION WITH THE USE OR PERFORMANCE OF THE PRODUCTS. THE EXPRESS WARRANTIES IN THE PRECEDING SECTION ARE EXCLUSIVE AND IN LIEU OF ALL OTHER EXPRESS WARRANTIES. WE HEREBY DISCLAIM AND EXCLUDE ALL OTHER EXPRESS WARRANTIES FOR THE PRODUCTS, AND DISCLAIM AND EXCLUDE ALL WARRANTIES IMPLIED BY LAW, INCLUDING THOSE OF MERCHANTABILITY AND FITNESS FOR A PARTICULAR PURPOSE.

Some states or provinces do not allow limitations on the duration of an implied warranty or the exclusion or limitation of incidental or consequential damages, so the above limitations or exclusions may not apply to you. To the extent that applicable law prohibits the exclusion of implied warranties, the duration of any applicable implied warranty is limited to the same three-year and one-year periods described above if permitted by applicable law. Any oral or written description of the Products is for the sole purpose of identifying the Products and shall not be construed as an express warranty. Prior to using, implementing or permitting use of the Products, you shall determine the suitability of the Products for the intended use, and you shall assume all risk and liability whatsoever in connection with such determination. We reserve the right to use functionally equivalent refurbished or reconditioned parts or Products as warranty replacements or as part of warranty service. This warranty is not transferable from the original purchaser and only applies to the consumer residence where the Product was originally installed located in the United States and Canada. This warranty is not extended to resellers.

To Obtain Service Under Limited Warranty: To qualify for warranty service, you must: (a) notify us at the address or telephone number stated below within 60 days of the discovery of the defect; (b) give the model number and serial number; and (c) describe the nature of any defect in the Product or part. At the time of the request for warranty service, you must present evidence of your proof of purchase and proof of the original purchase date. If we determine that the warranty exclusions listed above apply or if you fail to provide the necessary documentation to obtain service, you will be responsible for all shipping, travel, labor and other costs related to the services. This warranty is not extended or restarted upon warranty repair or replacements.

Please check our website for any additional Product information, www.zephyronline.com

Zephyr, 2277 Harbor Bay Parkway, Alameda, CA 94502

Product Registration

Congratulations on the purchase of your Zephyr product! Please take a moment to register your new Zephyr product at www.zephyronline.com/registration

IT'S IMPORTANT

Prompt registration helps in more ways than one.

- Ensures warranty coverage should you need service.
- Ownership verification for insurance purposes.
- Notification of product changes or recalls.



Zephyr Ventilation | 2277 Harbor Bay Pkwy. | Alameda, CA 94502 | 1.888.880.8368

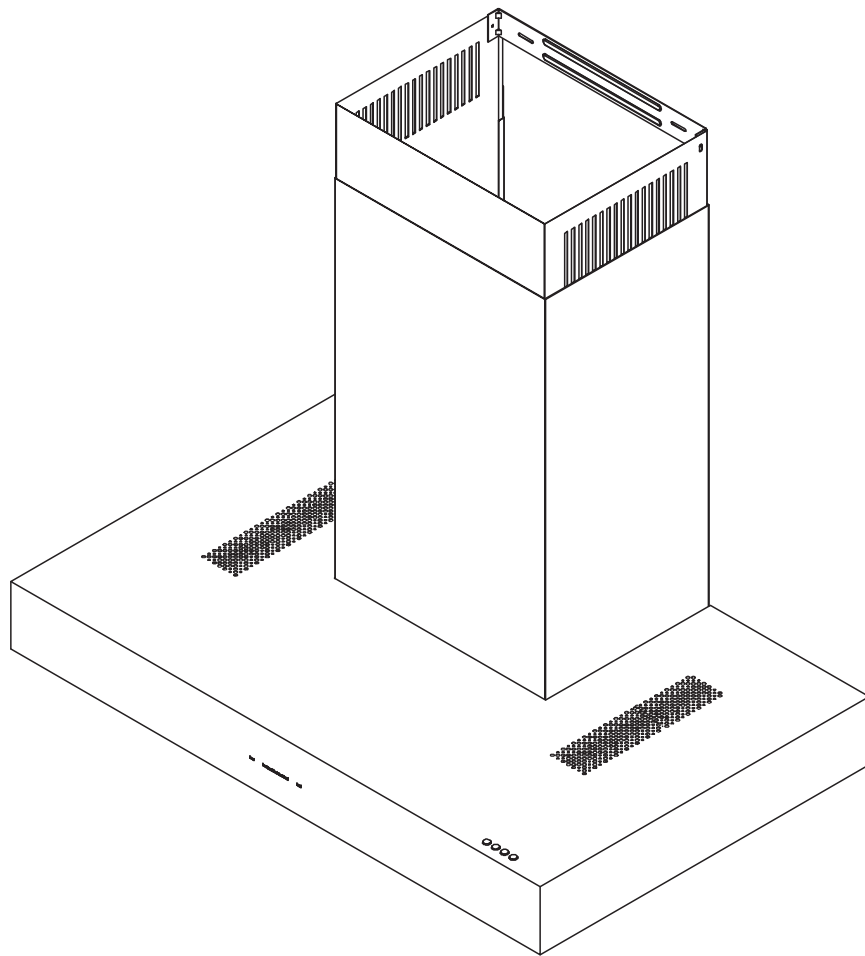
Roma Groove

ZRG-E30BS

ZRG-M90BS

EN Use, Care, and Installation Guide

FR Guide d'utilisation, d'entretien et d'installation



	Page
Consignes de sécurité	4-7
Types d'avertissements de sécurité	4
Sécurité générale.....	4
Opération	6
Exigences électriques	6
Avis de la FCC	7
Déclaration de la FCC.....	7
Liste de matériel	8
Instructions d'installation	9-17
Feuille de calcul pour le conduit d'aération.....	9
Hauteur de montage, dégagement et gaine	10-11
Options de conduits	12
Spécifications de la hotte	13
Fourniture électrique	14
Raccord de câble	14
Montage de la hotte	15
Recirculation sans conduit.....	16
Installation du kit de recirculation.....	17
Fonctionnalités et commandes	18-24
Commandes tactiles ICON	18-19
Commandes Bluetooth®.....	20-21
Connexion Bluetooth®	21-22
Télécommande RF en option.....	23-24
Entretien	25-26
Nettoyage de la hotte et du filtre à graisse.....	25
LumiLight LED.....	26
Conversion ACT™	27-28
Technologie de contrôle du débit d'air (ACT™)	27
Activer ACT™	28
Schéma de câblage	29
Dépannage	30-32
Liste des pièces et accessoires	33
Remarques	34
Garantie limitée	35
Enregistrement du produit	36

Consignes de sécurité

LISEZ ET CONSERVEZ CES INSTRUCTIONS

Votre sécurité et celle des gens qui vous entourent sont très importantes.

Ce manuel contient de nombreux messages de sécurité relatifs à votre appareil. Lisez tous les messages et conformez-vous-y en tout temps.



Voici le symbole d'alerte à la sécurité. Ce symbole vous informe de possibles dangers qui pourraient entraîner de graves lésions corporelles ou la mort. Tous les messages de sécurité suivent le symbole d'alerte à la sécurité et comportent les mots « **DANGER** », « **AVERTISSEMENT** » ou « **ATTENTION** ».

DANGER

Le mot « danger » signifie que le fait de ne pas tenir compte de l'énoncé de sécurité peut entraîner une blessure grave ou la mort.

AVERTISSEMENT

Le mot « avertissement » signifie que le fait de ne pas tenir compte de l'énoncé de sécurité peut entraîner des dommages importants au produit, une lésion corporelle grave ou la mort.

ATTENTION

Le mot « attention » signifie que le fait de ne pas tenir compte de l'énoncé de sécurité peut entraîner une lésion corporelle mineure ou modérée, ou encore des dommages au produit ou à la propriété.

Sécurité générale

ATTENTION

Pour réduire le risque d'incendie ou de choc électrique, n'utilisez pas ce ventilateur avec un dispositif de commande à semi-conducteurs.

AVERTISSEMENT

AVERTISSEMENT - POUR RÉDUIRE LES RISQUES D'INCENDIE, DE CHOC ÉLECTRIQUE OU DE BLESSURES AUX PERSONNES, RESPECTEZ LES SUIVANTS:

- N'utilisez cet appareil que de la manière prévue par le fabricant. Si vous avez des questions, contactez le fabricant.
- Avant l'entretien ou le nettoyage de l'unité, coupez l'alimentation au panneau de service et verrouillez les moyens de déconnexion de service pour éviter toute mise sous tension accidentelle. Lorsque le moyen de déconnexion de service ne peut pas être verrouillé, fixez solidement un dispositif d'avertissement bien visible, tel qu'une étiquette, au panneau de service.

ATTENTION

Pour Une Ventilation Générale Uniquement. Ne Pas Utiliser Pour Évacuer Des Matières Et Des Vapeurs Dangereuses Ou Explosives. Soyez prudent lorsque vous utilisez des produits de nettoyage pour détergents. Convient pour une utilisation dans la zone de cuisson domestique.

AVERTISSEMENT

AVERTISSEMENT - POUR RÉDUIRE LE RISQUE D'INCENDIE DE GRAISSE SUR LE HAUT DE CUISINIÈRE:

- Ne laissez jamais les unités de surface sans surveillance à des réglages élevés. Les débordements provoquent de la fumée et des débordements graisseux qui peuvent s'enflammer. Chauffer les huiles lentement à des réglages faibles ou moyens.
- Allumez toujours la hotte lorsque vous cuisinez à feu vif ou lorsque vous flambez des aliments. (c'est-à-dire Crêpes Suzette, Cerises Jubilee, Boeuf au Poivre Flambé »).
- Nettoyez fréquemment les ventilateurs de ventilation. La graisse ne doit pas s'accumuler sur le ventilateur ou le filtre.
- Utilisez une taille de casserole appropriée. Utilisez toujours des ustensiles de cuisine adaptés à la taille de l'élément de surface.

LISEZ ET CONSERVEZ CES INSTRUCTIONS



AVERTISSEMENT - POUR RÉDUIRE LE RISQUE DE BLESSURE DES PERSONNES EN CAS D'INCENDIE DE GRAISSE SUR LE HAUT DE LA CUISINIÈRE, RESPECTEZ CE QUI SUIT^o:

a) DES FLAMMES PLUS INTELLIGENTES avec un couvercle bien ajusté, une plaque à biscuits ou un plateau en métal, puis éteignez le brûleur. FAITES ATTENTION À ÉVITER LES BRÛLURES. Si les flammes ne s'éteignent pas immédiatement, ÉVACUER ET APPELER LE DÉPARTEMENT DES INCENDIES.

b) NE JAMAIS RAMASSER UNE PLAQUE ENFLAMME - Vous pourriez être brûlé.

c) N'UTILISEZ PAS D'EAU, ni de torchons ou de serviettes humides - une violente explosion de vapeur en résultera.

d) Utilisez un extincteur UNIQUEMENT si:

- 1) Vous savez que vous possédez un extincteur de classe ABC et vous savez déjà comment l'utiliser.
- 2) Le feu est petit et contenu dans la zone où il a commencé.
- 3) Le service d'incendie est appelé.
- 4) Vous pouvez combattre le feu dos à une sortie

^oBasé sur "Kitchen Firesafety Tips" publié par la NFPA.



AVERTISSEMENT
POUR RÉDUIRE LES RISQUES D'INCENDIE, UTILISEZ
UNIQUEMENT DES CONDUITS MÉTALLIQUES.



Pour réduire les risques d'incendie et pour évacuer correctement l'air extérieur, ne pas évacuer l'air évacué dans les espaces à l'intérieur des murs, plafonds, greniers, vides sanitaires ou garages.



AVERTISSEMENT - POUR RÉDUIRE LES RISQUES D'INCENDIE, DE DÉCHARGE ÉLECTRIQUE OU DE BLESSURES AUX PERSONNES, RESPECTEZ CE QUI SUIT:

a) Les travaux d'installation et le câblage électrique doivent être effectués par des personnes qualifiées conformément à tous les codes et normes applicables, y compris la construction résistant au feu.

b) Une quantité d'air suffisante est nécessaire pour une combustion et une évacuation correctes des gaz par le conduit de fumée (cheminée) de l'équipement à combustible pour empêcher le refoulement. Suivez les directives et les normes de sécurité du fabricant de l'équipement de chauffage, telles que celles publiées par la National Fire Protection Association (NFPA), l'American Society for Heating, Refrigeration and Air Conditioning Engineers (ASHRAE) et les autorités locales du code.

c) Lorsque vous coupez ou percez dans un mur ou un plafond, n'endommagez pas le câblage électrique et les autres services publics cachés.

d) Les ventilateurs à conduit doivent toujours être ventilés vers l'extérieur.

e) Si cet appareil doit être installé au-dessus d'une baignoire ou d'une douche, il doit être marqué comme approprié pour l'application et être connecté à un circuit de dérivation protégé par un disjoncteur de fuite à la terre (GFCI).



Prop. 65 Avertissement pour les résidents de Californie: Ce produit peut contenir des produits chimiques reconnus par l'État de Californie comme pouvant provoquer le cancer, des malformations congénitales ou d'autres troubles de la reproduction.

Consignes de sécurité

LISEZ ET CONSERVEZ CES INSTRUCTIONS

Opération

- ▶ Laissez toujours les grilles de sécurité et les filtres en place. Sans ces composants, les soufflantes en fonctionnement pourraient s'accrocher aux cheveux, aux doigts et aux vêtements amples.
- ▶ Le fabricant décline toute responsabilité en cas de non-respect des instructions données ici pour l'installation, la maintenance et l'utilisation appropriée du produit. Le fabricant décline en outre toute responsabilité en cas de blessure due à une négligence et la garantie de l'unité expire automatiquement en raison d'un mauvais entretien.

REMARQUE: veuillez consulter www.zephyronline.com pour les révisions avant d'effectuer tout travail personnalisé.

Exigences électriques

Important:

- ▶ Respectez tous les codes et ordonnances en vigueur.
- ▶ Il est de la responsabilité du client d'en prendre connaissance ci-dessous:
- ▶ Pour contacter un installateur électrique qualifié.
- ▶ Pour garantir que l'installation électrique est adéquate et conforme au National Electrical Code, ANSI / NFPA 70 dernière édition * ou aux normes CSA C22.1-94, Code canadien de l'électricité, partie 1 et C22.2 No.0-M91 - dernière édition ** et tous les codes et ordonnances locaux.
- ▶ Si les codes le permettent et qu'un fil de terre séparé est utilisé, il est recommandé qu'un électricien qualifié détermine que le chemin de terre est adéquat.
- ▶ Ne pas mettre à la terre un tuyau de gaz.
- ▶ Vérifiez auprès d'un électricien qualifié si vous n'êtes pas sûr que la hotte est correctement mise à la terre.
- ▶ Ne pas avoir de fusible dans le circuit neutre ou de terre.
- ▶ Cet appareil nécessite une alimentation électrique de 120 V à 60 Hz et est connecté à un circuit de dérivation individuel correctement mis à la terre protégé par un disjoncteur de 15 ou 20 ampères ou un fusible temporisé. Le câblage doit être à 2 fils avec mise à la terre. Veuillez également vous référer au schéma électrique du produit.
- ▶ Un connecteur de verrouillage de câble (non fourni) peut également être requis par les codes locaux. Vérifiez les exigences locales, achetez et installez le connecteur approprié si nécessaire.

* National Fire Protection Association Batterymarch Park, Quincy, Massachusetts 02269

** CSA International 8501 East Pleasant Valley Road, Cleveland, Ohio 44131-5575

- ▶ Destiné à un patio extérieur couvert ou à une véranda.
- ▶ Convient pour une utilisation dans des endroits humides lorsqu'il est installé dans un circuit de dérivation protégé par GFCI.

LISEZ ET CONSERVEZ CES INSTRUCTIONS

La marque verbale et les logos Bluetooth® sont des marques déposées appartenant à Bluetooth SIG, Inc.

Avis de la FCC



Cet appareil est conforme à la partie 15 des règles de la FCC. Le fonctionnement est soumis aux deux conditions suivantes :

- ▶ Cet appareil ne doit pas causer d'interférences nuisibles et
- ▶ Cet appareil doit accepter toute interférence reçue, y compris les interférences qui provoquent un fonctionnement indésirable.

Déclaration FCC

- ▶ Cet équipement a été testé et déclaré conforme aux limites d'un appareil numérique de classe B, conformément à la partie 15 des règles de la FCC. Ces limites sont conçues pour fournir une protection raisonnable contre les interférences nuisibles dans une installation résidentielle.
- ▶ Cet équipement génère, utilise et peut émettre de l'énergie de radiofréquence et, s'il n'est pas installé et utilisé conformément aux instructions, peut causer des interférences nuisibles aux communications radio. Cependant, il n'y a aucune garantie que des interférences ne se produiront pas dans une installation particulière. Si cet équipement cause des interférences nuisibles à la réception radio ou télévision, ce qui peut être déterminé en éteignant et en rallumant l'équipement, l'utilisateur est encouragé à essayer de corriger l'interférence par une ou plusieurs des mesures suivantes :
- ▶ Réorienter ou déplacer l'antenne de réception
- ▶ Augmenter la distance entre l'équipement et le récepteur
- ▶ Connexion de l'équipement à une prise qui se trouve sur un circuit différent de celui de la radio ou du téléviseur
- ▶ Consulter le revendeur ou un technicien radio/TV expérimenté pour obtenir de l'aide.

Contient l'ID FCC : A8TBM23SPKXYC2A

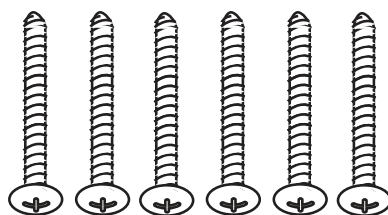
Liste de matériel

Pièces fournies

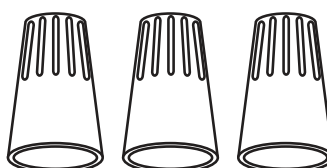
Quantité	Partie
1	Hotte
1	Support mural pour couvercle de conduit
1	Assemblage du couvercle du conduit (haut et bas)
2	Filtres à chicane
2	LumiLight LED (préinstallée)
1	Haut-parleurs stéréo Bluetooth® (préinstallés)
1	Clapet anti-retour rond de 6 po (pré-installé)
1	Pack matériel

(6) M6 x 1 po

(4) M4 x 8



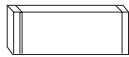

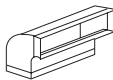
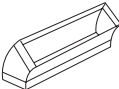

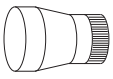
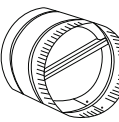
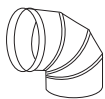
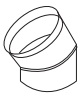
(3) Fil Écrous



Pièces non fournies

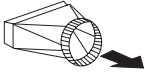
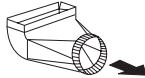
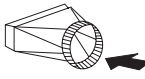
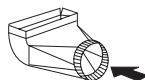
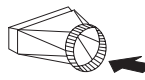
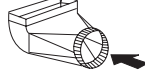
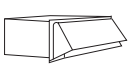
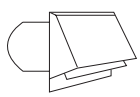

Conduits, conduits et tous les outils d'installation
Raccord de câble (si requis par les codes locaux)
Rallonge de cache-conduit (Z1C-00RO)

Feuille de calcul pour le conduit d'aération

Pièces de conduit		Longueur x	Nombre utilisé	=	Total
	3-1/4" x 10" rect., droit	1 pi	x () =		pi
	6", 7", 8", 10" circ., droit	1 pi	x () =		pi
	3-1/4" x 10" rect., coude à 90°	15 pi	x () =		pi
	3-1/4" x 10" rect., coude à 45°	9 pi	x () =		pi
	3-1/4" x 10" rect., coude plat à 90°	24 pi	x () =		pi
	7" to 6" or 8" to 7" circ. reducteur conique	25 pi	x () =		pi
	6", 7", 8" circ. bouchone de l'air	15 pi	x () =		pi
	6", 7", 8", 10" circ., coude à 90°	15 pi	x () =		pi
	6", 7", 8", 10" coude à 45°	9 pi	x () =		pi
Sous-total - colonne 1 =					pi

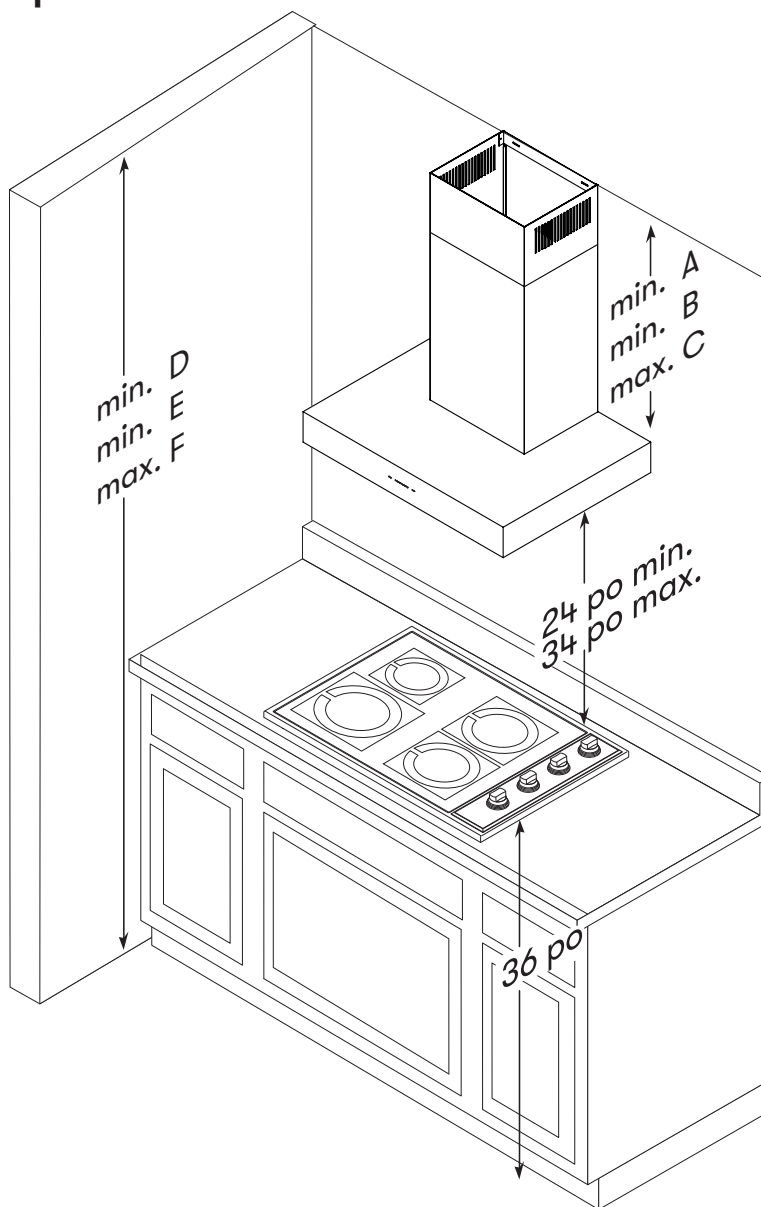
Longueur maximale du conduit d'aération :

Pour un mouvement d'air convenable, la longueur totale d'un conduit d'aération ne devrait pas compter plus que l'équivalent de 150 pieds.

Pièces de conduit		Longueur x	Nombre utilisé	=	Total
	6" circ. à rect. de 3-1/4" x 10"	5 pi	x () =		pi
	6" circ. à rect. de 3-1/4" x 10", coude à 90°	20 pi	x () =		pi
	6" circ. à rect. de 3-1/4" x 10"	1 pi	x () =		pi
	6" circ. à rect. de 3-1/4" x 10", coude à 90°	16 pi	x () =		pi
	7" circ. à rect. de 3-1/4" x 10"	8 pi	x () =		pi
	7" circ. à rect. de 3-1/4" x 10", coude à 90°	23 pi	x () =		pi
	3-1/4" x 10" embout mural rect./registre	30 pi	x () =		pi
	6", 7", 8", 10" embout mural circ./registre	30 pi	x () =		pi
	6", 7", 8", 10" chapeau de toiture circ.	30 pi	x () =		pi
Sous-total - colonne 2 =					pi
Sous-total - colonne 1 =					pi
Total du conduit =					pi

Instructions d'installation

Feuille de calcul pour le conduit d'aération



Hauteurs de hotte	Couvercle de conduit standard	Couverture de conduit d'extension
minimum gainé (A)	27 po	42 po
recirculation minimale (B)	31-1/2 po	46 po
maximale (C)	48-1/2 po	78 po
Hauteurs de plafond		
minimum gainé (A)	87 po (7 pi 3 po)	102 po (8 pi 6 po)
recirculation minimale (B)	91-1/2 po (7 pi 7-1/2 po)	106 po (8 pi 10 po)
maximale (C)	108-1/2 po (9 pi 1/2 po)	148 po (12 pi 4 po)

Feuille de calcul pour le conduit d'aération

Un conduit rond d'au moins 6 po doit être utilisé pour maintenir une efficacité maximale du débit d'air.

Utilisez toujours uniquement des conduits métalliques de type rigide. Les conduits flexibles pourraient restreindre le débit d'air jusqu'à 50%.

Utilisez la feuille de calcul pour calculer le travail total des conduits (page 10).

TOUJOURS, dans la mesure du possible, réduire le nombre de transitions et de virages. Si un long parcours de conduit est nécessaire, augmentez la taille du conduit de 6 po à 7 po.

Si des virages ou des transitions sont nécessaires : Installer aussi loin que possible de l'ouverture du conduit et aussi loin que possible entre les deux transitions.

La hauteur de montage minimale entre le haut de la cuisinière et le bas de la hotte ne doit pas être inférieure à 24 po.

La hauteur de montage maximale ne doit pas dépasser 36 po.

Il est important d'installer la hotte à la bonne hauteur de montage. Les hottes montées trop bas peuvent entraîner des dommages causés par la chaleur et un risque d'incendie ; tandis que les capots montés trop haut seront difficiles à atteindre et perdront en performance et en efficacité. Si disponible, reportez-vous également aux exigences de dégagement en hauteur du fabricant de la cuisinière et à la hauteur de montage de la hotte recommandée au-dessus de la cuisinière. Vérifiez toujours vos codes locaux pour toute différence.


Kit d'extension de couvercle de conduit disponible pour des hauteurs de plafond allant jusqu'à 12 pieds. Consultez la section Pièces et accessoires pour connaître le numéro de pièce et les informations de commande.

Pour les dommages d'expédition et d'installation:


- ▶ Veuillez inspecter complètement l'unité pour les dommages avant l'installation.
- ▶ Si l'appareil est endommagé pendant le transport, renvoyez-le au magasin où il a été acheté pour réparation ou remplacement.
- ▶ Si l'appareil est endommagé par le client, la réparation ou le remplacement est à la charge du client.
- ▶ Si l'unité est endommagée par l'installateur (si autre que le client), la réparation ou le remplacement doit être effectué après accord entre le client et l'installateur.

Instructions d'installation

Options de conduits

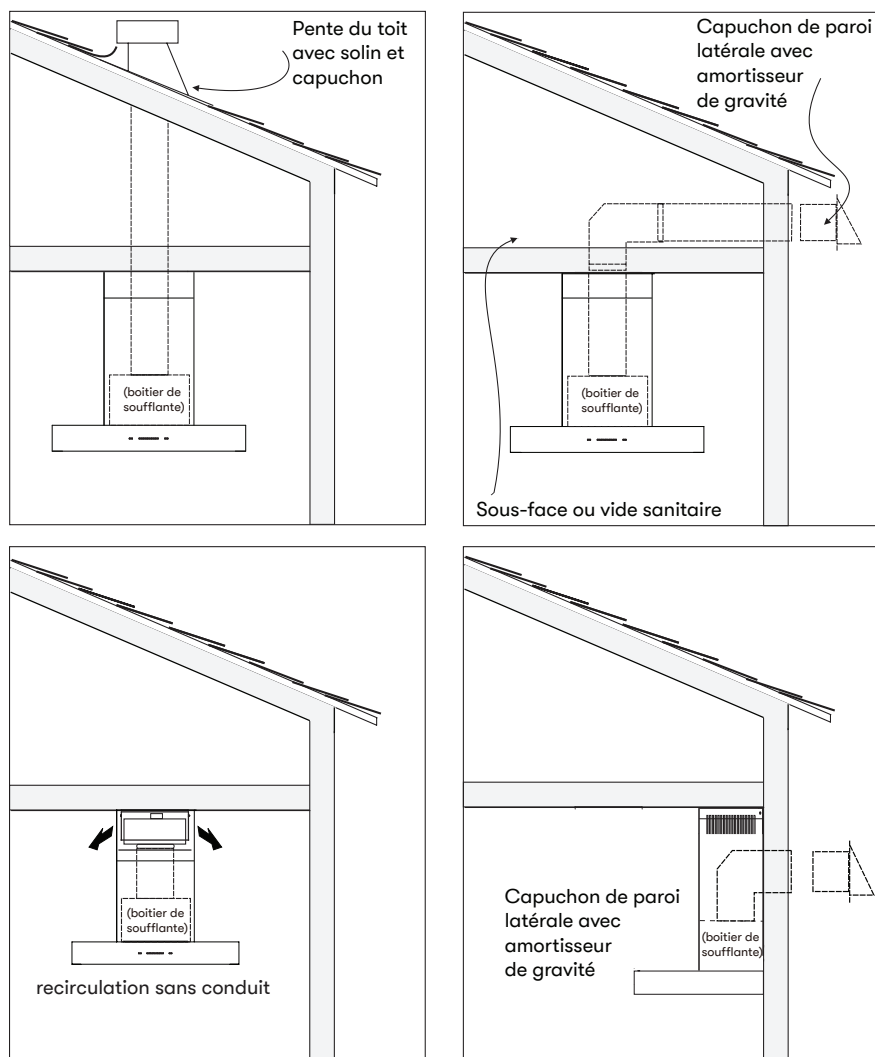


ATTENTION

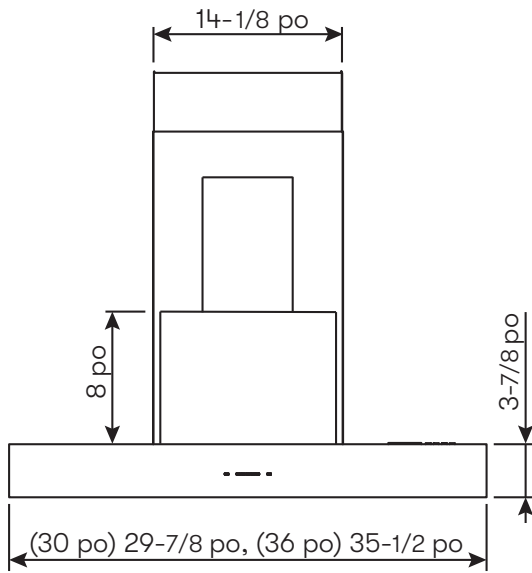


Risque d'incendie: NE JAMAIS évacuer l'air ni terminer de conduits dans des espaces entre les murs, les vides sanitaires, les plafonds, les greniers ou les garages. Tout l'échappement doit être canalisé vers l'extérieur, à moins d'utiliser l'option de recirculation.

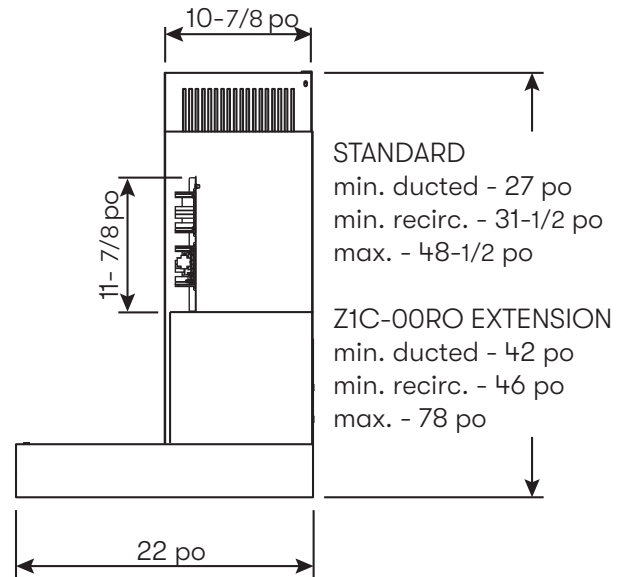
- ▶ Utilisez uniquement des conduits métalliques rigides à paroi simple.
- ▶ Fixez toutes les connexions avec des vis à tôle et collez tous les joints avec du ruban argenté ou du ruban adhésif.



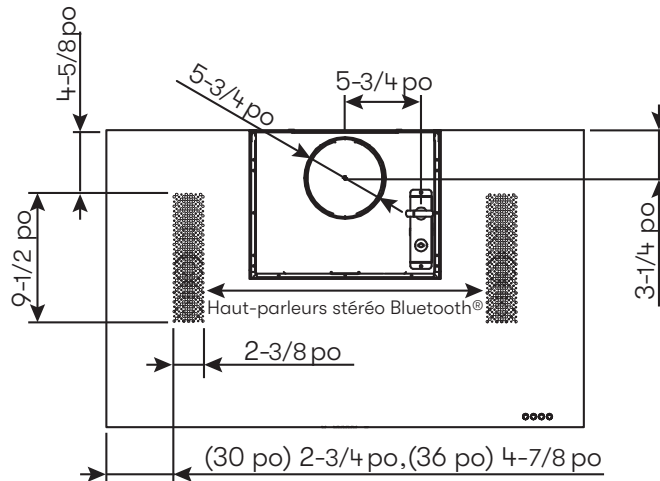
Spécifications de la hotte



VUE DE FACE



VUE DE CÔTÉ



VUE DE DESSUS

Instructions d'installation

Fourniture électrique

**ATTENTION**

Le câblage électrique doit être effectué par des personnes qualifiées conformément à tous les codes et normes applicables.
Cette hotte doit être correctement mise à la terre. Coupez l'alimentation électrique à l'entrée de service avant le câblage.

Pour votre sécurité personnelle, retirez le fusible de la maison ou ouvrez le disjoncteur avant de commencer l'installation. N'utilisez pas de rallonge ni de fiche d'adaptateur avec cet appareil.

Suivez les codes électriques nationaux ou les codes et règlements locaux en vigueur.

Cet appareil nécessite une alimentation électrique de 120 V 60 Hz et est connecté à un circuit de dérivation individuel correctement mis à la terre, protégé par un disjoncteur de 15 ou 20 ampères ou un fusible temporisé. Le câblage doit être à 2 fils avec terre. Veuillez également vous référer au schéma électrique étiqueté sur le produit.

Raccord de câble

Un connecteur de verrouillage de câble (non fourni) peut être requis par les codes locaux. Vérifiez les exigences et les codes locaux, achetez et installez le connecteur approprié si nécessaire. (FIG. A)

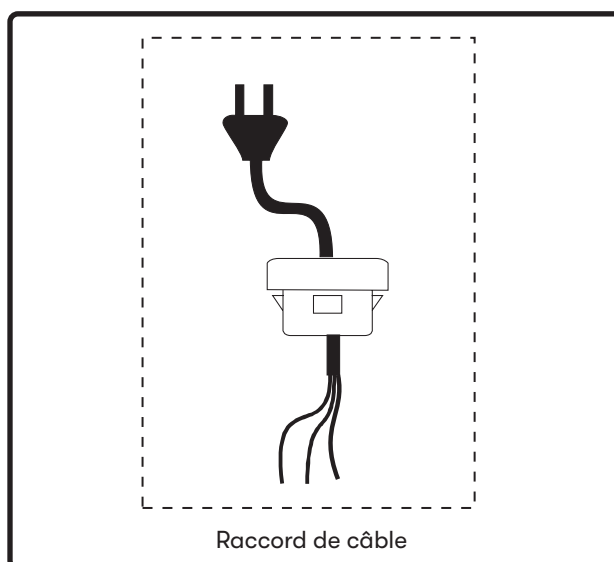


FIG. A

Montage de la hotte



1. Ajustez les supports de montage en desserrant (2) vis préinstallées par support. Montez le support de la boîte de composants sur la hotte avec (2) vis M4 x 8 avec la boîte de composants tournée vers l'extérieur.
2. Mesurez le haut de la cuisinière jusqu'au bas de la hotte et marquez la ligne A (24 po minimum à partir du haut de la cuisinière). Marquez la ligne centrale verticalement.
3. Mesurez 11-3/8 po au-dessus de la ligne A et marquez la hauteur de la hotte, ligne B. Mesurez 5-1/8 po sur la ligne B à partir du C/L et marquez la distance de montage.
4. Marquez l'écart de montage verticalement jusqu'à ce qu'une croix ait été formée pour déterminer l'emplacement exact des vis M6 x 1 po.
5. Serrez (2) vis M6 x 1 po dans les goujons sur la ligne B, mais ne les serrez pas complètement.

REMARQUE: Il peut être nécessaire d'ajouter des blocs de bois derrière la cloison sèche s'il n'y a pas de montants. Des ancrages muraux peuvent également être utilisés, mais vérifiez la conformité aux codes locaux. Le fait de ne pas utiliser des ancrages muraux et des vis appropriés pour supporter le poids de la hotte pourrait entraîner des blessures ou endommager la surface de cuisson ou le comptoir.

6. Accrochez la hotte aux vis de montage et serrez à la main chaque vis. (FIG. B). Centrez et fixez le support de montage du cache-conduit au mur juste en dessous du plafond ou du soffite à l'aide de (2) vis M6 x 1 po.
7. Installer l'électricité et les conduits. Sceller les conduits avec du ruban adhésif en aluminium. Mettez la hotte sous tension et vérifiez s'il y a des fuites autour du ruban adhésif.
8. Placez les couvercles de conduit télescopiques sur la hotte et étendez le couvercle de conduit intérieur (supérieur) vers le haut. Fixez-le au support du cache-conduit à l'aide de (2) vis M4 x 8.

REMARQUE: Si vous utilisez la hotte en mode de recirculation, vous devez fixer la plaque de dérivation d'air sur le mur avant d'installer les conduits et les couvercles de conduit. Vous devrez également installer des filtres à charbon et des supports.

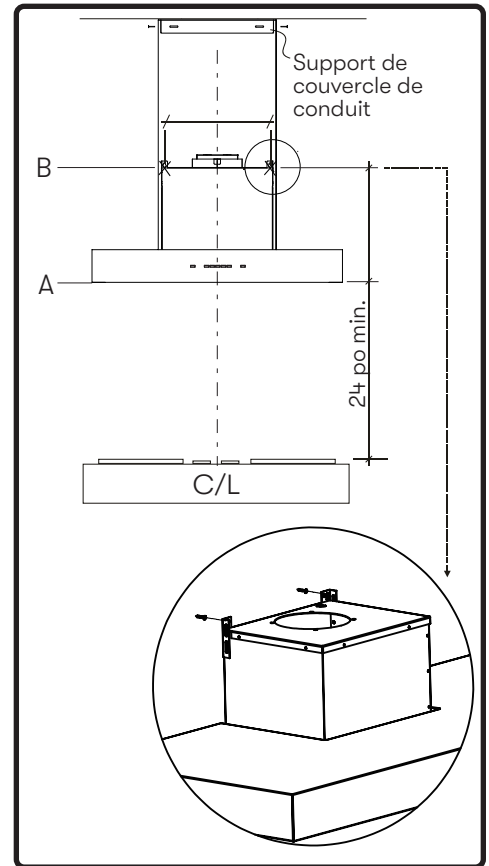


FIG. B

Instructions d'installation

Recirculation sans conduit

La recirculation sans conduit est destinée aux applications où un conduit d'évacuation ne peut pas être installé. Une fois convertie, la hotte fonctionne comme une hotte à recirculation plutôt que comme une hotte aspirante. Les fumées et les gaz d'échappement de la cuisson sont aspirés et filtrés par un ensemble de filtres à charbon en option. L'air est ensuite purifié et recyclé dans la maison.

Nous recommandons de TOUJOURS évacuer l'air à l'extérieur de la maison en utilisant des conduits existants ou en installant de nouveaux conduits, si possible. La hotte est la plus efficace et la plus efficace en tant que hotte aspirante. Ce n'est que lorsque l'option d'échappement n'est pas possible que vous devriez recourir à la conversion de la hotte en hotte à recirculation.

Lorsqu'il est converti en hotte à recirculation, un ensemble de filtres à charbon est requis en plus de son ensemble de filtres métalliques standard. Commandez selon son numéro de pièce ci-dessous. Les filtres à mailles standard sont destinés à capturer les résidus de cuisson, et les filtres à charbon en option aident à purifier les fumées épuisées de la cuisson pour la recirculation.

Installation du kit de recirculation (requis si aucun conduit n'est utilisé)

Pour des instructions d'installation détaillées, veuillez vous référer au manuel inclus avec le kit de recirculation. Le kit comprend les filtres à charbon et la plaque de dérivation d'air.

Modèle de hotte	Numéro de pièce du kit de recirculation	Quantité à commander	Numéro de pièce de rechange du filtre à charbon	Quantité à commander
ZRG	ZRC-00RG	2	ZOF-C005	2

1. Achetez le kit de recirculation selon le numéro de pièce ci-dessus.
2. Fixez la plaque de dérivation d'air au mur sous le support du cache-conduit avec (2) vis. Faites passer le conduit de 6 po à partir du haut de la hotte et fixez-le à la plaque de dérivation d'air (FIG. C).

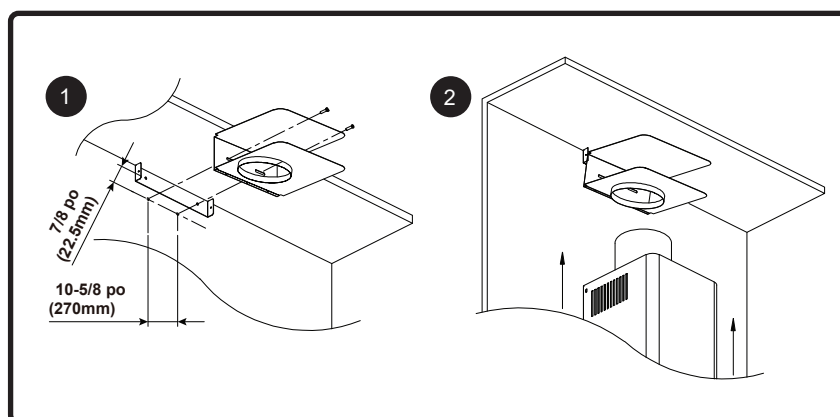


FIG. C

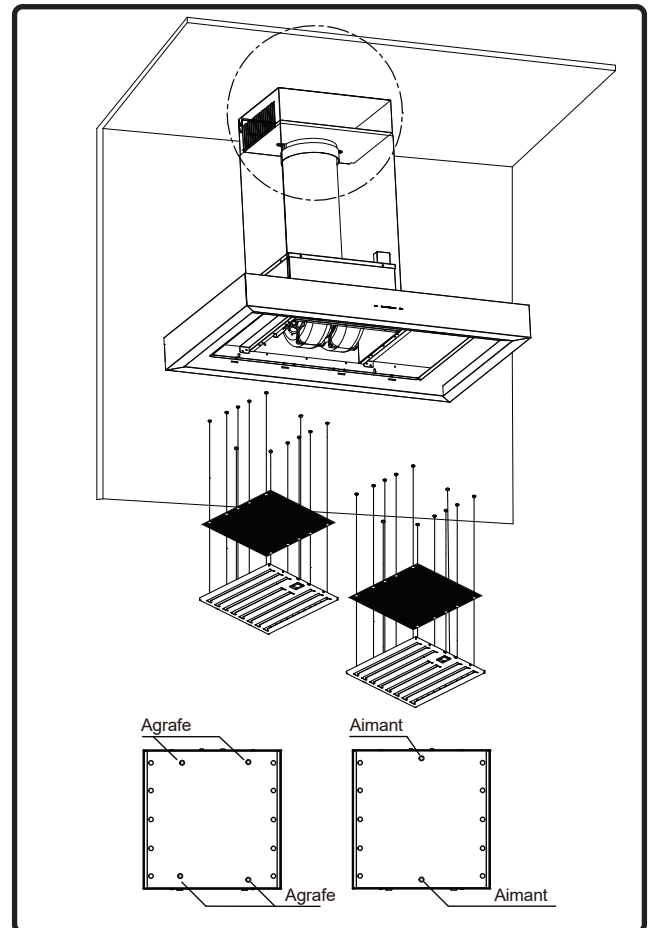
Installation du kit de recirculation (requis si aucun conduit n'est utilisé)

3. Retirez les filtres déflecteurs de la hotte. Placez les filtres à charbon à l'arrière des filtres à chicane. Fixez les filtres à charbon en place avec des clips en caoutchouc ou des aimants, selon la conception du filtre.

REMARQUE: Retirez toute la mousse noire de l'ouverture du filtre avant d'installer les filtres à charbon (FIG. D).

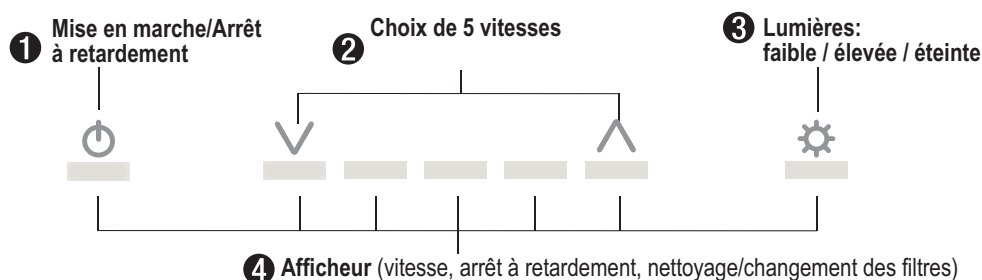
4. Réinstallez les filtres déflecteurs.
5. Les filtres à charbon doivent être remplacés toutes les 120 heures d'utilisation (ou environ tous les 3 à 4 mois, sur la base d'une moyenne de 1 à 2 heures de temps de cuisson quotidien).

REMARQUE: NE PAS LAVER LES FILTRES À CHARBON. Les filtres à charbon peuvent devoir être changés plus souvent selon les habitudes de cuisson.

**FIG. D**




Fonctionnalités et commandes

Commandes tactiles ICÔNE








1 MISE EN MARCHÉ/ARRÊT À RETARDEMENT


Fonction de la touche de mise en marche

- La touche  permet d'allumer et d'éteindre toutes les fonctions de la hotte (ventilateurs et lumières).
- La hotte se rappelle la dernière vitesse et le dernier niveau d'éclairage utilisés.
(Exemple : Appuyez sur la touche  lorsque le ventilateur fonctionne à la vitesse 4 et que les lumières sont allumées à haute intensité. Si vous appuyez de nouveau sur la touche , le ventilateur repart à la vitesse 4 et les lumières se rallument à haute intensité.)

Fonction de la touche d'arrêt à retardement

- Lorsque le ventilateur est en cours d'utilisation, appuyez sur la touche  et maintenez-la enfoncée pendant deux secondes. Le ventilateur passe à la vitesse 1 et le compte à rebours de la minuterie de l'arrêt à retardement commence.
Les DEL  et   s'illuminent et clignotent lentement en fonction du temps qu'il reste avant l'arrêt automatique du ventilateur et des lumières.
- Appuyez sur la touche  lorsque la fonction d'arrêt à retardement est en cours d'utilisation pour éteindre la hotte et annuler la fonction d'arrêt à retardement.

Vérification de la ACT

- La technologie de contrôle du débit d'air permet à l'installateur d'ajuster la quantité maximale d'évacuation de pi^3/min du ventilateur afin de respecter les codes et règlements en vigueur.
 - Pour vérifier la quantité maximale d'évacuation de pi^3/min du ventilateur :
 - Lorsque la hotte est éteinte, appuyez sur la touche  et maintenez-la enfoncée pendant deux secondes. Si cinq icônes de ventilateur s'illuminent, le réglage est ajusté au maximum. Si quatre icônes s'illuminent, le maximum est de $390 \text{ pi}^3/\text{min}$. Si trois icônes s'illuminent, le maximum est de $290 \text{ pi}^3/\text{min}$.

2 TOUCHE DE CHOIX DE VITESSE

Touche de réduction de vitesse du ventilateur

- Appuyez sur cette touche pour réduire la vitesse du ventilateur. 5, 4, 3, 2, 1.
- Si le ventilateur est à la vitesse 1 et que vous appuyez sur cette touche, le ventilateur s'éteint.

Touche d'augmentation de vitesse du ventilateur

- Appuyez sur cette touche pour augmenter la vitesse du ventilateur. 1, 2, 3, 4, 5.
- Si le ventilateur est éteint et que vous appuyez sur cette touche, le ventilateur s'allume à la vitesse 1.

Choix de vitesse avec ACT activée

- Lorsque la ACT est activée, le nombre de vitesses du ventilateur est réduit comme suit :
 - $390 \text{ pi}^3/\text{min}$ = 4 vitesses maximum
 - $290 \text{ pi}^3/\text{min}$ = 3 vitesses maximum

Commandes tactiles ICÔNE

3 TOUCHE DE CONTRÔLE DES LUMIÈRES ⚙

- Il existe deux intensités: basse et haute.
- Lorsque les lumières sont éteintes, appuyez une fois pour les allumer à faible intensité. Appuyez à nouveau pour les mettre en hauteur. Appuyez à nouveau pour les désactiver.

4 AFFICHEUR

Rappel de nettoyage des filtres à tamis *(toujours activé)*

- Après 30 heures d'utilisation du ventilateur, l'icône ▼ commence à clignoter lentement, indiquant qu'il est temps de nettoyer les filtres à tamis.
- **Pour réinitialiser** : Lorsque la hotte est éteinte : tenez la touche ▼ enfoncée pendant trois secondes. Tous les indicateurs DEL clignotent deux fois, confirmant la réinitialisation de la minuterie de 30 heures.

Indicateur de remplacement des filtres à charbons *(désactivé par défaut, doit être activé lors de l'utilisation du mode de recirculation d'air)*

- Pour activer le rappel de remplacement des filtres à charbon :
 - Lorsque la hotte est éteinte, tenez les touches ▲ et ⚙ enfoncées simultanément pendant deux secondes. Tous les indicateurs DEL s'illuminent pendant trois secondes, confirmant l'activation du rappel de remplacement des filtres à charbon.
- Pour désactiver le rappel de remplacement des filtres à charbon :
 - Lorsque la hotte est éteinte, tenez les touches ▲ et ⚙ enfoncées simultanément pendant deux secondes. Tous les indicateurs DEL clignotent deux fois, confirmant la désactivation du rappel de remplacement des filtres à charbon.
- Après 120 heures d'utilisation du ventilateur, la touche ▲ clignote lentement, indiquant que les filtres à charbon doivent être remplacés.
- **Pour réinitialiser** : Lorsque la hotte est éteinte : tenez la touche ▲ enfoncée pendant deux secondes. Tous les indicateurs DEL clignotent deux fois, confirmant la réinitialisation de la minuterie de 120 heures.

Fonctionnalités et commandes


Bluetooth® Controls




Le haut-parleur stéréo utilise Bluetooth® version 4.1

1. BOUTON BLUETOOTH®


► Allumer et appairer l'appareil

Appuyez sur le bouton  pour allumer les haut-parleurs, indiqués par (4) bips d'un ton bas à haut. Et appuyez à nouveau sur le bouton pour faire retentir le processus d'appairage entre les haut-parleurs et l'appareil, indiqué par (4) bips neutres. Le nom de l'appareil est "Zephyr Bluetooth" et il commencera automatiquement à rechercher un appareil avec lequel se coupler. Un bloop sera joué avec une connexion réussie entre les haut-parleurs et l'appareil.

► Déconnecter l'appareil

Appuyez sur le bouton  lorsque les haut-parleurs sont déjà couplés avec un appareil pour les déconnecter. (1) un bip aigu sera émis en cas de déconnexion de l'appareil de l'utilisateur, et (4) des bips neutres et (1) un bip aigu seront émis en cas de déconnexion des haut-parleurs.

► Éteindre

Maintenez le bouton  enfoncé pour éteindre les haut-parleurs Bluetooth®. (4) des bips allant d'un ton aigu à un ton bas seront joués comme indicateur.

2. BOUTON LECTURE ET PAUSE

► Jouer

Appuyez sur le bouton  pour lire l'audio sur l'appareil jumelé.

► Pause

Appuyez sur le bouton  pour mettre en pause le son sur l'appareil jumelé.

3. BOUTON DIMINUER LE VOLUME

► Diminuer le volume

Appuyez sur le bouton  pour baisser le volume sur l'appareil couplé.

► Piste précédente

Maintenez la touche  enfoncée pour revenir à la piste précédente.

4. BOUTON D'AUGMENTATION DU VOLUME

► Augmenter le volume

Appuyez sur le bouton  pour augmenter le volume sur l'appareil couplé.



► Piste suivante

Maintenez la touche  enfoncée pour passer à la piste suivante.

REMARQUE : Le ventilateur de la hotte ou les lumières n'ont pas besoin d'être allumés pour que les haut-parleurs s'activent. De plus, les boutons de lecture et de pause, de diminution du volume et d'augmentation du volume sont toujours accessibles depuis l'appareil de l'utilisateur.


Connexion Bluetooth®

Comment connecter et jumeler les haut-parleurs stéréo Zephyr Bluetooth® pour la première fois:

1. Pour lire votre musique personnelle ou vos fichiers audio, un appareil compatible Bluetooth® est requis.
2. Réglez l'appareil sur un volume faible à moyen avant de le connecter aux haut-parleurs.
3. Assurez-vous que les haut-parleurs sont allumés en appuyant sur le bouton  et que l'appareil est à portée des haut-parleurs.
4. Associez votre appareil aux haut-parleurs:
 - Suivez les instructions fournies avec votre appareil pour accéder aux paramètres Bluetooth® et activer Bluetooth® (s'il n'a pas déjà été activé). Pour la plupart des appareils, l'utilisateur doit accéder à l'écran « Appareils jumelés » (ou similaire) et appuyer sur « Rechercher des appareils » (ou similaire) pour rechercher les haut-parleurs Bluetooth®.
 - Le nom de l'unité pour les haut-parleurs sera découvert comme "Zephyr Bluetooth" sous Périphériques disponibles, Périphériques détectables, ou similaire. Si les haut-parleurs n'ont pas été découverts, répétez le processus en éteignant et en rallumant les haut-parleurs.
5. Ouvrez votre musique personnelle ou vos fichiers audio sur votre appareil connecté et lisez la musique ou les fichiers audio de votre choix. Le son sera lu à partir des haut-parleurs Bluetooth®.
6. Lorsque vous avez fini de lire votre musique personnelle ou vos fichiers audio, déconnectez-vous des haut-parleurs en appuyant sur le bouton . (1) un bip aigu sera émis en cas de déconnexion de l'appareil de l'utilisateur, et (4) des bips neutres et (1) un bip aigu seront émis en cas de déconnexion des haut-parleurs.

Fonctionnalités et commandes

Comment se connecter aux haut-parleurs stéréo Zephyr Bluetooth® à chaque fois (après que la connexion initiale a été établie):

1. Les haut-parleurs ne peuvent lire les fichiers audio que d'un seul appareil connecté à la fois. Si un autre appareil devait se connecter aux haut-parleurs, l'appareil actuellement connecté doit d'abord se déconnecter (mais pas nécessairement dissocier) des haut-parleurs. La déconnexion fait référence à l'arrêt de la connexion entre les haut-parleurs et l'appareil. Le désappariement fait référence à l'oubli de sa connexion d'appariement, et en dissociant, l'utilisateur devrait à nouveau s'apparier aux haut-parleurs (reportez-vous aux instructions ci-dessus).
2. Si votre appareil a été déconnecté mais pas dissocié des haut-parleurs lors de son utilisation précédente, l'utilisateur peut accéder aux « Appareils jumelés » (ou similaire) sous les paramètres Bluetooth® et appuyer sur « Zephyr Bluetooth » pour se reconnecter aux haut-parleurs.
3. Ouvrez votre musique personnelle ou vos fichiers audio sur votre appareil connecté et lisez la musique ou les fichiers audio de votre choix. Le son sera lu à partir des haut-parleurs Bluetooth®.
4. Lorsque vous avez fini de lire votre musique personnelle ou vos fichiers audio, déconnectez-vous des haut-parleurs en appuyant sur le bouton . (1) un bip aigu sera émis en cas de déconnexion de l'appareil de l'utilisateur, et (4) des bips neutres et (1) un bip aigu seront émis en cas de déconnexion des haut-parleurs.

REMARQUE: Les haut-parleurs utilisent Bluetooth® version 4.1. La plupart des versions Bluetooth® sont rétrocompatibles, ce qui signifie que les anciennes versions peuvent toujours se connecter aux versions plus récentes ; cependant, certaines fonctionnalités mineures ne seront pas disponibles, telles que la synchronisation du volume entre les haut-parleurs et l'appareil.

Télécommande RF en option

Pour activer les capacités de télécommande RF, le kit d'accessoires de télécommande est requis. Le numéro de pièce du kit est RC-0002.

Attention FCC

Pour assurer la conformité continue, tout changement ou modification non expressément approuvé par la partie responsable de la conformité peut annuler le droit de l'utilisateur à utiliser cet équipement. (Exemple - utilisez uniquement des câbles d'interface blindés lors de la connexion à un ordinateur ou à un périphérique. Cet appareil est conforme à la partie 15 des règles FCC. Son fonctionnement est soumis aux deux conditions suivantes. (1) Cet appareil ne doit pas causer d'interférences nuisibles, et (2) Cet appareil doit accepter toute interférence reçue, y compris les interférences susceptibles de provoquer un fonctionnement indésirable.

Installation

Pour installer le kit d'accessoires de télécommande, veuillez suivre les étapes ci-dessous.

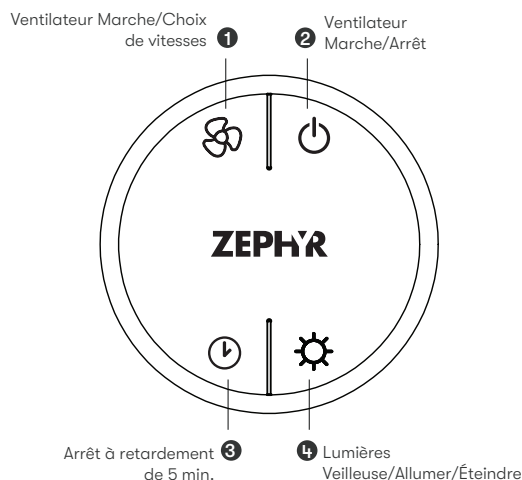
1. Localisez le boîtier de la carte à circuits imprimés sur le dessus du boîtier du ventilateur.
2. Retirez les 2 à 4 vis fixant le couvercle de la carte de circuits imprimés.
3. Connectez le câblage rouge de la carte de contrôle à distance au connecteur rouge de la carte de circuits imprimés de la hotte.
4. Collez la carte de contrôle à distance près du boîtier de la carte PC.
5. Le fil d'antenne bleu doit être rallongé pour un signal optimal. Il n'est pas nécessaire de le sécuriser.

Synchronisation

Pour créer un lien unique entre votre hotte et la télécommande, veuillez suivre ces étapes.

1. Lorsque la hotte est éteinte, appuyez sur le bouton Lumières de la hotte et maintenez-le enfoncé jusqu'à ce que les commandes s'allument et clignotent.
2. Appuyez sur un bouton de la télécommande et la télécommande sera synchronisée avec la hotte.


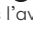
Fonctions de la télécommande RF




1 Ventilateur Allumer/Choix de vitesses

Appuyez sur  pour allumer le ventilateur et faire défiler toutes les vitesses.

2 Ventilateur Marche/Arrêt

Appuyez sur  pour allumer le ventilateur à la vitesse à laquelle il fonctionnait lorsque vous l'avez éteint. Appuyez de nouveau sur  et toutes les fonctions de l'appareil s'éteignent, y compris les lumières.

3 Arrêt à retardement

En appuyant sur , le ventilateur et les lumières passeront en mode d'arrêt automatique. Le ventilateur passera à la vitesse 1 et un compte à rebours de 5 minutes commencera.

4 Lumières Veilleuse/Allumer/Éteindre

Basculez entre les niveaux d'éclairage en appuyant sur . Éteignez les lumières en parcourant les différents niveaux d'éclairage.

Fonctionnalités et commandes

Télécommande RF en option

Caractéristiques de la télécommande RF

La télécommande RF est équipée d'un aimant à l'arrière pour un rangement facile. La télécommande peut être placée sur n'importe quelle surface magnétique telle qu'un réfrigérateur ou le support de télécommande Zephyr, FIG. E. Le support à distance peut être inséré dans une prise électrique standard pour un rangement facile. Remarque: le support de télécommande ne charge pas la télécommande RF.

La distance de communication maximale de la télécommande est de 15 pieds de la doublure.

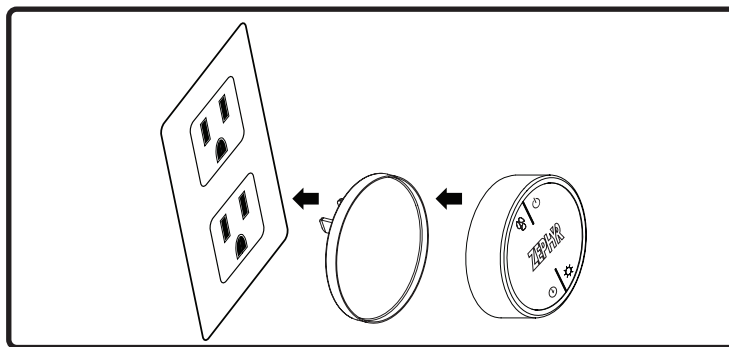


FIG. E

Maintenance à distance RF

Nettoyez la télécommande avec des détergents non abrasifs.

Suivez les instructions ci-dessous pour remplacer la batterie. À l'aide d'un petit tournevis à tête plate, soulevez le couvercle du logement des piles (A) pour accéder au compartiment des piles. FIG. F.

Retirez la batterie et remplacez-la par une batterie de type A23 12V. L'extrémité négative de la pile doit faire face au ressort à l'intérieur de la télécommande.

Réinstallez le couvercle de la batterie et recyclez l'ancienne batterie.

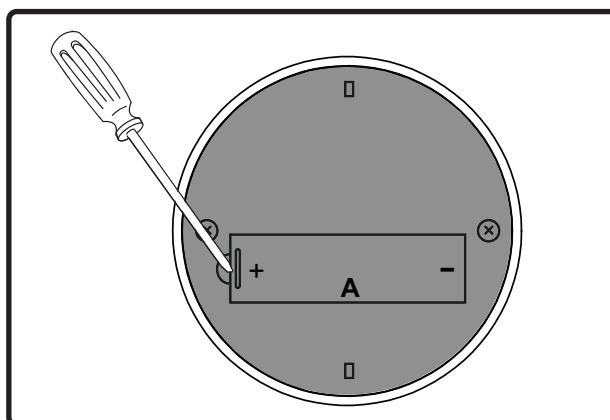


FIG. F

Nettoyage de la hotte et du filtre à graisse

Entretien de surface

- ▶ N'utilisez pas de détergents corrosifs, de détergents abrasifs ou de nettoyeurs pour four.
- ▶ N'utilisez aucun produit contenant un agent de blanchiment chloré ou un produit contenant du chlorure.
- ▶ N'utilisez pas de laine d'acier ou de tampons à récurer abrasifs qui pourraient rayer et endommager la surface.

Nettoyage de l'acier inoxydable

Nettoyez périodiquement avec de l'eau chaude savonneuse et un chiffon en coton propre ou un chiffon en microfibres. Frottez toujours dans le sens du grain de l'acier inoxydable. Pour éliminer les accumulations de graisse plus lourdes, utilisez un détergent dégraissant liquide.

Après le nettoyage, utilisez un produit de polissage / nettoyant pour acier inoxydable non abrasif pour polir et polir le lustre et le grain de l'acier inoxydable. Frottez toujours légèrement avec un chiffon en coton propre ou en microfibres et polissez dans le sens du grain de l'acier inoxydable.

Nettoyage des filtres à graisse

Les filtres à graisse installés par l'usine sont destinés à filtrer les résidus et les graisses de cuisson. Ils n'ont pas besoin d'être remplacés régulièrement mais doivent être maintenus propres.

Retirer et nettoyer à la main ou au lave-vaisselle avec un détergent sans phosphate. Une décoloration du filtre peut se produire si vous utilisez des détergents phosphatés ou en raison des conditions locales de l'eau - mais cela n'affectera pas les performances du filtre. Cette décoloration n'est pas couverte par la garantie. Vaporiser un détergent dégraissant et laisser tremper s'il est très sale. Séchez les filtres et réinstallez-les avant d'utiliser la hotte.

Entretien

Retrait des filtres à graisse (FIG. G):

1. Tirez sur le loquet du filtre pour libérer les languettes du filtre.
2. Tirez sur le devant du filtre pour retirer les filtres à graisse.

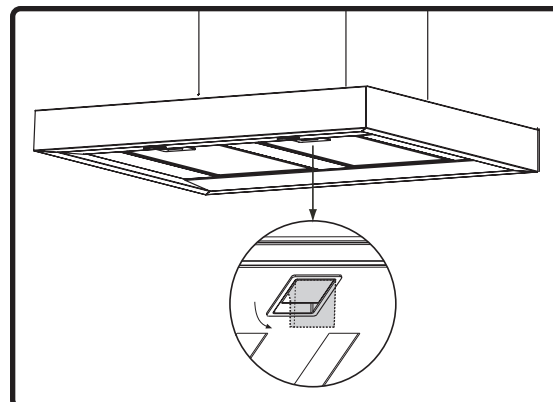


FIG. G

LumiLight LED

Dans le cas peu probable où votre LED LumiLight tomberait en panne, veuillez contacter Zephyr pour commander des pièces de rechange.

Voir la page de la liste des pièces et accessoires pour les numéros de pièces et les coordonnées.

Retrait de la LED (FIG. H):

1. Retirer les filtres à graisse.
2. Retirez les panneaux latéraux (le cas échéant) et retirez le panneau lumineux.
3. Débranchez le connecteur rapide de la lumière LED.
4. Poussez les deux clips latéraux sur les extrémités de la lumière LED.
5. Poussez la lumière LED à travers l'ouverture du panneau lumineux.

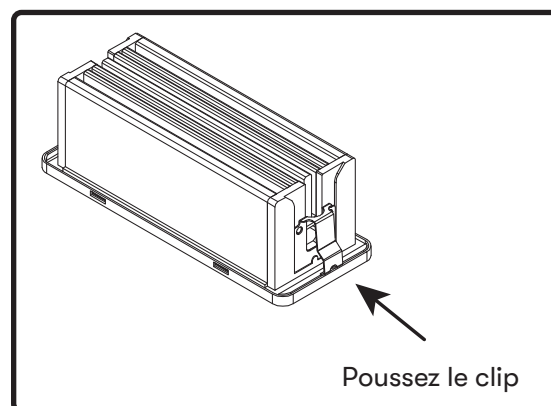


FIG. H

Technologie de contrôle du flux d'air (ACT™)

Certains codes locaux limitent la quantité maximale de CFM qu'une hotte de cuisine peut déplacer. ACT™ vous permet de contrôler le CFM maximum du ventilateur de certaines hottes de cuisinière Zephyr Ventilation sans avoir besoin de trousse d'air d'appoint coûteuses. ACT™ permet à l'installateur de régler facilement la vitesse maximale du ventilateur sur l'un des deux niveaux CFM les plus couramment spécifiés ; 390 ou 290 PCM. L'utilisation d'ACT™ peut ne pas être nécessaire pour votre installation. Veuillez vérifier vos codes locaux pour les restrictions CFM.



AVERTISSEMENT



La hotte doit être débranchée de l'alimentation principale avant d'effectuer les instructions de conversion indiquées ci-dessous. Le non-respect de cette consigne peut entraîner des blessures corporelles ou endommager le produit.



AVERTISSEMENT



Après avoir repositionné le cavalier et mis la hotte sous tension, le CFM ne peut plus être modifié.

Activer ACT™

Pour activer ACT™ :

1. Avant l'installation de la hotte, accédez au tableau de circuits imprimés en suivant les étapes indiquées sur la FIG. H.
2. Modifiez la position du cavalier en plastique comme indiqué sur la FIG. I pour régler le CFM maximum désiré du ventilateur.
3. Réinstallez la carte de circuit imprimé et continuez l'installation de la hotte.
4. Retirez l'autocollant CFM en aluminium approprié inclus avec la documentation de la hotte et placez-le à l'intérieur du corps de la hotte sous le schéma de câblage ou à un autre endroit clairement visible.

Pour vérifier si votre installateur a activé ACT™ :

1. Avec le capot éteint, maintenez le bouton d'alimentation enfoncé pendant trois secondes. Si 5 LED s'allument = défaut max. Si 4 LED s'allument = max. 390 CFM, et si 3 LED s'allument = max. 290 PCM.
2. Lorsque ACT™ est activé, le nombre de vitesses du ventilateur sera réduit. 390 PCM = max. 4 vitesses et 290 CFM = max. 3 vitesses.
3. Il devrait également y avoir une étiquette en aluminium située à l'intérieur du corps de la hotte près du schéma de câblage indiquant le CFM du ventilateur.

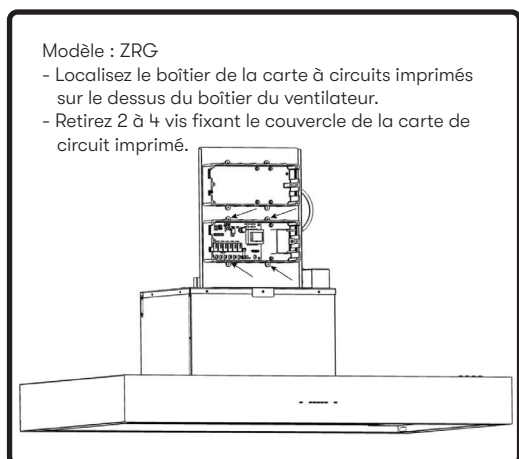


FIG. I

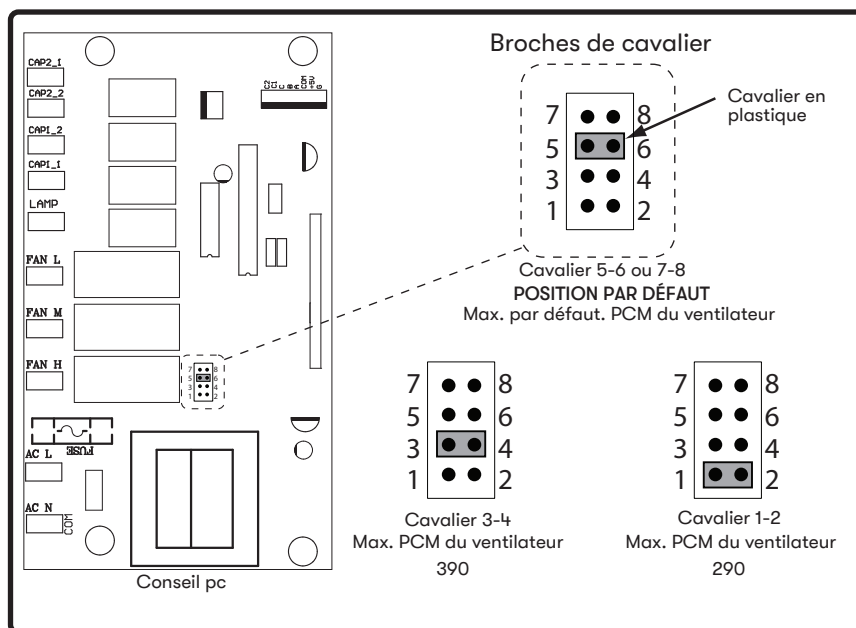
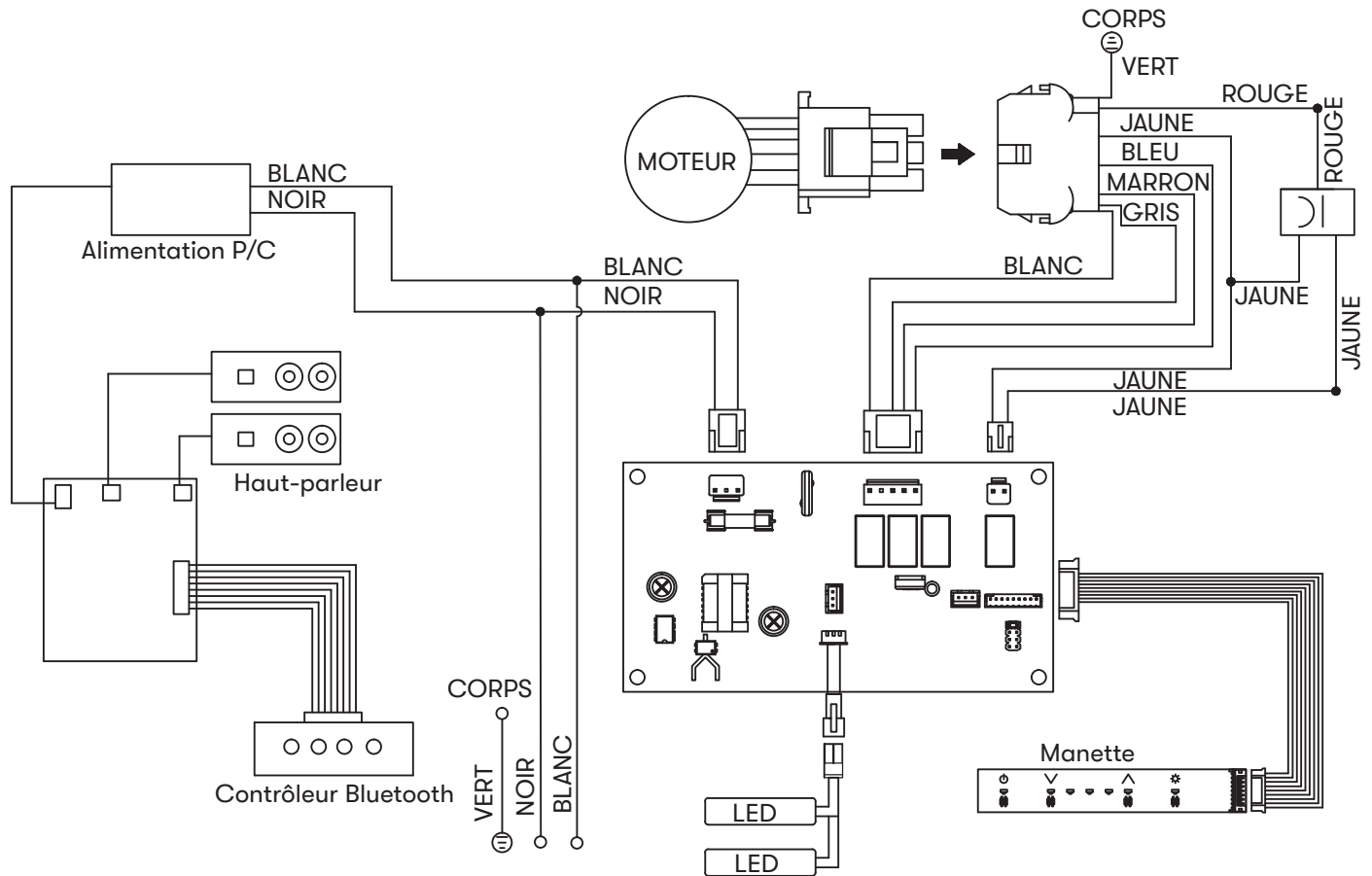


FIG. J

ZRG Schéma	Volts	Hz	Max Amps
	120	60	4



REMARQUES : CONDENSEUR 12,5 + 12,5 uF 250VAC FIT AC120V 60Hz

Dépannage

Problème possible	Cause possible	Solutions
Après l'installation, l'appareil ne fonctionne pas.	La source d'alimentation n'est pas allumée.	Assurez-vous que le disjoncteur et l'alimentation de l'unité sont sur ON.
	La ligne d'alimentation et le connecteur de verrouillage du câble ne se connectent pas correctement.	Vérifiez que la connexion d'alimentation avec l'unité est correctement connectée.
	Les câblages du tableau de commande ou du tableau de commande sont déconnectés.	Assurez-vous que les câblages du tableau de commande et du tableau de commande sont correctement connectés.
	Le tableau de commande ou le tableau de commande est défectueux.	Changer le tableau de distribution ou le tableau de commande.
La lumière fonctionne, mais le ventilateur ne tourne pas.	Le câble du ventilateur est débranché.	Connectez le câble du ventilateur.
	Débris ou obstruction dans le moteur.	Retirez les débris ou l'obstruction.
	Moteur défectueux ou éventuellement grippé.	Changer le ventilateur.
	Condensateur endommagé.	Changez le condensateur.
	Le tableau de commande ou le tableau de commande est défectueux.	Changer la pièce défectueuse.
L'appareil vibre.	Le ventilateur n'est pas fixé en place.	Serrez le ventilateur en place.
	Roue de soufflante endommagée.	Remplacez le ventilateur.
	La hotte n'est pas fixée en place.	Vérifier l'installation de la hotte.
Le ventilateur fonctionne, mais les lumières ne fonctionnent pas.	Le connecteur LumiLight LED est débranché.	Branchez le connecteur LumiLight LED.
	LED LumiLight défectueuse.	Changez la LED LumiLight.
	Le tableau de commande ou le tableau de commande est défectueux.	Changer le tableau de distribution ou le tableau de commande.
L'appareil s'allume tout seul.	Un spot ou une lampe de cuisine éclaire directement les commandes de l'interrupteur.	Les commandes de l'interrupteur sont sensibles à la lumière. Une source de lumière directe sur les commandes de l'interrupteur peut perturber les fonctions de l'interrupteur.

Problème possible	Cause possible	Solutions
La hotte ne s'évacue pas correctement.	Utiliser la mauvaise taille de conduit.	Changez le conduit à au moins 6 po rond ou plus.
	Utiliser le mauvais type de conduit. Les conduits flexibles peuvent réduire le débit d'air jusqu'à 50 %.	Remplacez les conduits par des conduits métalliques rigides solides.
	La hotte est peut-être suspendue trop haut à la surface de cuisson.	Ajustez la distance entre la surface de cuisson et le bas de la hotte entre 24 po et 36 po.
	Le vent des fenêtres ouvertes ou des portes ouvertes dans la zone environnante affecte la ventilation de la hotte.	Fermez toutes les fenêtres et portes pour éliminer le vent extérieur.
	Blocage dans l'ouverture du conduit ou les conduits.	Retirez tout le blocage des conduits ou de l'ouverture des conduits.
Les haut-parleurs de la hotte ne seront pas couplés avec l'appareil de l'utilisateur.	Le Bluetooth® de l'enceinte ne s'apparie activement avec aucun appareil.	Appuyez sur le bouton Bluetooth® pour signaler le processus d'appairage.
	Le Bluetooth® de l'enceinte a cessé de s'associer aux appareils, signalé par une indication sonore.	Maintenez le bouton Bluetooth® enfoncé pendant quelques secondes pour éteindre l'appareil. Relancez le processus d'appairage en appuyant sur le bouton Bluetooth®.
	Des appareils concurrents tentent de se coupler avec les haut-parleurs.	Un seul appareil peut se connecter à Zephyr Bluetooth à la fois. Sur les appareils non actifs, désactivez Bluetooth® ou déconnectez-vous de Zephyr Bluetooth.
	Le Bluetooth® de l'enceinte est déjà jumelé à un autre appareil.	Déconnectez Zephyr Bluetooth sur l'appareil ou en appuyant sur le bouton Bluetooth® de la hotte.
L'appareil de l'utilisateur ne sera pas jumelé avec les haut-parleurs du capot.	L'appareil de l'utilisateur n'a pas Bluetooth® activé.	Activez Bluetooth® sur l'appareil de l'utilisateur.
	L'appareil de l'utilisateur peut être hors de portée.	Assurez-vous que votre appareil se trouve à moins de 30 pieds de la hotte et qu'il n'est pas obstrué.
	L'appareil de l'utilisateur est déjà associé à un autre appareil.	Déconnectez l'autre appareil Bluetooth® de l'appareil de l'utilisateur.
	Plusieurs erreurs empêchent l'appareil de l'utilisateur de se coupler avec le Bluetooth® de l'enceinte.	Redémarrez l'appareil de l'utilisateur.

Dépannage

Problème possible	Cause possible	Solutions
L'appareil de l'utilisateur est jumelé avec les haut-parleurs du capot, mais ne se connecte pas aux haut-parleurs.	Une erreur s'est produite lors du processus de jumelage.	Oubliez (supprimez) le Bluetooth® de l'enceinte de l'appareil de l'utilisateur et réessayez le processus d'appairage.
	L'appareil de l'utilisateur peut être hors de portée.	Assurez-vous que votre appareil se trouve à moins de 30 pieds de la hotte et qu'il n'est pas obstrué.
	Plusieurs erreurs empêchent l'appareil de l'utilisateur d'appairer le Bluetooth® de l'enceinte.	Redémarrez l'appareil de l'utilisateur.
Les haut-parleurs du capot et l'appareil de l'utilisateur sont couplés et connectés, mais il n'y a pas de son.	Le volume est trop faible.	Augmentez le volume des haut-parleurs ou de l'appareil de l'utilisateur.
	Le son est coupé.	Activez le volume et augmentez-le à un niveau modéré.
	Le son sur l'appareil de l'utilisateur n'est pas défini comme appareil de lecture par défaut.	Définissez Zephyr Bluetooth comme périphérique de lecture par défaut.
Le volume maximal diffusé par les haut-parleurs est trop faible.	Si votre appareil utilise une version de Bluetooth® antérieure à la version 4.1, le volume peut ne pas se synchroniser correctement avec la hotte.	Essayez d'augmenter le volume en appuyant sur le bouton d'augmentation du volume sur le capot.
Je ne peux pas entendre mes appels téléphoniques à travers les haut-parleurs du capot	La hotte n'est pas compatible en tant qu'appareil mains libres car il n'y a pas de microphone dans la hotte, elle ne jouera que de l'audio.	Continuez à utiliser votre téléphone pour les appels.

La description	Numéro d'article
Pièces de rechange	
Filtre à charbon de rechange	Z0F-C005
LumiLight LED, 6W	Z0B0048
Filtre à chicane	50210034
Accessoires optionnels	
Kit de recirculation	ZRC-00RG
Rallonge de couvercle de conduit	Z1C-00RO
Kit d'air d'appoint	MUA006A
Trousse de télécommande	RC-0002
Télécommande RF (télécommande avec pile uniquement)	14000005

Pour commander des pièces, visitez-nous en ligne à <http://store.zephyronline.com>.

Remarques

CORE

ROMA GROOVE

MUR

POUR OBTENIR UN SERVICE SOUS GARANTIE OU POUR TOUTES QUESTIONS LIÉES AU SERVICE

Les clients des États-Unis doivent appeler le: 1-888-880-8368 ou nous contacter à: zephyronline.com/contact

Clients du Canada, veuillez appeler: 1-800-361-0799 ou par courriel: service@distinctive-online.com

Zephyr Ventilation, LLC (désigné aux présentes sous le nom de « nous ») garantit au premier acheteur (désigné aux présentes sous le nom de « vous » ou « votre ») de produits Zephyr (les « Produits ») que lesdits produits sont exempts de défauts de fabrication ou de main-d'œuvre selon les conditions suivantes :

Garantie de trois ans sur les pièces : Garantie de trois ans à partir de la date d'achat originale du Produit. Nous fournirons sans frais les Produits ou les pièces (y compris les ampoules LED, le cas échéant) de remplacement qui comportaient des défauts de fabrication. Nous pourrions choisir, à notre seule discrétion, de réparer ou de remplacer des pièces avant de prendre la décision de remplacer le Produit.

Garantie limitée d'un an sur la main-d'œuvre : Garantie d'un an à partir de la date d'achat originale du Produit. Nous couvrirons sans frais les frais de main-d'œuvre afférents à la réparation du Produit ou des pièces de remplacement qui comportaient des défauts de fabrication. Un an après la date d'achat originale, vous serez responsable de tous les frais de main-d'œuvre associés à la présente garantie.

Exclusions de la garantie : Cette garantie ne couvre que la réparation ou le remplacement, à notre gré, de pièces ou de Produits défectueux et ne couvre aucun autre coût afférent aux Produits, dont, sans s'y limiter, les frais liés : (a) à l'entretien normal des Produits et au remplacement des pièces consommables, comme les fluorescent, incandescence ou halogèneampoules, les filtres métalliques, les filtres à charbon et les fusibles; (b) à tout Produit ou pièce ayant été endommagé durant le transport ou étant le résultat d'un mauvais usage, d'une négligence, d'un accident, d'une installation incorrecte ou ne respectant pas les notices d'installation recommandées, d'un entretien ou d'une réparation inapproprié (dont ne nous sommes pas responsables); (c) à une utilisation commerciale ou ne correspondant pas à l'utilisation pour laquelle les Produits sont conçus; (d) à l'usure naturelle du fini, à l'usure due à un entretien inadéquat, à l'utilisation de produits nettoyants corrosifs ou abrasifs, de tampons nettoyeurs et de produits de nettoyage pour le four; (e) aux éclats, entailles ou fissures résultant d'un abus ou d'une mauvaise utilisation du Produit; (f) aux déplacements d'un technicien de service à votre domicile pour vous montrer comment utiliser les Produits; (g) aux dommages causés par un accident, un incendie, une inondation, un cas fortuit; ou (h) Les installations personnalisées ou modifications qui ont un impact sur la maintenabilité du Produit. Si vous vous trouvez à l'extérieur du territoire que nous desservons, des frais supplémentaires pourraient s'appliquer pour la livraison des produits à nos points de service désignés pour une réparation sous garantie ou vous pourriez avoir à déboursier les frais de déplacement du technicien à votre domicile pour que le Produit soit réparé, enlevé ou réinstallé. Un an après la date d'achat originale du Produit, vous êtes également responsable de tous les frais de main-d'œuvre associés à la présente garantie.

Restrictions de la garantie. NOTRE OBLIGATION DE RÉPARER OU DE REMPLACER, À NOTRE GRÉ, LE PRODUIT CONSTITUE VOTRE SEUL ET UNIQUE RECOURS SOUS LA PRÉSENTE GARANTIE. NOUS NE NOUS PORTONS PAS RESPONSABLES POUR TOUT DOMMAGE INDIRECT, ACCESSOIRE OU PARTICULIER RÉSULTANT OU AYANT UN LIEN AVEC L'UTILISATION OU LE RENDEMENT DES PRODUITS. LES GARANTIES EXPRESSES DE LA SECTION PRÉCÉDENTE SONT EXCLUSIVES ET TIENNENT LIEU DE TOUTE AUTRE GARANTIE EXPRESSE. PAR LES PRÉSENTES, NOUS REJETONS ET EXCLUONS TOUTE AUTRE GARANTIE EXPRESSE POUR LES PRODUITS ET TOUTES LES GARANTIES TACITES PRÉVUES PAR LA LOI, DONT CELLES RELATIVES À LA QUALITÉ MARCHANDE OU À L'ADÉQUATION DU PRODUIT POUR UNE UTILISATION PARTICULIÈRE. Certains États ou provinces n'autorisent pas les restrictions sur la durée d'une garantie implicite ou l'exclusion ou la restriction des dommages indirects ou accessoires; par conséquent, les exclusions et restrictions mentionnées ci-dessus pourraient ne pas s'appliquer à votre cas. Dans la mesure où une loi applicable interdit l'exclusion de garanties implicites, la durée de toute garantie implicite applicable se limite à la période de deux ans décrite ci-dessus. L'unique objectif de toute description orale ou écrite est de présenter les Produits et celle-ci ne devrait pas être interprétée comme une garantie expresse. Avant d'utiliser ou de permettre l'utilisation des Produits, vous devrez déterminer si les Produits conviennent aux utilisations prévues et vous devrez assumer tout risque et toute responsabilité relatifs à ces utilisations. Nous nous réservons le droit d'utiliser des pièces reconstruites ou remises à neuf pour remplacer l'une des fonctionnalités dans le cadre de la présente garantie ou de l'une des parties de la présente garantie. L'acheteur original ne peut transférer la présente garantie et celle-ci n'est valide qu'aux États-Unis et au Canada.

Pour obtenir du service sous la garantie : Pour avoir droit à du service sous garantie, vous devez : (a) nous avertir en utilisant l'adresse ou le numéro de téléphone inscrit ci-dessous dans les soixante jours suivant la détection du défaut; (b) donner le numéro du modèle, le numéro d'identification de la pièce ainsi que le numéro de série; et (c) décrire la nature de tout défaut de la pièce ou du Produit. Au moment de faire la demande de service sous garantie, vous devrez présenter votre preuve d'achat et la preuve de la date d'achat originale. Si nous déterminons que les exclusions de la garantie énumérées ci-dessus s'appliquent ou si vous vous trouvez dans l'incapacité de nous fournir la documentation nécessaire pour obtenir du service, vous serez responsable de tous les frais d'expédition, de déplacement, de main-d'œuvre ou de tout autre coût afférent au service.

Veuillez consulter notre site Web au www.zephyronline.com pour savoir si des révisions ont été apportées à la garantie.

Zephyr, 2277 Harbor Bay Parkway, Alameda, CA 94502

Enregistrement du produit

Nous vous félicitons d'avoir acheté un produit Zephyr. Veuillez prendre un moment pour enregistrer votre nouvelle produit au www.zephyronline.com/registration

C'EST IMPORTANT

Cet enregistrement rapide est utile à bien des égards.

- Il assure la couverture de votre garantie si vous avez besoin de service après-vente.
- À des fins d'assurance, il permet de confirmer que vous êtes le propriétaire.
- Il vous permet de recevoir des avis concernant des modifications ou des rappels de produits.



Zephyr Ventilation | 2277 Harbor Bay Pkwy. | Alameda, CA 94502 | 1.888.880.8368