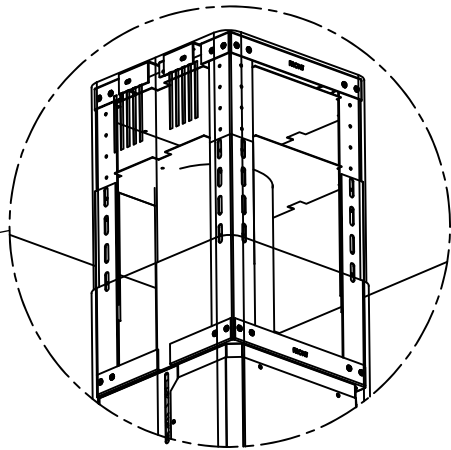
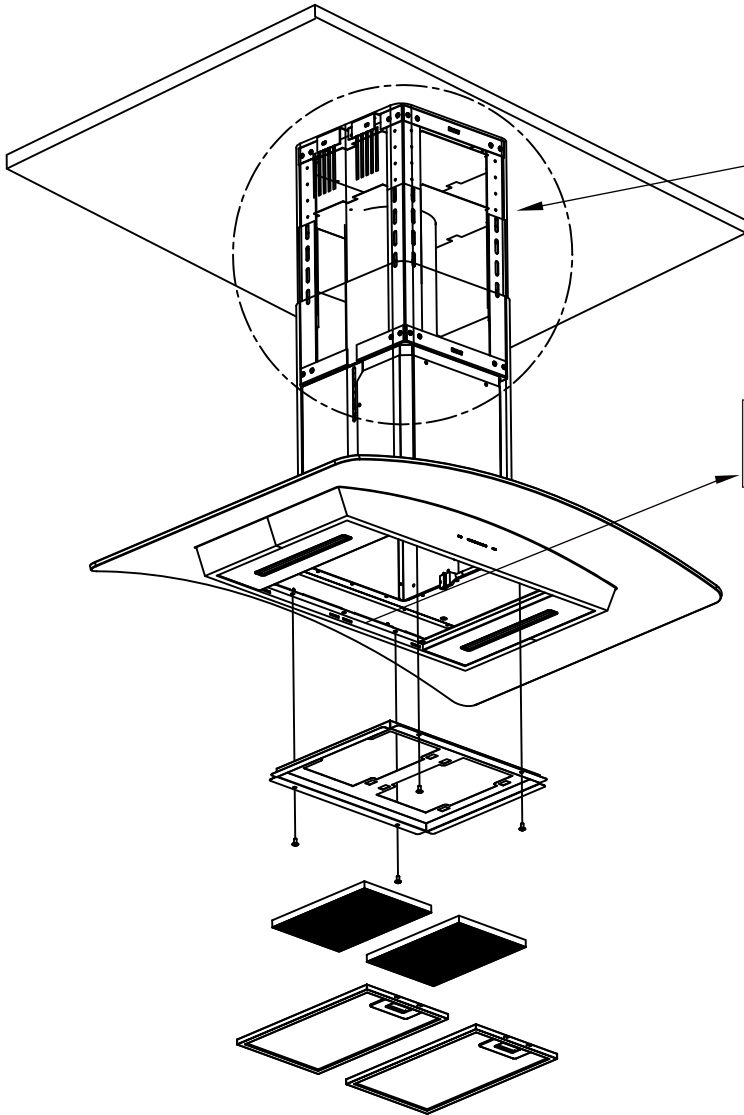


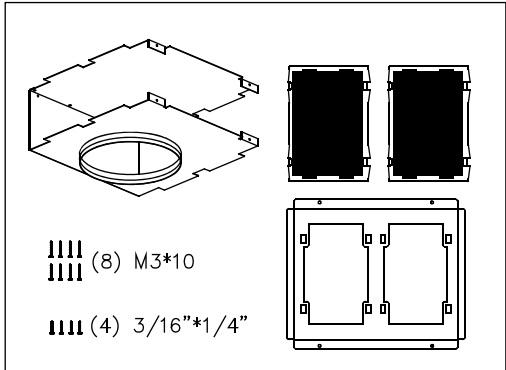
ZRC-00RE

For use with : ZRE-M90ABSGG, ZRE-E42ABSGG,
ZRE-M90BBSGG, ZRE-E42BBSGG

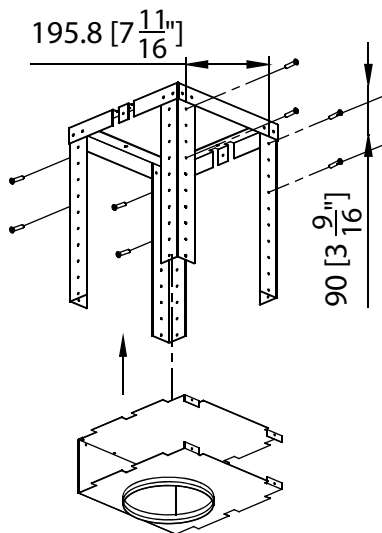


Remove all black foam from filter opening before installing the charcoal filter brackets.

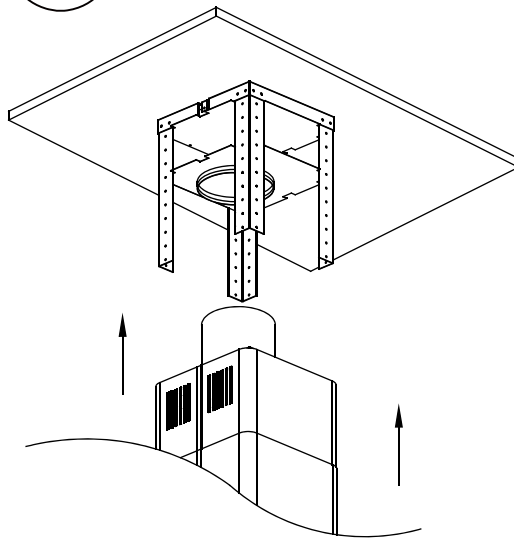
LIST OF MATERIALS



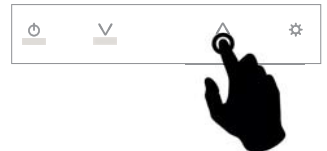
1



2



3



Follow instructions in hood manual to enable the "replace charcoal filter" indicator on the hood controls.