

PISA under-cabinet

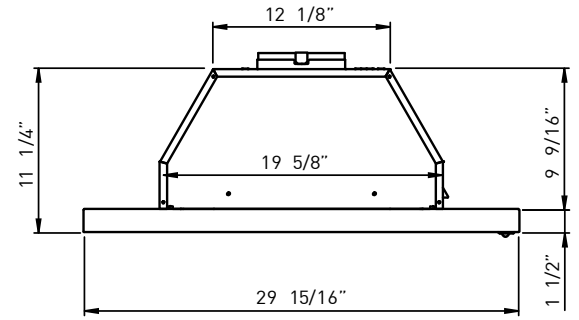
Tucked neatly out of sight within your cabinetry, Pisa is a minimal alternative to your typical under-cabinet range hood. Powered by the strength of its 290-CFM blower, Pisa's low-profile body delivers stunning design and quality performance. Its retractable visor helps in the capture of air and puts control at your fingertips. Pisa is perfect for kitchens that require a more discreet look.

MODEL	SIZE	INTERNAL BLOWER	
		<i>Min.-Max. CFM</i>	<i>Min.-Max. Sones</i>
ZPI-E30AG290	30"	180 - 290	1.3 - 3.2

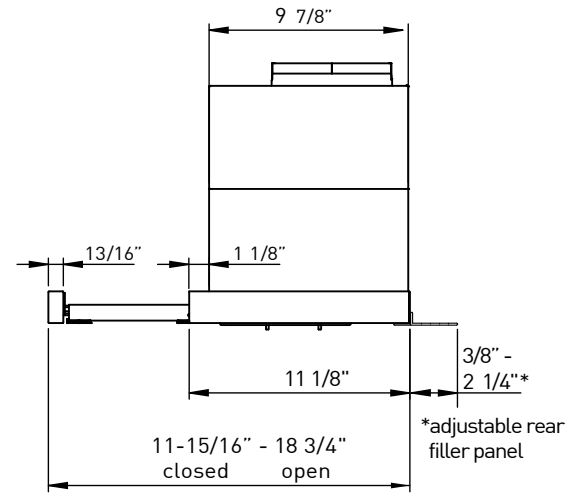


PISA UNDER-CABINET | EUROPA

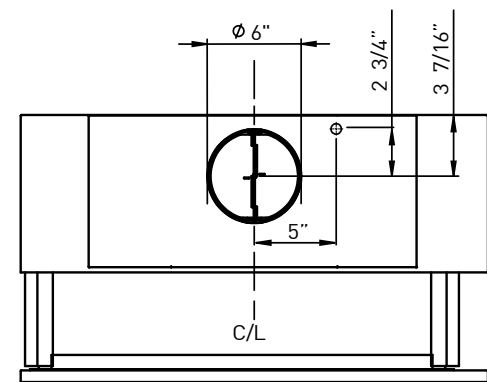
SIZE	30"
ZPI-E30AG290	
PERFORMANCE	
INTERNAL, MIN.-MAX. BLOWER CFM	180 - 290
INTERNAL, MIN.-MAX. SONES	1.3 - 3.2
COLOR	
STAINLESS STEEL	SS + Glass
FEATURES	
CONTROLS	Mechanical Slide
SPEED LEVELS	3
LIGHTING	Halogen x 2
DUAL LEVEL LIGHTING	Yes
FILTER	Aluminum Mesh
RECIRCULATING OPTION	Yes
DUCT SPECIFICATIONS	
VERTICAL - INTERNAL	6" Round
HORIZONTAL - INTERNAL	6" Round
AC POWER	120V, 60Hz at Max. 1.55A
OPTIONAL ACCESSORIES	
RECIRCULATING KIT	ZRC-00PI
OPTIONAL ACCESSORIES	3 Years Parts, 1 Year Labor
MOUNTING HEIGHT*	24" - 32"



FRONT

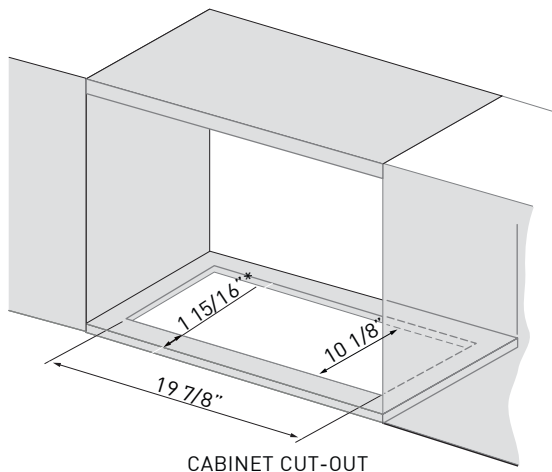


SIDE



TOP

*Mounting height refers to distance between top of cooking surface and bottom of hood.



CABINET CUT-OUT

*Measured from front of doors in a frameless cabinet or front of cabinet bottom in a framed cabinet.

