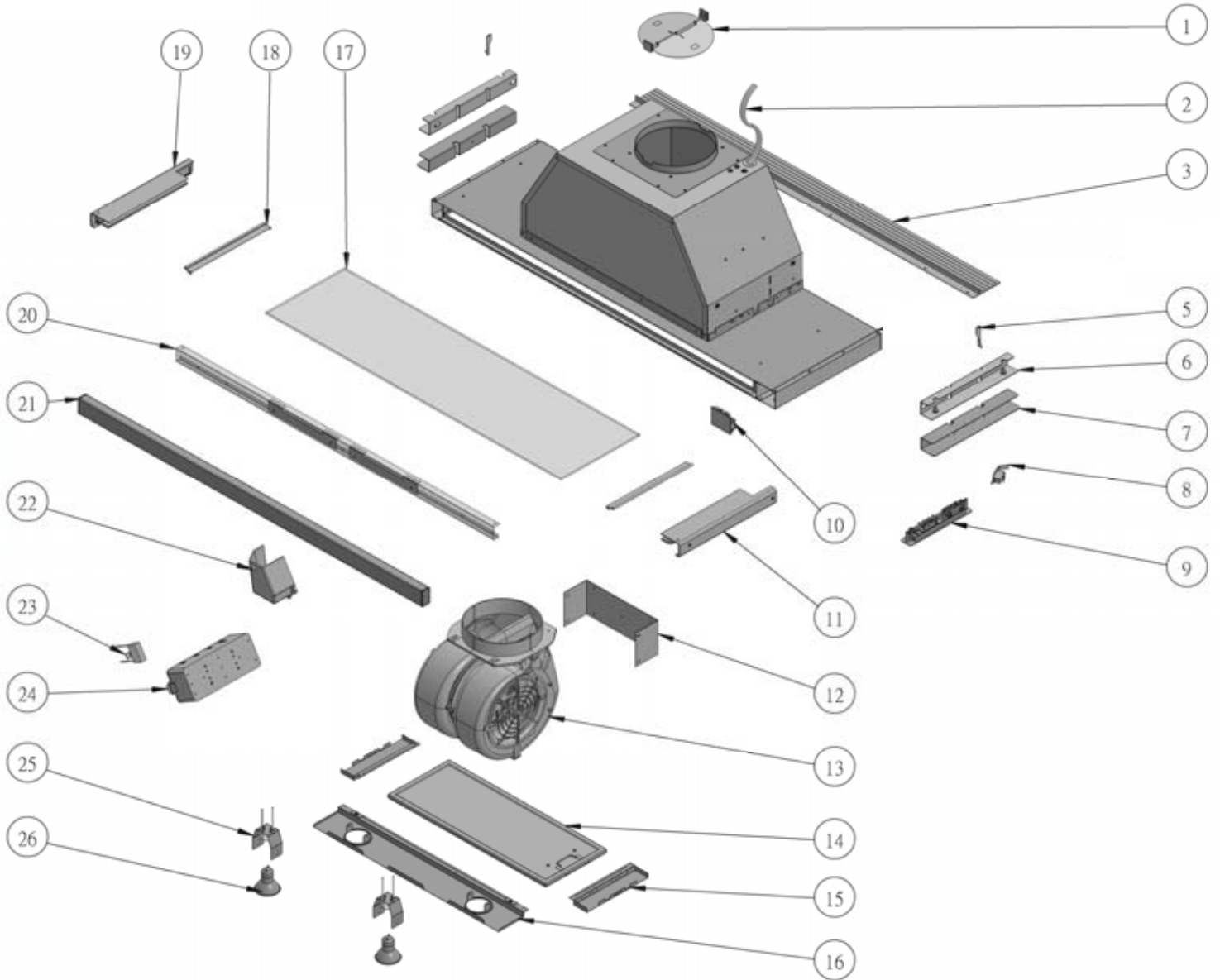


ZPI-E24AG
ZPI-E24AG290
ZPI-E24AW
ZPI-E24AW290

ZPI-E30AG
ZPI-E30AG290
ZPI-E30AW
ZPI-E30AW290
ZPI-E36AG
ZPI-E36AG290



| Ref # | Part # | Description | Qty. |
|-------|----------|---------------------------------|------|
| 1 | 54060007 | Damper, 6" Round | 1 |
| 2 | 11030028 | Wires, Electrical | 1 |
| 3 | 50120155 | Spacer Panel (24") | 1 |
| 3 | 50120090 | Spacer Panel (30") | 1 |
| 3 | 50120095 | Spacer Panel (36") | 1 |
| 5 | 54150007 | Spring Clip, Mounting | 2 |
| 6 | 54140083 | Mounting Bracket, Upper (24") | 2 |
| 7 | 54140171 | Mounting Bracket, Lower (24") | 2 |
| 8 | 11040028 | Safety On/Off Switch | 1 |
| 9 | 11000088 | Switch Assembly | 1 |
| 10 | 52170062 | Switch Cover (SS) | 1 |
| 10 | 52170077 | Switch Cover (White) | 1 |
| 11 | 54110093 | Canopy Mount & Slider, Right | 1 |
| 12 | 54140065 | Bracket, Motor | 1 |
| 13 | 12120053 | Motor, 290 CFM | 1 |
| 13 | 12120043 | Motor, 500 CFM | 1 |
| 14 | 50200054 | Filter, Aluminum Mesh | 1 |
| 15 | 50120096 | Panel, Side (24", 36") | 2 |
| 16 | 50110170 | Panel, Light (24", 36") | 1 |
| 17 | 50300134 | Canopy, Glass (24") | 1 |
| 17 | 50300114 | Canopy, Glass (30") | 1 |
| 17 | 50300131 | Canopy, Glass (36") | 1 |
| 18 | 54190043 | Plate, Canopy | 2 |
| 19 | 54110094 | Canopy Mount & Slider, Left | 1 |
| 20 | 54140240 | Bracket, Front (24") | 1 |
| 20 | 54140172 | Bracket, Front (30") | 1 |
| 20 | 54140200 | Bracket, Front (36") | 1 |
| 21 | 50140139 | Face Plate, Canopy (SS, 24") | 1 |
| 21 | 50140140 | Face Plate, Canopy (White, 24") | 1 |
| 21 | 50140119 | Face Plate, Canopy (SS, 30") | 1 |
| 21 | 50140136 | Face Plate, Canopy (White, 30") | 1 |
| 21 | 50140129 | Face Plate, Canopy (SS, 36") | 1 |
| 21-1 | 56140014 | Cap, Face Plate (SS) | 2 |

| | | | |
|------|----------|----------------------------|---|
| 21-1 | 56140017 | Cap, Face Plate (White) | 2 |
| 22 | 54200012 | Electrical Box | 1 |
| 23 | 12050012 | Capacitor, 290 CFM | 1 |
| 23 | 12050026 | Capacitor, 500 CFM | 1 |
| 24 | 50500086 | Junction Box | 1 |
| 25 | 50500140 | Light Socket Assembly | 2 |
| 26 | Z0B-0020 | Bulb, Halogen, GU-10, 50W | 2 |
| 27 | 05000099 | Hardware Packet (24") | 1 |
| 27 | 05000115 | Hardware Packet (30", 36") | 1 |
| 27-1 | 01650001 | Screw, 3/16 x 3/8 | 4 |
| 27-2 | 01070007 | Screw, M4 x 16mm | 4 |
| 27-3 | 01090001 | Screw, M6 x 1" | 2 |
| 27-4 | 15000002 | Wire Cap | 3 |
| 27-5 | 01650004 | Screw, 3/16 x 40mm | 4 |
| 27-6 | 01060013 | Screw, M3.5 x 10mm | 5 |
| 27-7 | 01070002 | Screw, M4 x 8mm | 2 |
| 27-8 | 15000004 | Suction Cup | 1 |

MAY18.0601