

# NAPOLI island

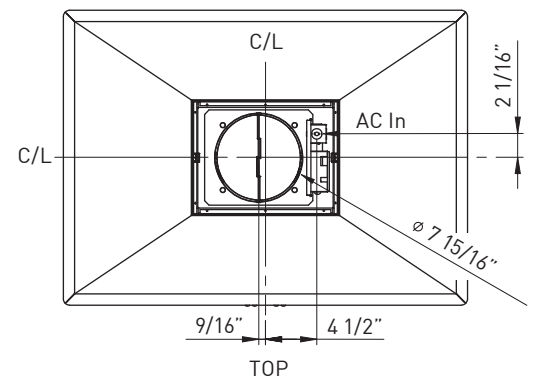
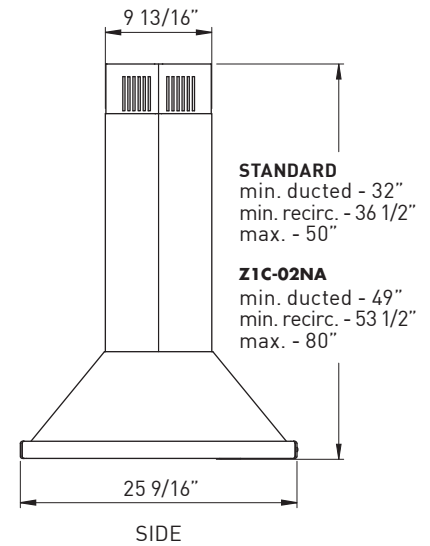
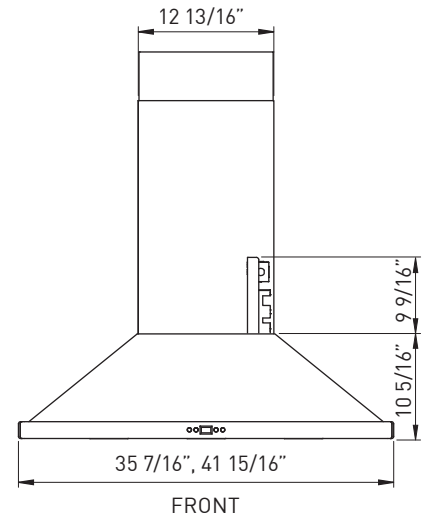
Napoli is a classic island range hood design. Strong with upwardly-angled walls, Napoli makes an impression in any kitchen. Upgraded with Zephyr's DCBL Suppression System® and Bloom™ HD LED light bulbs, Napoli is a technological achievement and a cut above the rest. Now including an enhanced Quick-Lock installation system with magnetic duct covers, Napoli is as easy to install as it is to enjoy.

	INTERNAL BLOWER STANDARD	ACT™ INTERNAL BLOWER with AIRFLOW CONTROL TECHNOLOGY™			
Min.-Max. CFM	250 - 715	Min.-Max. CFM	250 - 590	250 - 390	250 - 290
Min.-Max. Sones	0.8 - 5.8	Min.-Max. Sones	0.8 - 4.5	0.8 - 3	0.8 - 1.2

*ACT™ is a feature built into specific Zephyr hoods allowing you to limit the maximum blower CFM to meet local code requirements.*



<b>SIZE</b>	
ZNA-M90CS	36"
ZNA-E42CS	42"
<b>PERFORMANCE</b>	
INTERNAL, MIN.-MAX. BLOWER CFM	250 - 715
INTERNAL, MIN.-MAX. SONES	0.8 - 5.8
<b>COLOR</b>	
STAINLESS STEEL	SS
<b>FEATURES</b>	
CONTROLS	Electronic LCD
SPEED LEVELS	5 + Burst
AUTO DELAY-OFF	Yes
LIGHTING	Bloom™ HD LED 3W x 4
DUAL LEVEL LIGHTING	Yes
FILTERS	Baffle
RECIRCULATING OPTION	Yes
EXTENSION DUCT COVER OPTION	Yes, Up to 12' Ceiling
<b>DUCT SPECIFICATIONS</b>	
VERTICAL - INTERNAL	8"
HORIZONTAL - INTERNAL	NA
<b>AC INPUT</b>	
	120V - 60Hz
<b>AC POWER</b>	
	Max. 4A
<b>OPTIONAL ACCESSORIES</b>	
RECIRCULATING KIT	ZRC-02NA
EXTENSION DUCT COVER	Z1C-02NA
UNIVERSAL MAKE-UP AIR DAMPER	MUA008A
<b>MOUNTING HEIGHT*</b>	
	26" - 34"
<b>WARRANTY</b>	
	3 Years Parts, 1 Year Labor



Specifications subject to change, check [zephyronline.com](http://zephyronline.com) for up to date information.

<b>CEILING HEIGHT</b>		8'	8.5'	9'	9.5'	10'	10.5'	11'	12'
<b>STANDARD DUCT COVER</b>	Ducted Mounting Height*	26"-28"	26"-34"	26"-34"	28"-34"	34"-34"	NA	NA	NA
	Recirc. Mounting Height*	NA	26"-29.5"	26"-34"	28"-34"	34"-34"	NA	NA	NA
<b>EXTENSION DUCT COVER</b>	Ducted Mounting Height*	NA	NA	NA	26"-29"	26"-34"	26"-34"	26"-34"	28"-34"
	Recirc. Mounting Height*	NA	NA	NA	NA	26"-30.5"	26"-34"	26"-34"	28"-34"

\*Mounting height refers to distance between top of a 36" tall cooking surface and bottom of hood.