

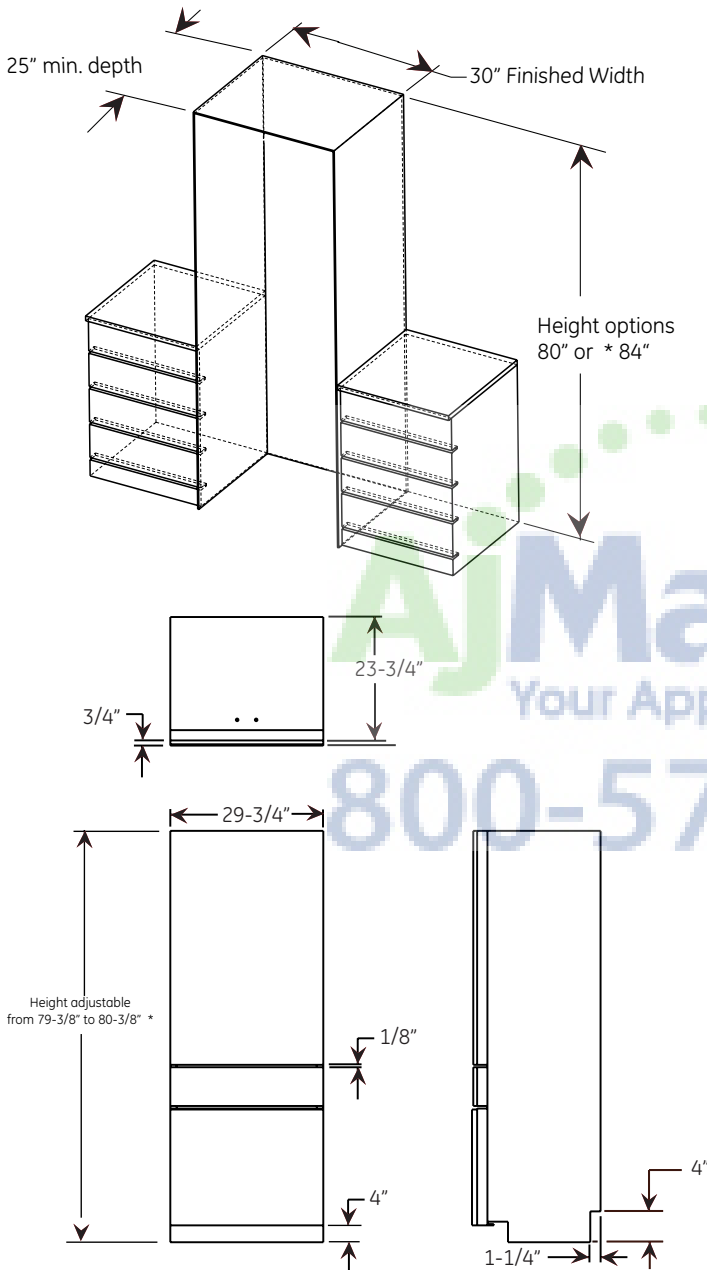
# ZIW30GNZII

## GE Monogram® 30" Fully Integrated Glass Door Wine Reserve with Convertible Drawer

### Dimensions and Installation Information (in inches)

#### The Installation Space

The finished cutout width must be 30".



#### The cutout depth must be 25" for flush installations.

- The front face of the wine reserve fits flush with 25" depth adjacent cabinets.

#### Electrical

A 115V, 60Hz., 15 or 20 amp power supply is required. An individual properly grounded branch circuit or circuit breaker is recommended. Install a properly grounded 3-prong electrical receptacle recessed into the back wall. Electrical must be located on rear wall as shown.

**Note:** GFI (ground fault interrupter) is not recommended.

#### Water Line

- A cold water supply is required for automatic icemaker operation. The water pressure must be between 40 and 120 p.s.i.
- Route 1/4" OD copper or GE SmartConnect™ plastic tubing between the house cold water line and the water connection location.
- Water line can enter an opening through the floor or back wall.
- Install a shut-off valve between the icemaker water valve and cold water supply in the home.

**Aj Madison**  
Your Appliance Authority™  
800-570-3355

For answers to your Monogram®, GE Profile™ or GE® appliance questions, visit our website at [geappliances.com](http://geappliances.com) or call GE Answer Center® service, 800.626.2000.



imagination at work



Listed by  
Underwriters  
Laboratories

# ZIW30GNZII

## GE Monogram® 30" Fully Integrated Glass Door Wine Reserve with Convertible Drawer

### Dimensions and Installation Information (in inches)

#### Customization Basics:

The wine reserve is factory set for a right hinged door swing. The door swing is reversible. Choose an RH model with hinge on the right side; the door swings left to right. Choose an LH model with hinge on the left side; the door will swing right to left.

#### Door Handles

Custom handles of your choice, supplied by your cabinetmaker, can be installed. If desired, you may order WR12X10988 Monogram® European stainless steel tubular handle kit for custom panels.

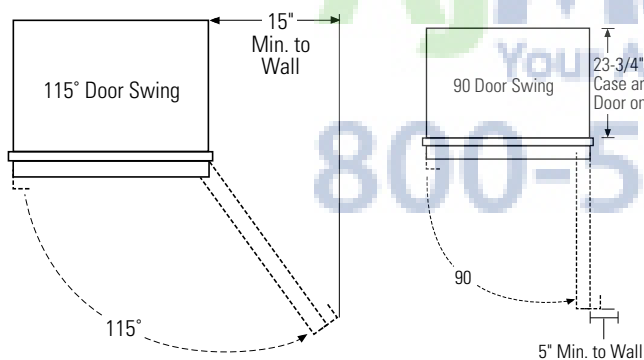
#### Optional Accessory Kits

ZUG30: For side-by-side installation

European Handle Kit: can be purchased through GE Parts store - WR12X10988

#### Door Swing Clearances

The installation must allow for clearances to adjacent walls or cabinets. These refrigerators are equipped with a 2-position door stop. The factory-set 115° door swing can be adjusted to 90° if clearance to adjacent cabinets or walls is restricted.

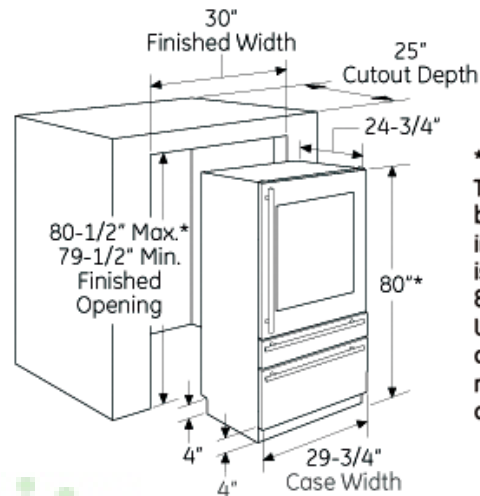


Allow 15" minimum clearances for a full 115° door swing.

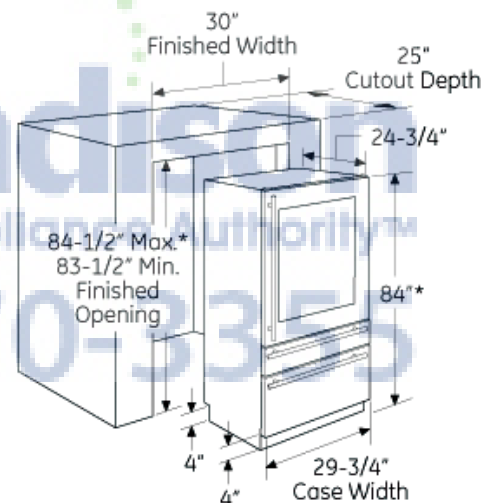
- 5" minimum clearance is required when the door swing is adjusted to 90°.
- See door swing illustrations to determine interaction with adjacent cabinets or countertops.

For answers to your Monogram®, GE Profile™ or GE® appliance questions, visit our website at [geappliances.com](http://geappliances.com) or call GE Answer Center® service, 800.626.2000.

### Product Dimensions



\* 80" high installation. The wine reserve can be adjusted to fit into a cutout that is 79-1/2" min. to 80-1/2" max. height. Use leveling legs and wheels for a maximum 1" height adjustment.



\* 84" high installation. The wine reserve can be adjusted to fit into a cutout that is 83-1/2" min. to 84-1/2" max. with the appropriate door kit. Use leveling legs and wheels for a maximum 1" height adjustment.



imagination at work



Listed by Underwriters Laboratories

# ZIW30GNZII

## GE Monogram® 30" Fully Integrated Glass Door Wine Reserve with Convertible Drawer

### Dimensions and Installation Information (in inches)

#### Stainless Steel Panel Accessory & Dimensions

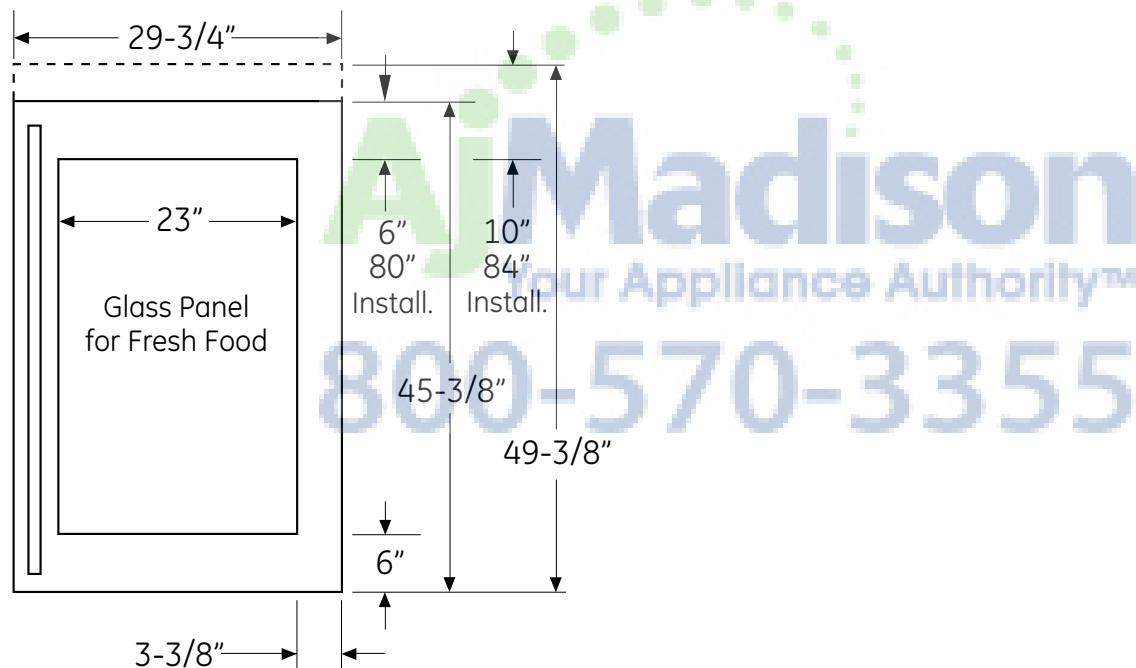
#### 3/4"-Thick Frame for Glass Door Options For 80" High Installation

- European - Panel Model ZKGT300N LH & RH capable
- Professional - Panel Model ZKGP300N LH & RH capable

**For 84" High Installation** The door panel is not reversible for the 84" installations. A left or right-hand door panel accessory must be purchased.

- LH European - Model ZKGT304NLH
- RH European - Model ZKGT304NRH
- LH Professional - Model ZKGP304NLH
- RH Professional - Model ZKGP304NRH

**Note:** Each kit also contains matching freezer and convertible drawer panels, handles and toekick.



\*Pro style window is slightly smaller.

For answers to your Monogram,® GE Profile™ or GE® appliance questions, visit our website at [geappliances.com](http://geappliances.com) or call GE Answer Center® service, 800.626.2000.



imagination at work



Listed by  
Underwriters  
Laboratories

# ZIW30GNZII

## GE Monogram® 30" Fully Integrated Glass Door Wine Reserve with Convertible Drawer

### Dimensions and Installation Information (in inches)

#### 3/4" CUSTOM PANEL DIMENSIONS:

##### 80" High Fully Integrated Installation

If you choose to install custom panels, they must be cut to the dimensions shown. The panels will attach to the door and drawers using a hook and bracket system.

**NOTE:** This product is designed to handle 3/4" panels that are made of wood.

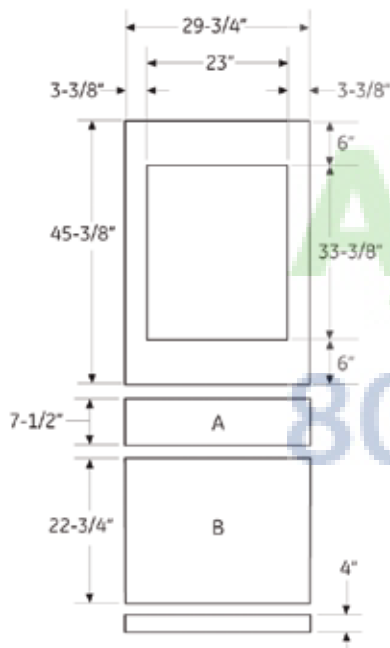
33-3/8" x 23" is the maximum opening for a glass window. The opening may be smaller if desired.

#### PANELS FOR GLASS DOOR AND DRAWERS

**IMPORTANT NOTE:** Maximum panel weight:

**A** Freezer Door Panel: 9 lbs.

**B** Convertible Food Door Panel: 19 lbs.



\*Styles must be a min 3-3/8" to cover aluminum door frame.

**Design Tip:** Some amount of each panel will be visible on the interior side of the unit. It is recommended that both sides of each panel be finished.

**Design Tip:** If using custom panels, a custom toe kick should be considered. The bottom of case is black.

For answers to your Monogram,® GE Profile™ or GE® appliance questions, visit our website at [geappliances.com](http://geappliances.com) or call GE Answer Center® service, 800.626.2000.

#### 3/4" CUSTOM PANEL DIMENSIONS:

##### 84" High Fully Integrated Installation

If you choose to install custom panels, they must be cut to the dimensions shown. The panels will attach to the door and drawers using a hook and bracket system.

**NOTE:** This product is designed to handle 3/4" panels that are made of wood.

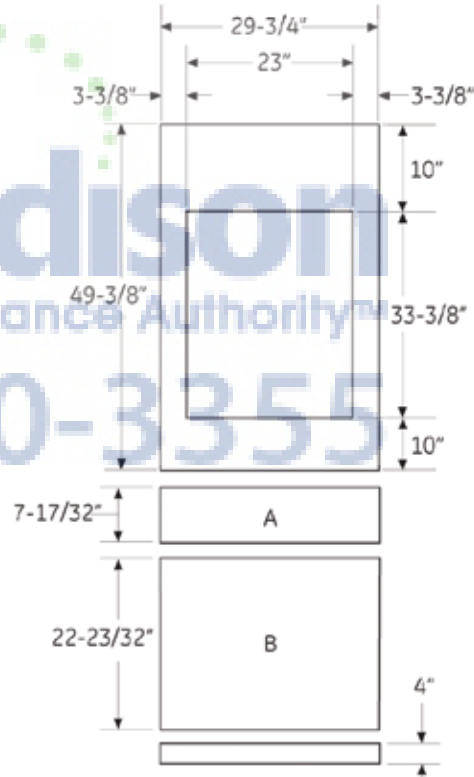
33-3/8" x 23" is the maximum opening for a glass window. The opening may be smaller if desired.

#### PANELS FOR GLASS DOOR AND DRAWERS

**IMPORTANT NOTE:** Maximum panel weight:

**A** Freezer Door Panel: 9 lbs.

**B** Convertible Food Door Panel: 19 lbs.



\*Styles must be a min 3-3/8" to cover aluminum door frame.

**Design Tip:** Some amount of each panel will be visible on the interior side of the unit. It is recommended that both sides of each panel be finished.

**Design Tip:** If using custom panels, a custom toe kick should be considered. The bottom of case is black.



imagination at work



Listed by  
Underwriters  
Laboratories

ZIW30GNZII

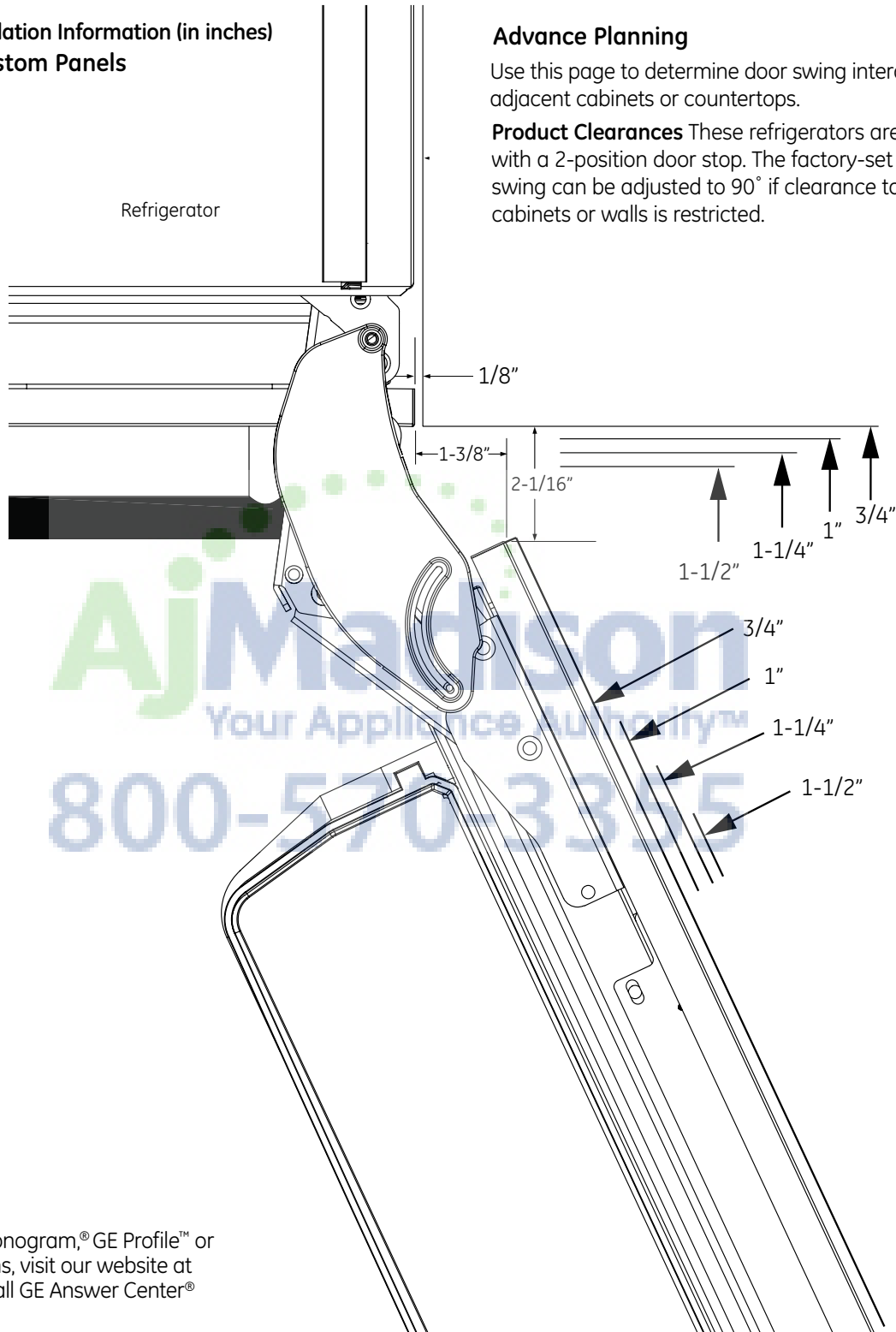
# GE Monogram® 30" Fully Integrated Glass Door Wine Reserve with Convertible Drawer

Dimensions and Installation Information (in inches)  
SS European or Custom Panels  
Top View  
115° DOOR SWING  
(factory setting)

## Advance Planning

Use this page to determine door swing interaction with adjacent cabinets or countertops.

**Product Clearances** These refrigerators are equipped with a 2-position door stop. The factory-set 115° door swing can be adjusted to 90° if clearance to adjacent cabinets or walls is restricted.



For answers to your Monogram,® GE Profile™ or GE® appliance questions, visit our website at [geappliances.com](http://geappliances.com) or call GE Answer Center® service, 800.626.2000.



imagination at work



Listed by  
Underwriters  
Laboratories

ZIW30GNZII

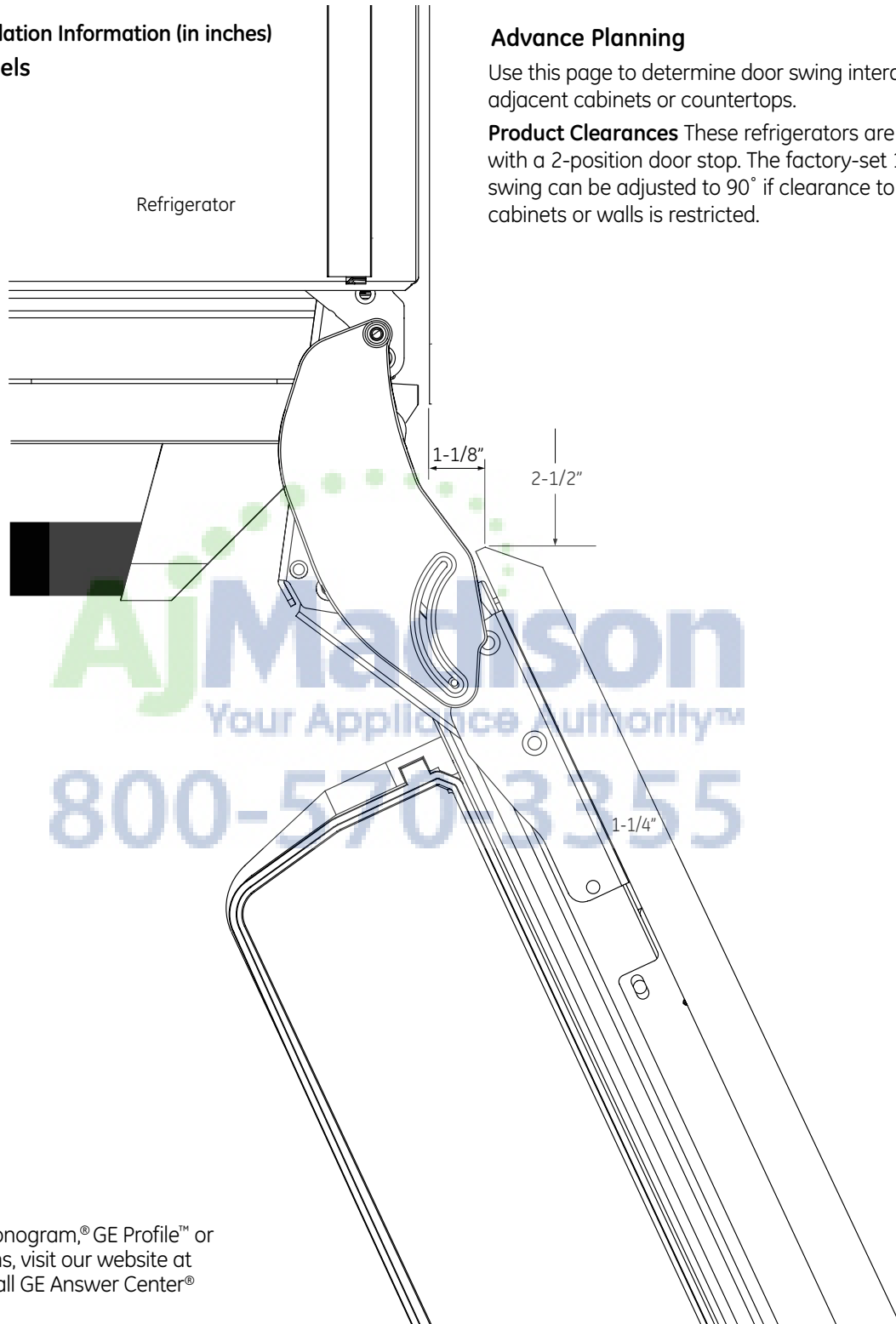
# GE Monogram® 30" Fully Integrated Glass Door Wine Reserve with Convertible Drawer

Dimensions and Installation Information (in inches)

SS Professional Panels

Top View

115° DOOR SWING  
(factory setting)



## Advance Planning

Use this page to determine door swing interaction with adjacent cabinets or countertops.

**Product Clearances** These refrigerators are equipped with a 2-position door stop. The factory-set 115° door swing can be adjusted to 90° if clearance to adjacent cabinets or walls is restricted.

For answers to your Monogram,® GE Profile™ or GE® appliance questions, visit our website at [geappliances.com](http://geappliances.com) or call GE Answer Center® service, 800.626.2000.



imagination at work



Listed by  
Underwriters  
Laboratories

# ZIW30GNZII

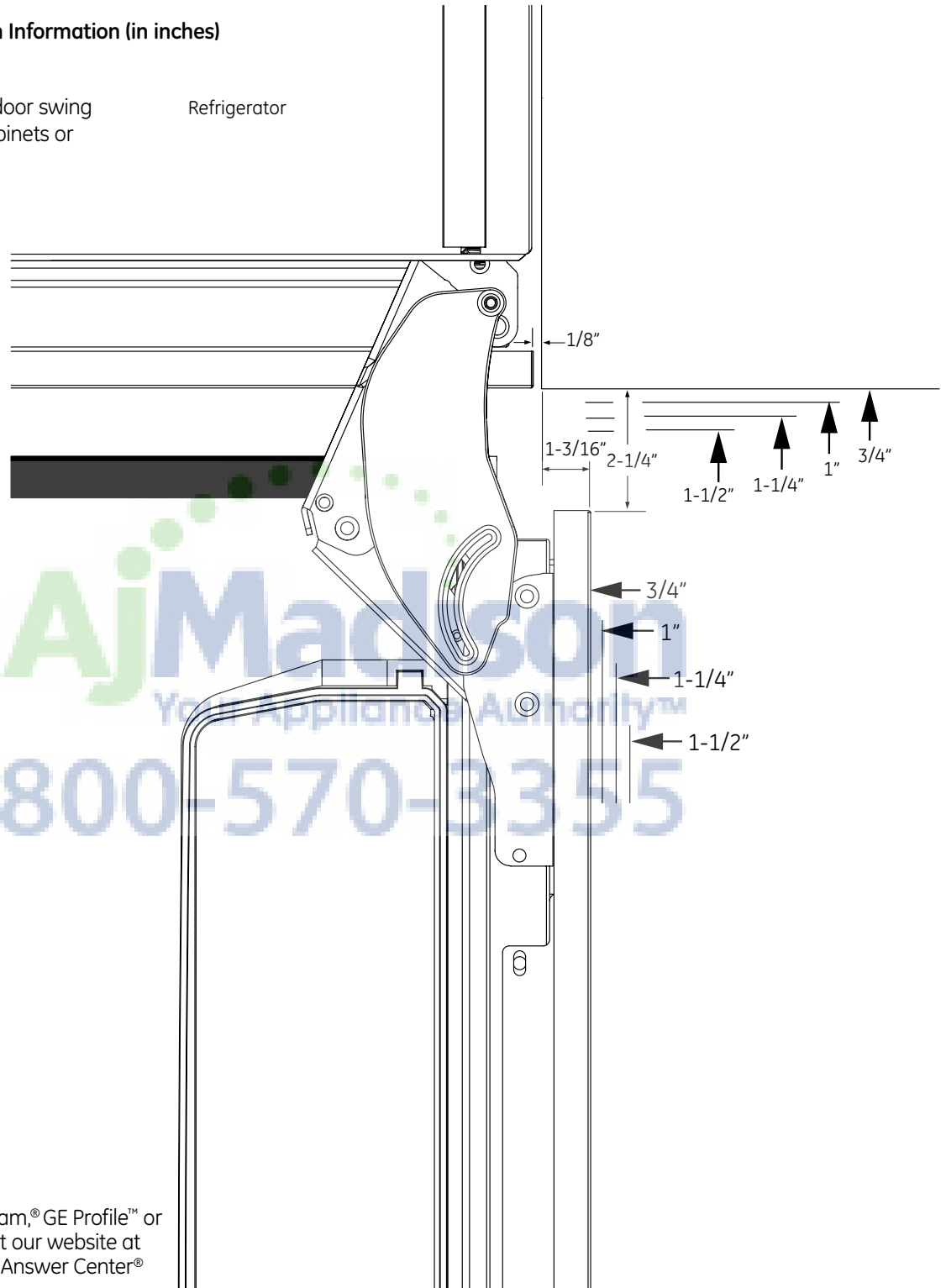
## GE Monogram® 30" Fully Integrated Glass Door Wine Reserve with Convertible Drawer

### Dimensions and Installation Information (in inches)

#### Advance Planning

Use this page to determine door swing interaction with adjacent cabinets or countertops.

**SS European or Custom Panels**  
**Top View**  
**90° DOOR SWING**  
**(optional setting)**



For answers to your Monogram,® GE Profile™ or GE® appliance questions, visit our website at [geappliances.com](http://geappliances.com) or call GE Answer Center® service, 800.626.2000.



imagination at work



Listed by  
Underwriters  
Laboratories

ZIW30GNZII

# GE Monogram® 30" Fully Integrated Glass Door Wine Reserve with Convertible Drawer

## Dimensions and Installation Information (in inches)

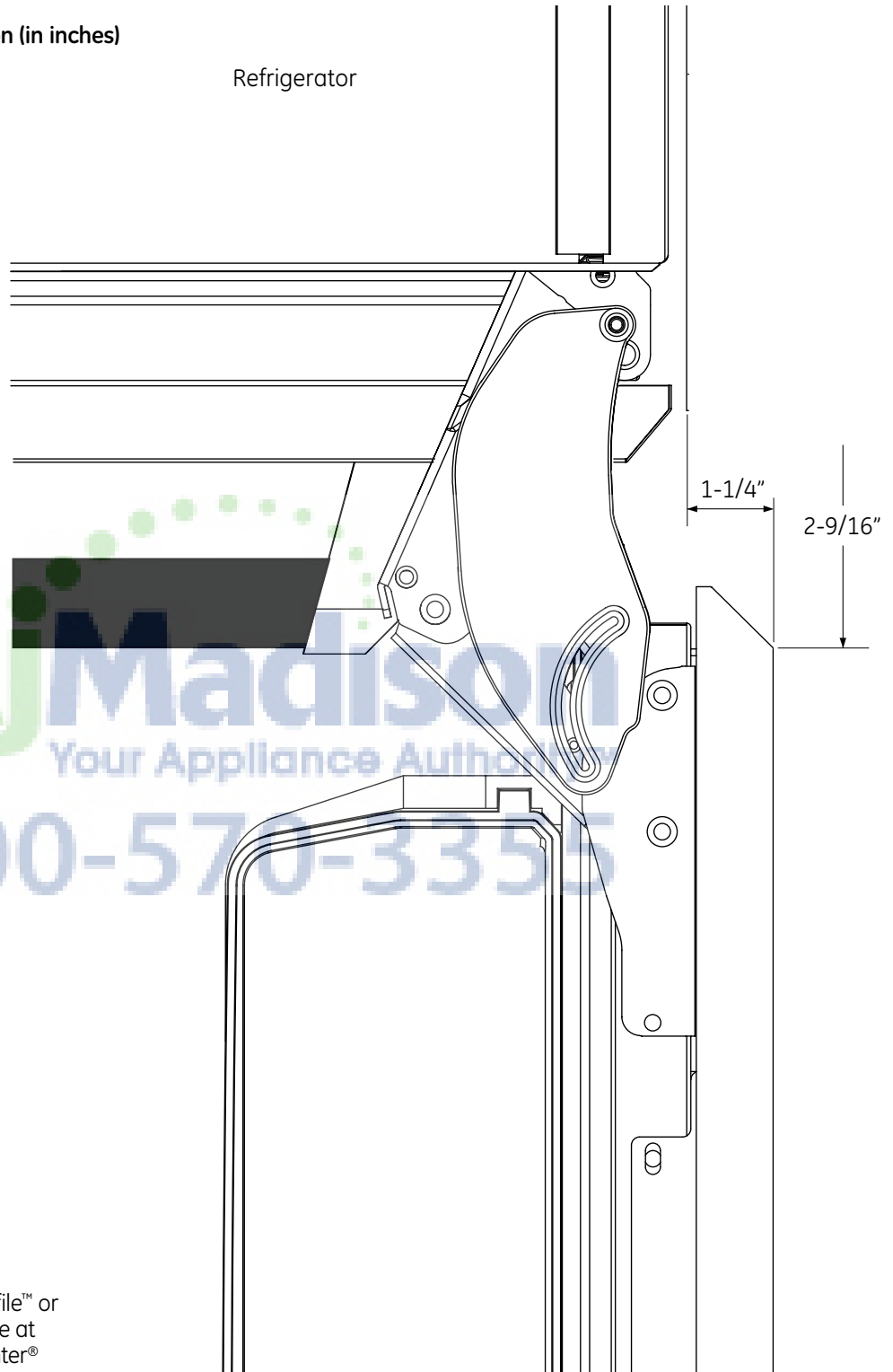
### Advance Planning

Use this page to determine door swing interaction with adjacent cabinets or countertops.

### SS Professional Panels

Top View  
90° DOOR SWING  
(optional setting)

Refrigerator



For answers to your Monogram,® GE Profile™ or GE® appliance questions, visit our website at [geappliances.com](http://geappliances.com) or call GE Answer Center® service, 800.626.2000.



imagination at work



Listed by  
Underwriters  
Laboratories

# ZIW30GNZII

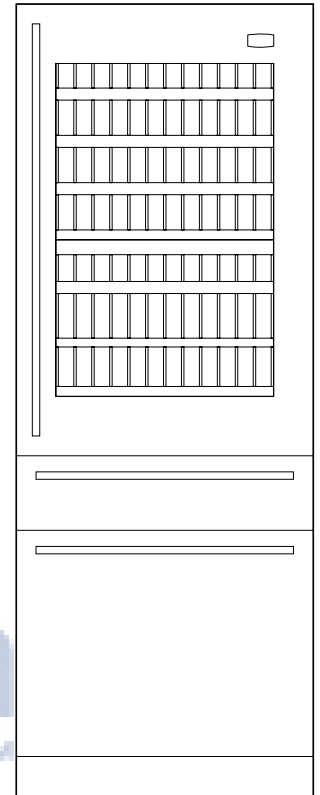
## GE Monogram® 30" Fully Integrated Glass Door Wine Reserve with Convertible Drawer

Dimensions and Installation Information (in inches)

### Features and Benefits

- Integrated, panel-ready design - Blends seamlessly with surrounding cabinetry and accepts stainless steel European- or Professional-style panels in 80- or 84-inch heights, ordered separately from Monogram
- Two-zone upper compartment - Allows you to create separate temperature-controlled zones (each variable from 40°F to 65°F) to match your wine storage needs, whether it's keeping red and white wines at optimum serving temperatures or allowing some bottles to age while also having ready-to-drink options on hand
- Convertible lower drawer - With independent temperature controls can be used to store fresh food, frozen foods, wine or beverages
- GE unveils first HFC-free refrigerator in the U.S. - To use a R600a refrigerant, which has a lower global warming impact than ozone-depleting hydrofluorocarbon (HFC) refrigerants commonly used in household refrigerators
- Freezer drawer with electronic icemaker - Includes a removable ice bin and scoop and accommodates everyday freezer items, such as pints of ice cream
- Storage for up to 106 wine bottles - Possible when wines are also placed in the refrigerator's lower convertible drawer
- LED interior lighting - Gradually brightens and dims when door or drawer is opened and closed, providing clean white illumination that's both attractive and energy-efficient. Side and top lighting in the upper compartment enhances visibility
- Soft-close, full-extension wine racks - Provide smooth and easy access to wine bottles
- Illuminated, electronic glass-touch controls - Make it easy to adjust interior lighting, temperature (Fahrenheit or Celsius), control lock and other settings for all three climate zones
- GE water filtration system - Provides clean, fresh-tasting ice cubes
- Wine racks (7 total, one adjustable for display) - Made with stainless steel and FSC-certified beechwood provide beautiful platforms for showcasing your fine wines
- Soft-close freezer and convertible drawers - Smoothly and quietly slide into a secure shut position

For answers to your Monogram,® GE Profile™ or GE® appliance questions, visit our website at [geappliances.com](http://geappliances.com) or call GE Answer Center® service, 800.626.2000.



imagination at work