

GE Monogram® 48" Built-In Side-by-Side Refrigerator with Dispenser



Model# ZISB480DX



- Halogen Light Columns - Located in the freezer and fresh food compartments, extend the full length of the interior compartments providing brilliant, all-level illumination
- LED Lighting - Located at the top of the fresh food compartment, and inside the high-humidity and climate-control drawers, illuminates contents without compromising space
- Advanced Temperature Management System with Multi-Shelf Air Tower - Provides even distribution of air throughout the refrigerator
- Climate-Control Drawer - Allows you to express-chill beverages, express-thaw meats and select specific temperatures for perishable foods
- Dispenser with Proximity Sensor - Designed to accommodate glassware of all sizes, from pitchers to tumblers; control graphics light up as you approach and automatically switch off when you walk away
- Humidity-Controlled Vegetable Drawer - Helps preserve the freshness of foods
- Gallon-Size Door Bin - Holds milk containers, two-liter bottles and pitchers
- Adjustable Spillproof Glass Shelves - Easily accommodate party trays and platters
- Drop-Down Shelf - Provides additional space for a casserole dish or pizza box
- Adjustable Deli Drawer on Full-Extension Slides - Keeps meats, cheeses and other everyday foods within easy

FEATURES

Energy Star® Qualified	Yes
Defrost Type	Auto
Electronic Sensors	Yes
Interior Lighting	Halogen Light Towers, Top LED and Pan LED Lighting
Multi-Shelf Air Management Tower	Yes
Upfront Electronic Digital Temperature Display	Yes
Automatic Ice maker	Factory-Installed
Disappearing Electronic Glass Touch Dispenser Controls	with Proximity Sensor
Dispenser	Extra-Tall w/ Cubes, Crushed Ice & Chilled Water
Dispenser Child Lock	Yes
Dispenser Light	Yes
Door Alarm	Yes
GE Water Filtration	1 Year
Water Filter Indicator Light	Yes
Clear Lexan Bins and Pans	Yes
Climate Control Drawer	Express Chill, Express Thaw, Select Temp
Deli Drawer	Adjustable Sealed
Produce Drawer	High Humidity Sealed
Adjustable Door Bins	4
Adjustable Spillproof Glass Shelves	Yes
Fresh Food Cabinet Shelves - Adjustable	5
Gallon Door Storage	Yes
Butter Dish	Glass Covered
Dairy Compartment	Sealed
Wine Caddy	Yes
Freezer Cabinet Shelves (Wire)	5 Adjustable
Freezer Door Bins	3
Freezer Utility Baskets	2
Sabbath Mode Kit	Optional - ZSAB1
Exterior Style	Built-In

reach

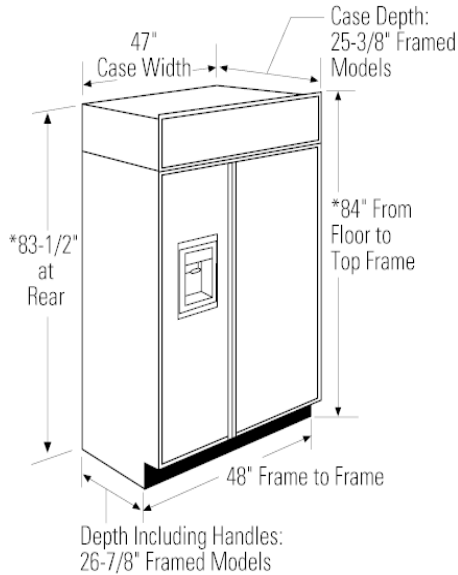
- Dairy Bin with Center Divider - Has a unique magnetic seal that locks in freshness
- Adjustable Door Bins - Can be moved to one of two positions in seven locations
- GE® Water Filter - Has been moved from the fresh food compartment to the overhead cabinet, where it is discreetly out of sight
- Filter-Change Indicator Light - Located on the upfront control panel, provides a visual reminder when it's time to replace the filter for the water dispenser

To locate a GE Monogram dealer, call 1-800-626-2000

GE Monogram® 48" Built-In Side-by-Side Refrigerator with Dispenser



Model# ZISB480DX



APPROXIMATE DIMENSIONS (HxDxW)

- 84 in x 25 3/8 in x 48 in

CAPACITY

- Total Capacity (cubic feet) 30.10 cu ft
- Fresh Food Capacity 17.60 cu ft
- Freezer Capacity 12.50 cu ft

WARRANTY

- Parts Warranty - Limited 2-year entire appliance
Limited 5-year sealed refrigerating system
Limited 12-year sealed refrigerating system
- Labor Warranty - Limited 2-year entire appliance
Limited 5-year sealed refrigerating system
- Warranty Notes - For models produced on or after January 1, 2006
See written warranty for full details

To locate a GE Monogram dealer, call 1-800-626-2000