

GE Monogram® 36" Built-In Side-by-Side Refrigerator



Model# ZIS360NX



- Halogen Light Columns - Located in the freezer and fresh food compartments, extend the full length of the interior compartments providing brilliant, all-level illumination
- LED Lighting - Located at the top of the fresh food compartment, and inside the high-humidity and climate-control drawers, illuminates contents without compromising space
- Advanced Temperature Management System with Multi-Shelf Air Tower - Provides even distribution of air throughout the refrigerator
- Climate-Control Drawer - Allows you to express-chill beverages, express-thaw meats and select specific temperatures for perishable foods
- Humidity-Controlled Vegetable Drawer - Helps preserve the freshness of foods
- Gallon-Size Door Bin - Holds milk containers, two-liter bottles and pitchers
- Adjustable Spillproof Glass Shelves - Easily accommodate party trays and platters
- Drop-Down Shelf - Provides additional space for a casserole dish or pizza box
- Adjustable Deli Drawer on Full-Extension Slides - Keeps meats, cheeses and other everyday foods within easy reach
- Dairy Bin with Center Divider - Has a unique magnetic seal that locks in freshness
- Adjustable Door Bins - Can be moved to one of two

FEATURES

| | |
|--|--|
| Defrost Type | Auto |
| Electronic Sensors | Yes |
| Interior Lighting | Halogen Light Towers, Top LED and Pan LED Lighting |
| Multi-Shelf Air Management Tower | Yes |
| Upfront Electronic Digital Temperature Display | Yes |
| Automatic Icemaker | Factory-Installed |
| Door Alarm | Yes |
| GE Water Filtration | 1 Year |
| Water Filter Indicator Light | Yes |
| Clear Lexan Bins and Pans | Yes |
| Climate Control Drawer | Express Chill, Express Thaw, Select Temp |
| Deli Drawer | Adjustable Sealed |
| Produce Drawer | High Humidity Sealed |
| Adjustable Door Bins | 4 |
| Adjustable Spillproof Glass Shelves | Yes |
| Fresh Food Cabinet Shelves - Adjustable | 5 |
| Gallon Door Storage | Yes |
| Butter Dish | Glass Covered |
| Dairy Compartment | Sealed |
| Wine Caddy | Yes |
| Freezer Cabinet Shelves (Wire) | 5 Adjustable |
| Freezer Door Bins | 5 |
| Freezer Utility Baskets | 2 |
| Sabbath Mode Kit | Optional - ZSAB1 |
| Exterior Style | Built-In |

positions in seven locations

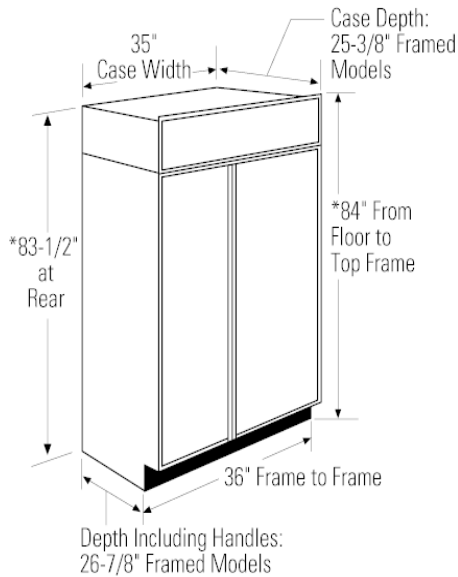
- GE® Water Filter - Has been moved from the fresh food compartment to the overhead cabinet, where it is discreetly out of sight
- Filter-Change Indicator Light - Located on the upfront control panel, provides a visual reminder when it's time to replace the filter for the water dispenser

To locate a GE Monogram dealer, call 1-800-626-2000

GE Monogram® 36" Built-In Side-by-Side Refrigerator



Model# ZIS360NX



APPROXIMATE DIMENSIONS (HxDxW)

- 84 in x 25 3/8 in x 36 in

CAPACITY

- Total Capacity (cubic feet) 21.00 cu ft
- Fresh Food Capacity 11.70 cu ft
- Freezer Capacity 9.30 cu ft

WARRANTY

- Parts Warranty - Limited 2-year entire appliance
Limited 5-year sealed refrigerating system
Limited 12-year sealed refrigerating system
- Labor Warranty - Limited 2-year entire appliance
Limited 5-year sealed refrigerating system
- Warranty Notes - For models produced on or after January 1, 2006
See written warranty for full details

To locate a GE Monogram dealer, call 1-800-626-2000