

# GE Monogram® 36" Built-In All Refrigerator



Model# ZIRS360NXRH



- Integrated appearance with Premium-Grade Stainless Steel - Extending across the door and wrapping beautifully around the edges; A Monogram signature, slim tubular handle enhances the overall look
- Enhanced Temperature Management System - With precise electronic controls and thermistors, maintains ideal storage conditions for fresh foods
- Concealed Halogen Lighting System - Illuminates contents without compromising space
- ENERGY STAR® Qualification - As an ENERGY STAR® partner, GE has determined that Monogram all-refrigerators meet the ENERGY STAR guidelines for energy efficiency
- Humidity-Controlled Compartments and Sealed Snack Drawers - Help preserve the freshness of foods
- Adjustable Spillproof Glass Shelves - Easily accommodate party trays and platters
- Gallon-Size Door Bin - Holds milk containers, two-liter bottles and pitchers
- Sealed Dairy Compartment - Locks in freshness

## FEATURES

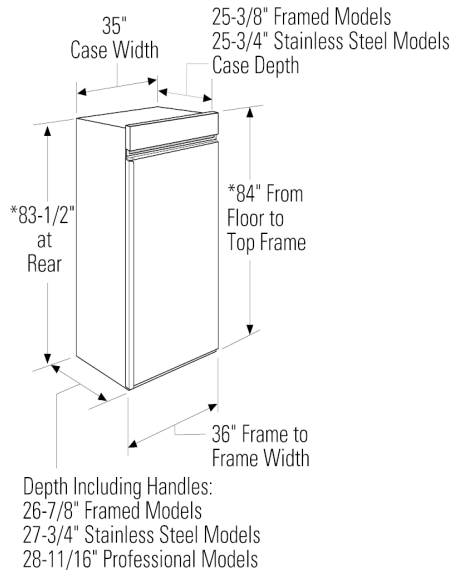
Energy Star® Qualified	Yes
Sealed System Design	Auto Defrost
Upfront Electronic Digital Temperature Display	Yes
Fresh Food Cabinet Shelves - Total Number of Shelves	7
Adj. Humidity Produce Pans	2 Lg. w/ Easy Access Lid w/ Full Exten. Slides
Butter Dish	Glass Covered
Dairy Compartment	2 Sealed
Fresh Food Cabinet Shelves - Adjustable	6 Adj., 1 Full-Width Fixed
Fresh Food Cabinet Shelves - Spill Proof	Yes
Fresh Food Door Shelves	4 (2 w/Gal. Storage)
Snack Drawer	2 Regular; Sealed w/ Full-Extension Slides
Wine Caddy	Yes
Wire Baskets	4 Large with Full Extension Slides
Defrost Type	Automatic Defrost
130 Deg. Door Stop	Yes

To locate a GE Monogram dealer, call 1-800-626-2000

# GE Monogram® 36" Built-In All Refrigerator



Model# ZIRS360NXRH



## APPROXIMATE DIMENSIONS (HxDxW)

- 84 in x 26 3/4 in x 36 in

## CAPACITY

- Total Capacity (cubic feet) 21.40 cu ft

## WARRANTY

- Parts Warranty - Limited 2-year entire appliance  
Limited 5-year sealed refrigerating system  
Limited 12-year sealed refrigerating system
- Labor Warranty - Limited 2-year entire appliance  
Limited 5-year sealed refrigerating system
- Warranty Notes - For models produced on or after January 1, 2006  
See written warranty for full details

To locate a GE Monogram dealer, call 1-800-626-2000